

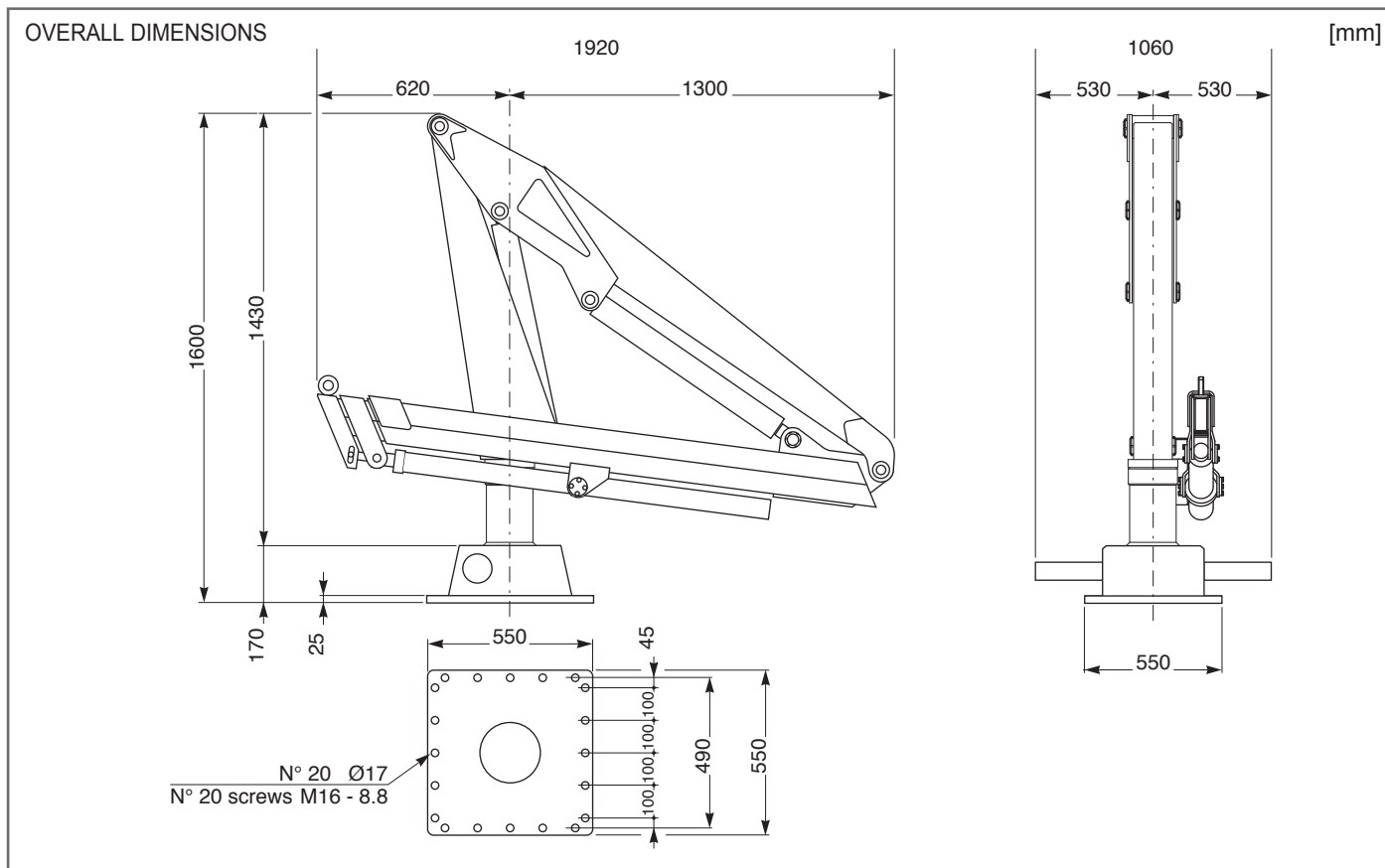


Custom Built Marine & Offshore Cranes

FULLY FOLDABLE CRANE

HLM 2-2S MODEL

TECHNICAL SPECIFICATION



TECHNICAL DATA

Hydraulic extensions	N°	2	Empty weight of the crane	kg	440
Net lifting moment	t-m	2,5	Recommended amount of oil	lt	75
Slewing torque	kg-m	300	Slewing speed	rpm	1
Slewing angle (continuous)	°	360	Main boom lifting time	sec	15
Pump capacity	lt/min	15	Secondary boom articulation time	sec	15
Max working pressure	bar	200	Boom element extension time	sec	20

STANDARD FEATURES

AVAILABLE OPTIONS

	600 kg direct pull winch rope Ø 7
	Winch limit switch
	Load limiting device
	Moment limiting device
	Size 1 electrohydraulic power pack (5,5 kW)
	Control panel out of the crane
	1st manual extension 60 kg @ 6,74 m

June 2014

HLM2-2S Rev.00

The technical data contained in this card are only indicative and can be changed without notice.

HEILA CRANES S.p.A. | Via Romana 34/6 - 42028 Poviglio (RE) Italy | info@heila.com | www.heila.com



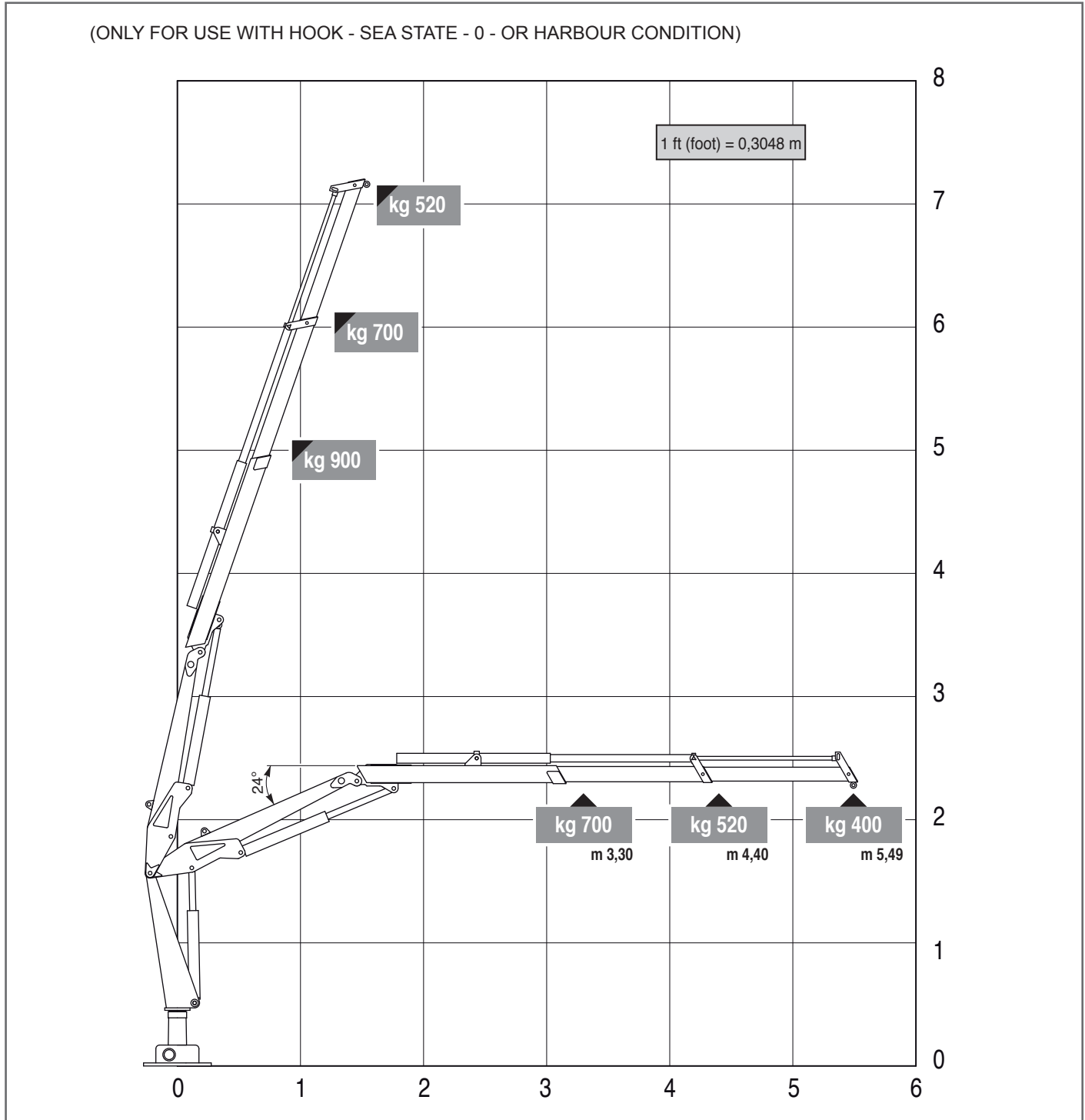
Custom Built Marine & Offshore Cranes

FULLY FOLDABLE CRANE

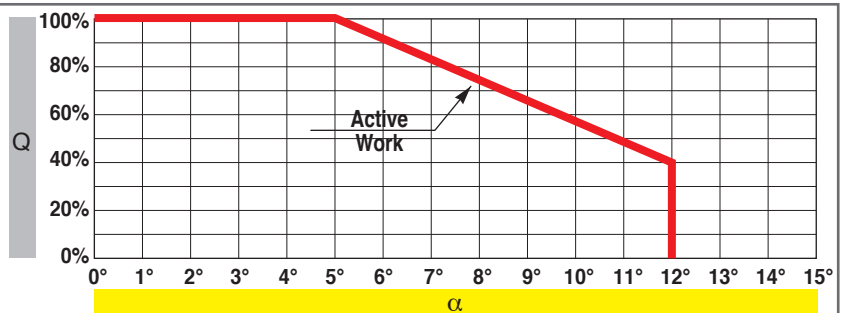
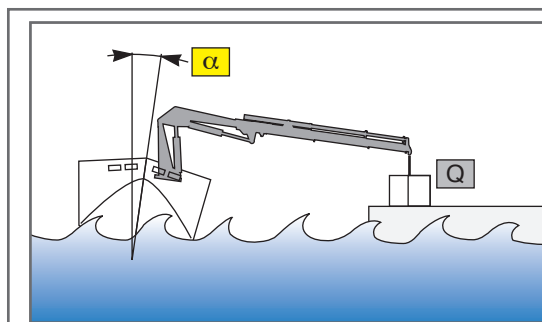
HLM 2-2S MODEL

TECHNICAL SPECIFICATION

(ONLY FOR USE WITH HOOK - SEA STATE - 0 - OR HARBOUR CONDITION)



June 2014



The technical data contained in this card are only indicative and can be changed without notice.

HLM2-2S Rev.00