



P&H® *Century 128*

Designed and manufactured by Century II, Inc.

Rough Terrain Crane 28Ton Maximum Capacity 137 Feet (41.8 m) Maximum Tip Height

Built to Celebrate Over a Century of Quality and Service

Superior lifting performance provided by P&H rectangular full depth four-plate boom welded inside and out.

Choice of boom attachments - with lattice extension, telescoping lattice extension, or "A" frame jib options. Lattice extensions can be offset 22°.

Total operator comfort means less fatigue and greater production. Spacious cab has convenient placement of controls, lots of leg and elbow room, and full vision of work.

A duty-cycle machine - powerful two-speed P&H winches offer high line speeds and pull. Four pump hydraulic system has optimum flow for fast crane functioning. *No derating of capacities on powered boom or 25 foot lattice extension for bucket work.*

Heavy-duty electrical system is built for maximum reliability. Triple-sealed electrical connectors protect against corrosion and vibration. Environmentally protected switches, relays and solenoids.

Less downtime - The industry's most serviceable crane is engineered for maximum reliability of all systems, parts commonality, accessibility, and easy maintenance.

Takes the bounce out of travel - exclusive P&H Easy Ride® shock-absorbing device cancels vehicular bouncing motion during travel between jobs.



Specifications



Specifications

ITEM NO.

This P&H crane meets the requirements of ANSI B30.5c-1987. Boom Structure (boom, lattice extension and jib) has been tested per SAE J1063, machine stability tested per SAE J765. LOAD RATINGS shown apply only to machine as manufactured by Century II, Inc.

BASIC MACHINE

Boom



Boom: All boom sections are of full depth rectangular four plate construction, welded inside and out, with adjustable slider pads on top, bottom and sides. All powered sections are single lever controlled. Block type semi-fixed telescope cylinder mounts provide ample capacity to telescope loads.

Boom point contains one idler sheave with bronze bushing and four load sheaves with roller bearings. Sheaves are 11.88" (301.7mm) pitch diameter.

Standard Boom: 91' (27.74M) four (4) section boom with manual section, 29' (8.8M) retracted length, 91' (27.74M) extended length, consisting of one base section, two hydraulically powered "first" and "second" sections, and one manually pinned section that can be hydraulically extended or retracted.

For performance characteristics, see Chart No.3: Range Diagram 91' Boom and Chart Nos.5 and 6: Lifting Capacities, 91" Boom.

(See Options for 72 foot boom).

(For enhanced performance, see Boom Options and Accessories).

Counterweights (as furnished)

For 91' boom w/o auxiliary hoist - 8300 lbs.(3765kg)
w/ auxiliary hoist - 7800 lbs.(3538kg)
For 72' boom w/o auxiliary hoist - 7300 lbs.(3311kg)
w/ auxiliary hoist - 6800 lbs.(3084kg)

Upperstructure

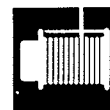


Operator's Cab: All-weather environmental cab of steel has hinged tinted ceiling window, slide-by right side window, locking slide-by door and large windows with a full view in all directions. Safety glass used throughout. Operator's three-way adjustable seat has torsion suspension and seat belt. Cab is 33.5" (850mm) wide with a stand-up height of 56" (1422mm) and is cushioned mounted for vibration dampening and noise reduction.

Cab Equipment (Standard): Cab contains all roading and crane function controls. Front console includes gauges for engine water temperature, engine oil pressure, transmission clutch pressure, transmission oil temperature, hydraulic oil temperature, air pressure, and fuel. Also includes hour meter, voltmeter, winch high speed indicators, electric anti-two-block warning indicator, windshield wiper, fire extinguisher, electric horn, tachometer, speedometer, rearview mirror and dash light.



Controls: In front of operator are foot pedals for boom hoist, swing brake, service brakes, and engine throttle. Far left of steering wheel are console mounted double-acting levers for swing and telescope. At the right are levers for auxiliary winch (optional), main winch and boom hoist. Drum rotation indicators (optional) are mounted on auxiliary and main winch levers and an optional directional indicator (emergency flasher) switch on steering column. At operator's front console are mounted switches for optional starting aid, master ignition, engine start, optional windshield wiper, optional master lights. At operator's right are console mounted switches for emergency/parking brake, defroster (optional), hi-low transmission range, steering mode selection and outrigger controls, circular level, gear range selector switch, forward-reverse selector lever, hand throttle, swing brake lever, travel stabilizer switch (Easy Ride), and house lock lever. Console has pre-wired, removable modules for ease of service.



Main Winch: P&H model 1080 two speed, mounted on rear of upper frame. Planetary gearing with equal speed power raising and lowering. Infinitely variable controlled speed. Spring applied, hydraulically released load holding multiple disc brake is automatic. Complete with 425' (130M) wire rope.

Drum: 10.75" (273mm) P.D. X 16.5" (419mm) wide with 16.75" (425mm) dia. flanges.

Wire Rope (Standard): 1/2" (13mm) dia. 6x25 extra improved plow steel,

with 7x7 I.W.R.C.

(See options, page 4, for spin resistant rope).

See Chart No. 24, Hoist Reeving, for rope capacities and parts of line required.

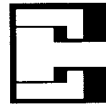
Drum Capacity: 543 ft. (165M) 5 layers.

Line Pull (Max.): 10,263 lbs. (4,655kg) 1st layer.

Line Pull (Permissible - based on strength of wire rope): 7,600 lbs. (3,454kg) 6x25 cable.

Line speed Up (max.): 404 fpm (123M/m) 5th layer.

(See options for Auxiliary Winch)



Boom Hoist: One 11.04" (280mm) bore X 58.0" stroke cylinder, double-acting. Hydraulically powered raising and lowering with holding valve. Cylinder has internal accumulator providing a stabilizing "Easy Ride" when roading machines. Stabilizer is controlled from operator's cab.

Boom Telescope: Two 5.29" (134mm) I.D. - double-acting for powered sections. Hydraulically powered extending and retracting with holding valve.

Hydraulic System: System utilizes two tandem gear type pumps. One tandem pump, operating at 2650 rpm, provides 44 gpm (166 lpm) to the main and/or auxiliary winches and 44 gpm (166 lpm) to the boom hoist and boom telescope cylinders. A second tandem pump, operating at 2650 rpm, provides 27 gpm (102 lpm) to the swing circuit and 27 gpm (102 lpm) for the steering, winch boost and outrigger circuits. Total flow at 2650 engine rpm is 142 gpm (536 lpm). All hydraulic oil is filtered to 7 microns on return to the reservoir. Maximum pressure drop of return filter with clean element and oil at normal operating temperature is 25% of by-pass setting to assure minimum fluid resistance and power loss while protecting seals in cylinders, valves and motors.

The 90 gal. (340 l) reservoir is located on the left side of the carrier. Pumps, valves, cylinders and motors are readily accessible and easy to service. Control valves are four-way, three-position type with low effort spools and pilot-operated relief valves for quick, smooth response. Swing circuit has pressure compensated valve for swing metering control. Cable linkag connects valve to control levers. Hydraulic oil cooler is standard.



Swing Unit: Hydraulic motor driving through gear reducer to pinion gear, 360° continuous rotation to 3.9 rpm.

Swing Gear: External cut spur gear 39.667" (100.75cm) P.D.

Swing Brake: Spring applied, hydraulically released, dry disc brake, integral with swing reducer. Hand brake control lever mounted on side console. A manual foot pedal applies brake for static holding.

House Lock: Single position (front) pin-in-hole lock manually engaged with house lock lever.

Fastening to Lower: Single row ball bearing integral with swing gear. Welded to carrier frame and bolted to rotating frame. Bearing is protected from dust by labyrinth seal.

Rotary Manifold: Sealed rotary swivel for air and hydraulic hose connections between rotating upper and carrier. Quickly removable from above or below for servicing. Electrical swivel is mounted on top of air and hydraulic swivel.

Carrier



Carrier: 4x4x4 (Four wheels drive. Four wheels steer) - for rough terrain with limited turning area.

Frame: All welded unitized construction assures rigidity and permanent alignment of swing bearing and rotating upper machinery. Fabricated of rectangular structural tubing main frame beams of high strength 45,500 psi (3200kg/sq. cm) minimum yield steel and reinforced with rectangular box cross members of high strength 47,000 psi (3300 kg/ sq. cm) minimum yield steel.



Hydraulic Outriggers: Four (4) independent assemblies that hydraulically extend out horizontally from carrier frame and down vertically to form a stable working platform. Four (4) double-acting hydraulic cylinders provide independent horizontal beam movement and four (4) provide vertical rod movement. Vertical cylinders are equipped with holding valves.



Cylinders are actuated by electric solenoid directional control valves operated from cab console switches. Beams are rectangular box members of high strength 79,600 psi (5600 kg/cm²) minimum yield steel. Four (4) fabricated 14" (35.6cm) sq. floats are removable and stored on the frame. Extended spread is 18'-0" (5.4M) from C/L to C/L of verticle cylinders Retracted within carrier width of 8'-0" (2.44M).



Steering Options: (A) Front axle steer - hydrostatic power system fully controlled by steering wheel; (B) Front and rear axle steer - hydrostatic power system fully controlled by steering wheel for front and rear axles. Two wheel, four wheel and crab steer mode selection is controlled by three-position sealed switch located in cab on side console. Center position of switch locks position of rear wheels and only front wheels are steerable. The amount of rear wheel turn is controlled by steering wheel.

Front axle: Steer and drive or non-drive axle driven through differential with planetary in hubs. Axle rigid mounted with power steering.

Rear Axle: Steer and drive axle driven through differential with planetary in hubs. Power steering, with optional no-spin differential. Axle is pivot mounted with automatic hydraulic lockout cylinders to prevent oscillation (vertical movement of axle). Total oscillation attainable is 8" (20.3cm).

Service Brakes: Air over hydraulic brakes on all four wheels, internal expanding shoe type, actuated by foot pedal in cab.

Parking Brake: Spring-set air chamber on drum brake on output yoke of transmission. Spring set and air release.

Tires: Standard - 20.5x25 - 20 PR Tubeless Sure Grip Lug Wide Base (E-2) See Chart Nos.13-23 for "On Rubber" lifting capacities . Alternate tires and spares available. See Options.

Miscellaneous Equipment (Standard): Sliding engine hood, tow lugs, hydraulic pump disconnect, automatic moisture ejector for air system, oil to air transmission cooler, front axle disconnect and oil to air hydraulic oil cooler. Additional accessories listed under Options.



Power Plant: (Standard)

Make	Cummins
Model	6BT5.9
Type	Diesel
Cylinders	6
BoreXStroke	4.02X4.72 in. 102X120mm
Displacement	359 cu.in. 5.88 liters
Cycles	Four
Air Induction	Turbocharged
Starting	12 volt motor Negative Ground
Charging	12 volt alternator, 80 amp
Compressor, Air Governor, Air Fan	Air 9.5 CFM @ 1250 rpm 100-120 psi 6 blade, suction type 22 in. (559mm)

Ratings:	
Gross HP @ rpm	130 @ 2650
Kilowatts @ rpm	97 @ 2650

Accesories:	
Cooling	Liquid recirculating, bypass, pressurized.
Radiator	Tube and fin type, thermostat controlled, with sealed baffle, rapid warm-up.
Starting	Cold weather starting aid (measured shot) required below 30° F (-1 C).
Electrical	System is 12 volt, negative ground. Wire harnesses have

Battery	protective braided nylon covering and are individually clamped to framework. Environmentally-sealed toggle-type switches and harness connectors are used. Reserve capacity 398 minutes. Cold cranking amps at 0°F - 885 amps.
Fuel Tank	50.0 gal. (189 liters) Meets FHWA requirements,(right side between tires).
Air Cleaner	Single stage dry - replaceable element.
Lube oil filter	Replaceable element. Full-flow.
Fuel Filter	Spin-on replaceable element.

Transmission (standard): Powershift with high/low range. Fully electric gear shift, 3 speeds forward and 3 reverse, with high-low electric controlled air range shift. Electrically controlled air-generated front axle disconnect for highway travel.

Fully sequential transmission is optional.



Performance: Standard Powershift Transmission - 3 forward, 3 reverse speeds. Performance in highest and lowest gear based on engine at full load rpm, 51,320 lb. gross vehicle weight, 20.50x25 tires, 91' boom, 8300 lbs. counterweight and good surface road. Maximum grade at 1 mph is approximately 48.6%.

Low Range Speeds		High Range Speeds	
1st	2.9 mph (4.6 kmph)	1st	6.5 mph (10.5 kmph)
2nd	6.3 mph (10.1 kmph)	2nd	13.9 mph (22.3 kmph)
3rd	12.0 mph (19.3 kmph)	3rd	25.0 mph (40.2 kmph)

(End - BASIC MACHINE)

OPTIONS

Boom Options and Accessories

ITEM NO.	
115	72' (21.90M) three (3) section powered boom, 29' (8.8M) retracted length, 72' (72.90M) extended length, consisting of one base section, one hydraulically powered "first" section, and one cable powered "second" section with boom point. Cable Extend Mechanism: As the "first" section is extended, it pulls out the "second" section by a system of twin .875" (22mm) dia. extend cables and 15.75" (400mm) P.D. metallic sheaves with roller bearings. The extend cables are connected to a bracket on the top of the base section, pass around the sheaves which are pinned to the front end of the "first" section section, and then connected to a bracket at the rear end of the "second" section to equalize the load on the "extend ropes". The design safety factor is 3.5 to 1. As the powered "first" section is retracted it simultaneously pulls the cable extended "second" section back into the "first" section. The twin retract cables are .50" (13mm) dia. and are connected to brackets on the top of the base section, pass around the 11.50" (292mm) P.D. sheaves with bronze bushings that are pinned inside the rear end of the "first" section, and then connected to a bracket that is mounted inside the rear end of the "second" section. <i>For performance characteristics, see Chart No.11: Range Diagram 72' Boom and Chart No.13: Lifting Capacities, 72' Boom.</i>
125	25' (7.62M) Lattice Extension: Swing-around tapered lattice structure with single 13.1" (332.7mm) P.D. metallic boom point sheave with bronze bushing. Easily installed from ground level by pivoting from stored position on right side of boom base and pin-connecting with self-storing pins to boom point. Includes Anti-Two Block material. Offset 2° from boom. For extending reach of boom. Includes Item 145 with new machine.
135	25'6" to 42'6" (7.8-12.95m) Lattice Extension: Swing-around tapered lattice structure with welded four-plate telescopic section and single 13.1" (332.7mm) metallic boom point sheave with bronze bushing. Easily installed from ground level by pivoting from stored position on right side of boom base and pin connecting with self-storing pins to boom point. Includes Anti-Two Block material. Offset 2° from boom. For extending reach of boom. Includes Item 150 with new machine. <i>For performance characteristics see Chart Nos. 6, 7, 15 and 16.</i>



- ITEM NO. 138 **Extension Offset Mechanism:** Pivoting link which allows lattice extensions to be offset 22° from main boom. For reach up and over structures.
- 140 **14' 6" (4.4 m) Jib:** Underslung "A" frame structure with single 14.17" (360mm) P.D. metallic boom point sheave with bronze bushing. Easily installed from ground level by pivoting from its stored position on under side of boom base. Pin and pendant connected to boom point. Includes Anti-Two Block material. Offsets at 0°, 10° and 20°. For extending reach of boom. Includes Item 155 with new machine.
- For performance characteristics, See chart No. 14.*
- 145 **Material for storing 25' extension on right side of boom.**
- 150 **Material for storing 25' 6" - 42' 6" extension on right side of boom.**
- 155 **Material for storing 14' 6" "A" frame jib under boom.**
- 160 **Auxiliary Boom Point Sheave:** Single 13.1" (332.7mm) P.D. metallic sheave with bronze bushings, bracket mounted on boom point. Includes Anti-Two Block material. For use with single auxiliary winch line.
- 205 **Auxiliary Winch:** Same as main winch. Mounted on rear of revolving frame. Complete with 360' (110m) wire rope and additional boom point idler sheave.
- 215 **Spin Resistant Wire Rope (main winch):** 1/2" x 425' (13mm x 130M) 8 x 19 extra improved plow steel w/ 7 x 7 I.W.R.C.
- 220 **Wire Rope (aux. winch):** 1/2" x 360' (13mm x 110M) 6 x 25 extra improved plow steel w/ 7x7 I.W.R.C.
- 225 **Spin Resistant Wire Rope (aux. winch):** 1/2" x 360' (13mm x 110M) 8x19 extra improved plow steel w/ 7x7 I.W.R.C.
- See Chart no. 2, Hoist Reeving and Wire Rope Capacities.*
- 230 **Mechanical Drum Turn Indicator:** (Aux. winch only, standard on main winch).
- 235 **28 ton Hook Block:** (25 metric ton) 4 sheaves with swivel and safety latch, for 1/2" (13mm) wire rope.
- 240 **15 ton Hook Block:** (13.6 metric ton) 2 sheaves with swivel hook and safety latch, for 1/2" (13mm) wire rope.
- 245 **10 ton Hook Block:** (9.1 metric ton) single sheave with swivel hook and safety latch, for 1/2" (13mm) wire rope.
- 250 **5 ton Weighted Hook:** (4.5 metric ton) with swivel and safety latch, for 1/2" (13mm) wire rope.
- 255 **Cable spooling Device:** main or auxiliary winch.
- 260 **Plumbing and Controls for Auxiliary Winch:** (No winch) (For later installation of winch).
- 265 **Frame-Mounted Single Speed Winch:** 15,000 lb. line pull.

Power Train Options

- 300 **Power Plant (Optional)**
- | | |
|-------------------|------------------------------------|
| Make: | Detroit Diesel |
| Model: | V-8.2L |
| Type: | Diesel |
| No. of Cylinders: | 8 |
| Bore x Stroke: | 4.25 x 4.41 in.
108 x 112mm |
| Displacement | 500 cu.in.
8.2 liters |
| Cycles | Four |
| Air Induction | Nat. Aspirated |
| Starting | 12 volt moter
Negative ground |
| Charging | 12 volt alternator, 80 amp |
| Compressor, air | 12 CFM @ 1250 rpm |
| Governor, air | 100-120 psi |
| Fan | 6 blade, suction type, 22" (559mm) |
- Ratings:
- | | | |
|-----------|-------|-------------|
| Gross HP | @ rpm | 128 @ 2650 |
| Kilowatts | @ rpm | 95.5 @ 2650 |

- ITEM NO. 315 **Sequential Powershift Transmission:** 6 speeds forward, 3 speeds reverse, electrically controlled and operated gear shift. Neutral safety start. Electrically controlled, hydraulically operated front axle disconnect for highway travel. For standard or optional engines.
- 330 **No Spin Axle** - rear axle only
- 340 **Cold Weather Starting Aid:** (measured shot) required below 30°F. (-1°C)
- 350 **Override for axle lockout**
- 405 **Windshield Washer**
- 410 **Roof Window Wiper**
- 415 **Heater & Defroster:** - Diesel
- 420 **Heater & Defroster:** - Propane w/o Tank
- 435 **Vandalism Kit:** - Lexan Glass
- 440 **Tinted Glass**
- 450 **Air Conditioner**
- 455 **Amber Rotating Beacon:** Top of Cab
- 460 **Floodlight:** (3), Includes Standard Alternator
- 510 **Tires 16:00x25-24 Ply Tubeless:** Earthmover Sure Grip (E-3)
- 525 **Tires 20.5x25-20 Ply Tubeless:** Super Hard Rock Lug WideBase (E-3)
See "on rubber" lifting Charts nos. 8, 9, 17 and 18.
- 540 **Spare Tire & Wheel:** 16:00x25--24 Ply Tubeless Earthmover Sure Grip (E3)
- 550 **Spare Tire & Wheel:** 20.5x25-20 Ply Tubeless Sure Grip Lug Wide Base (E2)
- 555 **Spare Tire & Wheel:** 20.5x25-20 Ply Tubeless Super Hard Rock Lug Wide Base (E-3)
- 560 **Tire Inflation Kit**
- 605 **Positive Swing Lock:** 360 Degrees (Required to meet NYC Codes).
- 610 **Stewing Rim Sheet Metal Cover**
- 625 **Pintle Hook:** (Front or Rear)
- 635 **Storage Compartment**
- 640 **Alcohol Evaporator**
- 645 **Air Dryer**

Operational Aids

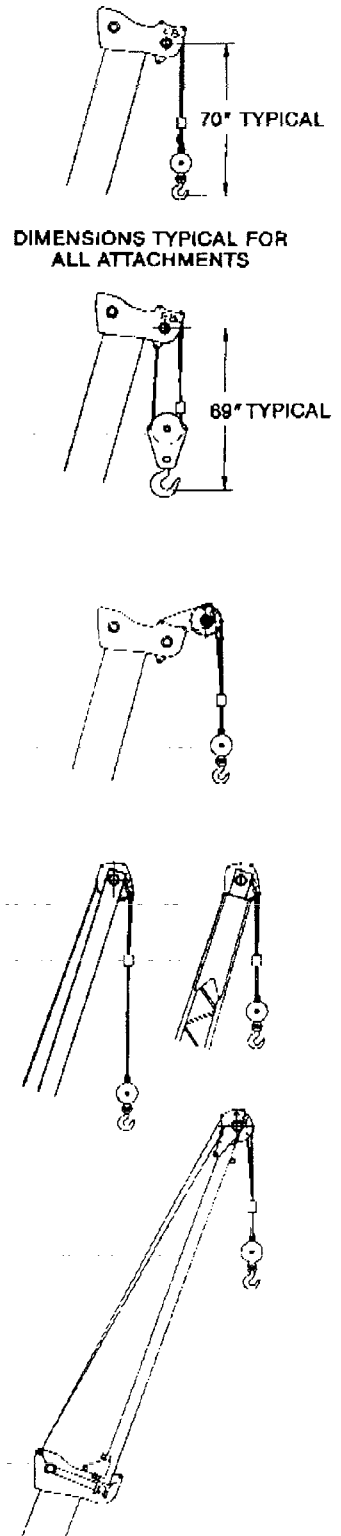
- 720 **P.A.T. Load Moment Operational Aid:** DS350 Microprocessor System Includes: Load Moment Device w/ Audio-Visual Warning, Rated Load, Actual Load, Tare, Radius, Angle, Length & Height of Boom Tip Indicators. Includes Control Lever Lockouts (Magnet Valve Shut-Off Devices).
- 730 **Krueger (HAP) Boom Angle Indicator:** W/ Audio-Visual Warning
- 735 **Krueger (HLAP) Boom Angle, Length, Radius Indicators:** w/ Angle preset and Audio-Visual Warning.
- 740 **P&H Control Lever Lockouts:** (Magnetic Valve Shut-Off Devices) for Anti-Two Block Device and Item 730, or 735.
- 745 **Krueger Load Moment System (Mark IIIE):** Includes - Load Moment Device w/ Audio-Visual Warning, Radius, Angle, Length, w/ angle preset. Includes Control Lever Lockouts (Magnetic Valve Shut-Off Devices).



CHART 1

Axle Loads

VEHICLE WEIGHTS	POUNDS			KILOGRAMS		
	GROSS	FRONT	REAR	GROSS	FRONT	REAR
Basic Carrier	14,404	6,699	7,705	6,539	3,041	3,498
Basic Upper	5,150	1,890	3,260	2,338	858	1,480
Standard Equipment						
91 ft. Boom installed	10,877	14,547	-3,670	4,938	6,604	-1,666
Roading Stabilizer "Easy Ride" installed	1,325	773	552	601	351	250
8300 lb. Counterweight installed	8,306	-3,557	11,863	3,772	-1,615	5,387
Main Winch installed	614	-89	703	279	-40	319
Main Winch Wire Rope	196	-47	243	89	-21	110
Valve Cover installed	97	47	50	44	21	23
Fenders installed	470	235	235	214	107	107
Cummins 6BT5.9 engine w/ R-Shift Transmission	2,432	125	2,307	1,104	56	1,048
20.5 x 25 E-2 Tires installed	3,568	1,784	1,784	1,620	810	810
Front Axle installed	1,652	1,628	24	750	739	11
Rear Axle installed	2,214	-74	2,288	1,005	-34	1,039
Axle Lockout installed	15	4	11	7	2	5
Basic Machine	51,320	23,965	27,355	23,300	10,879	12,421
Adjustments for Options:						
72 ft. Boom installed	-1,820	-2,298	-478	-826	-1,043	-217
Power Plant Options:						
DDA 8.2L Engine w/ R-Shift Transmission	420	5	415	191	3	188
DDA 8.2L Engine w/ P-Shift Transmission	507	22	485	231	11	220
Cummins 6BT5.9 Engine w/ P-Shift Transmission	102	22	80	46	10	36
No-Spin Rear Axle	20	0	20	9	0	9
Tire Options:						
16.00 x 25 Tires	-290	-145	-145	-132	-66	-66
20.5 x 25 E-3 Tires	368	184	184	168	84	84
Main & Aux. Winch installed (w/o Rope)	560	-180	740	254	-82	336
Storage Box installed	75	87	-12	34	40	-6
Counterweights:						
6800 lb. CTWT for 72' Boom w/ Aux. Winch	-1,505	723	-2,228	-684	328	-1,012
7300 lb. CTWT for 72' Boom w/o Aux. Winch	-1,006	515	-1,521	-457	234	-691
7800 lb. CTWT for 91' Boom w/ Aux Winch	-501	219	-720	227	-100	-327
Additions for Options:						
Front-Mounted Winch installed	338	534	-196	154	242	-88
Flood Lights installed	36	37	-1	16	17	-1
Pintle Hook installed in front	34	52	-18	15	23	-8
Pintle Hook installed rear	34	-18	52	15	-8	23
Diesel Heater installed	44	9	35	20	4	16
Propane Heater installed	52	10	42	23	4	19
Air Dryer installed	23	-7	30	10	-3	13
Aux. Winch Rope (360" x .50 Dia.)	166	-73	239	75	-33	108
Boom Attachments (on 91 ft. boom):						
Auxiliary Boom Point Sheave installed	91	277	-186	41	126	-85
25 ft. Lattice Extension mtd. side of boom	816	1,321	-505	370	600	-230
25-42.5 ft. Lattice Extension mtd. side of boom	1,480	2,284	-804	671	1,036	-365
10 ton Hook Block 1 sheave	325	953	-628	148	433	-285
28 ton Hook Block 4 sheaves	500	1,458	-958	227	662	-435
5 ton Hook	121	361	-240	55	164	-109
Boom Attachments (on 72 ft boom):						
Auxiliary Boom Point Sheave installed	91	241	-150	41	109	-68
25 ft. Lattice Extension mtd. side of boom	816	994	-178	370	452	-82
25-42.5 ft. Lattice Extension mtd. side of boom	1,480	2,284	-804	671	1,036	-365
A-Frame Jib underslung	546	926	-380	248	420	-172
10 ton Hook Block 1 sheave	325	823	-498	148	374	-226
28 ton Hook Block 2 sheaves	500	1,458	-958	227	662	-435
5 ton Hook	121	313	-192	55	142	-87



DIMENSIONS TYPICAL FOR ALL ATTACHMENTS

MAIN & AUXILIARY HOIST REEVING 6 X 25									
1/2" DIA. WIRE ROPE BREAKING STRENGTH 26,600 LBS.									
PARTS OF LINE	1	2	3	4	5	6	7	8	9
MAXIMUM LOAD	7600	15200	22800	30400	38000	45600	53200	56000	
MAIN & AUXILIARY HOIST REEVING 8 X 19									
1/2" DIA. WIRE ROPE BREAKING STRENGTH 23,400 LBS.									
PARTS OF LINE	1	2	3	4	5	6	7	8	9
MAXIMUM LOAD	4650	9300	13950	18600	23250	27900	32550	37200	41850

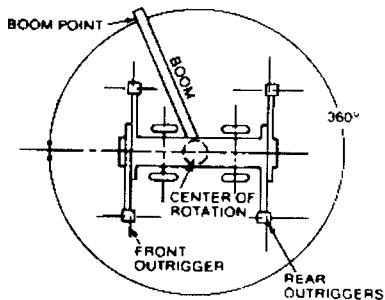
CHART 2



Range Diagrams Standard 91 Foot Powered Boom

areas of operation

ON OUTRIGGERS



ON TIRES

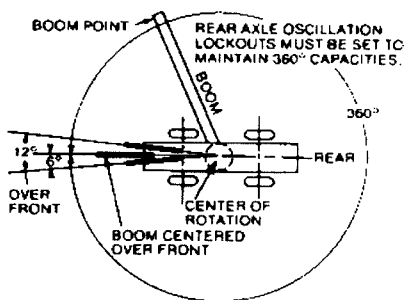


CHART 3

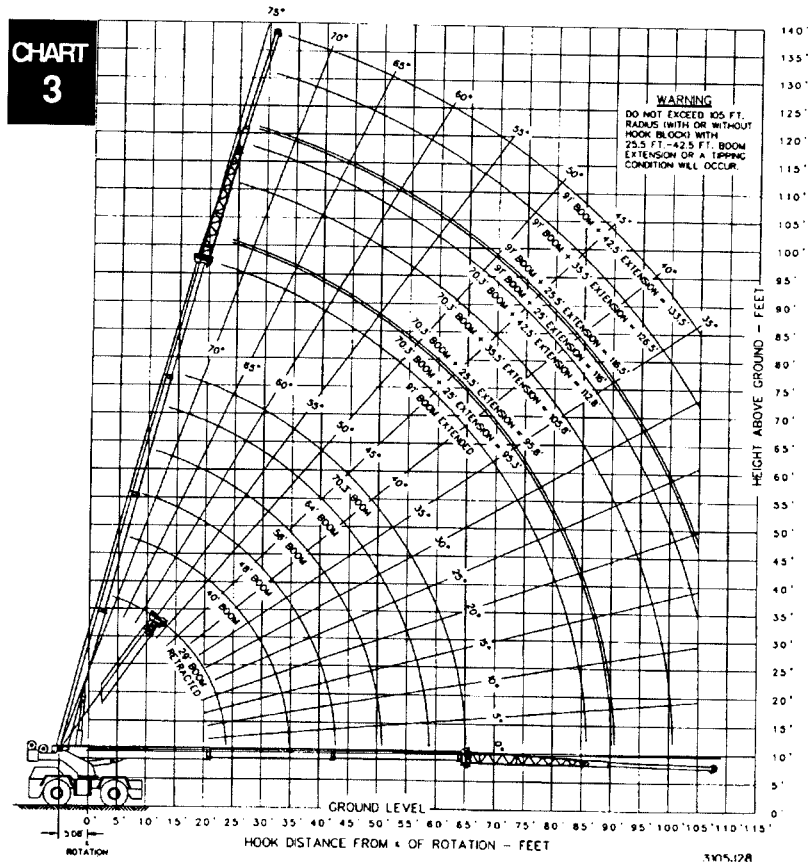
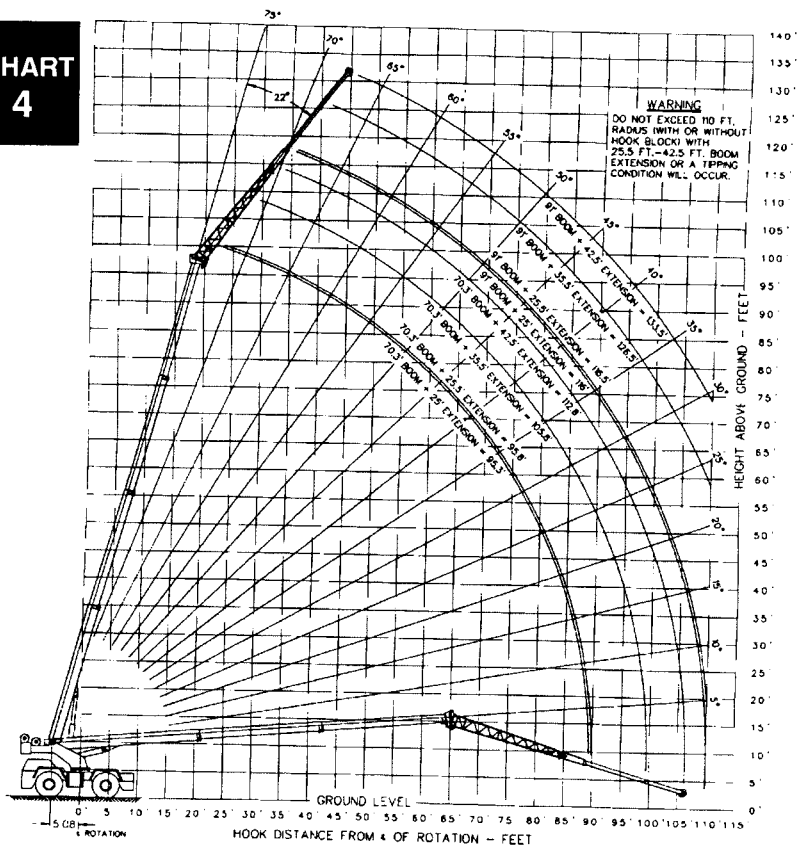


CHART 4





Standard 91Foot Powered Boom Century 128 - Rated Crane Loads in Pounds

CHART 5	POWERED BOOM RATINGS IN POUNDS WITH OUTRIGGERS EXTENDED												OPERATING RADIUS IN FT.
	POWERED BOOM LENGTH												
	29 FT.		40 FT.		48 FT.		56 FT.		64 FT.		70.3 FT.		
360°		360°		360°		360°		360°		360°			
10	63	56000	71	47800	75	44600							10
12	58	47200	68	43600	72	40500							12
15	50	36400	63	36400	68	35800	72	33200	75	31000			15
20	34	25900	54	25900	62	25900	67	25900	70	25900	73	23500	20
25			44	19700	54	19700	61	19700	65	19700	68	19700	25
30			32	15500	46	15500	54	15500	60	15500	64	15500	30
35					36	12500	47	12500	54	12500	59	12500	35
40					23	9700	39	9700	48	9700	53	9700	40
45							30	7600	42	7600	48	7600	45
50							13	6100	34	6100	42	6100	50
55									23	4900	34	4900	55
60											25	3800	60
65											8	3100	65

INFORMATION:

- Crane load ratings do not exceed 85% of tipping load.
- Ratings above the line are based on the machine's hydraulic or structural competence and not on machine stability.
- Deductions must be made from rated loads for stowed lattice extension or jib, optional attachments, hooks and hookblocks (see Deductions Chart on page 12). Weights of slings and all other load handling devices shall be considered part of the load.
- Crane load ratings with outriggers are based on the outriggers fully extended and set to a distance of 9 feet from the longitudinal axis of the carrier to the outrigger float pin connection with all load removed from carrier wheels.

CHART 6
2° OFFSET

LATTICE EXTENSION IN POUNDS WITH OUTRIGGERS EXTENDED AND SET

PINNED SECTION EXTENDED		LATTICE EXTENSION WITH PINNED SECTION RETRACTED						LATTICE EXTENSION WITH PINNED SECTION EXTENDED												
FOR ALL BOOM LENGTHS UP TO 91 FT.		FOR 25 FT. OR 25.5 FT.		FOR 35.5 FT.		FOR 42.5 FT.		FOR 25 FT. OR 25.5 FT.		FOR 35.5 FT.		FOR 42.5 FT.								
RATED LOAD IN POUNDS		RATED LOAD IN POUNDS		RATED LOAD IN POUNDS		RATED LOAD IN POUNDS		RATED LOAD IN POUNDS		RATED LOAD IN POUNDS		RATED LOAD IN POUNDS								
360°		360°		360°		360°		360°		360°		360°								
25	75	15700	25		25		25		25		25		25							
30	71	14100	30	73	13000	30	75	9300	30		30		30							
35	68	12600	35	70	12100	35	72	8800	35	75	8900	35		35						
40	64	10700	40	66	10200	40	69	8300	40	72	8100	40	75	7300	40					
45	60	8600	45	62	8200	45	66	4900	45	69	7300	45	72	6800	45	74	6100			
50	56	7000	50	59	6700	50	63	7100	50	65	5200	50	66	6700	50	69	6300	50	71	5700
55	52	5800	55	55	5500	55	60	5900	55	62	4800	55	63	5800	55	67	5800	55	69	5300
60	48	4800	60	51	4500	60	56	5000	60	59	4500	60	61	4900	60	64	5200	60	67	5000
65	43	4000	65	46	3700	65	53	4200	65	56	4300	65	58	4100	65	61	4400	65	64	4600
70	38	3300	70	42	3000	70	49	3500	70	52	3700	70	54	3400	70	58	3700	70	61	4000
75	32	2800	75	37	2500	75	45	2900	75	49	3200	75	51	2800	75	55	3200	75	59	3400
80	24	2300	80	31	2000	80	40	2400	80	45	2700	80	47	2300	80	52	2700	80	56	2900
85	11	1900	85	23	1600	85	35	2000	85	41	2300	85	43	1900	85	49	2300	85	53	2500
			90	10	1200	90	29	1600	90	36	1900	90	39	1500	90	45	1900	90	50	2100
						95	22	1300	95	31	1500	95	35	1200	95	42	1500	95	46	1700
						100	10	1000	100	25	1200	100			100	38	1200	100	42	1400
									105	16	1000	105			105	34	1000	105	39	1200

NOTE:

- When boom is not fully extended, use only boom angles to determine load rating.
- For boom angles not shown, use rating of next lower boom angle.
- For bucket ratings on 35.5 ft. and 42.5 ft. extensions, deduct 20% from load ratings.

WARNING: Do not exceed 105 ft. radius (with or without hook block) with 25.5 ft. - 42.5 ft. boom extension or a tipping condition will occur.



Standard 91Foot Powered Boom Century 128 - Rated Crane Loads in Pounds

CHART 7

22° OFFSET EXTENSION IN POUNDS WITH OUTRIGGERS EXTENDED AND SET																	
LATTICE EXTENSION WITH PINNED SECTION RETRACTED									LATTICE EXTENSION WITH PINNED SECTION EXTENDED								
OPERATING INFORMATION	25 FT. OR 25.5 FT.			35.5 FT.			42.5 FT.			25 FT. OR 25.5 FT.			35.5 FT.		42.5 FT.		
	FOR ALL BOOM LENGTHS UP TO 95.3 OR 95.8 FT. BOOM ONLY			FOR 105.8 FT. BOOM ONLY			FOR ALL BOOM LENGTHS UP TO 112.8 FT.			FOR 116 OR 116.5 FT. BOOM ONLY			FOR ALL BOOM LENGTHS UP TO 126.5 FT.		FOR 133.5 FT. BOOM ONLY		
	SEE DEDUCTIONS			SEE DEDUCTIONS			SEE DEDUCTIONS			SEE DEDUCTIONS			SEE DEDUCTIONS		SEE DEDUCTIONS		
360°			360°			360°			360°			360°		360°			
35	74	7800	35			35			35			35			35		
40	71	7300	40	75	5400	40			40			40			40		
45	67	6900	45	72	5100	45	75	4300	45	74	6800	45			45		
50	63	6500	50	69	4800	50	72	4100	50	71	6300	50	74	5000	50		
55	60	6000	55	65	4500	55	69	3900	55	68	5900	55	72	4800	55	74	4000
60	56	4900	60	62	4300	60	66	3700	60	65	5300	60	69	4600	60	72	3800
65	51	4100	65	58	4100	65	62	3500	65	61	4500	65	66	4400	65	69	3700
70	46	3300	70	54	3900	70	59	3300	70	58	3700	70	64	4200	70	66	3500
75	41	2700	75	50	3300	75	55	3100	75	55	3100	75	61	3600	75	64	3400
80	34	2200	80	46	2700	80	51	3000	80	51	2600	80	57	3000	80	61	3300
85	27	1700	85	41	2200	85	47	2600	85	47	2100	85	54	2600	85	58	2800
			90	35	1800	90	42	2100	90	43	1700	90	50	2100	90	55	2400
			95	27	1400	95	37	1700	95	38	1400	95	47	1800	95	52	2000
						100	30	1400	100	32	1000	100	42	1400	100	48	1700
						105	19	1000	105			105	38	1100	105	44	1400
												110			110	40	1100

NOTE:
 1. When boom is not fully extended, use only boom angles to determine load rating.
 2. For boom angles not shown, use rating of next lower boom angle.
 3. For bucket ratings on 35.5 ft. and 42.5 ft. extensions, deduct 20% from load ratings.

WARNING: Do not exceed 105 ft. radius (with or without hook block) with 25.5 ft. - 42.5 ft. boom extension or a tipping condition will occur.

WARNING: Deductions from Offset Load Ratings Must be Applied According to DEDUCTION TABLE Shown on Page 12.

Load Ratings "On Tires" With 91 foot Boom

CHART 8

OPERATING INFORMATION	20.50 X 25-20 PLY TIRES								16:00 X 25-24 PLY TIRES							
	STATIONARY				PICK & CARRY BOOM CENTERED OVER FRONT				STATIONARY				PICK & CARRY BOOM CENTERED OVER FRONT			
	± 6° ARC OVER FRONT		360° ARC		CREEP		2 1/2 MPH		± 6° ARC OVER FRONT		360° ARC		CREEP		2 1/2 MPH	
10	32500	25600	27200	18800	10	35800	25500	30200	25400							
12	27900	19200	23500	16000	12	30800	18700	26100	21900							
15	20800	13100	19100	12800	15	20700	12800	20700	17700							
20	12700	7900	12700	9100	20	12700	7700	12700	12700							
25	8600	5200	8600	6700	25	8600	5000	8600	8600							
30	6100	3400	6100	5000	30	6100	3300	6100	6100							
35	4400	2200	4400	3700	35	4400	2100	4400	4400							
40	3200	1400	3200	2700	40	3200	1300	3200	3200							
45	2300		2300	1900	45	2300		2300	2300							
50	1600		1600	1200	50	1600		1600	1600							

- WARNINGS:**
- When transporting a load, machine must be on a firm, level surface with mechanical houselock engaged. The load must be centered over front of machine and restrained from swinging. See "Areas of Operation" on page 6 for working ranges.
 - Crane load rating on tires apply only when rear axle lockouts are engaged when swinging 360°.
 - Do not attempt lifts on tires with jib or extension erected.
 - Lift with shortest boom possible for each radius.

DEFINITIONS:
 1. Creep is motion for less than 200 feet in a 30 minute period and not exceeding 1 mph.

CHART 10

TIRE INFLATION			
SIZE	STATIC & CREEP	2-1/2 MPH	TRAVEL
16:00 x 25-24 PR	100 PSI	100 PSI	75 PSI
20.50 x 25-20 PR	80 PSI	65 PSI	50 PSI

WARNING: CRANE LOAD RATINGS WITHOUT OUTRIGGERS DEPENDS ON TIRE CAPACITY AND CONDITION OF TIRES, INFLATED PER TABLE.

CHART 9

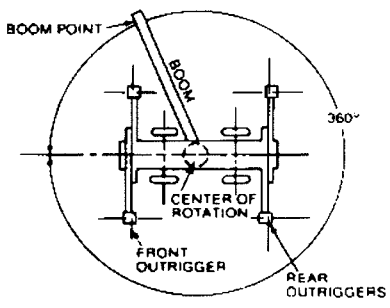
- INFORMATION:**
- Ratings above the heavy lines are based on structural competence and not on machine stability.
 - It is recommended that outriggers be extended as far as possible and clear of ground when lifting on tires.
 - Stability ratings do not exceed 75% of tipping loads.



Range Diagrams Optional 72 Foot Powered Boom

areas of operation

ON OUTRIGGERS



ON TIRES

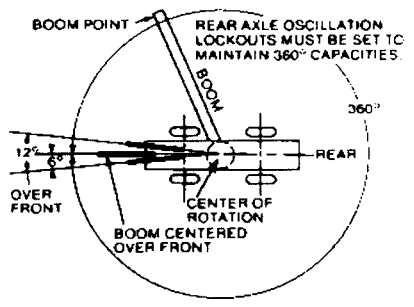


CHART 11

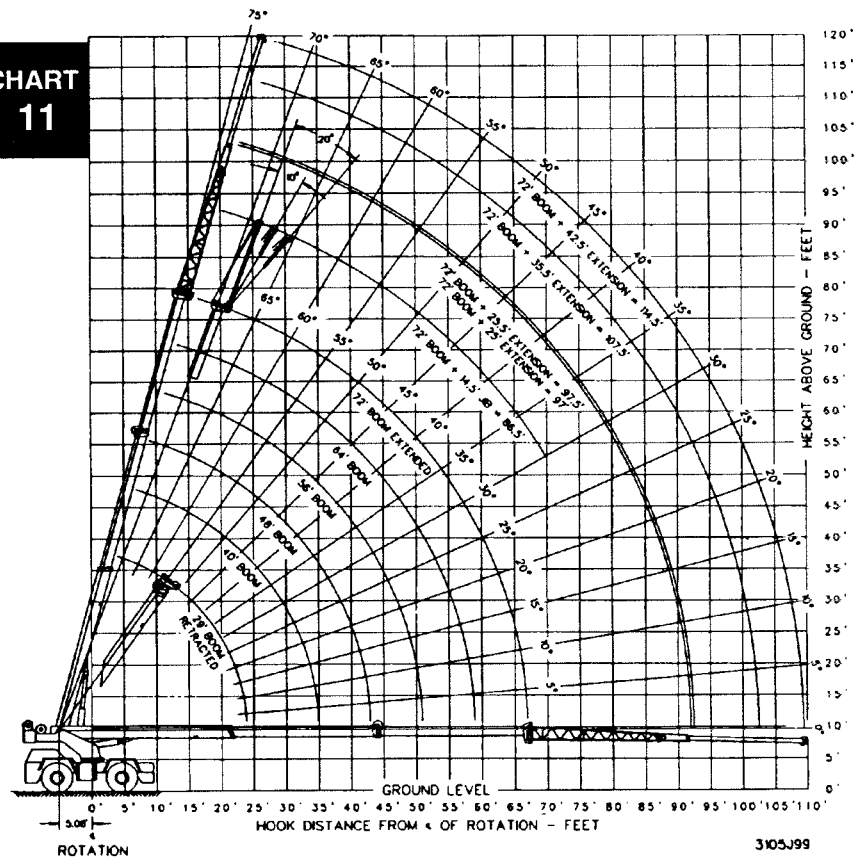
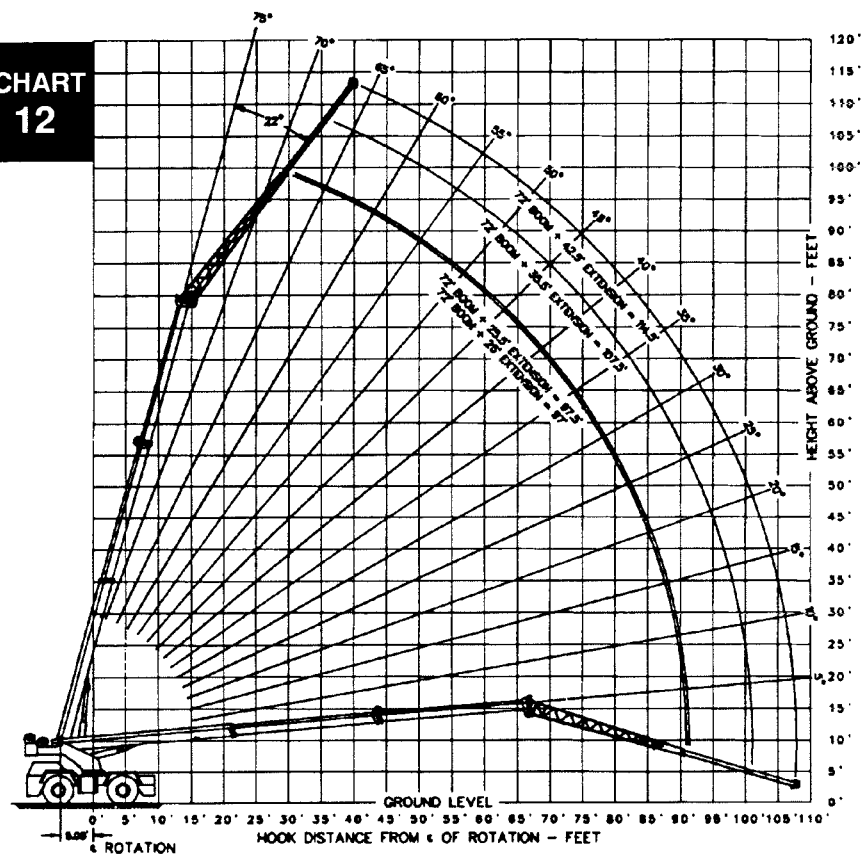


CHART 12



Optional 72 Foot Powered Boom Century 128 - Rated Crane Loads in Pounds

CHART 13

POWERED BOOM RATINGS IN POUNDS WITH OUTRIGGERS EXTENDED													
POWERED BOOM LENGTH													
OPERATING RADIUS IN FT.	29 FT.		40 FT.		48 FT.		56 FT.		72 FT.				
	360°	360°	360°	360°	360°	360°	360°	360°	360°	360°			
10	63	56000	71	38100	75	37400					10		
12	58	46700	68	38100	72	37400					12		
15	51	36200	63	36200	68	35200	72	32800	75	30300	15		
20	34	26000	55	26000	62	26000	67	26000	70	24800	73	21700	20
25			45	20100	54	20100	61	20100	65	20100	69	18400	25
30			32	16100	46	16100	54	16100	60	16100	64	15700	30
35					37	12700	47	12700	54	12700	60	12700	35
40					23	10000	39	10000	48	10000	54	10000	40
45							30	8100	42	8100	49	8100	45
50							13	6600	34	6600	43	6600	50
55									23	5500	36	5500	55
60											28	4600	60
65											16	3900	65

INFORMATION:

- Crane load ratings do not exceed 85% of tipping load.
- Ratings above the line are based on the machine's hydraulic or structural competence and not on machine stability.
- Deductions must be made from rated loads for stowed lattice extension or jib, optional attachments, hooks and hookblocks (see Deductions Chart on page 12). Weights of slings and all other load handling devices shall be considered part of the load.
- Crane load ratings with outriggers are based on the outriggers fully extended and set to a distance of 9 feet from the longitudinal axis of the carrier to the outrigger float pin connection with all load removed from carrier wheels.

MAXIMUM JIB LOAD RATINGS IN POUNDS WITH OUTRIGGERS EXTENDED			
MIN. BOOM ANGLE	JIB ANGLE		
	0°	10°	20°
75°	13000	11200	9500
70°	12000	10500	8500
65°	11000	9600	7800
60°	8500	8000	7200
55°	6800	6500	6200
50°	5600	5400	5200
45°	4700	4500	4400
40°	4000	3900	3800
35°	3500	3400	3400
30°	3100	3100	3100

CHART 14

JIB CAPACITY NOTES:

- Jib load ratings above the heavy line are based on structural competence of the machine. Ratings below the line are based on stability of the machine and do not exceed 85% of tipping load with fully extended outriggers. Use of outriggers are required when boom is equipped with a jib.
- For bucket ratings on jib, deduct 20% from maximum jib load ratings.
- Warning: Do not lift with jib at boom angles below 30°. Loss of stability below 30° occurs rapidly.*

CHART 15 OFFSET

LATTICE EXTENSION LOAD RATINGS IN POUNDS WITH OUTRIGGERS EXTENDED											
25 FT. LATTICE EXTENSION				25.5 - 42.5 FT. LATTICE EXTENSION							
OPERATING RADIUS IN FT.	25 FT.		25.5 FT.		35.5 FT.		42.5 FT.				
	360°	360°	360°	360°	360°	360°	360°	360°	360°		
27	75	13000	27	75	13000	27					
30	73	12300	30	73	11900	30	75	9300	30		
35	70	11100	35	70	10700	35	72	8800	35	74	6500
40	66	10100	40	66	9700	40	69	8300	40	71	6000
45	63	8700	45	63	8300	45	66	7900	45	69	5600
50	59	7300	50	59	6900	50	63	7200	50	66	5200
55	56	6100	55	56	5800	55	60	6100	55	63	4900
60	52	5200	60	52	4900	60	57	5200	60	60	4600
65	47	4500	65	48	4100	65	53	4400	65	57	4300
70	43	3900	70	43	3500	70	49	3800	70	54	4000
75	38	3300	75	38	2900	76	45	3300	75	50	3500
80	32	2900	80	33	2500	80	41	2800	80	47	3000
85	25	2500	85	26	2100	85	37	2400	85	43	2600
90	15	2100	90	16	1700	90	31	2100	90	38	2200
						95	25	1800	95	33	1900
						100	16	1500	100	27	1600
									105	20	1400

NOTE:

- WHEN BOOM IS NOT FULLY EXTENDED, USE ONLY BOOM ANGLES TO DETERMINE LOAD.
- FOR BOOM ANGLES NOT SHOWN, USE RATING OF NEXT LOWER BOOM ANGLE.
- FOR BUCKET RATINGS ON 35.5 AND 42.5 FT. EXTENSIONS, DEDUCT 20% FROM LOAD RATINGS.

WARNINGS:

- Loaded boom angle at specified boom lengths give only an approximation of the operating radius. The boom angle before loading should be greater to account for deflections. Do not exceed the operating radius for rated loads.
- Positioning or operation of powered boom lengths at radii beyond the maximums or minimums shown, is not intended or approved.
- Positioning or operation of lattice extensions or jib at boom angles beyond the maximums or minimums shown, is not intended or approved.
- For powered boom lengths not shown, use rating of next longer. For load radii not shown, use rating of next longer radius.
- Crane load ratings on outriggers are based on freely suspended loads with the machine leveled and standing on a firm, uniform supporting surface. No attempt shall be made to move a load horizontally on the ground in any direction.
- Practical working loads depend on supporting surface, wind, and other factors affecting stability. Hazardous surroundings, experience of personnel, and proper handling, all of which must be taken into account by the operator.
- The maximum load which may be telescoped is limited by hydraulic pressure, boom angle, and powered boom lubrication. It is safe to attempt to telescope any load within the limits of the load rating chart

DEFINITIONS:

- Operating radius is the horizontal distance from the center of rotation before loading to the center of the vertical hoist line or tackle with load applied.
- Loaded boom angle, as shown in the column headed by Δ , is the included angle between the horizontal and longitudinal axes of the boom base after lifting rated load at rated radius.



Optional 72 Foot Powered Boom Century 128 - Rated Crane Loads in Pounds

CHART 16
22°
OFFSET

LATTICE EXTENSION LOAD RATINGS IN POUNDS WITH OUTRIGGERS EXTENDED

25 FT. LATTICE EXTENSION			25.5 - 42.5 FT. LATTICE EXTENSION								
OPERATING TIPPING T.	25 FT.		25.5 FT.		35.5 FT.		42.5 FT.				
	FOR ALL BOOM LENGTHS UP TO 97 FT.		FOR ALL BOOM LENGTHS UP TO 97.5 FT.		FOR ALL BOOM LENGTHS UP TO 107.5 FT.		FOR ALL BOOM LENGTHS UP TO 114.5 FT.				
	±6° ARC OVER FRONT	360° ARC	±6° ARC OVER FRONT	360° ARC	±6° ARC OVER FRONT	360° ARC	±6° ARC OVER FRONT	360° ARC			
35	74	8200	35	74	7900	35		35			
40	71	7700	40	71	7400	40	75	5500	40		
45	67	7300	45	67	7000	45	72	5200	45	75	4300
50	64	6900	50	64	6600	50	69	4900	50	72	4100
55	60	6500	55	60	6200	55	66	4600	55	69	3900
60	56	5600	60	56	5200	60	63	4400	60	66	3700
65	52	4800	65	52	4400	65	59	4200	65	63	3500
70	47	4100	70	47	3700	70	55	4000	70	60	3300
75	42	3500	75	42	3100	75	52	3600	75	56	3100
80	36	3000	80	36	2600	80	47	3100	80	53	3000
85	28	2600	85	28	2200	85	42	2600	85	49	2900
90	16	2200	90	16	1800	90	37	2200	90	44	2500
						95	30	1800	95	39	2100
						100	18	1500	100	33	1800
						105	24	1500			

NOTE:
1. Stability ratings do not exceed 85% of tipping loads.
2. When boom is not fully extended, use only boom angles to determine load.
3. For boom angles not shown, use ratings of next lower boom angle.

WARNING:

1. Deductions from offset extension load ratings must be applied according to DEDUCTION TABLE shown on page 12.
2. Do not exceed 105 foot radius (with or without hook block) with 25.5 - 42.5 foot boom extension or a tipping condition will occur.

NOTES:

1. For bucket ratings on 35.5 foot and 42.5 foot extensions, deduct 20% from load ratings.

Load Ratings "On Tires" With 72 foot Boom

CHART 17

20.50 X 25-20 PLY TIRES

OPERATING TIPPING T.	STATIONARY		PICK & CARRY BOOM CENTERED OVER FRONT	
	±6° ARC OVER FRONT	360° ARC	CREEP	2 1/2 MPH
	10	33000		
12	28600	18200	24200	16700
15	20000	12600	20000	13600
20	12400	7800	12400	10100
25	8700	5400	8700	7900
30	6400	3800	6400	6100
35	4900	2700	4900	4900
40	3700	1900	3700	3700
45	2900	1400	2900	2900
50	2200		2200	2200
55	1700		1700	1700
60	1300		1300	1300

CHART 18

16:00 X 25-24 PLY TIRES

OPERATING TIPPING T.	STATIONARY		PICK & CARRY BOOM CENTERED OVER FRONT	
	±6° ARC OVER FRONT	360° ARC	CREEP	2 1/2 MPH
	10	36400		
12	29300	17700	26800	22600
15	19900	12300	19900	18600
20	12300	7600	12300	12300
25	8700	5300	8700	8700
30	6300	3700	6300	6300
35	4800	2600	4800	4800
40	3700	1800	3700	3700
45	2900	1300	2900	2900
50	2200		2200	2200
55	1700		1700	1700
60	1300		1300	1300

WARNINGS:

1. When transporting a load, machine must be on a firm, level surface with mechanical houselock engaged. The load must be centered over front of machine and restrained from swinging. See "Areas of Operation" on page 6 for working ranges.
2. Crane load rating on tires apply only when rear axle lockouts are engaged when swinging 360°.
3. Do not attempt lifts on tires with jib or extension erected.
4. Lift with shortest boom possible for each radius.

DEFINITIONS:

1. Creep is motion for less than 200 feet in a 30 minute period and not exceeding 1 mph.

INFORMATION:

1. Ratings above the heavy lines are based on structural competence and not on machine stability.
2. It is recommended that outriggers be extended as far as possible and clear of ground when lifting on tires.
3. Stability ratings do not exceed 75% of tipping loads.

See Chart No. 10, page 8, for proper tire inflation.

OPERATION OF THIS EQUIPMENT IN EXCESS OF RATED LOADS AND DISREGARD OF INSTRUCTIONS IS AN UNSAFE PRACTICE AND WILL RESULT IN DENIAL OF WARRANTY CLAIMS.



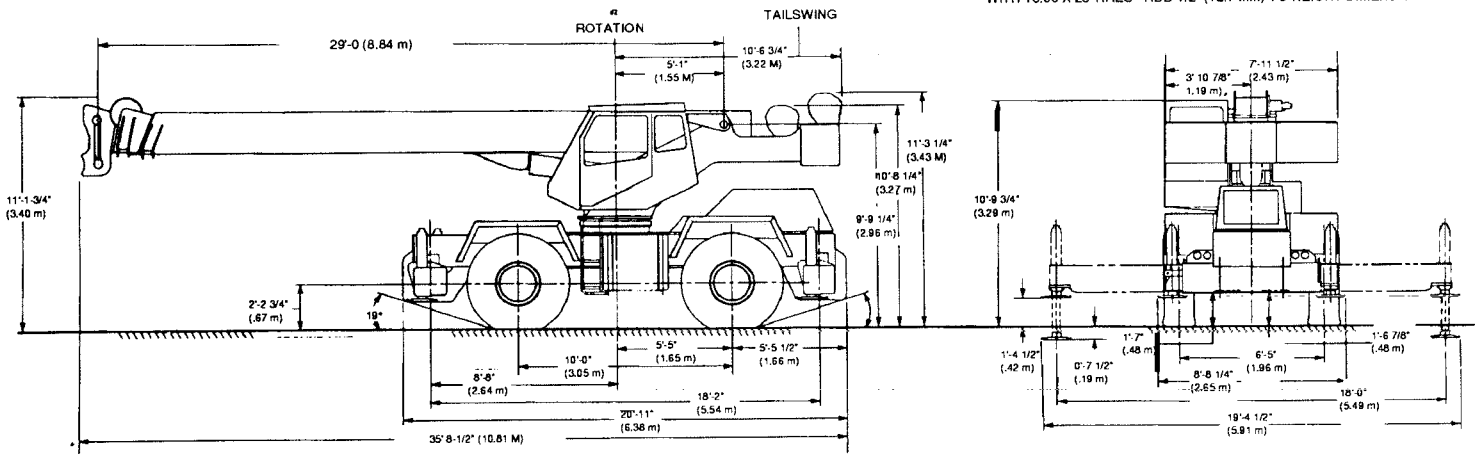
DEDUCTIONS TO BE MADE FROM LOAD RATINGS IN POUNDS			HOOK BLOCK ON POWERED BOOM POINT				
DESCRIPTION			WITHOUT HOOK BLOCK ON BOOM POINT	5 TON	10-28 TON	5 TON WITH AUXILIARY SHEAVE	10-28 TON WITH AUXILIARY SHEAVE
			HOISTING LOAD FROM POWERED BOOM			-----	150
HOISTING LOAD FROM EXTENSION OR JIB	HOOK BLOCK WEIGHT		-----	150	550	250	650
	25 FT. LATTICE EXTENSION	STOWED	-----	200	600	300	700
		ERECTED ONLY	-----	1200	1600	1300	1700
		5 TON BLOCK	-----	1450	1850	1550	1950
	10 TON BLOCK	-----	1850	2250	1950	2350	
25.5 FT. LATTICE EXTENSION	STOWED	-----	250	650	350	750	
	ERECTED ONLY	-----	2050	2450	2150	2550	
	5 TON BLOCK	-----	2300	2700	2400	2800	
10 TON BLOCK	-----	2700	3100	2800	3200		
35.5 FT. LATTICE EXTENSION	ERECTED ONLY	-----	2250	2650	2350	2750	
	5 TON BLOCK	-----	2550	2950	2650	3050	
	10 TON BLOCK	-----	3000	3400	3100	3500	
42.5 FT. LATTICE EXTENSION	ERECTED ONLY	-----	2450	2850	2550	2950	
	5 TON BLOCK	-----	2800	3200	2900	3300	
	10 TON BLOCK	-----	3300	3700	3400	3800	
14.5 FT. JIB	STOWED	-----	300	700	400	800	
	ERECTED ONLY	-----	800	1200	900	1300	
	5 TON BLOCK	-----	1000	1400	1100	1500	
	10 TON BLOCK	-----	1300	1700	1400	1800	
HOISTING LOAD FROM EXTENSION OR JIB	25 FT. LATTICE EXTENSION	5 TON BLOCK	150	250	500	300	550
		10 TON BLOCK	350	450	700	500	750
	25.5 FT. LATTICE EXTENSION	5 TON BLOCK	150	250	500	300	550
		10 TON BLOCK	350	450	700	500	750
	35.5 FT. LATTICE EXTENSION	5 TON BLOCK	150	250	450	300	500
10 TON BLOCK		350	450	650	500	700	
42.5 FT. LATTICE EXTENSION	5 TON BLOCK	150	250	450	300	450	
	10 TON BLOCK	350	450	650	500	650	
14.5 FT. JIB	5 TON BLOCK	150	250	550	300	600	
	10 TON BLOCK	350	450	750	500	800	

CHART 19

NOTE: LOAD DEDUCTIONS APPLY ONLY TO P&H SUPPLIED EQUIPMENT

Dimensions

DIMENSIONS ARE WITH STANDARD TIRE SIZE - 20.5 x 25
WITH 16.00 X 25 TIRES - ADD 1/2" (12.7 mm) TO HEIGHT DIMENSIONS



	TIRES	
	20.5X25	16.00 X 25
VEHICLE TURNING DIAMETER - 4 WHEEL STEER	35' - 10.67 m	38' - 4" (11.68 m)
- FRONT AXLE STEER	63' - 1" (19.23 m)	69' - 10" (21.29 m)
VEHICLE CLEARANCE DIAMETER - 4 WHEEL STEER	39' - 10" (12.14 m)	43' - 1" (13.13 m)
- FRONT AXLE STEER	67' - 10" (22.65 m)	74' - 6" (22.70 m)

NOTE: All designs, specifications and components of the equipment described above are subject to change at the manufacturer's sole discretion at any time and without advance notice. Data published herein is informational in nature and shall not be construed to warrant suitability of the machine for any particular purpose as performance may vary with conditions encountered. The only warranty applicable is our standard warranty for this machine.



Address Inquiries to:



Century II, Inc. - P.O. Box 2952602
Conway, SC 29526-7002 USA
Phone: 803-349-6900