



# MERLO

**P 38.10 EE**

- **MAXIMUM LOAD CAPACITY: 8,300 LBS**
- **MAXIMUM LIFT HEIGHT: 31' 8"**
- **MAXIMUM REACH: 20' 4"**
- **LIFT CAPACITY AT MAXIMUM LIFT HEIGHT: 6,000 LBS**
- **LIFT CAPACITY AT MAXIMUM FORWARD REACH: 1,300 LBS**

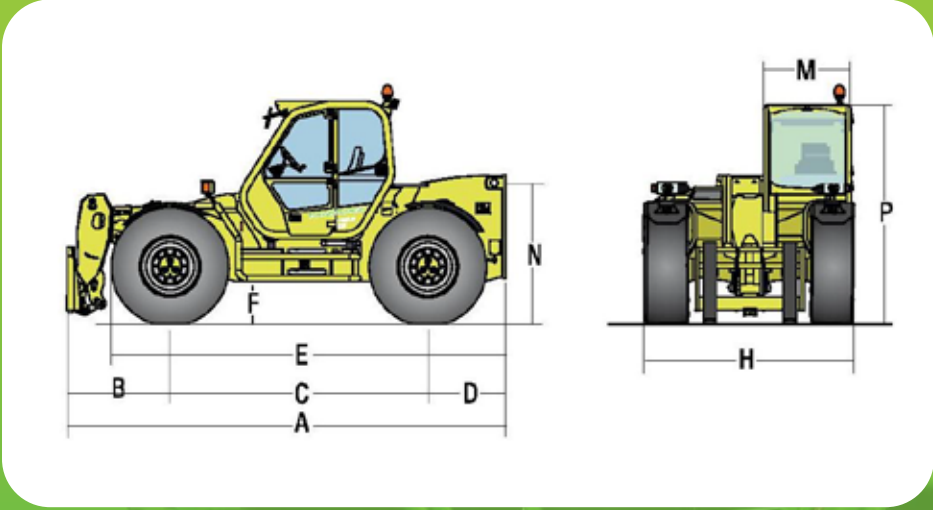
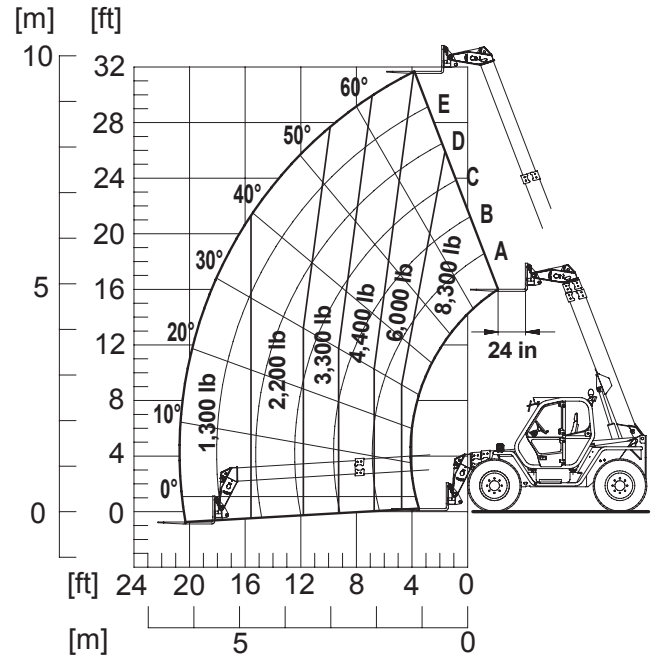


# SPECIFICATIONS: P 38.10 EE



Power / 4 Cylinder Turbo Diesel ..... Deutz / 140HP  
 Transmission ..... 2 Speed / Hydrostatic  
 Maximum Speed ..... 25 MPH  
 Total Unladen Mass (with forks) ..... 17,200 LBS  
 LS Flow-Sharing Hydraulic System (PSI-gal / min) 3,045-35  
 Fuel Capacity ..... 40 Gallons  
 Hydraulic Oil Capacity ..... 28 Gallons  
 Tires ..... 405/70-24  
 4 Wheel Drive / 3 Steering Modes ..... Standard  
 Disc Service Brakes on all 4 Wheels ..... Standard  
 Disc Parking Brake with Automatic Locking ..... Standard

P 38.10 EE WITH FORKS



Dimensions (FT)					
A	14' -2"	D	1' -11"	H	7' -3"
B	3' -3"	E	12' -10"	M	3' -3"
C	9' -0"	F	1' -10"	P	8' -1"

DEALER INFORMATION: