



MERLO

P 25.6 Compact

- **MAXIMUM LOAD CAPACITY: 5,500 LBS**
- **MAXIMUM LIFT HEIGHT: 19' 4"**
- **MAXIMUM REACH: 10' 8"**
- **LIFT CAPACITY AT MAXIMUM LIFT HEIGHT: 3,800 LBS**
- **LIFT CAPACITY AT MAXIMUM FORWARD REACH: 2,200 LBS**

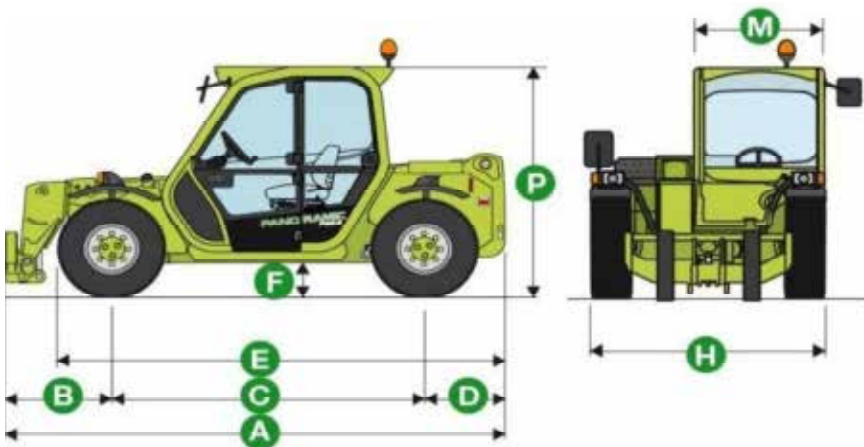
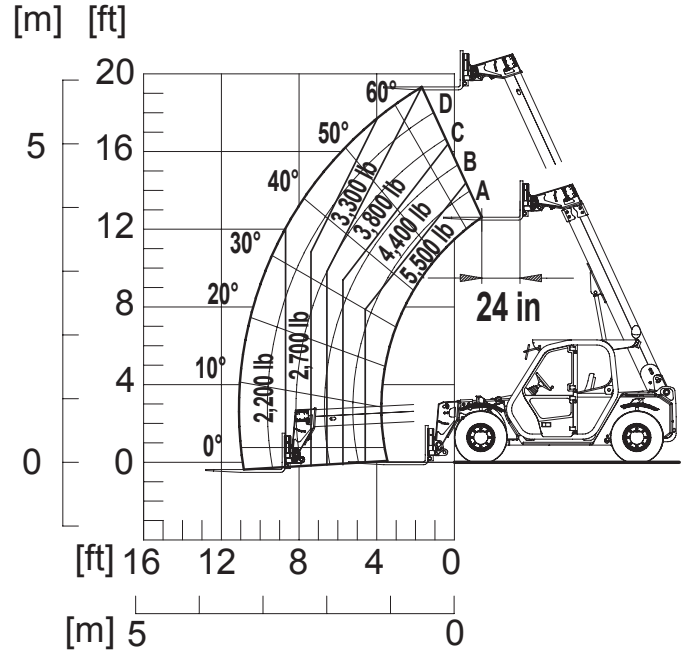


SPECIFICATIONS: P 25.6 Compact



Power / 4 Cylinder Turbo Diesel Kubota / 75 HP
 Transmission Hydrostatic
 Maximum Speed 22 MPH
 Total Unladen Mass (with forks) 10,000 LBS
 Hydraulic System-Gear Pump (PSI-gal / min) ... 3,050-21
 Fuel Capacity 18.4 Gallons
 Hydraulic Oil Capacity 18.4 Gallons
 Tires 12 - 16.5
 Turning Radius 11'-0"
 4 Wheel Drive / 3 Steering Modes Standard
 Disc Service Brakes on all 4 Wheels Standard
 Disc Parking Brake with Automatic Locking Standard
 Towing Agricultural Trailers Optional
 Low Cab Height

P 25.6 WITH FORKS



-No telehandler has ever been so maneuverable and easy to handle with just a light grip on the steering wheel. The P25.6 also offers unrivalled accuracy and agility for material handling.

-The cab is the widest available in this machine class. Its generous area offers real panoramic visibility of the working area.

Dimensions (FT)

A	12' -7"	D	2' -0"	H	5' -10"
B	2' -7"	E	11' -4"	M	3' -2"
C	8' -0"	F	0' -9"	P	6' -2"

DEALER INFORMATION: