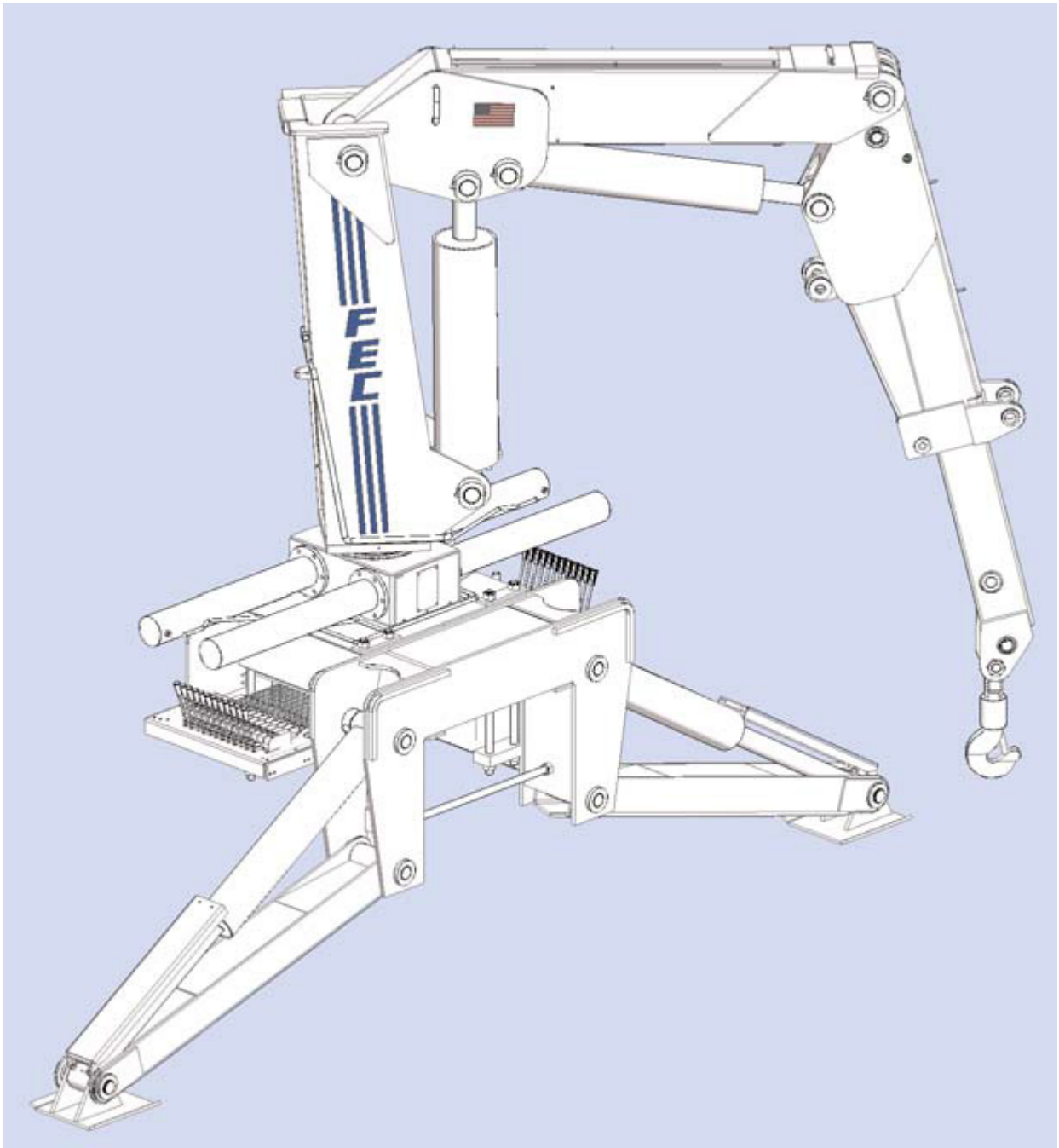


# Model 29017 Crane



**290,000 ft. lbs. Rating**

Crane Capacity Rating:	29,000 lbs.
Maximum Reach:	17'
Crane Weight:	10,400 lbs.
Chassis RBM Required:	3,750,000 in.lbs.