

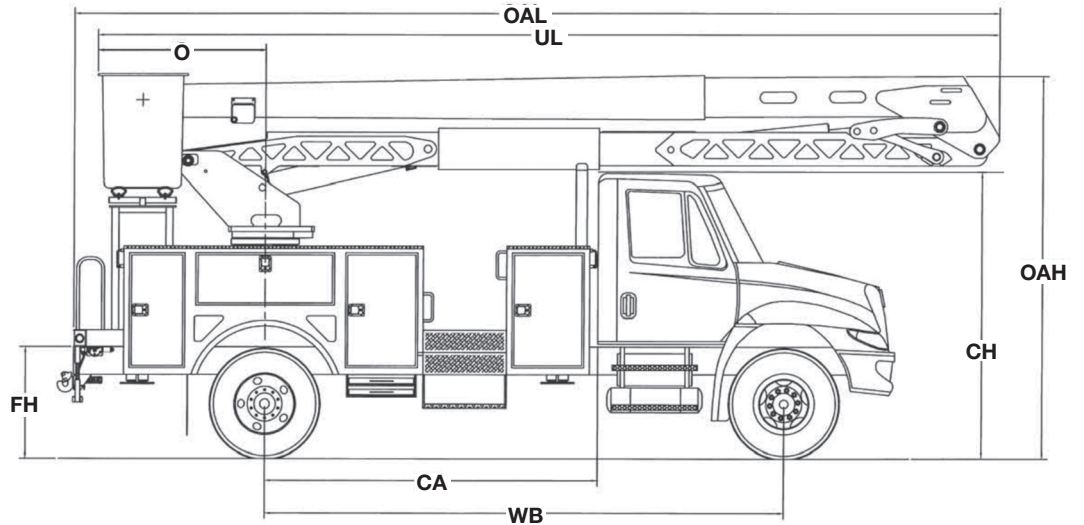


TEREX®

HRX SERIES Hi-Ranger Overcenter Material Handling Aerial Device

AERIAL DEVICES

Terex® Hi-Ranger Aerial Devices are known throughout the industry. They come with a long history featuring quality and innovative design.



Measurements	HRX52	HRX55	HRX60
	ORA	ORA	ORA
Typical Frame Height (FH)	40 in. (101.6 cm)	40 in. (101.6 cm)	40 in. (101.6 cm)
Typical Cab Height (CH)	108 in. (274.3 cm)	108 in. (274.3 cm)	108 in. (274.3 cm)
Offset (O)	60.5 in. (153.7 cm)	60.5 in. (153.7 cm)	60.5 in. (153.7 cm)
Overall Height (OAH)	11' 5" (3.5 m)	11' 5" (3.5 m)	11' 5" (3.5 m)
Overall Length (OAL)	26' 4" (8.0 m)	27' 10" (8.5 m)	30' 4" (9.2 m)
Unit Length (UL)	25' 7" (7.8 m)	27' 1" (8.3 m)	29' 7" (9.0 m)
Center of Rotation (H)	–	–	–
Cab to Axle (CA)	108 in. (274.3 cm)	120 in. (304.8 cm)	120 in. (304.8 cm)
Wheel Base (WB)	174 in. (442.0 cm)	188 in. (447.5 cm)	188 in. (447.5 cm)
Front Axle (FA)	10,500 lb. (4,763 kg)	12,000 lb. (5,443 kg)	12,000 lb. (5,443 kg)
Rear Axle (RA)	19,000 lb. (8,618 kg)	19,000 lb. (8,618 kg)	19,000 lb. (8,618 kg)
Gross Vehicle Weight Rating (GVWR)	29,500 lb. (13,381 kg)	31,000 lb. (14,061 kg)	31,000 lb. (14,061 kg)
Recommended Weight for Stability	26,000 lb. (11,793 kg)	26,000 lb. (11,793 kg)	26,000 lb. (11,793 kg)
Frame Section Modulus	18.0 in ³	18.0 in ³	18.0 in ³
Frame Yield Strength	50,000 psi	50,000 psi	50,000 psi
Frame RBM	900,000 in-lbs	900,000 in-lbs	900,000 in-lbs



TEREX®

500 Oakwood Drive
PO BOX 1150
Watertown, SD 57201-6150
USA

Phone: (605) 882-4000
Facsimile: (605) 882-1842
www.terexutilities.com
E-mail: utilities.info@terex.com

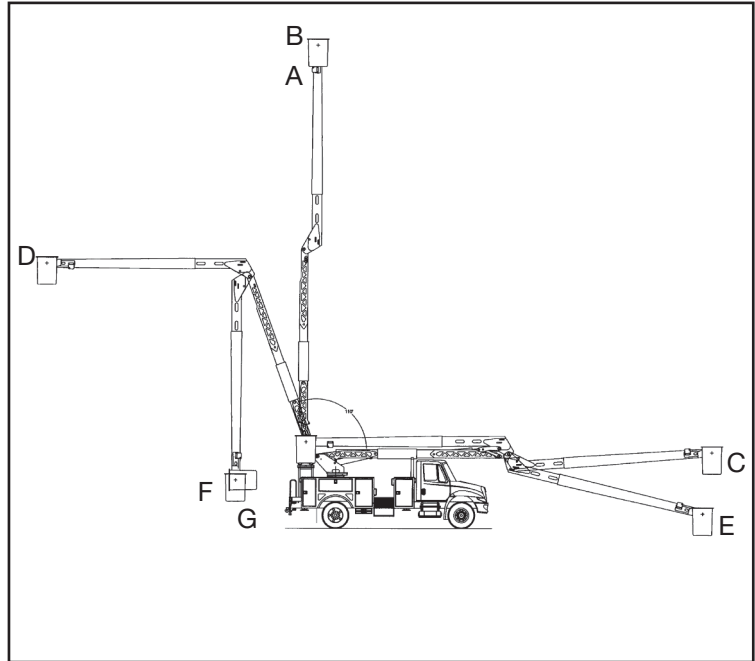
Distributed By:

HRX SERIES

Hi-Ranger Overcenter Material Handling Aerial Device

STANDARD EQUIPMENT

- Side Mount 24" x 30" x 42" One-Person Platform
- Platform Capacity of up to 600 lbs. (272.2 Kg)
- Control-Plus "3-D" Single Stick at Platform
- Safety Harness With Attached Lanyard
- Continuous Unrestricted Worm Gear Rotation
- Category "C" Rating Per ANSI A92.2
- Rectangular, Bi-Axial Epoxy Resin, Filament Wound Fiberglass Booms
- Individual Lever Lower Controls
- Hydraulic Platform Rotator
- Hydraulic Platform Tilt at Upper and Lower Controls
- Hydraulic Lower, Mechanical Upper Platform Leveling
- Two Speed Throttle Control at Upper Controls
- 194° of Upper Boom Articulation
- 110° of Lower Boom Articulation
- Non-Compensated Boom Design
- Full Pressure, Open-Center Hydraulic System
- 35 Gallon Hydraulic Oil Reservoir
- Padded Boom Rests with Upper Boom Tie Down
- Boom Interlock
- Moving Outrigger Alarm
- Truck Level Indicator



CAPACITIES & DIMENSIONAL DATA (Based on a 40 Inch Frame Height)

	A		B	C	D			E		F	
	Bottom of Platform	Working Height	Overcenter Side Reach	Non-Overcenter Side Reach at 100°	Non-Overcenter Side Reach at 110°	Non-Overcenter Side Reach at 120°	Non-Overcenter Side Reach at 120° with Ground Access	Bottom of Platform Below Ground Overcenter	Rotated, Platform Lip to Ground at 100°	Rotated, Platform Lip to Ground at 110°	Rotated, Platform Lip to Ground at 120°
HRX52	52.3 ft (15.9 m)	57.3 ft (17.4 m)	45.3 ft (13.8 m)	33.7 ft (10.3 m)	37.4 ft (11.4 m)	40.3 ft (12.3 m)	41.7 ft (12.7 m)	-4.7 in (-11.9 cm)	45.2 in (114.8 cm)	32.3 in (82.0 cm)	16.7 in (42.4 cm)
HRX55	55.3 ft (16.9 m)	60.3 ft (18.4 m)	48.3 ft (14.7 m)	35.5 ft (10.8 m)	39.4 ft (12.0 m)	42.5 ft (13.0 m)	42.9 ft (13.1 m)	-8.9 in (-22.6 cm)	44.9 in (114.0 cm)	31.4 in (79.8 cm)	14.6 in (37.1 cm)
HRX60	60.3 ft (18.4 m)	65.3 ft (20.0 m)	53.3 ft (16.2 m)	38.4 ft (11.7 m)	42.8 in (13.0 m)	46.2 ft (14.1 m)	46.7 ft (14.2 m)	-15.9 in (-40.4 m)	44.0 in (111.8 cm)	29.0 in (73.7 cm)	10.6 in (26.9 cm)

	G			
	Bottom of Platform to Ground at 100°	Bottom of Platform to Ground at 110°	Bottom of Platform to Ground at 120°	Bottom of Platform to Ground at 120° with Ground Access
HRX52	55.2 in (140.2 cm)	42.4 in (107.2 cm)	26.7 in (67.8 cm)	8.0 in (20.3 cm)
HRX55	54.9 in (139.4 cm)	41.3 in (104.9 cm)	24.6 in (62.5 cm)	7.0 in (17.8 cm)
HRX60	54.4 in (138.2 cm)	39.5 in (100.3 cm)	21.1 in (53.6 cm)	3.9 in (9.9 cm)

OPTIONAL EQUIPMENT

- Various Side Mount Platform
- Various Platform Covers
- Liners With or Without Steps
- 24" Platform Lifter
- Jib Options
 - Hydraulic Jib Extension Systems
 - Hydraulic Articulating Jib/Winch, Side Mt. 2000 lbs.
 - Single Wire/46 Kv Insulated Single Line Lifter / Multi-Phase Attachments
- Category "A" or "B" per ANSI A92.2
- 100° and 120° Optional Lower Boom Articulation
- 120° Lower Boom Articulation with Platform Ground Access
 - Adds 18" to Platform Offset, Stored Position
- Lower Boom Lifting Eye
- Automatic Upper Boom Latch
- Hydraulic Lifts: 13 ft., 15 ft., and 25 ft.
- Hydraulic Tool Outlets
- Engine Stop/Start
- Auxiliary Power
- Auxiliary Let Down System
- Demand Throttle
- Boom Overstow Protection
- Boom/Boom Stow Interlock
- Boom Storage Warning Light
- Outrigger Sag Light
- Various Types of Outriggers
- Truck Grounding Cable & Clamp
- Hybrid Enable
- HyPower™ Hybrid System by Terex®

Effective Date: March, 2010. Product specifications and prices are subject to change without notice or obligation. The photographs and/or drawings in this document are for illustrative purposes only. Refer to the appropriate Operator's Manual for instructions on the proper use of this equipment. Failure to follow the appropriate Operator's Manual when using our equipment or to otherwise act irresponsibly may result in serious injury or death. The only warranty applicable to our equipment is the standard written warranty applicable to the particular product and sale and Terex makes no other warranty, express or implied. Products and services listed may be trademarks, service marks or trade-names of Terex Corporation and/or its subsidiaries in the USA and other countries. All rights are reserved. Terex® is a registered trademark of Terex Corporation in the USA and many other countries. Copyright 2010 Terex Corporation.