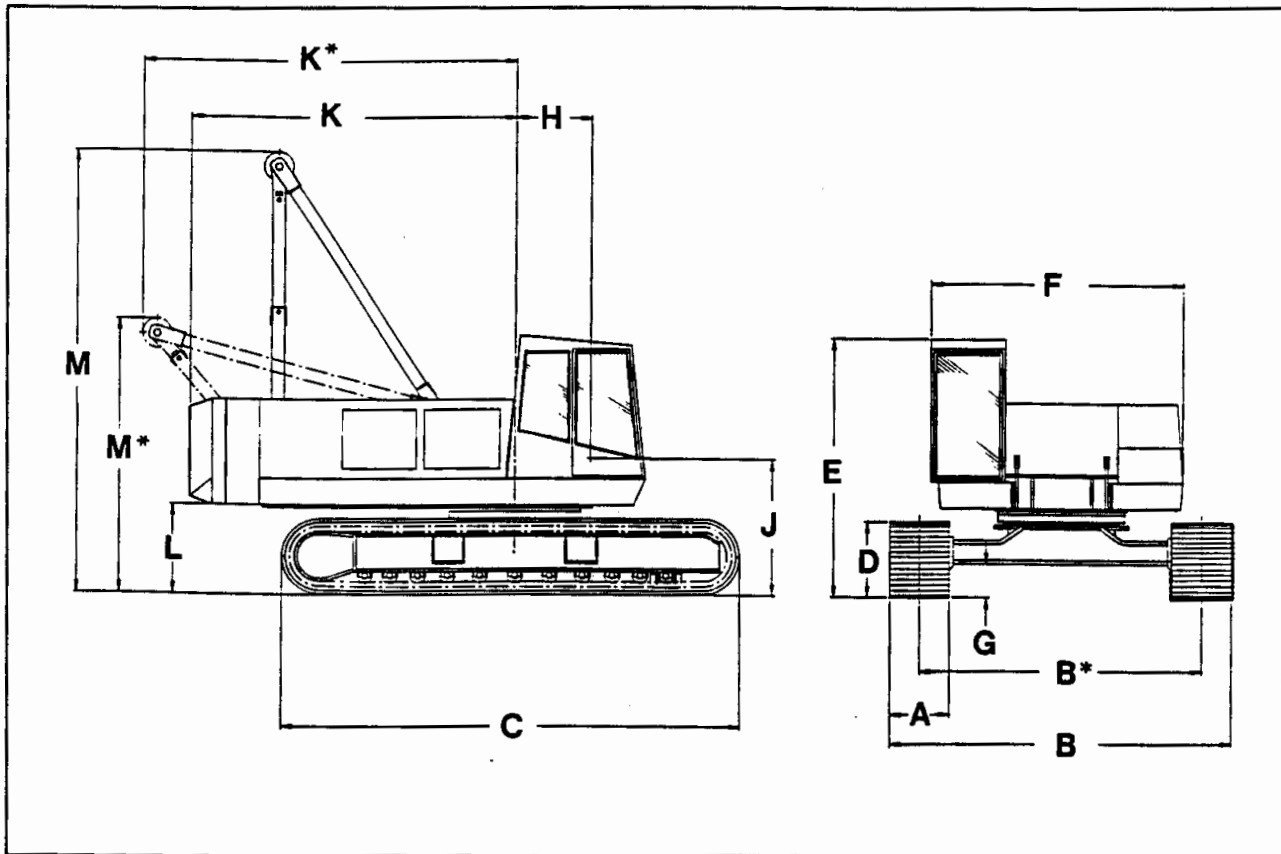


MACHINE WEIGHTS & DIMENSIONS

Machine dimensions



		mm
A	Width of track plates	750
B	Width of tracks extended	4540
B*	Width of tracks retracted	3480
C	Length of tracks	6340
D	Height of tracks	1092
E	Height of operator's cab (with cab guard)	3456
F	Width of upperworks	3195
G	Grounds clearance under machine	469
H	Boom foot pin centre of rotation	940
J	Height of boom foot pin	1874
K	Radius of rear end	4085
K*	Radius over folded 'A' frame	5046
L	Clearance under revolving frame	1249
M	Height over 'A' frame	5656
M*	Height over folded 'A' frame	3463

MACHINE WEIGHTS & DIMENSIONS

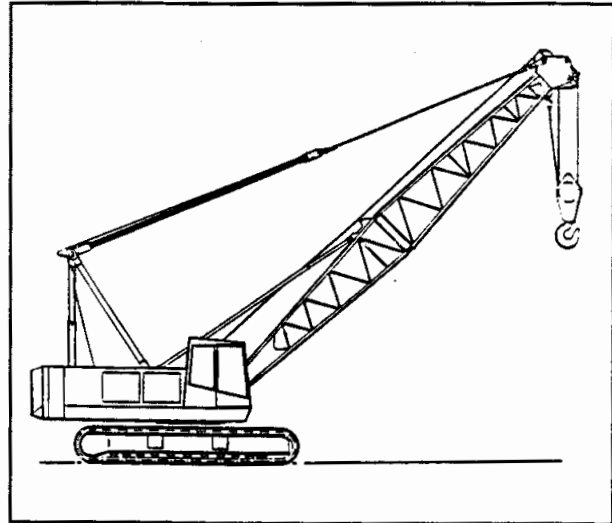
Transportation weights

Machine weight (approximate): Machine with basic 12 metre boom.

Machine	kg	lb
Lifting equipment	56700	125000
*Dragline equipment	56700	125000
*Grabbing equipment	56300	124120
*Not illustrated		

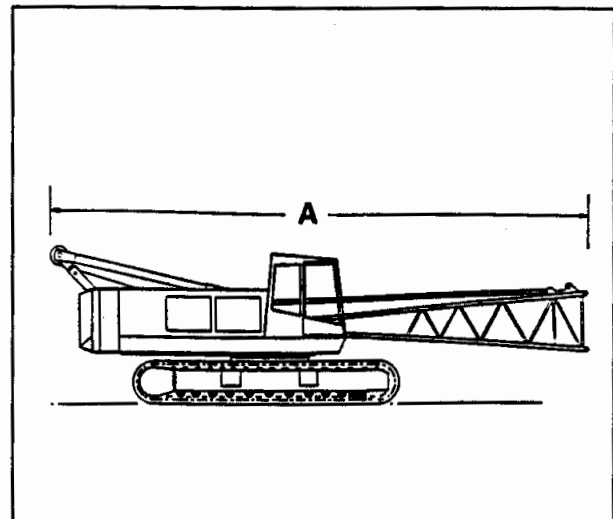
Ground bearing pressure

Machine with basic boom	
kg/cm ²	lbf/in ²
0.67	9.6



Basic machine c/w lower boom

Weight		Dimension 'A'
kg	lb	mm
54578	118559	11638



Basic machine weight (approximate)

kg	lb
53778	118559

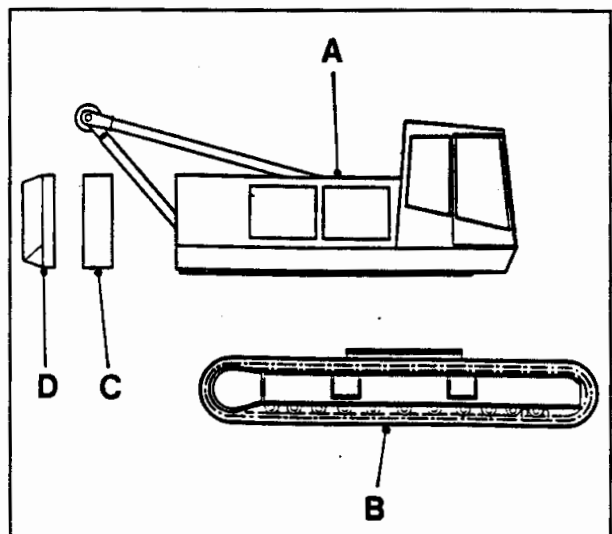
Base machine component weight breakdown

A Upper works
13635 kg 30060 lb

B Lower works
20843 Kg 45950 lb

*C Inner counterweight
9700 Kg 21385 lb

*D Outer counterweight
9600 Kg 21164 lb



*Note: The counterweight may vary slightly for stability requirements. Actual weight is stamped on the respective counterweights.

6.3.3

TRANSPORTATION

MACHINE WEIGHTS & DIMENSIONS

Front-end equipment (basic)

Lower boom

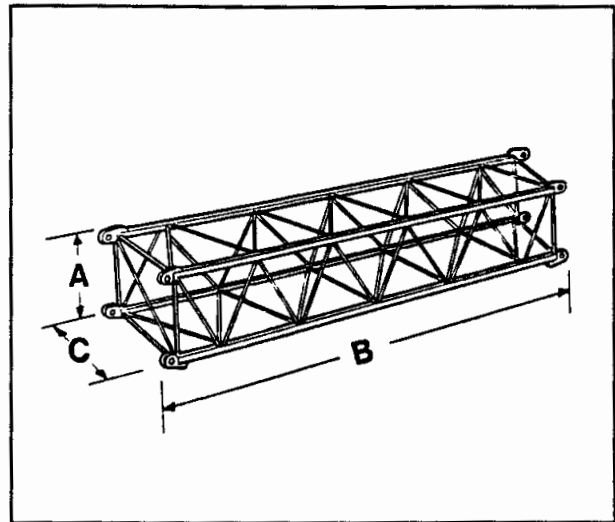
Weight	Dimensions (L x W x H)		
	kg	lb	mm
800	1765	6172 x 1530 x 1588	243 x 60 x 63

Upper boom

Weight	Dimensions (L x W x H)		
	kg	lb	mm
725	1598	6440 x 1538 x 1416	254 x 61 x 56

Front-end equipment (optional)

Boom intersection



Intersection length	Weight		Dimensions					
	kg	lb	A		B		C	
			mm	in	mm	in	mm	in
3.00m extension	268	590	1416	56	3124	123	1530	60
6.00m extension	457	1007	1416	56	6124	241	1530	60
9.00m extension	646	1424	1478	58	9124	359	1530	60

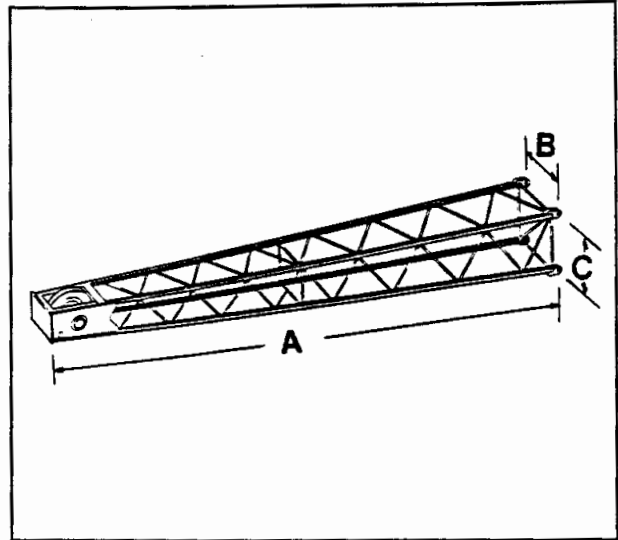
MACHINE WEIGHTS & DIMENSIONS

Front-end attachments (optional)

Offset jib

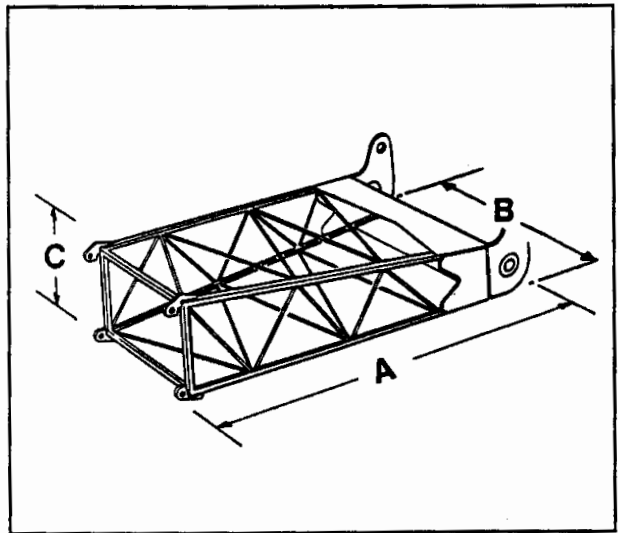
Top section, c/w sheave.

Weight		Dimensions					
Kg	lb	A		B		C	
		mm	in	mm	in	mm	in
233	514	4902	193	660	26	610	24



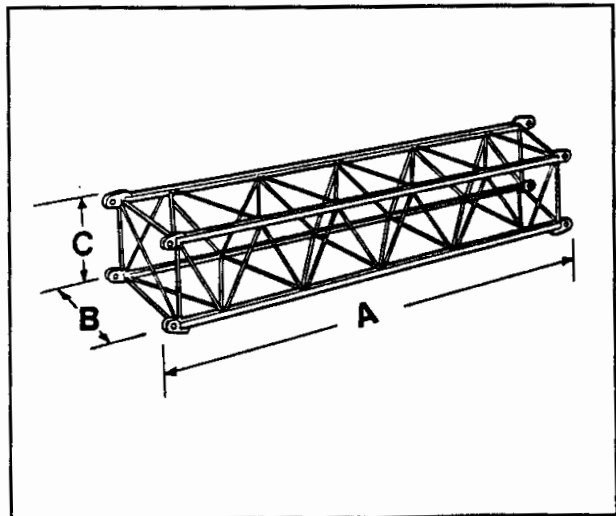
Bottom section.

Weight		Dimensions					
Kg	lb	A		B		C	
		mm	in	mm	in	mm	in
89	196	1626	64	908	36	660	26



Intersection

Weight		Dimensions					
Kg	lb	A		B		C	
		mm	in	mm	in	mm	in
155	342	6147	242	660	26	610	24



Offset jib mast c/w sheaves (not illustrated)

Weight 157 Kg 347 lb