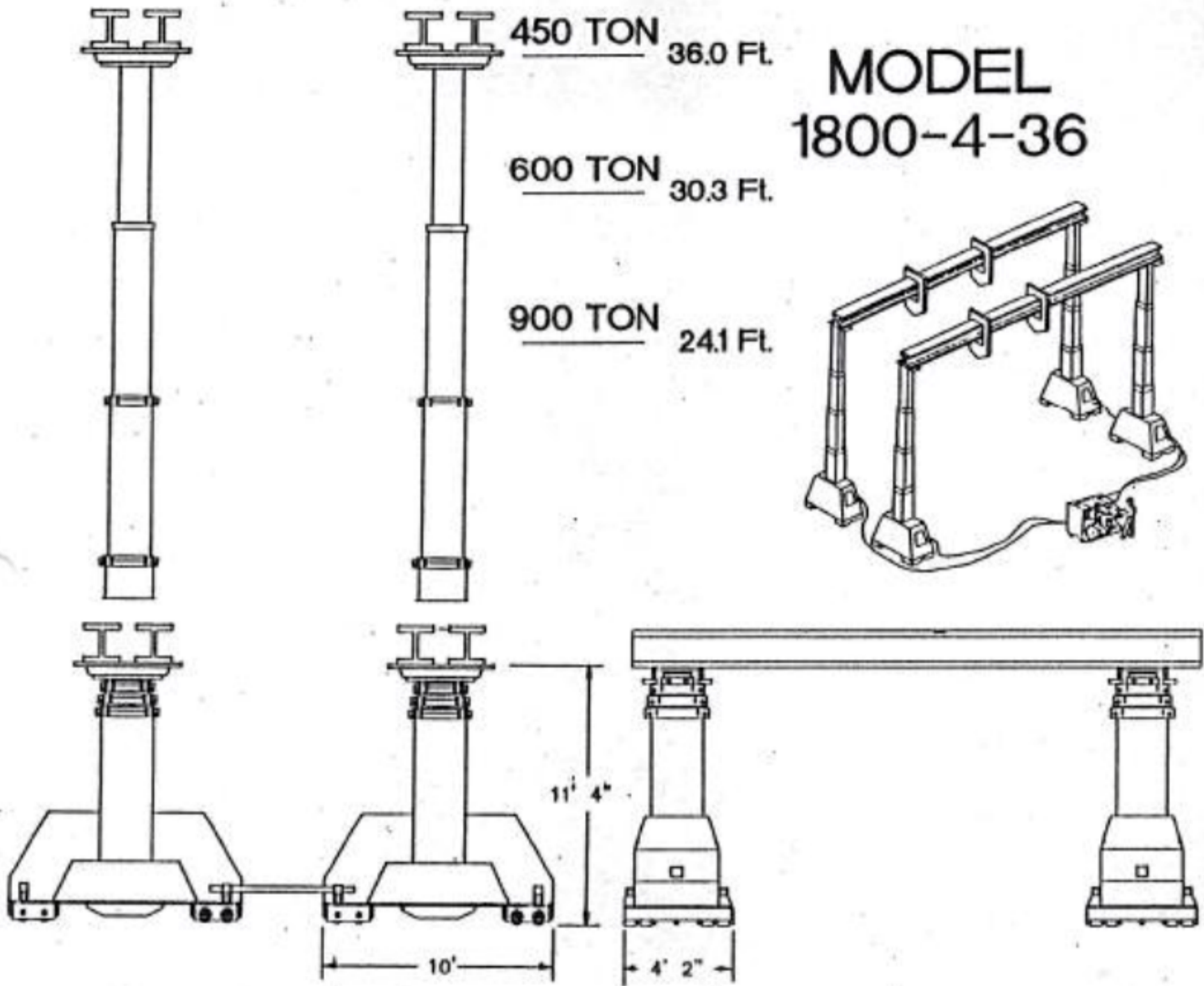


# LIFT-~~2~~-LOCK

## HYDRAULIC BOOM GANTRY

MODEL  
1800-4-36



### STANDARD EQUIPMENT

- Telescopic Boom
- Power Up and Down Telescopic Cylinder
- Oscillating/Rotating Header Plate
- High Strength Wheels

### OPTIONAL EQUIPMENT

- Automatic Cam Locking System
- Continuous Planetary Propel
- Two Speed Hydraulic System
- Full Power Manual Section
- Diesel or Propane Power Unit