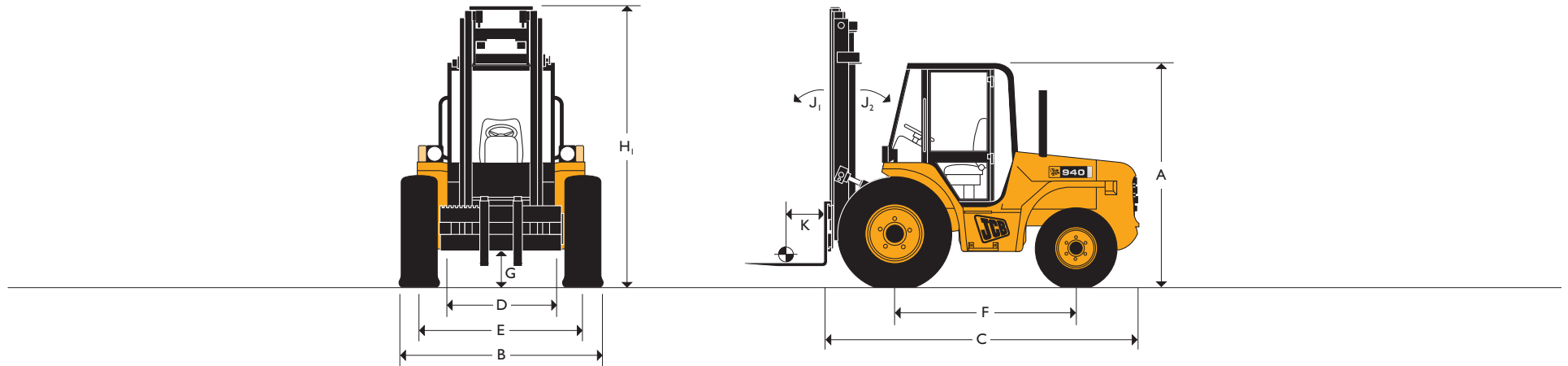


OPERATING WEIGHTS: 7100 to 7500 kg LIFT CAPACITY: 4.0 tonnes



DIMENSIONS

Machine model	940
	m (ft-in)
A Overall cab height	2.57 (8-5)
B Overall width (over tyres)	2.20 (7-2½)
C Overall length to front carriage (industrial or bar)	3.58 (11-9)
D Inside width of cab	1.16 (3-9½)
E Front track	1.80 (5-11)
F Wheel base	
2WD	2.07 (6-9½)
4WD	2.13 (7-0)
G Ground clearance	
2WD	0.37 (1-2½)
4WD	0.37 (1-2½)
H ₁ Mast closed height	
3.6m Duplex mast	2.85 (9-4)
4.5m Triplex mast (with freelif)	2.54 (8-4)
5.5m Triplex mast	2.85 (9-4)
6.7m Triplex mast	3.25 (10-8)

The above data based on the following specification: Standard fork size 1067 x 100 x 50 mm (42 x 4 x 2 in)

Machine model	940
	m (ft-in)
H ₂ Mast open height	
3.6m Duplex mast	4.84 (15-10)
4.5m Triplex mast (with freelif)	5.81 (19-1)
5.5m Triplex mast	6.73 (22-1)
6.7m Triplex mast	7.84 (25-9)
J ₁ Mast tilt forwards	10°
J ₂ Mast tilt backwards	10°
Outside turn radius	2WD/4WD
Overall weight	2WD/4WD
Departure angle	2WD/4WD degrees
Obstruction angle	2WD/4WD degrees
Standard tyres (UK) front	16.5/85-24 Traction
Rear 2WD	12.5/80-18 Rib and bar
Rear 4WD	12.5/80-18 Traction
K Load centre	0.50 (1-8)

The above data based on the following specification: Standard fork size 1067 x 100 x 50 mm (42 x 4 x 2 in)

ENGINE

		940
Model		JCB Diesel TC-63
Displacement	litres	4.4
Fuel		Diesel
Cooling		Liquid
Bore	mm	103
Stroke	mm	132
Gross power		
ISO 14396 @ 2200rpm	kW (hp)	63.0 (84)
Gross torque		
ISO 14396 @ 1300rpm	Nm (lbf ft)	350 (258)
Emission certification		EC Stage IIIA/USA EPA Tier 3
Engine oil service intervals		500 hours

TRANSMISSION

For unbeatable drive power in all conditions, the JCB Syncro Shuttle combines a 4-speed, fully synchromesh gearbox with integral torque converter and electrically operated reversing shuttle for smooth gear changes on the move and fast cycle times. Column mounted electric switch effortlessly controls machine direction changes allowing operator to keep hands on steering wheel. Automotive style pedal layout and conventional H-pattern gear lever add to ease of operation. Travel speed 29.0km/h (18mph). **Front drive axle:** JCB epicycle hub reduction drive axle with Max-Trac torque proportioning differentials. **Rear steer axles:** JCB manufacture with hydrostatic power steering. Steer shock valve as standard. 4WD versions with epicyclic hub reduction and Max-Trac torque proportioning differentials.

BRAKES

Service brakes: Hydraulic servo assisted, self-adjusting, oil-immersed in-board multi-disc type in front axle.
Parking brake: Hand operated disc brake on output of gearbox.

MASTS AND CARRIAGES

Clearview masts manufactured from channel and I-section steel. Heavy duty mast chains. Guide roller bearings are sealed for life. Industrial class III carriage as standard for 60" width available for all masts and 84" on the 5.5 metre mast. All carriages have side thrust rollers. Adjustable right hand tilt ram. Floating fork carriage optional.

HYDRAULICS

Single gear pump with steer priority valve, suction strainer and filter. Operating system pressure: 221 bar (3200psi), flow 55 ltr/min (12.5gal/min). Pipe burst protection on mast hydraulics.

AUTOMATIC DERATION

Deration valve: 5.5m and 6.70m masts are fitted with a deration valve which automatically reduces lift capacity above 4.5m for safety and stability.

SERVICE CAPACITIES

	litres (UK gal)
Fuel tank	88 (19.0)
Hydraulic tank	60 (13)
Coolant	17 (3.7)

ELECTRICS

12v negative earth. 95Ah battery. 65 amp alternator. Full road lighting, direction indicators, hazard warning reverse and fog light.

OPERATOR MODULE

Safety quiet cab or canopy, FOPS standard (falling object protective structure) to FEM Section IV and ANSI B56.6 – 1978.

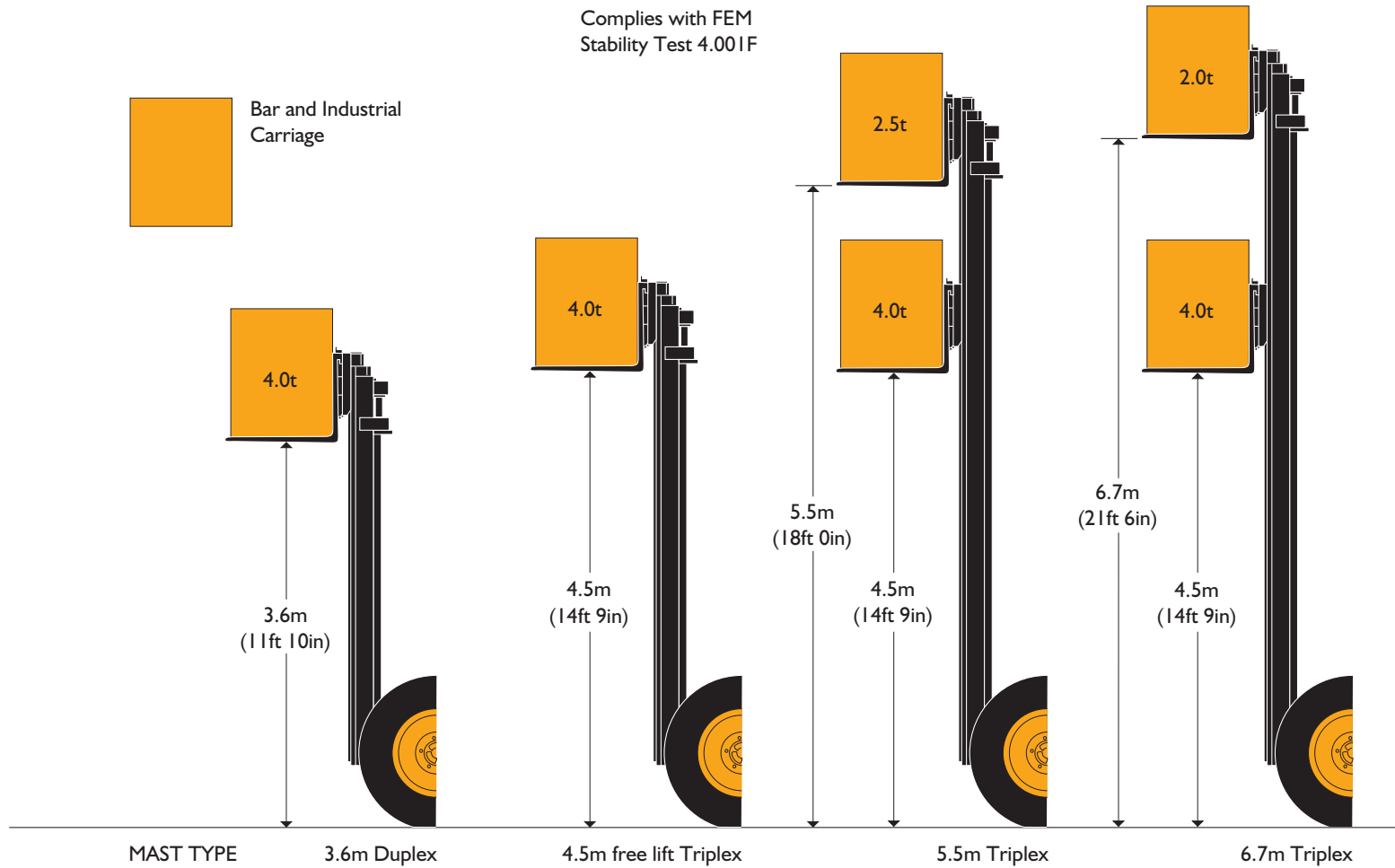
Cab: resiliently mounted, two door access, level floor with mat, safety glass all round with laminated roof window, bolt on roof bars. Fitments include: velour seat, rear view mirror and 2 speed heater/demister. Front/Rear screen wiper and washer, horn. Handbook. Instruments for hourmeter battery charge. Audible/Visual warning system for alternator charge, coolant temperature, engine oil pressure, blocked air filter, transmission oil pressure and temperature. Warning lights for: main beam, hazard warning, park brake on, direction indicators. Hydraulic control levers, gear lever, park brake, forward/reverse lever, 4WD disconnect, throttle, brake, and transmission disconnect pedal.

Canopy: as above but with no glazing (screen wiper and heater/screen demister not applicable), and rear fenders are standard.

OPTIONS AND ATTACHMENTS

Auxiliary carriage services via hose reel for powered attachments. Wheel and tyres sets. Tinted cab glazing. Suspension seat. Seat belt. Roof screen wash/wipe. Flashing roof beacon. Fire extinguisher. Cab exterior mirrors. Front screen bars. Optional rear fenders. Reversing lights. Propshaft guards. Chaff guard. Air pre-cleaner. Engine fan guard kit. Hose guard kits. Load guard. Contact your local dealer for details of the comprehensive range of attachments.

940 CAPABILITIES



A GLOBAL COMMITMENT TO QUALITY

JCB's total commitment to its products and customers has helped it grow from a one-man business into Britain's largest privately owned manufacturer of backhoe loaders, crawler excavators, wheeled excavators, telescopic handlers, wheeled loaders, dump trucks, rough terrain fork lifts, industrial fork lifts, mini/midi excavators, skid steer loaders, tractors and compaction equipment.

By making constant and massive investments in the latest production technology, the JCB factories have become some of the most advanced in the world.

By leading the field in innovative research and design, extensive testing and stringent quality control, JCB machines have become renowned all over the world for performance, value and reliability.

And with a global sales and service network of more than 650 dealers and agents, we aim to deliver the best customer support in the industry.

Through setting the standards by which others are judged, JCB has become one of the world's most impressive success stories.

