

PK 8501

Performance

PALFINGER CRANE



ITS GREAT OUTREACH OPENS UP NEW POSSIBILITIES



IDEAL FOR PUBLIC SERVICE ACTIVITIES

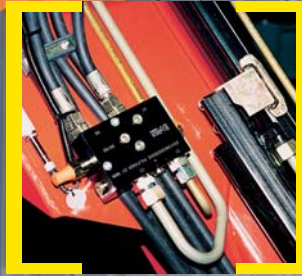
Versatility is the speciality of the PK 8501 *Performance*. Whether in grab duty, or loading goods and machinery this crane impresses in every situation.

The crane's outreach and technology complement each other perfectly; by means of the High Power Lifting System (HPLS), for example, the lifting capacity can be increased and the working speed slightly reduced.



Return Oil Utilization

The high speed of the boom extension system is impressive. It results from the return oil utilization feature, which is installed as standard, and the generously dimensioned hydraulic pipes. This increases the operating speed by 30 per cent.



Load-holding valves

They prevent the crane booms from dropping and are fitted as standard on the main boom cylinder, the extension boom cylinders, and the swivel cylinder. The valves are positioned in such a way that they are protected from being damaged.



Central lubrication

For all bearings on the base frame.

Advanced Package

- HPLS
- Radio remote control
- PALTRONIC 50
- Oil cooler
- External 100 l additional tank



REACH EVEN MORE



Hose equipment for accessories

This option provides the oil supply for accessories. The hoses are routed in compact hose trays and are therefore well protected.

Internally routed oil ducts

The internally routed oil passages make it possible to have a compact boom design for the boom extension system and ensure perfect protection from damage.



Extension Boom System

- The extension boom cylinders are guided on Jordal rails over guide blocks.
- Optimal height compensation of the extension cylinders.



KTL – the cathodic dip painting

The shot-blasted crane parts are covered in zinc phosphate in an immersion process and coated electro-statically. The subsequent two-component top coating of paint provides a surface protection which in the past was usually only found in the automotive industry.



Large outrigger widths

The PK 8501 *Performance* can be fitted on all standard truck chassis. Three outrigger widths are possible: 3.2 m (10' 6") mechanical, 4.9 m (16' 1") mechanical or hydraulically, and 5.6 m (18' 4") hydraulically.



MAXIMUM SAFETY

Max. lifting capacities

PK 8501 Performance			
hydraulic			
Max. lifting capacities		5400 kg	11900 lbs
Outreach		Capacity	
3.9 m	12' 10"	2040 kg	4500 lbs
5.4 m	17' 9"	1450 kg	3200 lbs

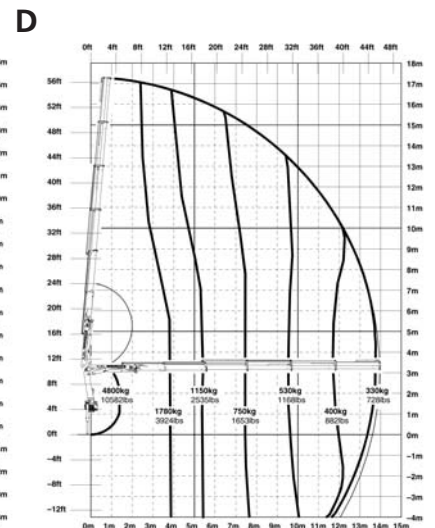
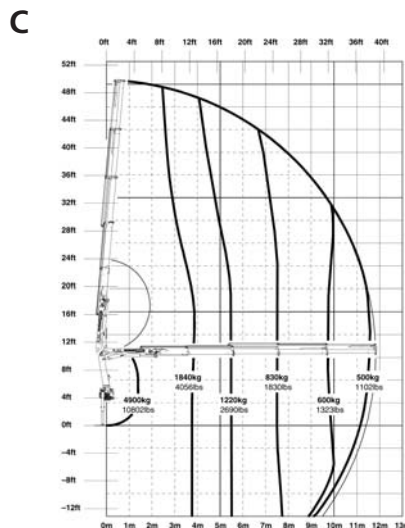
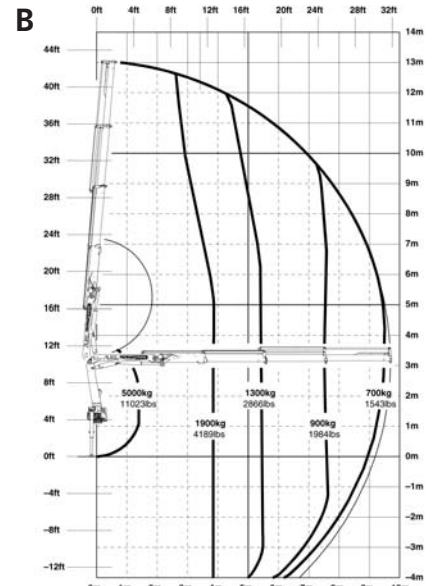
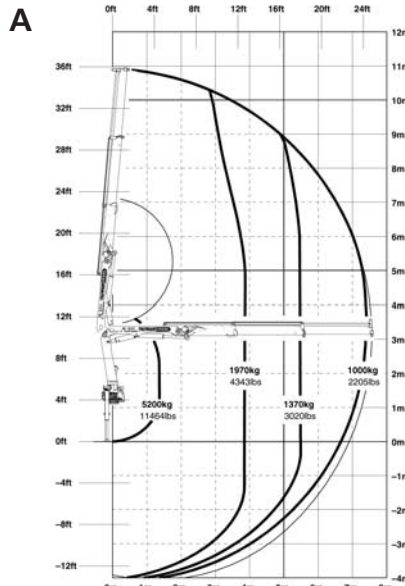
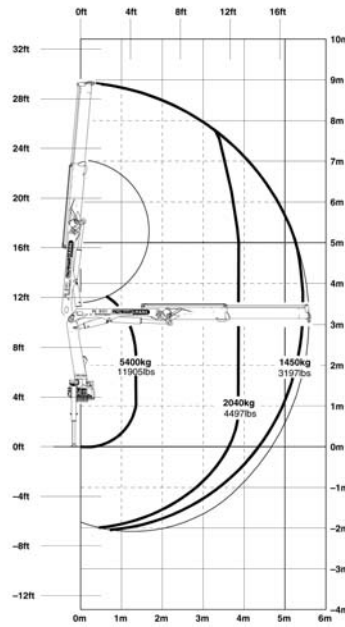
PK 8501 A Performance			
hydraulic			
Max. lifting capacities		5200 kg	11460 lbs
Outreach		Capacity	
3.9 m	12' 10"	1970 kg	4340 lbs
5.4 m	17' 9"	1370 kg	3020 lbs
7.4 m	24' 3"	1000 kg	2200 lbs

PK 8501 B Performance			
hydraulic			
Max. lifting capacities		5000 kg	11020 lbs
Outreach		Capacity	
3.9 m	12' 10"	1900 kg	4190 lbs
5.4 m	17' 9"	1300 kg	2870 lbs
7.4 m	24' 3"	900 kg	1980 lbs
9.6 m	31' 6"	700 kg	1540 lbs
manual			
11.7 m	38' 5"	530 kg	1170 lbs
13.7 m	44' 11"	420 kg	930 lbs
15.7 m	51' 6"	340 kg	750 lbs

PK 8501 C Performance			
hydraulic			
Max. lifting capacities		4900 kg	10800 lbs
Outreach		Capacity	
3.9 m	12' 10"	1840 kg	4060 lbs
5.4 m	17' 9"	1220 kg	2690 lbs
7.4 m	24' 3"	830 kg	1830 lbs
9.6 m	31' 6"	600 kg	1320 lbs
11.7 m	38' 5"	500 kg	1100 lbs
manual			
13.7 m	44' 11"	390 kg	860 lbs
15.7 m	51' 6"	310 kg	680 lbs

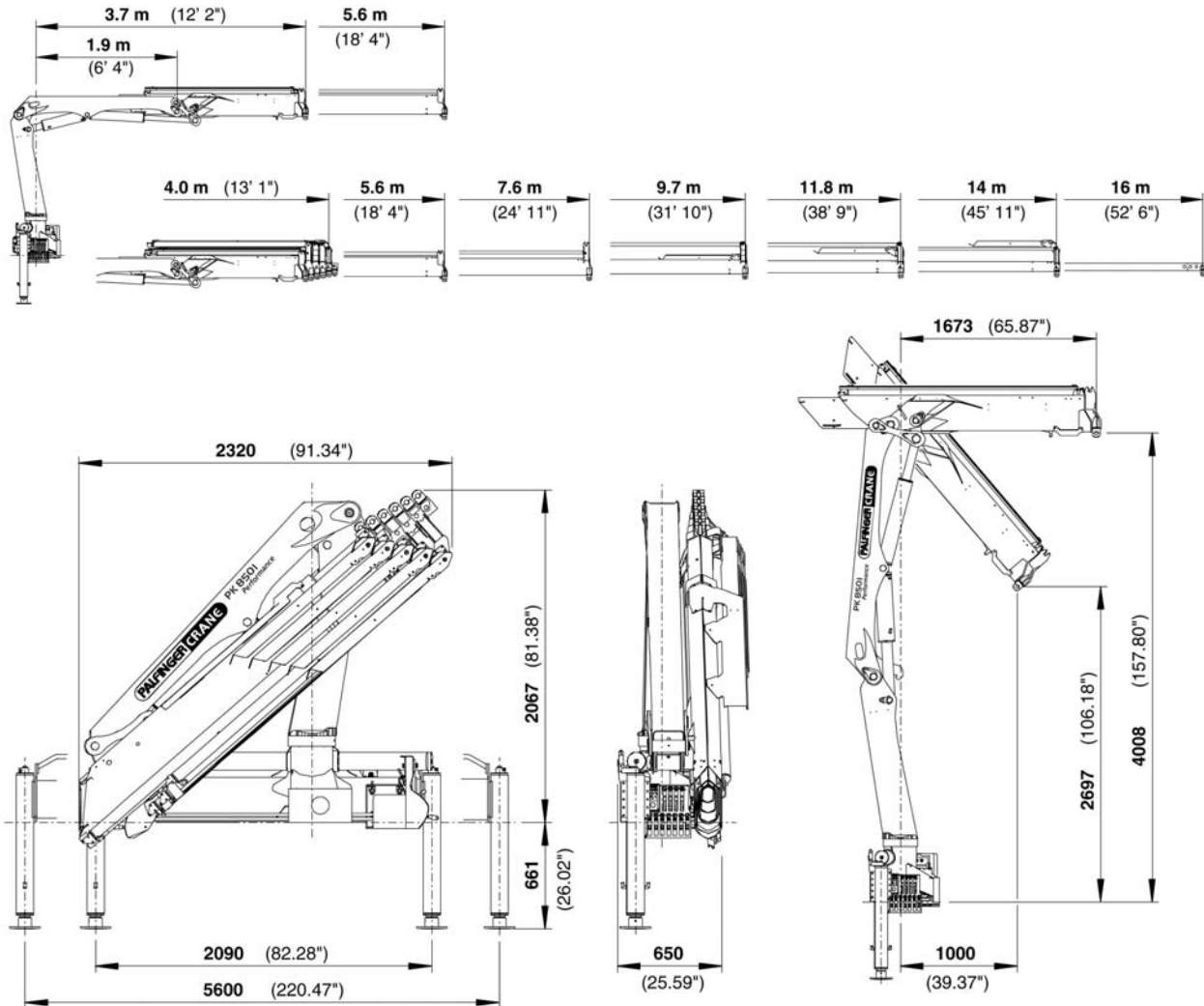
PK 8501 D Performance			
hydraulic			
Max. lifting capacities		4800 kg	10580 lbs
Outreach		Capacity	
3.9 m	12' 10"	1780 kg	3920 lbs
5.4 m	17' 9"	1150 kg	2540 lbs
7.4 m	24' 3"	750 kg	1650 lbs
9.6 m	31' 6"	530 kg	1170 lbs
11.7 m	38' 5"	400 kg	880 lbs
13.8 m	45' 3"	330 kg	730 lbs
manual			
15.8 m	51' 10"	260 kg	570 lbs

PK 8501 Performance



The outreaches stated are with a boom angle of 20° and are therefore not the maximum.

INNOVATIVE HPLS TECHNOLOGY



PK 8501 Performance		
Technical Specifications		
Max. lifting moment	7.9 mt/77.5 kNm	57140 ft.lbs
Max. lifting capacity	5400 kg/53.0 kN	11900 lbs
Max. hydraulic outreach	14.0 m	45' 11"
Max. outreach	16.0 m	52' 6"
Slewing angle	400°	

PK 8501 Performance		
Standard crane		
Slewing torque	0.9 mt/8,8 kNm	6490 ft.lbs
Outreach	5.6 m	18' 4"
Stabilizer spread standard	3.2 m	10' 6"
Stabilizer spread maximal	5.6 m	18' 4"
Fitting space required	0.65 m	2' 2"
Width folded	2.3 m	7' 7"
Max. operating pressure	330 bar	4785 psi
Recommended pump capacity	from 40 l/min	8.8 imp.gal/min 10.6 US gal./min
RC and LS-system	to 50 l/min	11.0 imp.gal/min 13.2 US gal./min
Dead weight standard crane	945 kg	2080 lbs

Applications shown in the leaflet do not always correspond to the standard specifications. Design and specification are subject to change without prior notice.