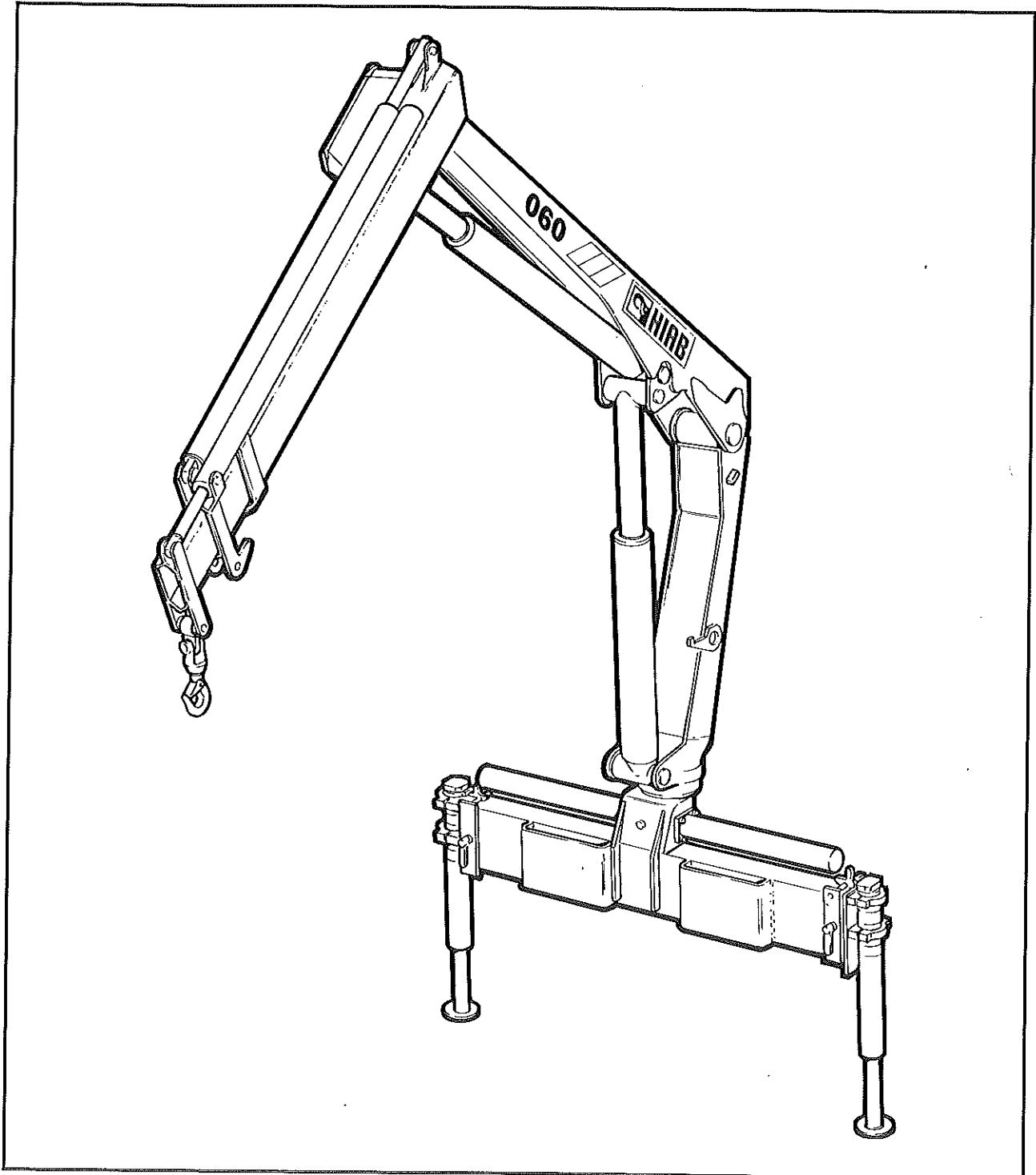
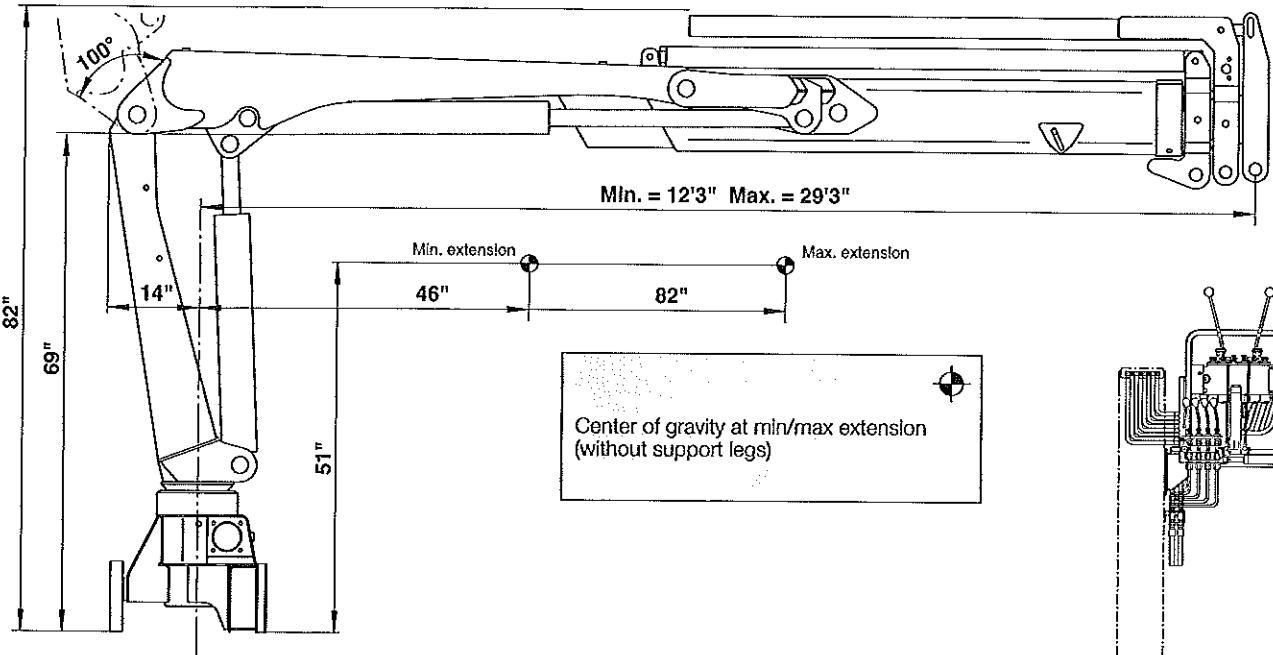


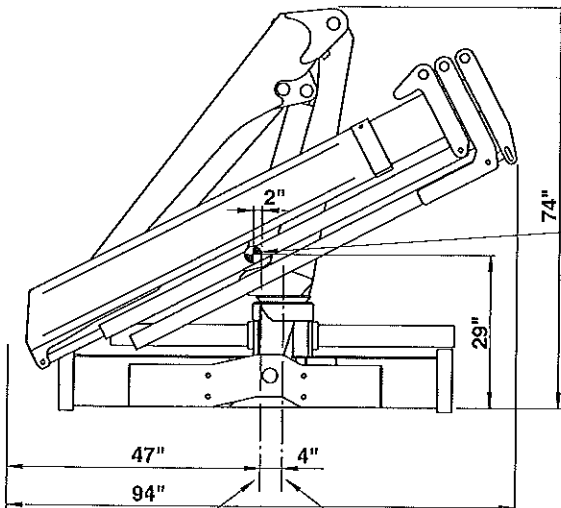
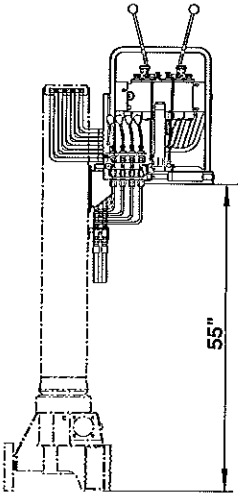
# HIAB 060

## TECHNICAL DATA

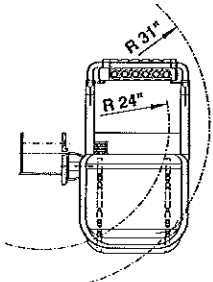




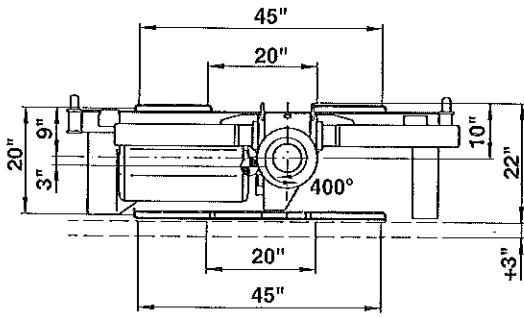
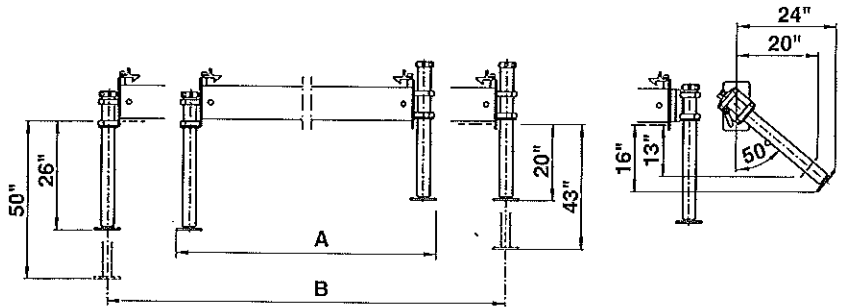
Center of gravity at min/max extension (without support legs)



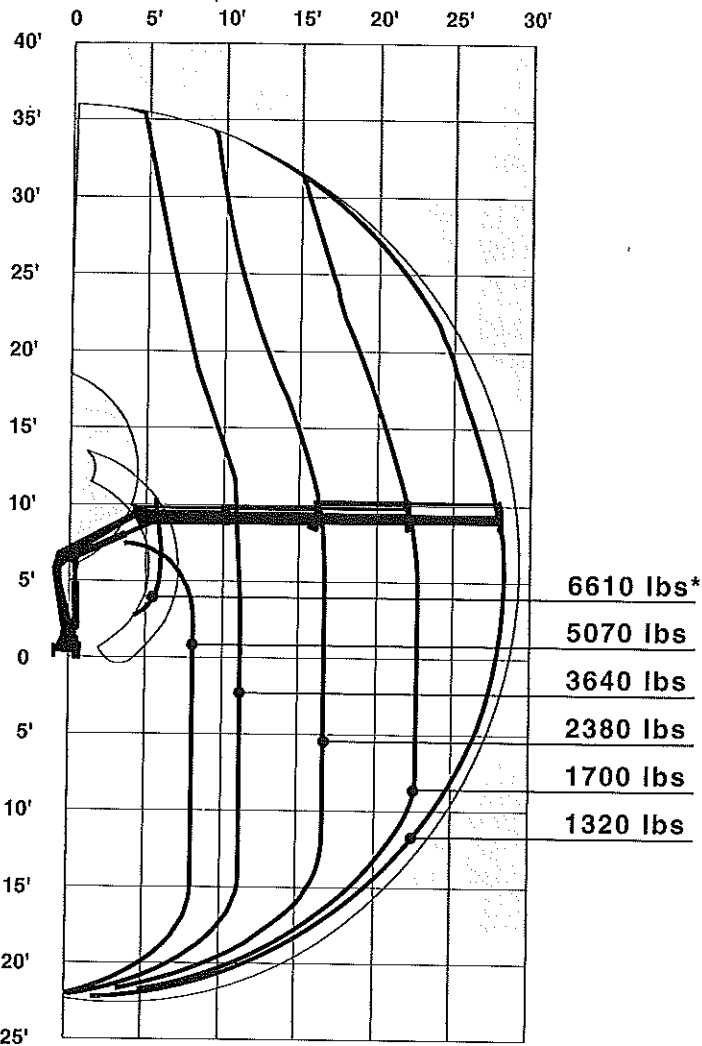
Center of gravity for crane in transport position (without support legs)



Center of frame base      Center of crane



	A	B	Weight lbs
Fixed outrigger legs	85"		154
Outrigger legs, manually extendable	85"	126"	242
	85"	177"	364
	93"	205"	408



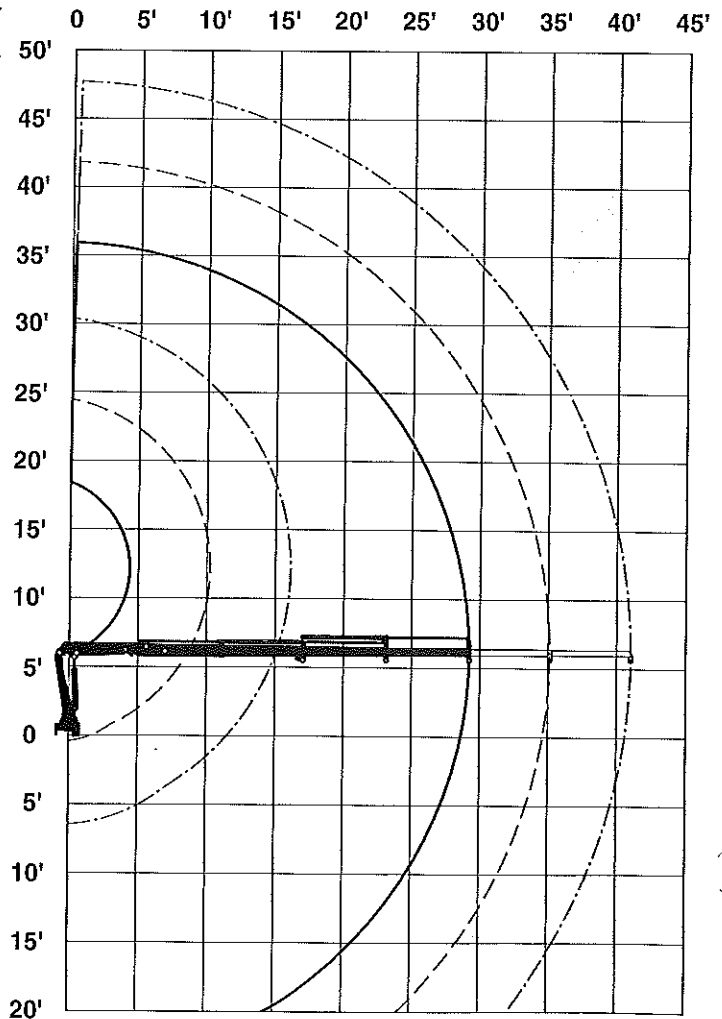
## LOAD DIAGRAM

To the left of the curve the indicated loads can be handled with any loader function provided that the positions of the booms are optimized from a force point of view.

— Standard hook attachment  
 \* Inner hook attachment

## RANGE DIAGRAM

— Range diagram for hydraulic telescoping extensions  
 - - - Range diagram with manual extensions step 1  
 - · - Range diagram with manual extensions step 2  
 - · · - Range diagram with manual extensions step 3



<b>TECHNICAL DATA</b>	<b>HIAB 060-1</b>	<b>HIAB 060-2</b>	<b>HIAB 060-3</b>
Lifting capacity, max.	45 325 ft.lbs	41 500 ft.lbs	37 150 ft.lbs
Hydraulic outreach, standard	17' 1"	23' 2"	29' 3"
Hydraulic boom extension	5' 7"	11' 2"	17' 1"
Extension cylinder pulling force	9 450 lbs	9 450 lbs	9 450 lbs
Extension cylinder pushing force	5 175 lbs	5 175 lbs	5 175 lbs
Outreach, manual extension	35' 1"	41' 0"	41' 0"
Lifting height above installation level, hydr./man.	23' 0" / 42' 0"	29' 6" / 47' 3"	38' 9" / 47' 3"
Outreach – lifting capacity, standard **	5' 11" – 7 500 lbs * 8' 2" – 5 510 lbs 10' 6" – 4 300 lbs 16' 5" – 2 760 lbs	5' 11" – 7 050 lbs * 7' 10" – 5 290 lbs 10' 6" – 3 970 lbs 16' 5" – 2 560 lbs 22' 4" – 1 870 lbs	5' 11" – 6 610 lbs * 7' 7" – 5 070 lbs 10' 6" – 3 620 lbs 16' 5" – 2 380 lbs 22' 4" – 1 700 lbs 28' 3" – 1 320 lbs
Outreach – lifting capacity, manual extension **	22' 4" – 1 980 lbs 28' 3" – 1 460 lbs 34' 5" – 950 lbs	28' 3" – 1 390 lbs 34' 5" – 930 lbs 40' 4" – 680 lbs	34' 5" – 880 lbs 40' 4" – 660 lbs
Rec. oil flow	8 gpm	8 gpm	8 gpm
Power needed at rec. oil flow	19.5 hp	19.5 hp	19.5 hp
Working pressure	3 480 psi	3 480 psi	3 480 psi
Oil in tank	9.2 gal.	9.2 gal.	9.2 gal.
Tank capacity	11.9 gal.	11.9 gal.	11.9 gal.
Slewing angle	400°	400°	400°
Max. slope viable at full capacity	6°	6°	6°
Slewing torque, gross	5 900 ft.lbs	5 900 ft.lbs	5 900 ft.lbs
Slewing speed	15°/sec.	15°/sec.	15°/sec.
Lifting speed at standard hydraulic outreach/rec. oil flow	39°/sec.	51°/sec.	63°/sec.
Hydraulic boom extension time out/in	10.5 / 6.3 sec.	21.4 / 12.8 sec.	32.3 / 19.3 sec.
Height in folded position	74"	74"	74"
Width in folded position	85" / 93"	85" / 93"	94"
Installation space needed	22" (25" ***)	22" (25" ***)	22" (25" ***)
<b>Weights:</b>			
Loader in standard version without support legs	1 653 lbs	1 884 lbs	2 083 lbs
Top-seat	298 lbs	298 lbs	298 lbs
Frame attachments	66 lbs – 84 lbs	66 lbs – 84 lbs	66 lbs – 84 lbs
Support leg equipment	154 lbs – 408 lbs	154 lbs – 408 lbs	154 lbs – 408 lbs
Oil in tank	62 lbs	62 lbs	62 lbs

Designed and strength calculated in accordance with DIN 15018, crane group B3

\* Inner hook attachment

\*\* Lifting capacity at + 20 - 25° inner boom position

\*\*\* Incl hose and pipe kit

# Unbeatable Performance And The Longest Reach In Its Class

The HIAB 060 is an exceptionally robust 45,000 ft.lbs crane that has been designed to provide unsurpassed performance—for either general cargo handling, or bucket operation. And it is used in numerous applications around the world.

It's available with one, two or three hydraulic extensions and has a maximum hydraulic reach of 29' 3". However, if manual boom extensions are added, the HIAB 060's reach can be increased to 41', giving it the longest reach of any articulated crane in its class.

This powerful, yet lightweight, crane also has exceptional hook approach and lifting capacity close-in. In fact, at 2' 4" from the crane's center, it has a lifting height of 8' 6".

And what's more important, it's been specially built to take a lot of punishment with a minimum of maintenance.

Extra large, selflubricating slide pads have been fitted on the boom extensions, and the outer boom to reduce side play and provide a more exact movement of the boom tip.

Other features designed to increase operation reliability include a slewing system that's enclosed in an oil bath and mounted on a three-point flexible bridge, and a "JIC" conical coupling system to assure perfect sealing in the oil lines.

Plus the HIAB Valve 40, which not only permits the simultaneous operation of two, or more functions but also provides smoother operation, quicker response and more precise control.

## INCREASED SAFETY

- Hiab's patented cross-mounted controls allow the same lever sequence on both sides of the truck
- Load holding valves are mounted on all boom cylinders
- The support legs are equipped with pilot-operated check valves and secondary safety catches that lock automatically
- Outrigger extensions run on rollers making them extremely easy to handle and come in three alternative beam lengths of up to 15' 5" for maximum stability
- HIAB CombiDrive remote control is also available to provide operators with a safer, more efficient working environment
- Strength calculations have been carried out in accordance with the German DIN norm 15018, crane group B3 and design and manufacturing meets the ISO 9001 Quality Assurance Standard



ile HIAB 060-2 with palletfork on a 7.5 GVW ton truck for inds of building materials.



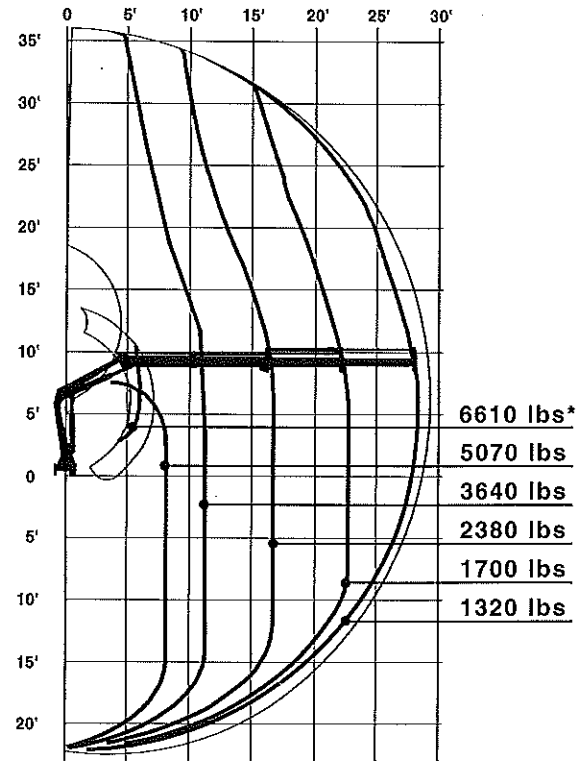
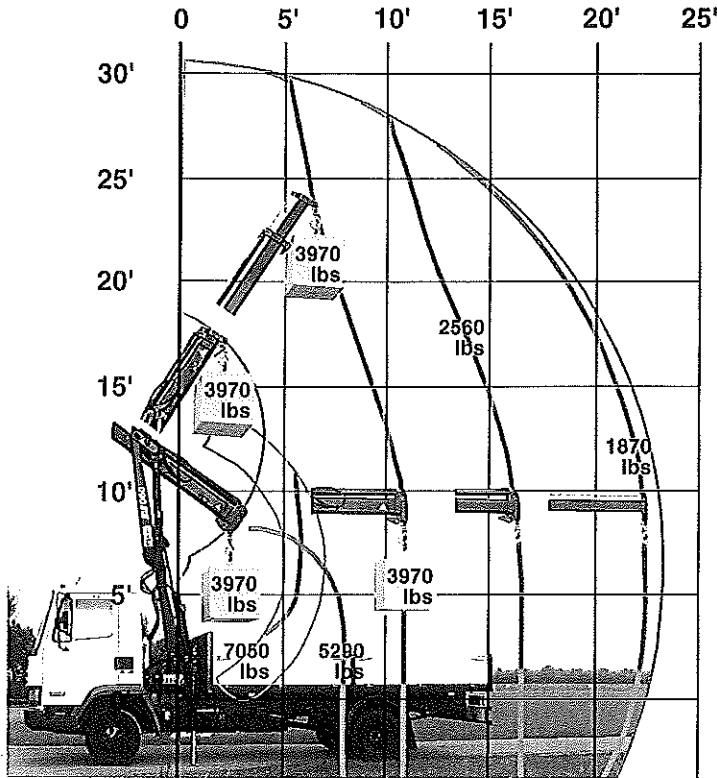
transport is using a HIAB 060-2 with an 3 ft<sup>2</sup> scrap grapple ton GVW truck for waste handling in Higashi-Hiroshima City.



Year round duties with HIAB 060-2 at Norwich City Works manage tree growth in the UK's greenest city.

# HIAB 060-2

# HIAB 060-3

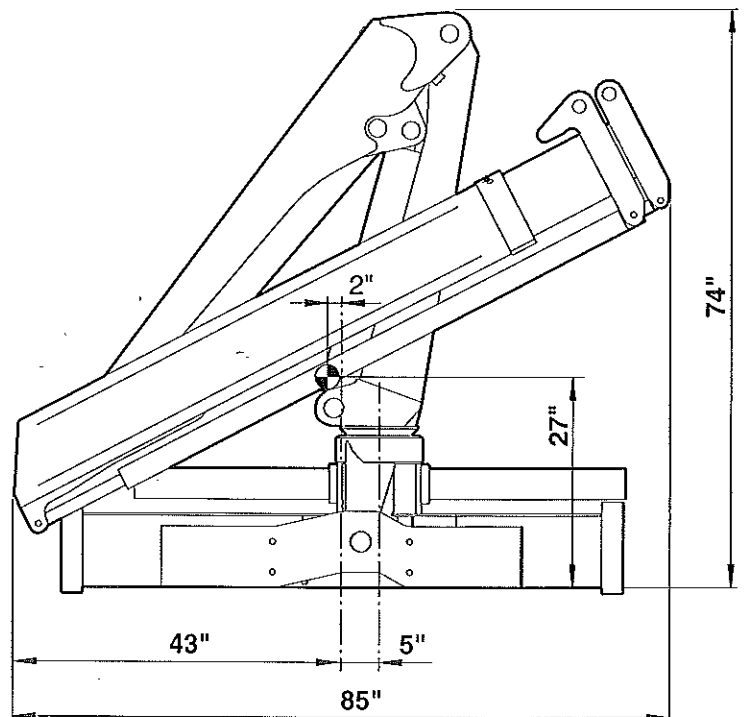


## LIFTING PERFORMANCE

The special geometry of the HIAB 060 boom provides high lifting capacity near the frontboard of the loading platform as well as with a fully extended horizontal boom. The boom design also provides an almost vertical lifting curve.

## GENERAL DIMENSIONS

The compact design of the HIAB 060 and a wide choice of support legs permit the crane to be mounted behind the cab or at the rear of almost any type of truck, even lightweight trucks with a 7 ton GVW. The compact boom system leaves a very high clearance underneath the boom in a fully extended horizontal position allowing high dimensioned payloads to be easily handled. The HIAB 060 has a height of only 74" above the chassis frame in transport position and the width is only 85" (94" for HIAB 060-3). The center of gravity is positioned very low and almost in the center of the truck frame providing equally spread forces on the truck chassis which is of the utmost importance for lightweight trucks.



edon: HIAB C  
erated by Val  
electricity st

cala: Southe  
crete casting

ling Hiroshir  
he cranes are