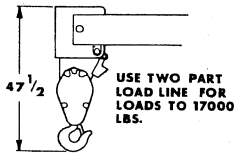
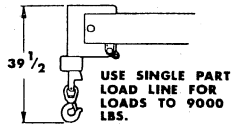
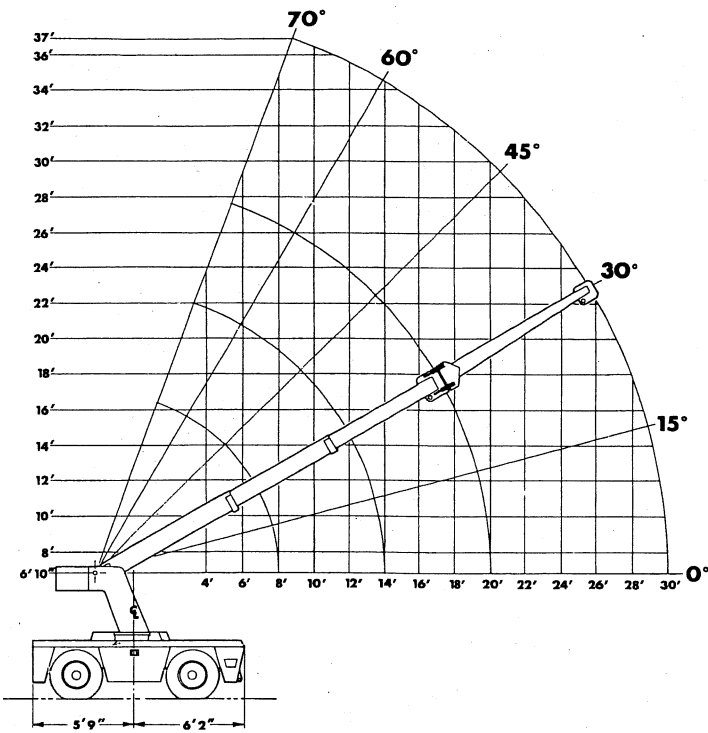


# IC-80



ALL CAPACITIES FOR 360° ROTATION

LOAD RADIUS FEET	3-SECTION BOOM		10' BOOM EXTENSION INSTALLED	
	ON RUBBER	ON O/R*	ON RUBBER	ON O/R*
5	10700	17000	6700	7000
6	9500	14500	5950	6000
8	6400	10250	4750	5000
10	4450	7700	3900	4000
12	3400	6550	3325	3450
14	2675	5550	2975	3050
16	2175	4450	2600	2700
18	1840	3950	2125	2250
20	1550	3550	1800	2250
22			1500	2250
24			1300	2250
26			1100	2250
28			950	2125
30			800	1900

\*OUTRIGGERS

