



HYDRAULIC CRANE PARTS CATALOG

UR293

SERIAL No. A404015~

PCUR293A2199106A

HEAD OFFICE : No.28 Mori bldg., 16-13, Nisiazabu 4-chome
Minato-ku Tokyo, 106, Japan
 TELEPHONE : TOKYO 3449-3711
 TELEX : 242-2009 UNIC J

FURUKAWA UNIC CORPORATION

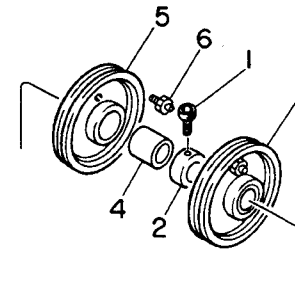
GENERAL INFORMATION

This parts catalog contains the description of the parts for UNIC Hydraulic Crane Model UR293.

The application is Cranes from serial number UR293 : No. A404015~. The crane serial number is engraved on the specification plate fixed at the column.

● HOW TO USE THIS PARTS CATALOG

KEY No.	PARTS No.	PARTS NAME	Q'ty	MAR K	SERIAL No.	NOTE
(Example) 1~43	0146 24000	Boom Ass'y	1 set	△	---	→ Assembly part
1	7161 06030	Bolt	2		---	→ Sub-assembly part
2	0215 21020	Spacer	1		---	
A 3	9110 00019	Sheave - slide 200 φ Ass'y	2 set		---	→ Compo - nent part
A 4	0211 21130	Bushing	1		---	
A 5	0217 21180	Sheave - slide 200 φ	1		---	
A 6	7243 31000	Nipple - grease	1		---	



1. Illustrations are shown every component group and each part is denoted with index number on outgoing line. The index number agrees with the key number of the lists. Therefore, you can find the part name, part number, quantity, applicable serial number crane, changing period, etc. by the number.
2. Relations of assembly part, sub-assembly part and compo- nent part are indicated as above list and illustration.
3. A · B · C··in the "KEY No." column indicate sub-assembly parts and A1 · A2 · A3··B1 · B2 · B3····S1 · S2 · S3··indicate component parts.
4. Each number in the "Q'ty" column indicates the quantity used per each assembly.

5. How to read the indication in the "Mark" column.

○New and old parts are interchangeable.

×New and old parts are not interchangeable.

△Part not for sale.

DDisuse.

QQuantity change.

6. How to order the seavice parts.

- (1) When ordering service parts, please be sure to supply the following information.

* Crane model	* Serial number
* Assembly name	* Part name
* Part number	* Quantity

- (2) Interchangeable or no-interchangeable part.

When you order the interchangeable part marked ○, please order new part.

When you order the interchangeable part marked ×, please confirm the serial number and the manufactured date of the crane, and order adequate part.

- (3) Quantity, length

nDecide your necessary quantity.

ℓDecide your necessary length.

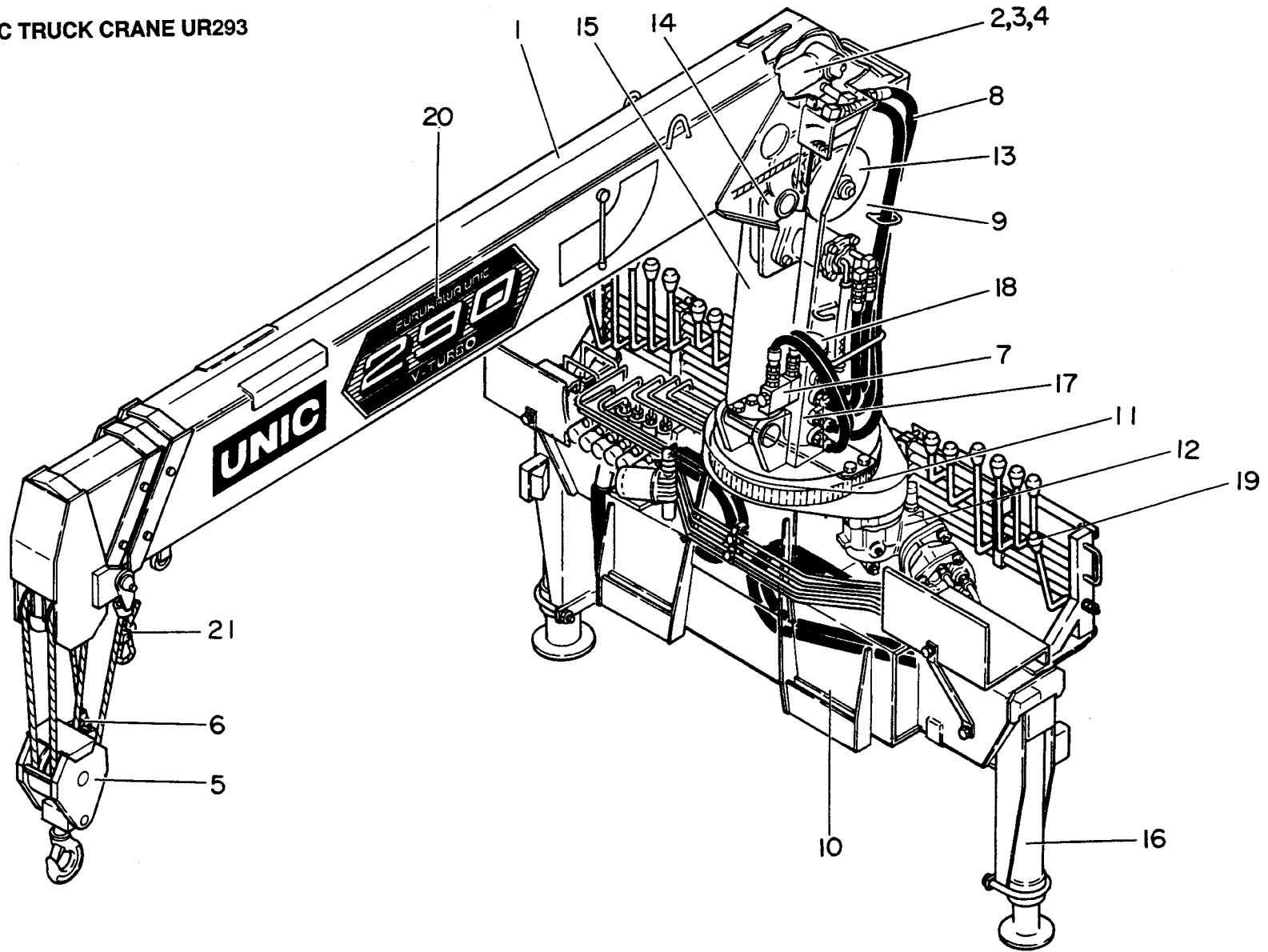
- (4) Use "UNIC GENUINE PARTS" exclusively for servicing your creane.

No warranty can be given on a trouble caused by using a part except genuine parts.

- (5) Purchase the service parts at your nearest dealer or seavice shop.

(Note) In accordance with our policy of constant improvement, all parts are subject to change without notice or obligation.

HYDRAULIC TRUCK CRANE UR293



C O N T E N T S

FIG. NO.	SECTION NAME	PAGE	FIG. NO.	SECTION NAME	PAGE
	[UR293-A2]				
1	3-section BOOM ASS'Y	10	15	BOOM LIFT CYLINDER ASS'Y	52
2	EXTENSION CYLINDER (1) ASS'Y	14	16	OUTRIGGER CYLINDER ASS'Y	54
3	EXTENSION CYLINDER (2) ASS'Y	16	17	SWIVEL JOINT ASS'Y	56
4	SELECTOR VALVE ASS'Y	18	18	SLIP RING ASS'Y	58
5	HOOK ASS'Y	20	19	CONTROL ASS'Y	60
6	SAFETY DEVICE ASS'Y	22	20	PLACARD	64
7	HYDRAULIC DRIVING DEVICE	26	21	EQUIPMENT	66
8-1	PIPING (Boom lift cylinder)	28			
8-2	PIPING (Hoist motor)	30			
8-3	PIPING (Extension cylinder)	32			
8-4	PIPING (Swing motor)	34			
8-5	PIPING (Outrigger)	36			
9	COLUMN ASS'Y	38			
10	BASE ASS'Y	40			
11	SWING DEVICE ASS'Y	44			
12	SWING GEAR BOX ASS'Y	46			
13	HOIST WINCH ASS'Y	48			
14	WINCH GEAR BOX ASS'Y	50			
				[HYDRAULIC PARTS]	
			HP1	CONTROL VALVE ASS'Y (MV-30A, 6-Spool)	72
			HP2	RELIEF VALVE ASS'Y (RT-15C)	74
			HP3	EXTENSION CYLINDER HOLDING VALVE ASS'Y (CB-03ET)	76
			HP4	BOOM LIFT CYLINDER HOLDING VALVE ASS'Y (CB-03ED)	78
			HP5	RETURN FILTER ASS'Y	80
			HP6	OUTRIGGER CYLINDER HOLDING VALVE ASS'Y (CP-03F)	82
			HP7	PILOT CHECK VALVE ASS'Y (CP-03W)	84

UR293-A2

Fig. 1 3-section BOOM ASS'Y

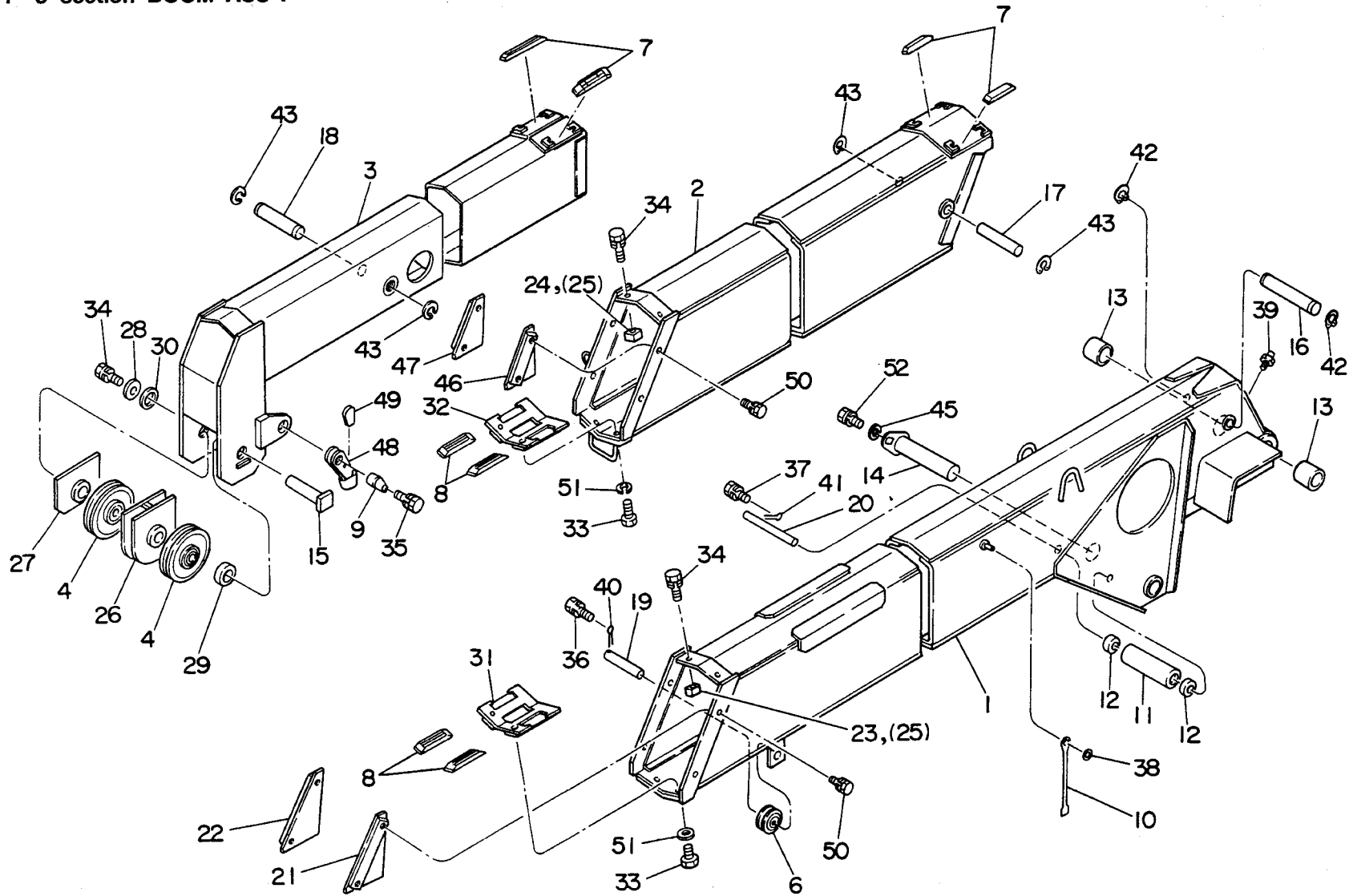


Fig. 1 3-section BOOM ASS'Y

KEY No.	PARTS No.	PARTS NAME	Q t y	M A R K	SERIAL No.	NOTE	KEY No.	PARTS No.	PARTS NAME	Q t y	M A R K	SERIAL No.	NOTE
1~52	084C 21000	3-section Boom Ass'y	1 set	△			19	0143 21230	Pin	1			
1	084C 21011	Boom (1)	1				20	0143 55060	Pin	1			
2	084C 21020	Boom (2)	1				21	080B 21110	Plate	1			
3	084C 21030	Boom (3)	1				22	080B 21090	Plate	1			
4	K821 00810	Sheave Ass'y	2 set				23	080D 21110	Guide (16.5)	2			
5	☆						24	080B 21210	Guide (18.5)	2			
6	0185 21031	Sheave (4.85×55)	1				25	080C 21140	Shim	6			t=1.0
7	0149 21370	Plate-slide (Nylon)	4				26	084C 21070	Plate	1			
8	0149 21360	Plate-slide (Nylon)	4				27	0804 21031	Plate	1			
9	0805 21111	Pin (35)	1				28	0119 51060	Plate	1			
10	083H 21040	Indicator	2				29	0805 35040	Collar	1			
11	084C 21040	Roller	1				30	0182 21110	Collar	1			
12	7260 60022	Bearing	2				31	084C 21080	Base-slide (160)	1			
13	083G 11050	Bushing	2				32	084C 21090	Base-slide (90)	1			
14	0185 21040	Pin	1				33	7117 10020	Bolt	4			
15	084C 21050	Pin (35)	1				34	7141 10020	Bolt & Washer	5			
16	084C 21060	Pin (25)	1				35	7141 10015	Bolt & Washer	1			
17	0148 21080	Pin	1				36	7142 06015	Bolt & Washer	1			
18	0147 21080	Pin	1				37	7142 05012	Bolt & Washer	1			

Q.....New and old parts are interchangeable. ✕.....New and old parts are not interchangeable. △.....Part not for sale. D.....Disuse. Q.....Quantity

Fig. 1 3-section BOOM ASS'Y

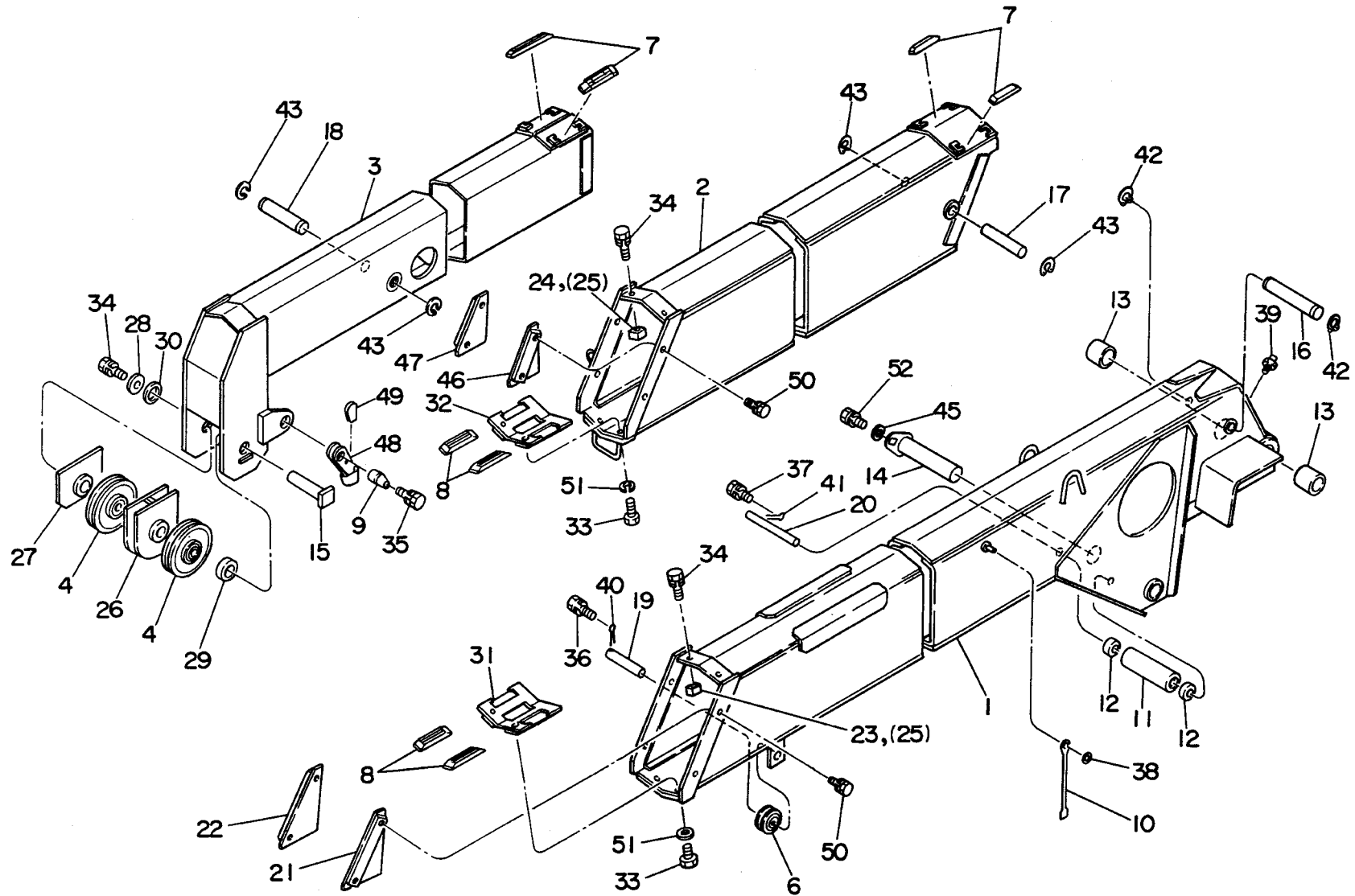


Fig. 1 3-section BOOM ASS'Y

KEY No.	PARTS No.	PARTS NAME	Q t y	M A R K	SERIAL No.	NOTE	KEY No.	PARTS No.	PARTS NAME	Q t y	M A R K	SERIAL No.	NOTE
38	7241 90050	Nut-push	2										
39	7243 32000	Nipple-grease	1										
40	7231 08030	Pin-split	1										
41	7231 06030	Pin-split	1										
42	7241 10250	Ring-snap	2										
43	7241 20250	Ring-snap	4										
44	☆												
45	7221 12100	Washer-plain	1										
46	080B 21080	Plate	1										
47	080B 21070	Plate	1										
48	0805 21180	Socket-wire	1										
49	0123 32090	Wedge	1										
50	7141 10015	Bolt & Washer	8										
51	7222 31100	Washer-conical spring	4										
52	7601 29045	Bolt & Washer	1										

⊙.....New and old parts are interchangeable. ✕.....New and old parts are not interchangeable. △.....Part not for sale. D.....Disuse. Q.....Quantity

Fig. 2 EXTENSION CYLINDER (1) ASS'Y

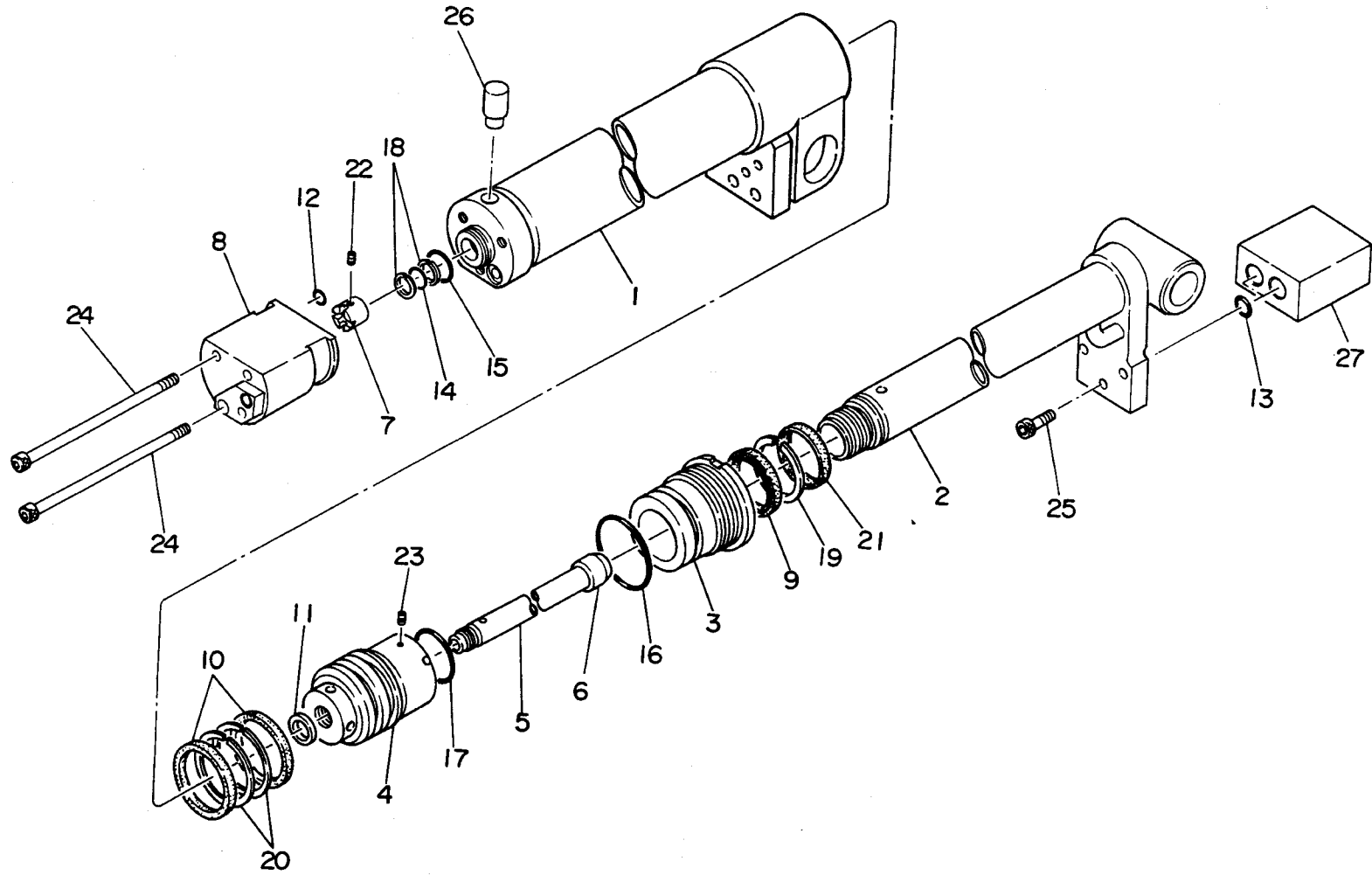


Fig. 2 EXTENSION CYLINDER (1) ASS'Y

KEY No.	PARTS No.	PARTS NAME	Q t y	M A R K	SERIAL No.	NOTE	KEY No.	PARTS No.	PARTS NAME	Q t y	M A R K	SERIAL No.	NOTE
1~26	084C 15000	Extension cylinder (1) Ass'y	1	set			S 19	8280 40050	Ring-back up	1			
1	083G 15010	Tube Ass'y	1				S 20	8280 50060	Ring-back up	2			
2	083G 15020	Rod Ass'y (1)	1				S 21	8290 40048	Seal-dust	1			
3	083G 15030	Gland	1				22	7049 06006	Screw-set	1			
4	083G 15040	Piston	1				23	7049 06008	Screw-set	1			
5	083G 15050	Pipe-slide	1				24	7161 08100	Bolt	3			
6	0800 14050	Stopper	1				25	7161 08030	Bolt	3			
7	0805 15060	Nut	1				26	083G 15070	Pin	1			
8	083G 15060	Selector valve Ass'y SEE Fig. 4	1				27	6014 73000	Extension cylinder holding valve Ass'y SEE Fig. HP3	1			CB-03ET
S 9	8230 40050	Packing	1										
S 10	8230 50060	Packing	2										
S 11	8380 18024	Packing	1										
S 12	7311 91015	Ring-"O"	2										
S 13	7311 91016	Ring-"O"	2										
S 14	7311 71018	Ring-"O"	1										
S 15	7311 91026	Ring-"O"	1										
S 16	7311 91053	Ring-"O"	1										
S 17	7311 92040	Ring-"O"	1										
S 18	7321 21018	Ring-back up	2				S	9183 G15P0	バックインセット Packing set	1			set

☺.....New and old parts are interchangeable. ✕.....New and old parts are not interchangeable. △.....Part not for sale. D.....Disuse. Q.....Quantity

Fig. 3 EXTENSION CYLINDER (2) ASS'Y

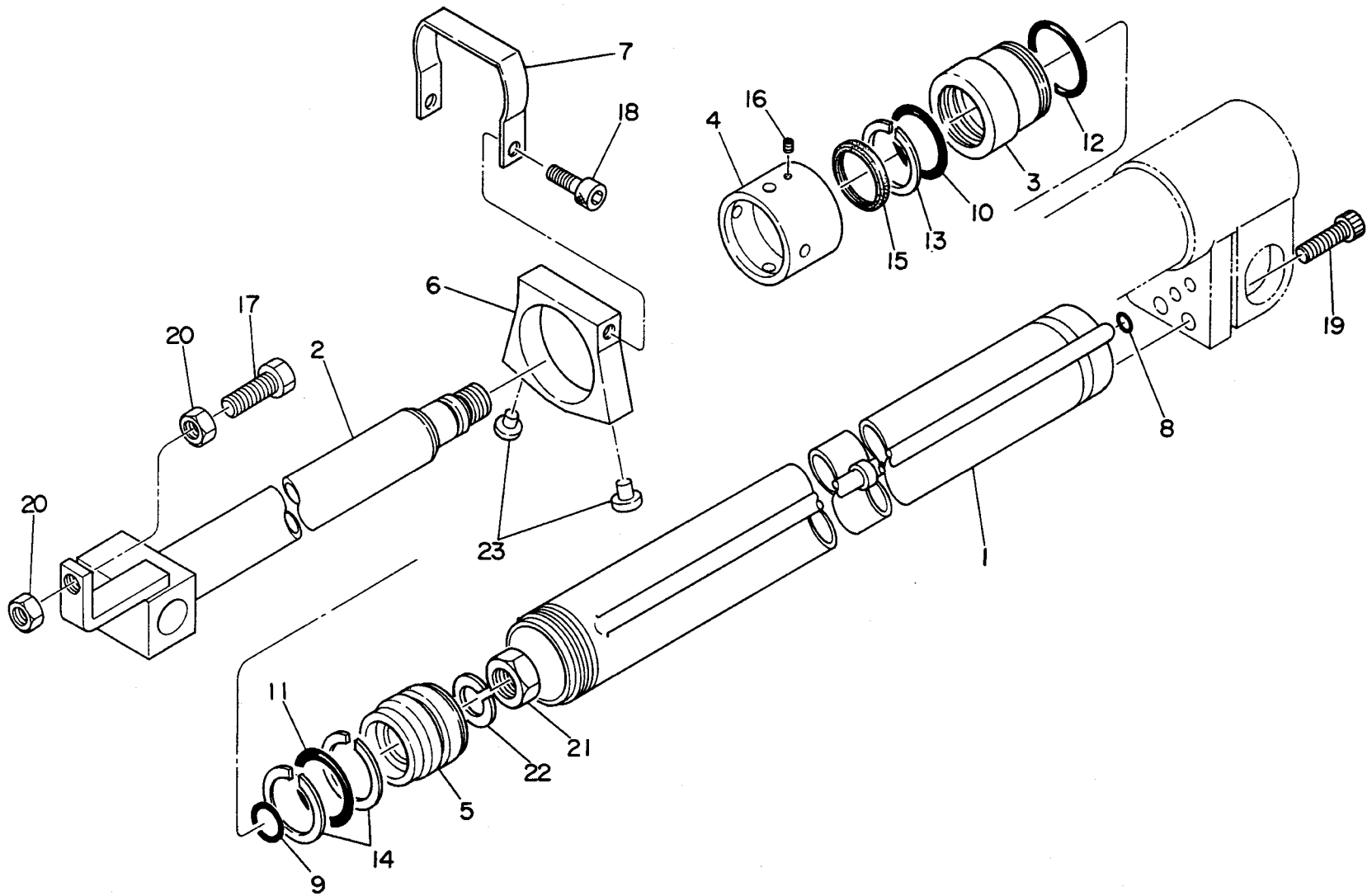


Fig. 3 EXTENSION CYLINDER (2) ASS'Y

KEY No.	PARTS No.	PARTS NAME	Q · t y	M A R K	SERIAL No.	NOTE	KEY No.	PARTS No.	PARTS NAME	Q · t y	M A R K	SERIAL No.	NOTE
1~23	084C 17000	Extension cylinder (2) Ass'y	1	set			19	7161 10030	Bolt	3			
1	083G 17010	Tube Ass'y (1)	1				20	7211 11140	Nut	2			
2	084C 17010	Rod Ass'y (1)	1				21	7211 11180	Nut	1			
3	083G 17030	Gland	1				22	7222 11180	Washer-spring	1			
4	083G 17040	Cover-cylinder	1				23	083G 17080	Pin	2			
5	083G 17050	Piston	1				S	9183 G17P0	Packing set	1			
6	083G 17060	Bracket	1							set			
7	083G 17070	Band	1										
S 8	7311 91011	Ring-"O"	2										
S 9	7311 91018	Ring-"O"	1										
S10	7311 91032	Ring-"O"	1										
S11	7311 91039	Ring-"O"	1										
S12	7311 92040	Ring-"O"	1										
S13	7321 21032	Ring-back up	1										
S14	7321 21039	Ring-back up	2										
S15	8290 32040	Seal-dust	1										
16	7049 06008	Screw-set	1										
17	7114 14050	Bolt	1										
18	7161 08012	Bolt	2										

Q.....New and old parts are interchangeable. X.....New and old parts are not interchangeable. Δ.....Part not for sale. D.....Disuse. Q.....Quantity

Fig.4 SELECTOR VALVE ASS'Y

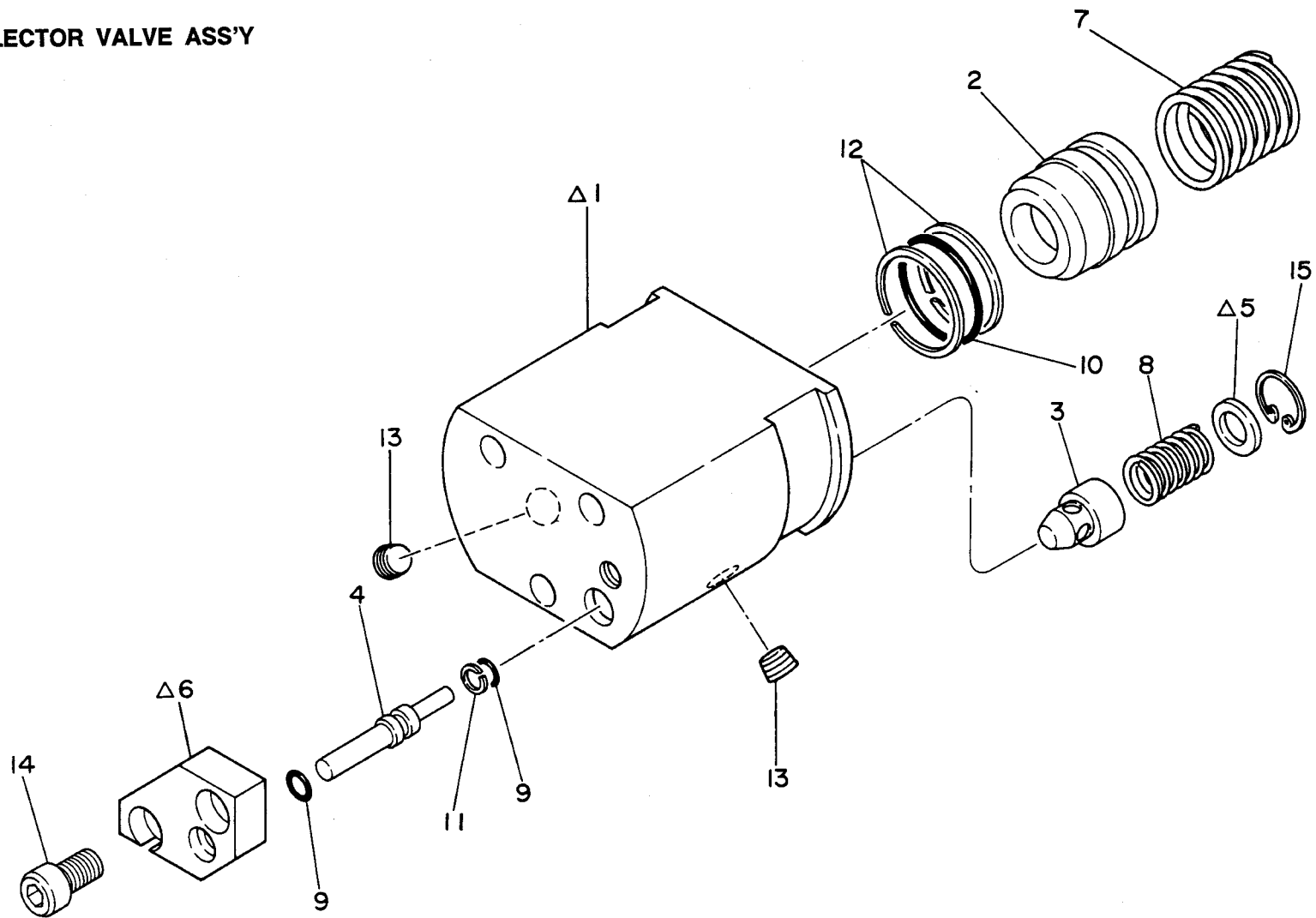


Fig. 4 SELECTOR VALVE ASS'Y

KEY No.	PARTS No.	PARTS NAME	Q t y	M A R K	SERIAL No.	NOTE	KEY No.	PARTS No.	PARTS NAME	Q t y	M A R K	SERIAL No.	NOTE
1~15	083G 15060	Selector valve Ass'y	1 set										
1	☆	Body	1	△									
2	K815 07020	Check valve (1)	1										
3	V314 09031	Check valve (2)	1										
4	K815 07070	Spool	1										
5	☆	Collar	1	△									
6	☆	Cover	1	△									
7	K815 07050	Spring (1)	1										
8	K815 07060	Spring (2)	1										
9	7311 71006	Ring- "O"	2										
10	7701 70033	Ring- "O"	1										
11	7321 21006	Ring-back up	1										
12	7701 80040	Ring-back up	2										
13	7287 20100	Plug	2										
14	7161 08015	Bolt	1										
15	7241 20140	Ring-snap	1										

Q.....New and old parts are interchangeable. X.....New and old parts are not interchangeable. △.....Part not for sale. D.....Disuse. Q.....Quantity

Fig. 5 HOOK ASS'Y

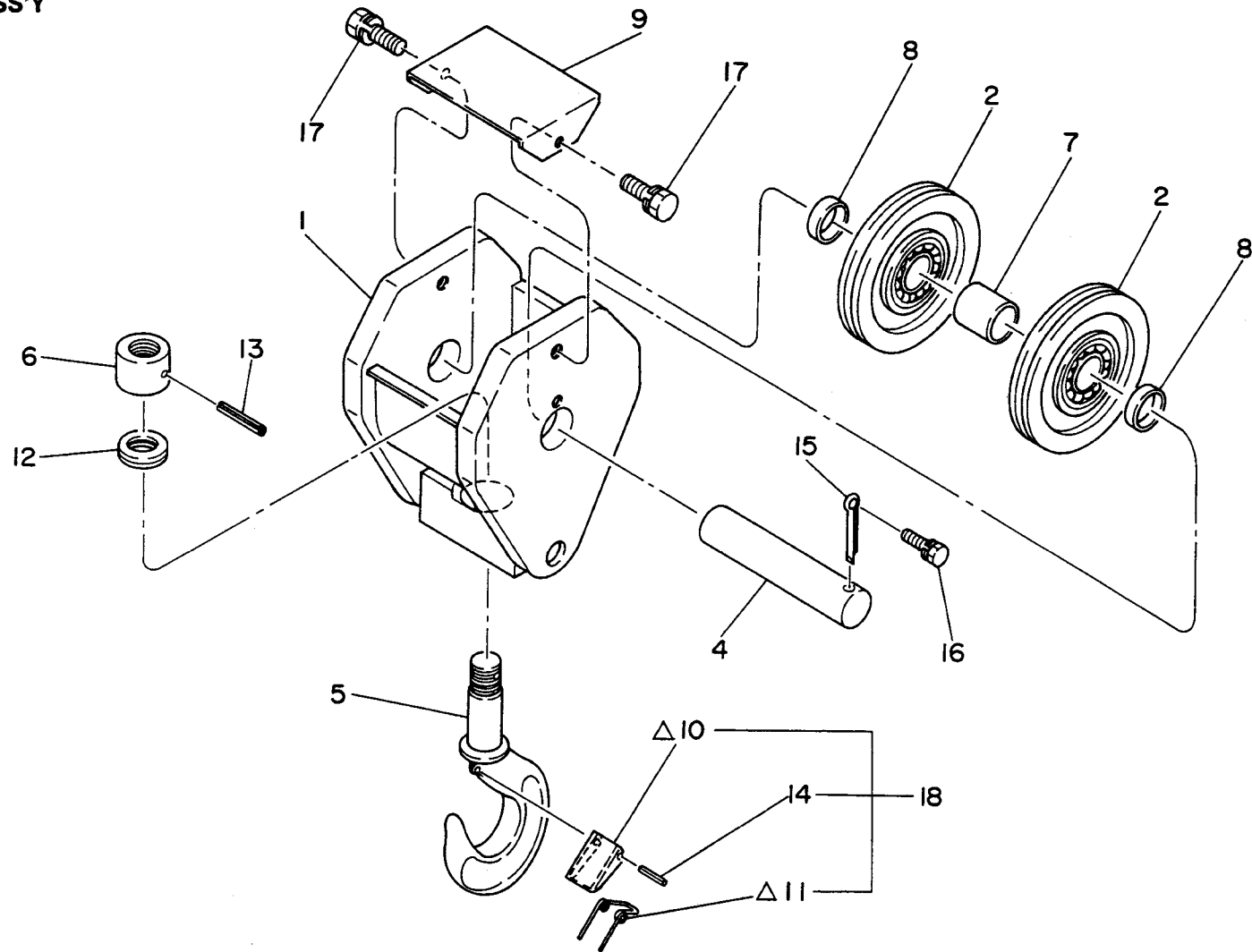


Fig. 5 HOOK ASS'Y

KEY No.	PARTS No.	PARTS NAME	Q t y	M A R K	SERIAL No.	NOTE	KEY No.	PARTS No.	PARTS NAME	Q t y	M A R K	SERIAL No.	NOTE
1~18	0805 35000	Hook Ass'y	1 set										
1	0805 35012	Side plate Ass'y	1										
2	K821 00810	Sheave Ass'y	2 set										
3	☆												
4	0805 35020	Pin (35)	1										
5	0143 32071	Hook	1										
6	0138 32070	Nut	1										
7	0805 35030	Collar	1										
8	0805 35040	Collar	2										
9	0805 35050	Stopper	1										
A10	☆	Stopper	1	△									
A11	☆	Spring	1	△									
12	7602 10075	Thrust bearing	1										
13	7234 05045	Pin-spring	1										
A14	7234 07055	Pin-spring	1										
15	7231 10045	Pin-split	1										
16	7141 08020	Bolt & Washer	1										
17	7141 10020	Bolt & Washer	2										
A18	9110 00022	Stopper Ass'y	1 set										

Q.....New and old parts are interchangeable. X.....New and old parts are not interchangeable. △.....Part not for sale. D.....Disuse. Q.....Quantity

Fig. 6 SAFETY DEVICE ASS'Y

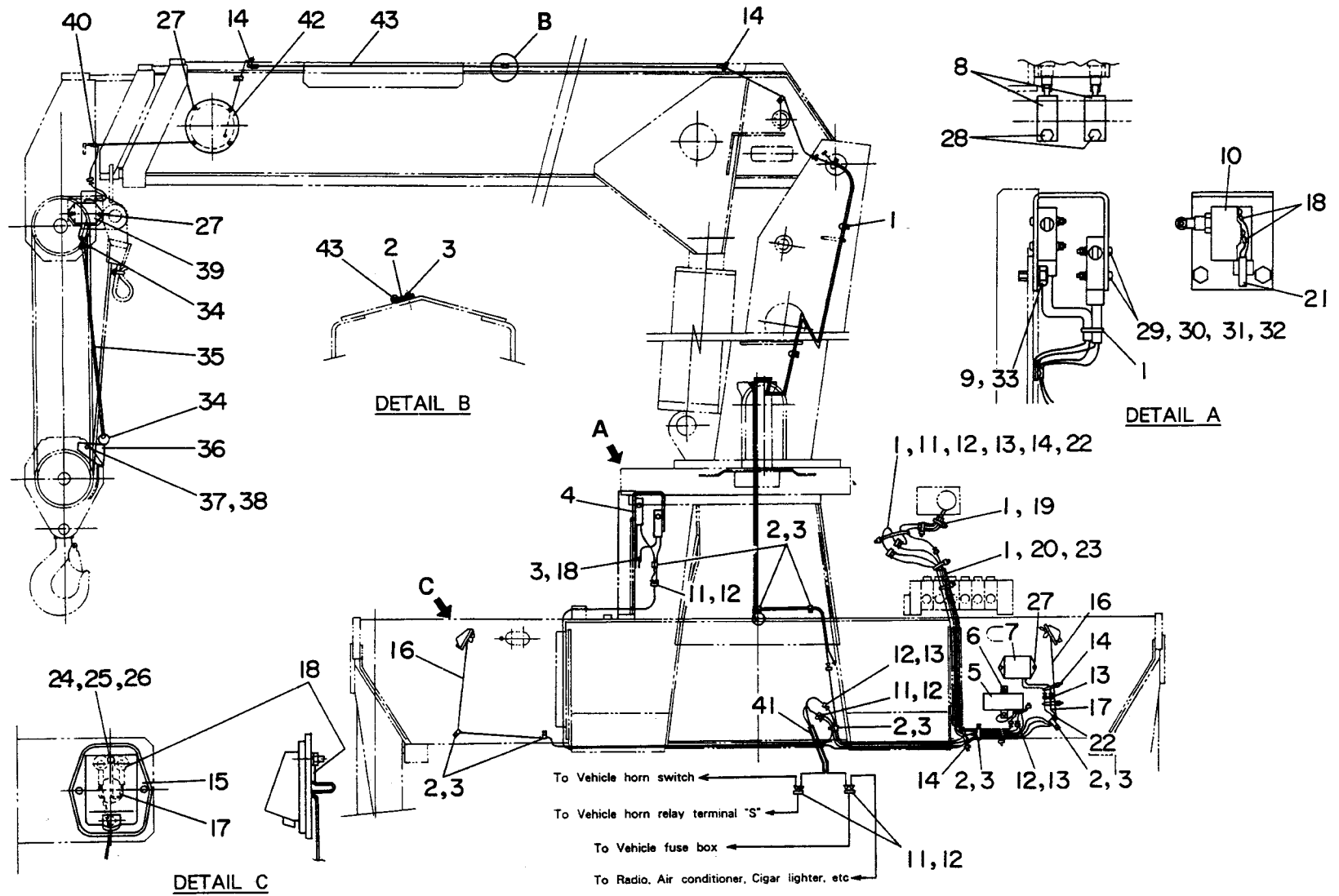


Fig. 6 SAFETY DEVICE ASS'Y

KEY No.	PARTS No.	PARTS NAME	Q t y	M A R K	SERIAL No.	NOTE	KEY No.	PARTS No.	PARTS NAME	Q t y	M A R K	SERIAL No.	NOTE
1~43	☆	Safety device Ass'y	1 set	△			19	7505 13006	Tube-wire	0.5 m			
1	7505 16001	Band-wire	9				20	7505 13004	Tube-wire	0.5 m			
2	7505 23002	Clump-wire	15				21	7506 04007	Cable-cab tire	0.5 m			
3	7601 10059	Tapping screw	15				22	7506 02019	Cord-vinyl	3.5 m			
4	08A4 96010	Bracket	1				23	7506 02009	Cord-vinyl	1.2 m			
5	0891 96021	Relay box Ass'y	1				24	7015 03015	Screw-machine	4			
6	7142 06010	Bolt & Washer	2				25	7211 11030	Nut	4			
7	6031 39000	Outrigger warning alarm	1				26	7223 12030	Washer-tooth	4			
8	08A4 96020	Bracket	2				27	7142 06012	Bolt & Washer	8			
9	7221 12100	Washer-plain	2				28	7142 06035	Bolt & Washer	2			
10	7503 06010	Switch-limit	2				29	7012 04035	Screw-machine	4			
11	7505 01004	Connector	6				30	7221 12040	Washer-plain	4			
12	7505 01005	Connector	15				31	7222 11040	Washer-spring	4			
13	7505 01006	Connector	5				32	7211 11040	Nut	4			
14	7505 16002	Band-wire	9				33	7141 10015	Bolt & Washer	2			
15	0111 89011	Warning buzzer switch	2				A34	☆	Ring	2	△		
16	7506 02072	Cord-vinyl	3m				A35	☆	Rope-wire	1	△		
17	7506 02004	Cord-vinyl	2m				A36	☆	Weight	1	△		
18	7505 09004	Terminal	12				A37	☆	Bolt	1	△		

Q.....New and old parts are interchangeable. *.....New and old parts are not interchangeable. △.....Part not for sale. D.....Disuse. Q.....Quantity

Fig. 6 SAFETY DEVICE ASS'Y

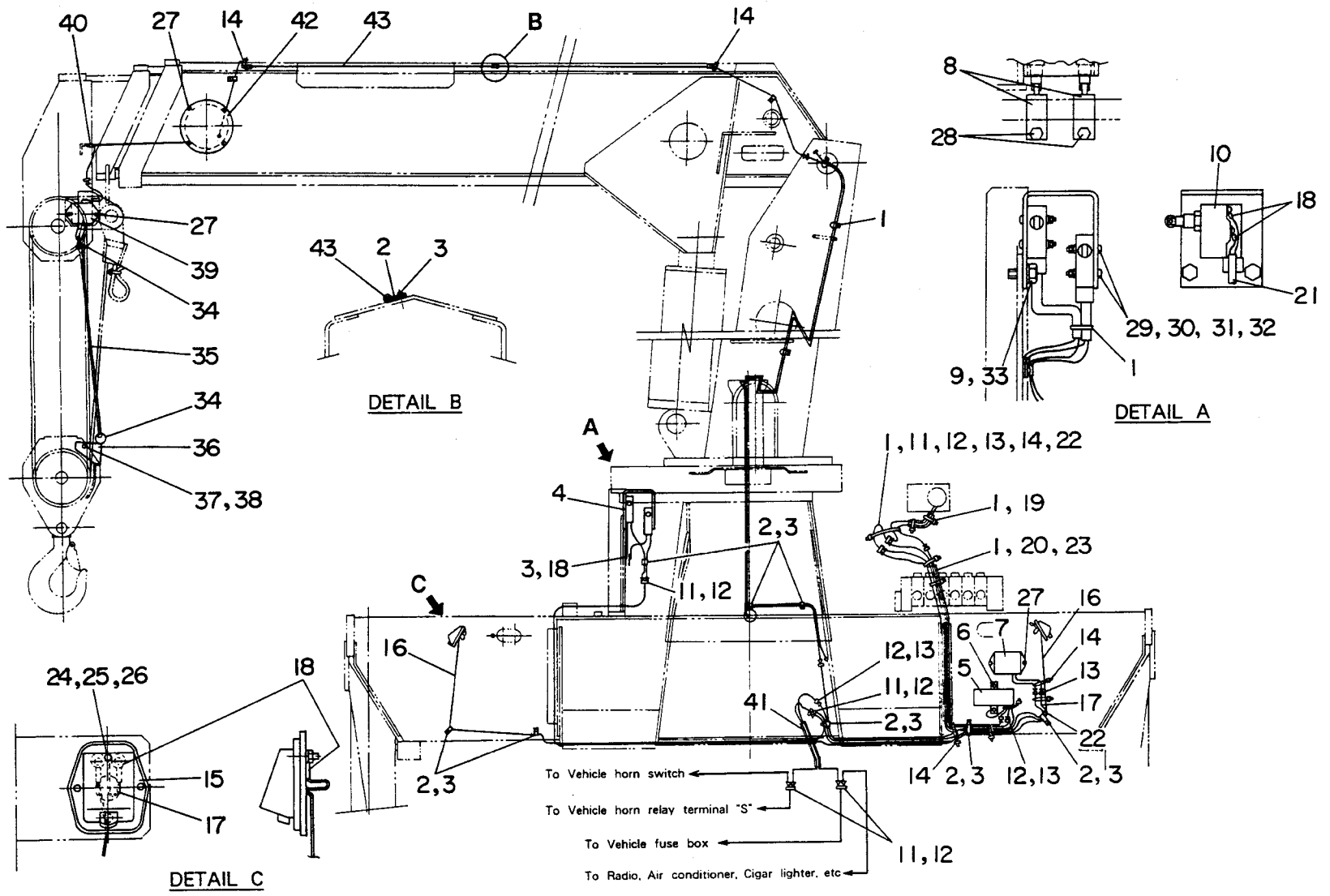


Fig. 6 SAFETY DEVICE ASS'Y

KEY No.	PARTS No.	PARTS NAME	Q t y	M A R K	SERIAL No.	NOTE	KEY No.	PARTS No.	PARTS NAME	Q t y	M A R K	SERIAL No.	NOTE
A38	☆	Nut	2	△									
39	6031 40000	Anti-two-block (detector)	1										
40	7604 52011	Grommet	1										
41	7506 02073	Cord-vinyl	4m										
42	7505 18009	Reel-cord	1										
42-1	7505 18010	Cord-main	1										
42-2	7505 18007	Point Ass'y	1										
43	AK91 00810	Vinyl Cord Ass'y	1										
A	N191 01810	Weight Ass'y	1 set			Incl. 34~38							

⊕.....New and old parts are interchangeable. ⊗.....New and old parts are not interchangeable. △.....Part not for sale. D.....Disuse. Q.....Quantity

Fig. 7 HYDRAULIC DRIVING DEVICE

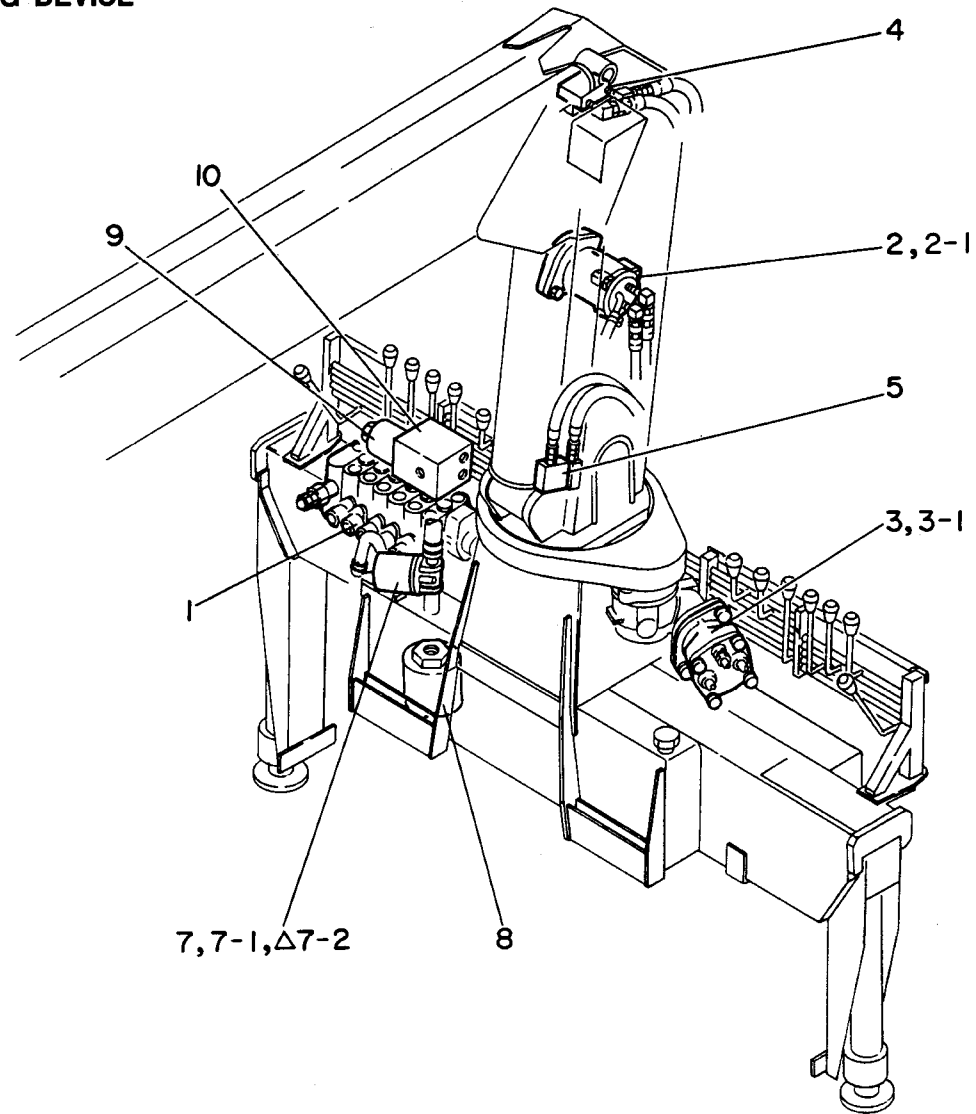


Fig. 7 HYDRAULIC DRIVING DEVICE

KEY No.	PARTS No.	PARTS NAME	Q t y	M A R K	SERIAL No.	NOTE	KEY No.	PARTS No.	PARTS NAME	Q t y	M A R K	SERIAL No.	NOTE
1~10	0882 61000	Hydraulic driving device	1 set	△									
1	6019 06000	Control valve Ass'y SEE Fig. HP1	1			MV-30A							
2	7403 70001	Hydraulic motor (Hoist)	1			A10F25							
2-1	9110 00149	Seal set	1										
3	7403 20020	Hydraulic motor (Swing)	1			APSM40-40							
3-1	9110 00150	Seal set	1										
4	6014 73000	Extension cylinder holding valve Ass'y SEE Fig. HP3	1			CB-03ET							
5	6014 74000	Boom lift cylinder holding valve Ass'y SEE Fig. HP4	1			CB-03ED							
6	☆												
7	7405 80600	Filter-return SEE Fig. HP5	1										
7-1	7405 80204	Filter-cartridge	(1)										
7-2	7405 80201	Head	(1)	△									
8	7405 82023	Filter-suction	1										
9	6017 02000	Pilot check valve Ass'y SEE Fig. HP7	1			CP-03W							
10	7401 92030	Valve-solenoid	1										

Q.....New and old parts are interchangeable. *.....New and old parts are not interchangeable. △.....Part not for sale. D.....Disuse. Q.....Quantity

Fig. 8-1 PIPING (Boom lift cylinder)

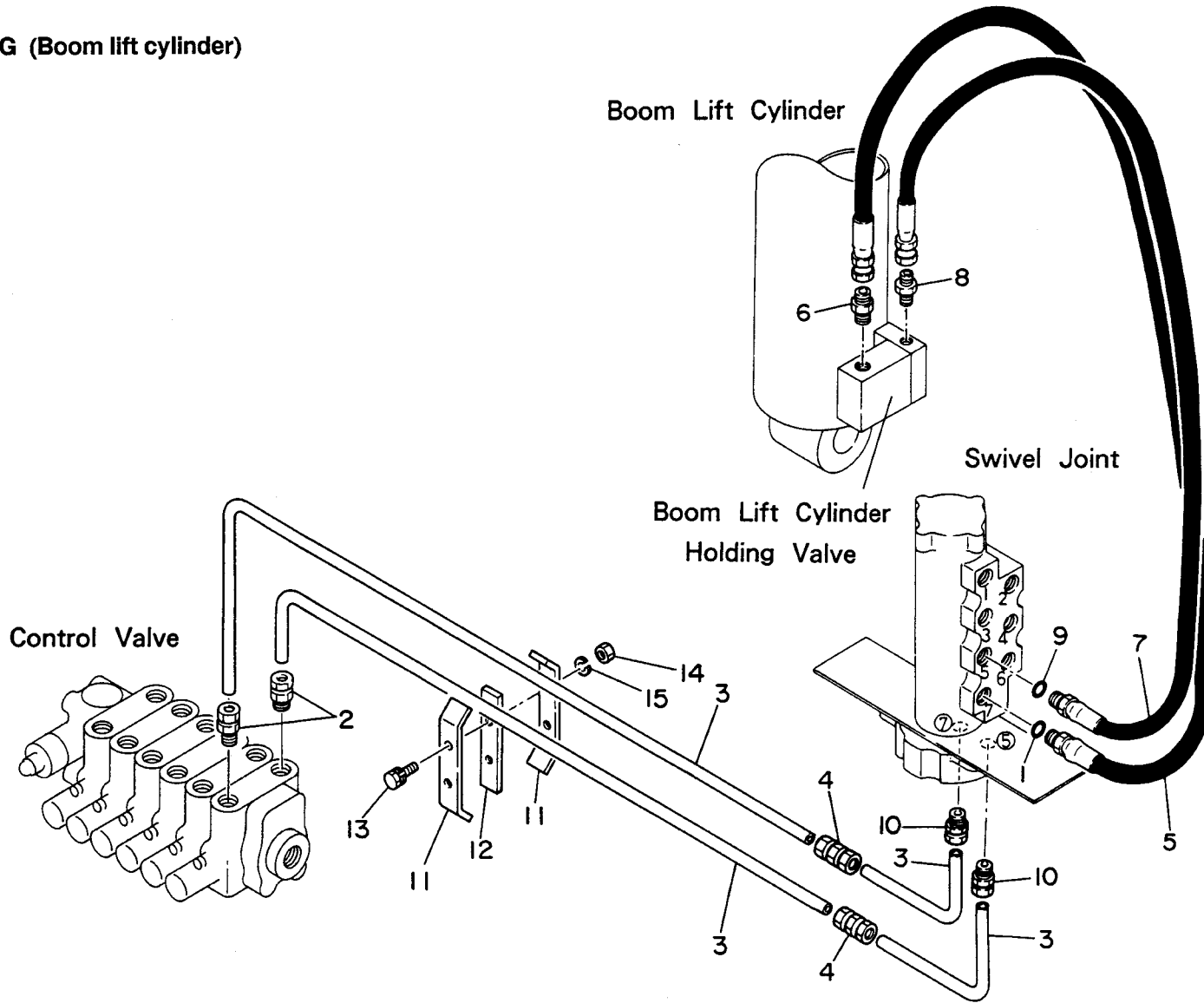


Fig. 8-1 PIPING (Boom lift cylinder)

KEY No.	PARTS No.	PARTS NAME	Q t y	M A R K	SERIAL No.	NOTE	KEY No.	PARTS No.	PARTS NAME	Q t y	M A R K	SERIAL No.	NOTE
1~15	☆	Piping (Boom lift cylinder)	1 set	△									
1	7311 91014	Ring-"O"	1										
2	7285 71203	Connector	2										
3	77P4 12015	Pipe	ℓ			φ 12 × t1.5							
4	7280 11200	Union	2										
5	78F5 03070	Hose-pressure, nylon	1										
6	770A 02J06	Adapter (M) (M)	1										
7	78F5 02060	Hose-pressure, nylon	1										
8	770A 02J04	Adapter (M) (M)	1										
9	7311 91011	Ring-"O"	1										
10	728S 57041	Connector	2										
11	0885 65010	Clamp	2										
12	0885 65020	Bracket	1										
13	7111 08065	Bolt	2										
14	7211 11080	Nut	2										
15	7222 11080	Spring washer	2										

Q.....New and old parts are interchangeable. ✕.....New and old parts are not interchangeable. △.....Part not for sale. D.....Disuse. Q.....Quantity

Fig. 8-2 PIPING (Hoist motor)

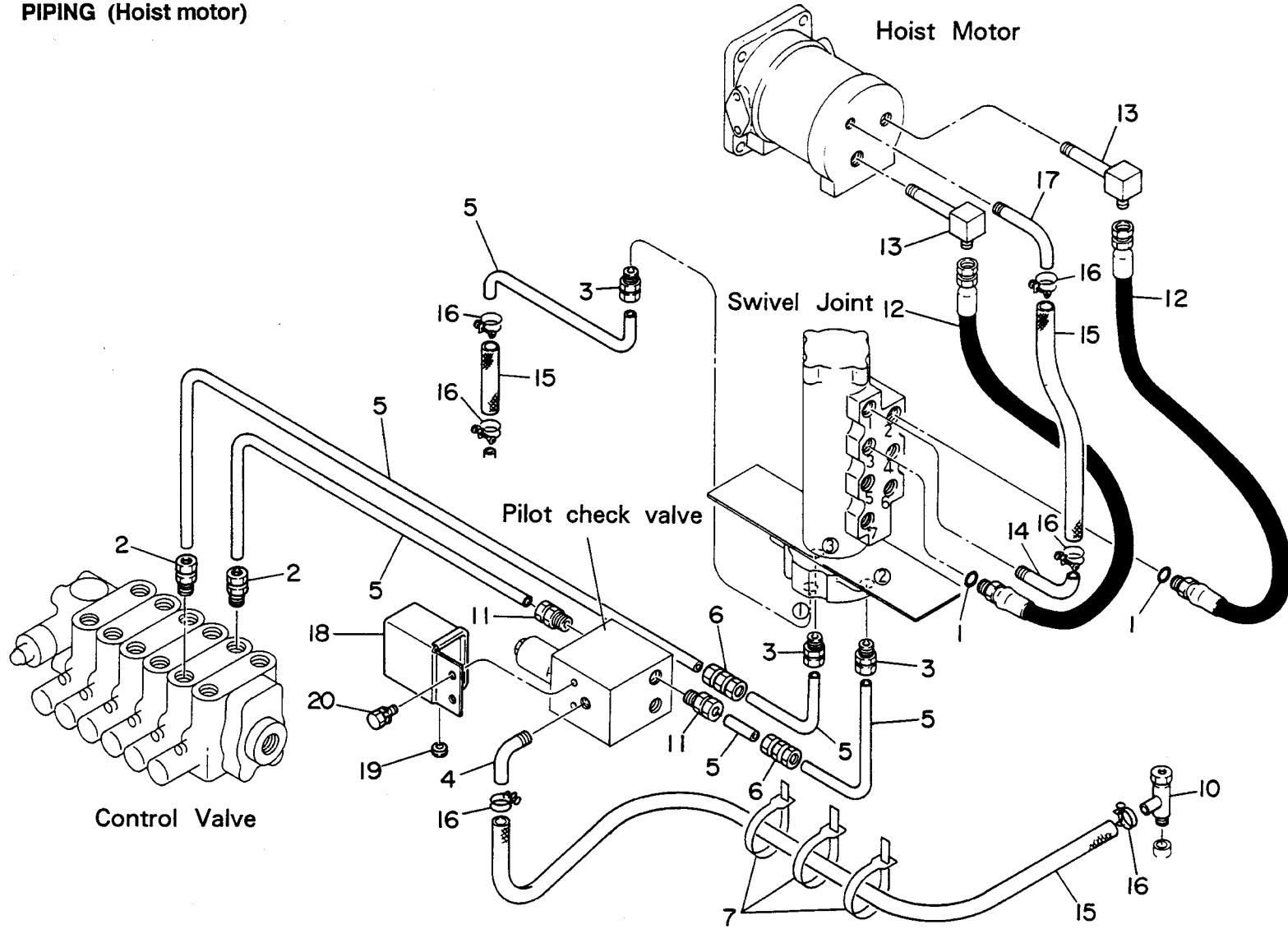


Fig. 8-2 PIPING (Hoist motor)

KEY No.	PARTS No.	PARTS NAME	Q t y	M A R K	SERIAL No.	NOTE	KEY No.	PARTS No.	PARTS NAME	Q t y	M A R K	SERIAL No.	NOTE
1~20	☆	Piping (Hoist motor)	1 set	△			19	7505 10013	Grommet	1			
1	7311 91014	Ring-"O"	2				20	7142 06012	Bolt & Washer	2			
2	7285 71203	Connector	2										
3	728S 57041	Connector	3										
4	0800 62030	Joint-hose	1										
5	77P4 12015	Pipe	1			φ12 × t1.5							
6	7280 11200	Union	2										
7	7505 16001	Band-wire	3										
8	☆												
9	☆												
10	01S0 73020	Joint	1										
11	7280 51203	Connector (M)	2										
12	7815 03049	Hose-pressure	2										
13	7702 90038	Joint	2										
14	0143 62022	Joint-hose	1										
15	77V3 12000	Hose-vinyl	3			φ12							
16	7600 00867	Band-hose	6										
17	0182 62050	Joint-hose	1										
18	6041 12010	Cover	1										

Q.....New and old parts are interchangeable. *.....New and old parts are not interchangeable. △.....Part not for sale. D.....Disuse. Q.....Quantity

Fig. 8-3 PIPING (Extension cylinder)

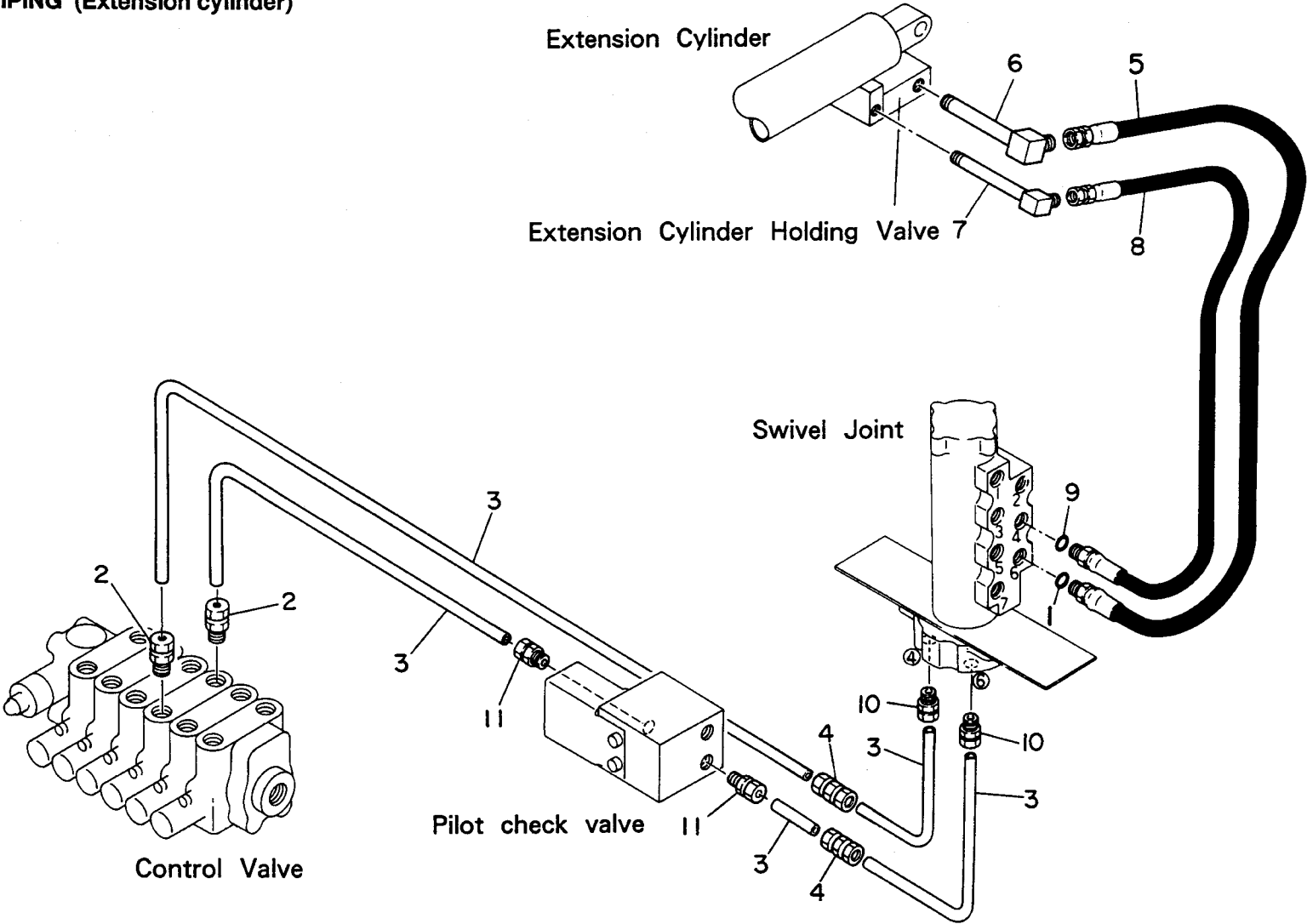


Fig. 8-3 PIPING (Extension cylinder)

KEY No.	PARTS No.	PARTS NAME	Q · t y	M A R K	SERIAL No.	NOTE	KEY No.	PARTS No.	PARTS NAME	Q · t y	M A R K	SERIAL No.	NOTE
1~11	☆	Piping (Extension cylinder)	1 set	△									
1	7311 91014	Ring-"O"	1										
2	7285 71203	Connector	2										
3	77P4 12015	Pipe	ℓ			φ12×t1.5							
4	7280 11200	Union	2										
5	7865 03113	Hose-pressure, nylon	1										
6	7702 90040	Joint	1										
7	7702 90039	Joint	1										
8	7865 02112	Hose-pressure, nylon	1										
9	7311 91011	Ring-"O"	1										
10	728S 57041	Connector	2										
11	7280 51203	Connector (M)	2										

Q.....New and old parts are interchangeable. X.....New and old parts are not interchangeable. △.....Part not for sale. D.....Disuse. Q.....Quantity

Fig. 8-4 PIPING (Swing motor)

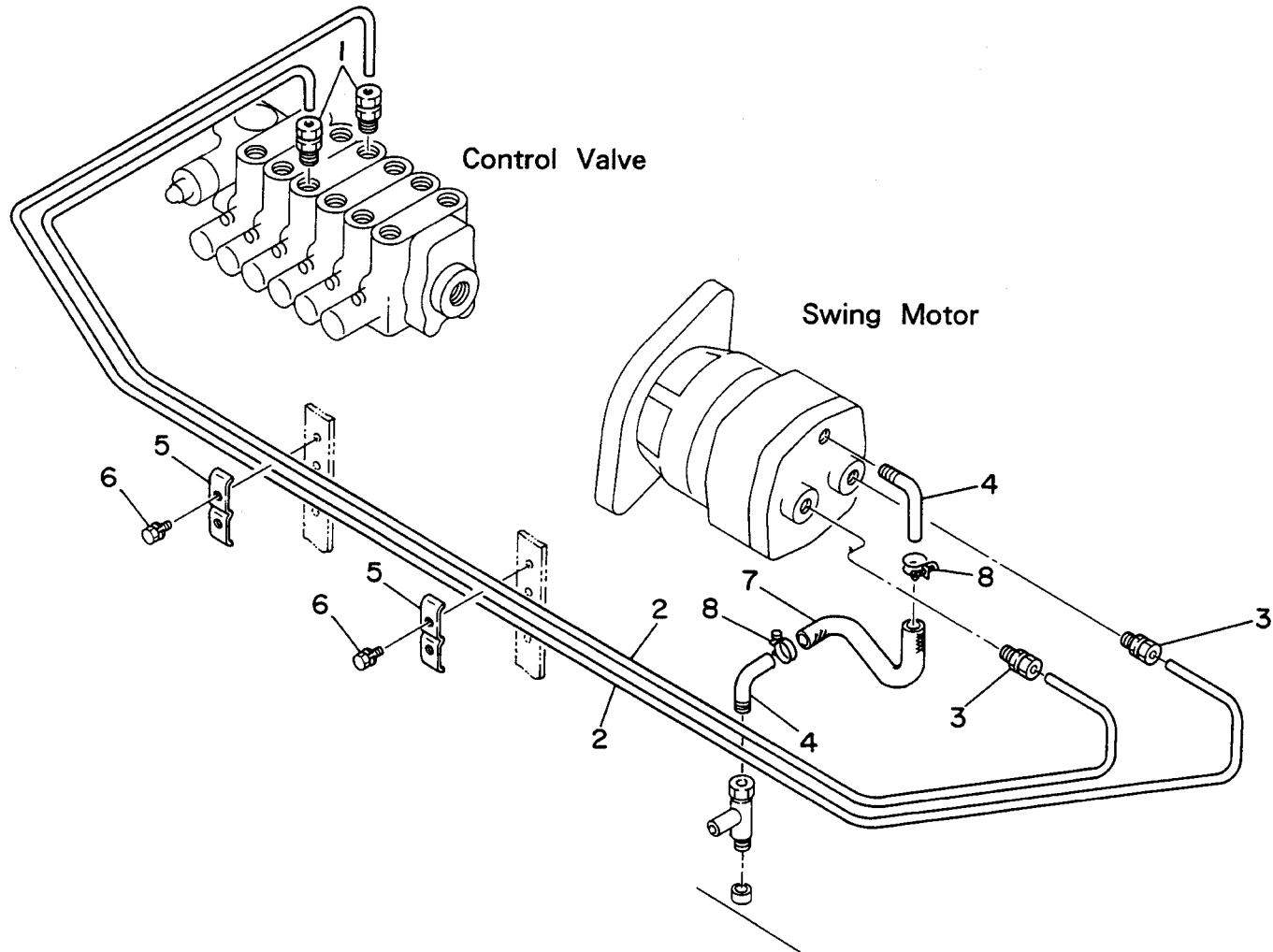


Fig. 8-4 PIPING (Swing motor)

KEY No.	PARTS No.	PARTS NAME	Q t y	M A R K	SERIAL No.	NOTE	KEY No.	PARTS No.	PARTS NAME	Q t y	M A R K	SERIAL No.	NOTE
1~8	☆	Piping (Swing motor)	1 set	△									
1	7285 71003	Connector	2										
2	77P4 10010	Pipe	ℓ			φ10 × t1.0							
3	7280 51003	Connector (M)	2										
4	0800 62030	Joint-hose	2										
5	0805 65030	Clump-pipe	2										
6	7141 10025	Bolt & Washer	4										
7	77V3 12000	Hose-vinyl	1			φ12							
8	7600 00867	Band-hose	2										

☆.....New and old parts are interchangeable. ✖.....New and old parts are not interchangeable. △.....Part not for sale. D.....Disuse. Q.....Quantity

Fig. 8-5 PIPING (Outrigger)

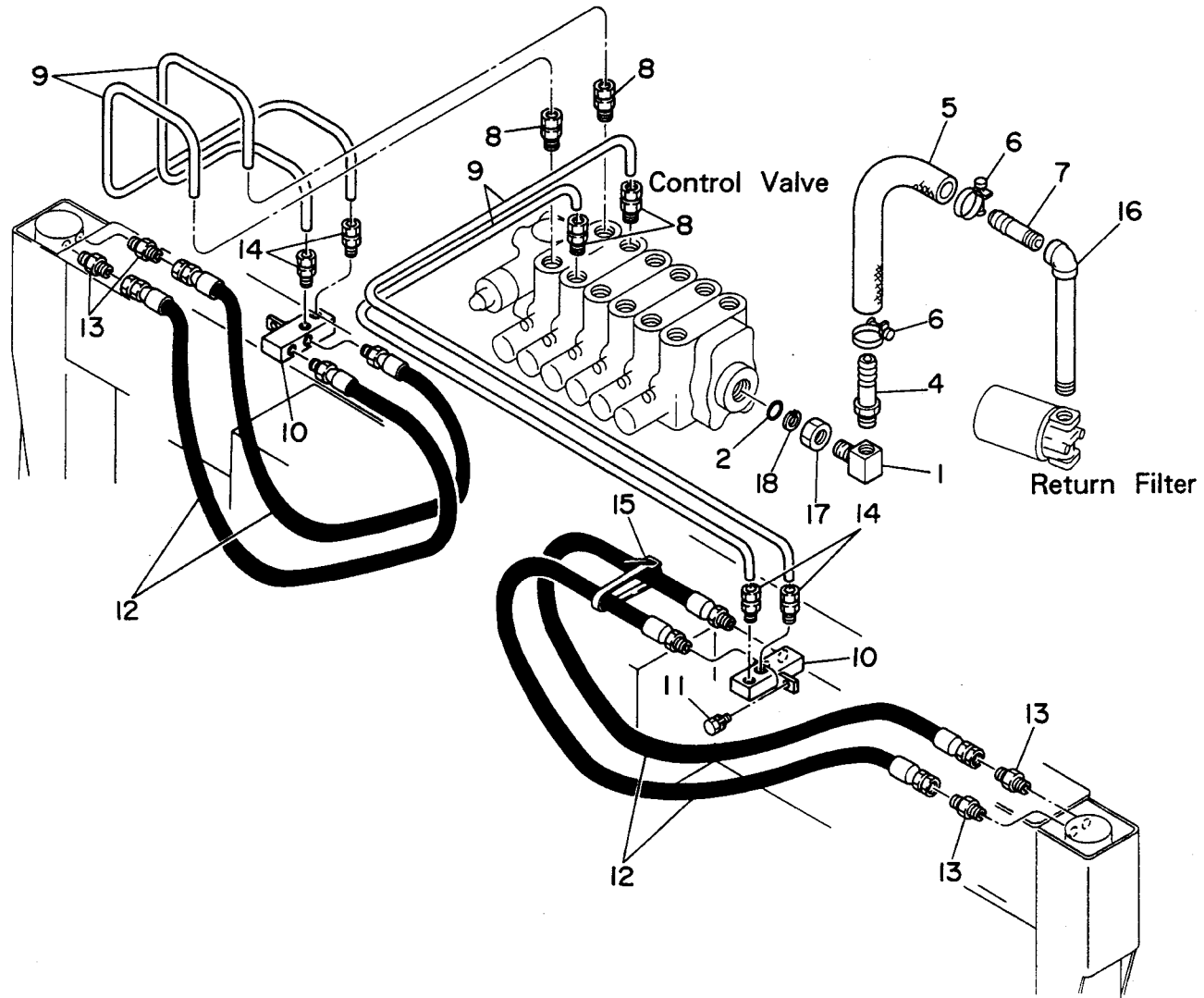


Fig. 8-5 PIPING (Outrigger)

KEY No.	PARTS No.	PARTS NAME	Q t y	M A R K	SERIAL No.	NOTE	KEY No.	PARTS No.	PARTS NAME	Q t y	M A R K	SERIAL No.	NOTE
1~18	☆	Piping (Outrigger)	1 set	△									
1	08B2 65010	Joint-hose	1										
2	7311 91024	Ring-"O"	1										
3	☆												
4	6020 06070	Joint-hose	1										
5	77H1 32000	Hose-rubber	0.5 m										
6	7600 00819	Band-hose	2										
7	0430 62150	Joint-hose	1										
8	7285 71003	Connector	4										
9	77P4 10010	Pipe	ℓ			φ 10 × t1.0							
10	0143 62013	Block-joint	2										
11	7141 10020	Bolt & Washer	2										
12	77F5 02226	Hose-pressure nylon	4										
13	770A 02J04	Adapter (M) (M)	4										
14	7280 51002	Connector (M)	4										
15	7505 16001	Band-wire	6										
16	08A4 65010	Joint	1										
17	0143 62040	Nut	1										
18	0143 62050	Ring-back up	1										

Q.....New and old parts are interchangeable. X.....New and old parts are not interchangeable. △.....Part not for sale. D.....Disuse. Q.....Quantity

Fig. 9 COLUMN ASS'Y

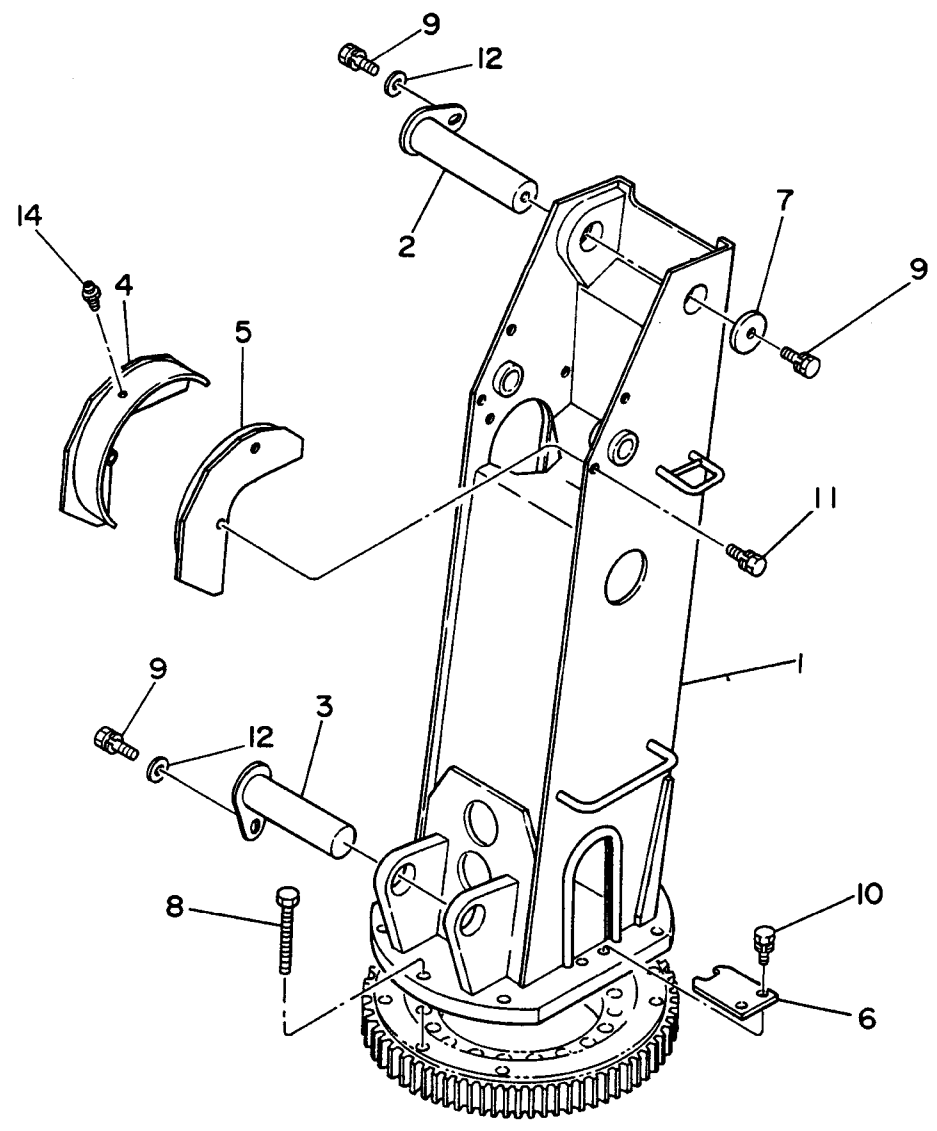


Fig. 9 COLUMN ASS'Y

KEY No.	PARTS No.	PARTS NAME	Q · t y	M A R K	SERIAL No.	NOTE	KEY No.	PARTS No.	PARTS NAME	Q · t y	M A R K	SERIAL No.	NOTE
1~14	08B2 51000	Column Ass'y	1 set	△									
1	08B2 51010	Column	1										
2	084C 51020	Pin (45)	1										
3	0185 51030	Pin	1										
4	084C 51030	Cover (1)	1										
5	084C 51040	Cover (2)	1										
6	083G 51050	Stopper	1										
7	0190 21210	Plate	1										
8	084C 51050	Bolt	10										
9	7601 29046	Bolt & Washer	3										
10	7141 12020	Bolt & Washer	2										
11	7141 10016	Bolt & Washer	4										
12	7221 12120	Washer-plain	2										
13	☆												
14	7243 34000	Nipple-grease	1										

Q.....New and old parts are interchangeable. X.....New and old parts are not interchangeable. △.....Part not for sale. D.....Disuse. Q.....Quantity

Fig. 10 BASE ASS'Y

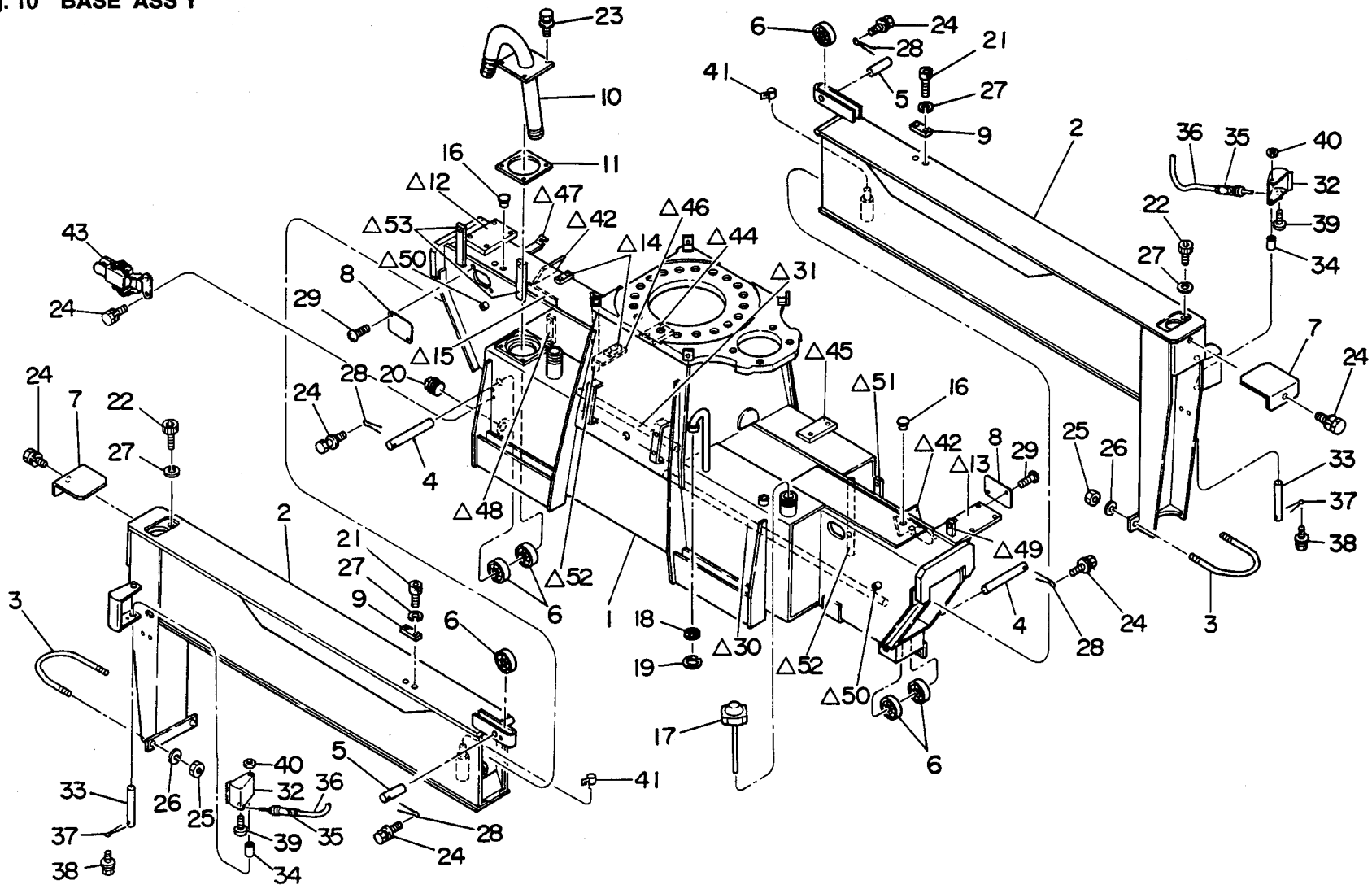


Fig. 10 BASE ASS'Y

KEY No.	PARTS No.	PARTS NAME	Q t y	M A R K	SERIAL No.	NOTE	KEY No.	PARTS No.	PARTS NAME	Q t y	M A R K	SERIAL No.	NOTE
1~41	08B2 55000	Base Ass'y	1 set	△			19	7241 20200	Ring-snap	1			
1	08B2 55010	Base	1				20	7252 61000	Plug	1			
2	084C 55060	Box-inner	2				21	7161 10025	Bolt	4			
3	084C 55030	Band	2				22	7161 10020	Bolt	4			
4	0137 55090	Pin (1)	2				23	7141 08015	Bolt & Washer	4			
5	0137 55110	Pin (3)	2				24	7142 05012	Bolt & Washer	14			
6	7602 10079	Bearing	6				25	7211 11120	Nut	4			
7	0805 55040	Cover (1)	2				26	7222 11120	Washer-spring	4			
8	0805 55130	Cover (2)	2				27	7222 11100	Washer-spring	8			
9	0882 55050	Stopper	2				28	7231 06025	Pin-split	4			
10	084C 55041	Pipe-suction	1				29	7601 10059	Tapping screw	4			
11	0805 55061	Packing	1				30	☆	Pipe (1)	1	△	ℓ = 660	
12	☆	Plate (1)	1	△			31	☆	Pipe (2)	1	△	ℓ = 260	
13	☆	Plate (2)	1	△			32	080B 55090	Lever	2			
14	☆	Plate (3)	2	△			33	0882 55080	Pin (8)	2			
15	☆	Bracket	1	△			34	0882 55091	Collar	2			
16	7604 52013	Cap	4				35	080B 55050	Collar	4			
17	7703 10012	Cap	1				36	7602 60095	Cable Ass'y	2			
18	0805 55120	Filter	1				37	7231 05025	Pin-split	2			

Q.....New and old parts are interchangeable. ☆.....New and old parts are not interchangeable. △.....Part not for sale. D.....Disuse. Q.....Quantity

Fig. 10 BASE ASS'Y

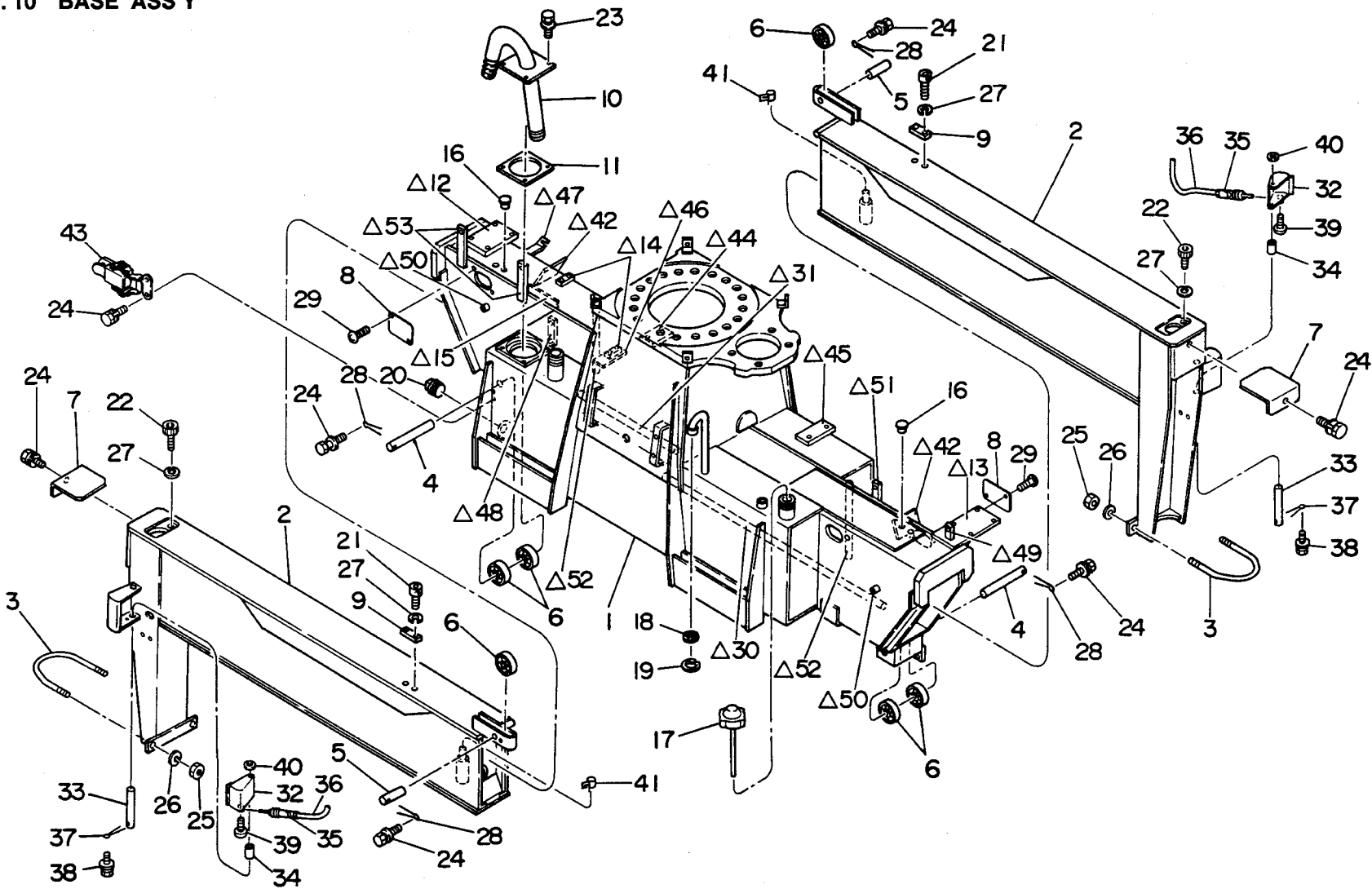


Fig. 10 BASE ASS'Y

KEY No.	PARTS No.	PARTS NAME	Q t y	M A R K	SERIAL No.	NOTE	KEY No.	PARTS No.	PARTS NAME	Q t y	M A R K	SERIAL No.	NOTE
38	7142 04010	Bolt & Washer	2										
39	7111 05008	Bolt	2										
40	7221 12080	Washer-plain	2										
41	7609 90207	Band-hose	2										
42	☆	Plate	2	△									
43	7604 52014	Catcher	2										
44	☆	Plate (4)	1	△									
45	☆	Plate (5)	1	△									
46	☆	Plate (6)	1	△									
47	☆	Plate (7)	1	△									
48	☆	Bracket (2)	1	△									
49	☆	Plate (8)	1	△									
50	☆	Boss	2	△									
51	☆	Plate (9)	1	△									
52	☆	Pipe (3)	2	△		ℓ = 200							
53	☆	Plate (10)	2	△									

Q.....New and old parts are interchangeable. X.....New and old parts are not interchangeable. △.....Part not for sale. D.....Disuse. Q.....Quantity

Fig. 11 SWING DEVICE ASS'Y

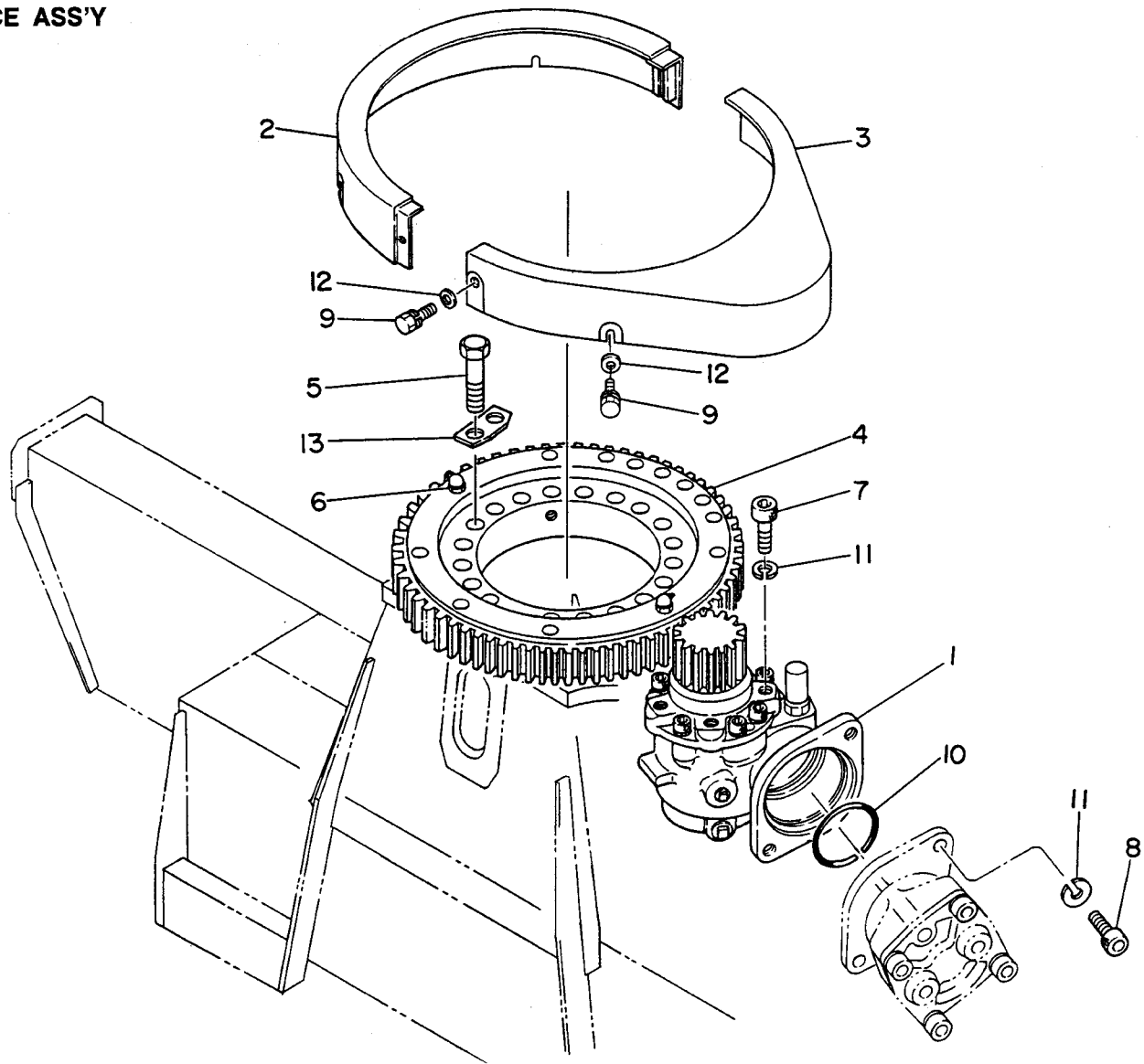


Fig. 11 SWING DEVICE ASS'Y

KEY No.	PARTS No.	PARTS NAME	Q t y	M A R K	SERIAL No.	NOTE	KEY No.	PARTS No.	PARTS NAME	Q t y	M A R K	SERIAL No.	NOTE
1~13	084C 41000	Swing device Ass'y	1 set	△									
1	084C 41010	Swing gear box Ass'y SEE Fig. 12	1										
2	084C 41020	Cover (1)	1										
3	084C 41030	Cover (2)	1										
4	7405 30034	Table-turn	1										
5	084C 41040	Bolt	15										
6	7243 34000	Nipple-grease	2										
7	7161 14045	Bolt	4										
8	7161 14035	Bolt	2										
9	7141 08018	Bolt & Washer	6										
10	7311 72100	Ring- "O"	1										
11	7222 11140	Washer-spring	6										
12	7221 12080	Washer-plain	6										
13	084C 41051	Stopper	8										

Q.....New and old parts are interchangeable. X.....New and old parts are not interchangeable. △.....Part not for sale. D.....Disuse. Q.....Quantity

Fig. 12 SWING GEAR BOX ASS'Y

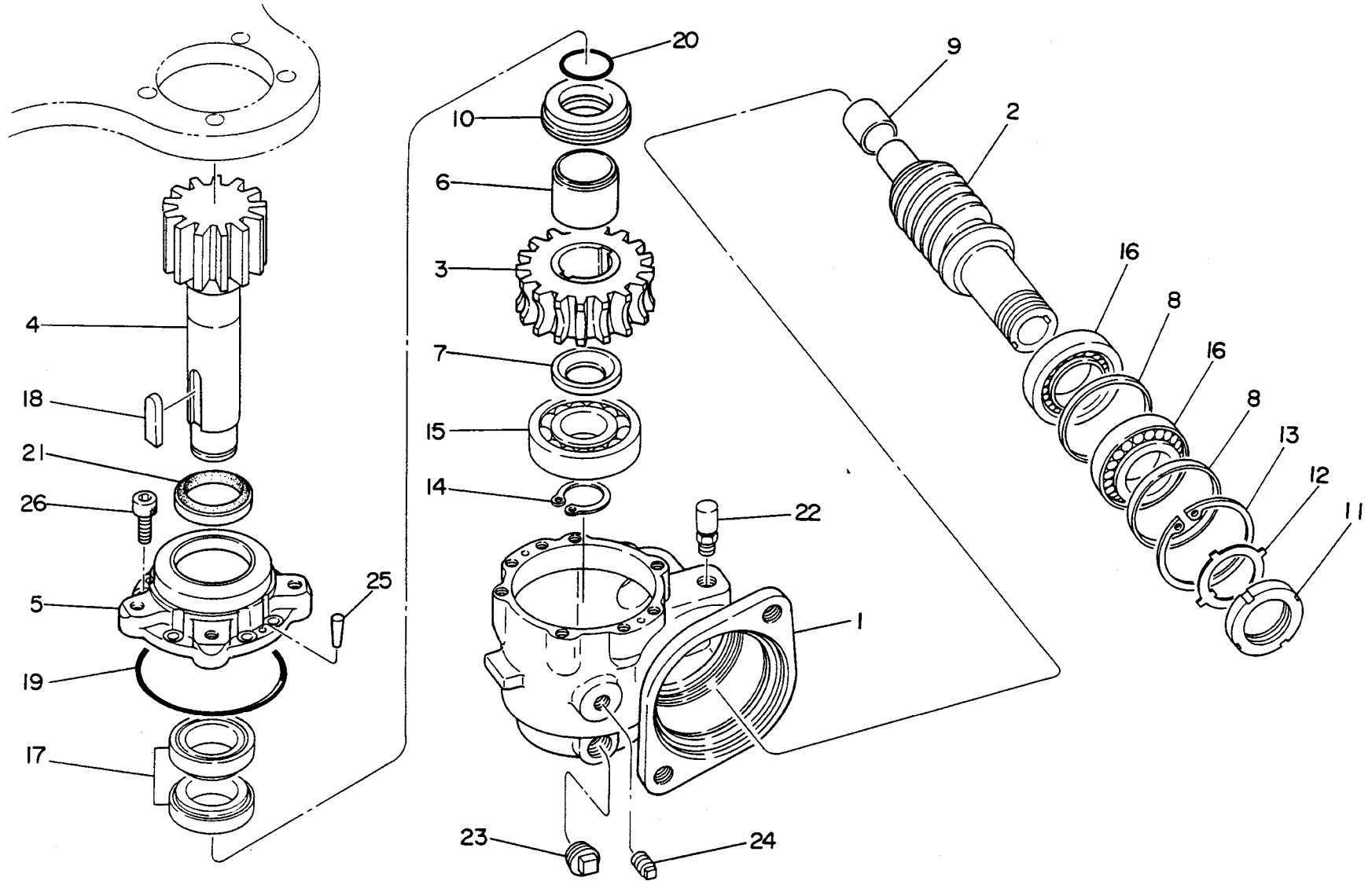


Fig. 12 SWING GEAR BOX ASS'Y

KEY No.	PARTS No.	PARTS NAME	Q t y	M A R K	SERIAL No.	NOTE	KEY No.	PARTS No.	PARTS NAME	Q t y	M A R K	SERIAL No.	NOTE
1~26	084C 41010	Swing gear box Ass'y	1	set			19	7311 72100	Ring-"O"	1			
1	AJ41 01010	Casing	1				20	7311 72060	Ring-"O"	1			
2	K841 05021	Shaft-warm	1				21	8220 56070	Seal-dust	1			
3	AP41 01010	Wheel-warm	1				22	0138 41120	Breather	1			
4	AP41 01020	Shaft-gear	1				23	7252 60300	Plug	1			PT3/8
5	AP41 01030	Housing-bearing	1				24	7252 60100	Plug	1			PT1/8
6	K841 05050	Collar (1)	1				25	7232 08030	Pin-taper	2			
7	AP41 01040	Collar (2)	1				26	7161 08020	Bolt	8			
8	K841 01070	Collar (3)	2										
9	F241 01080	Bushing (1)	1										
10	AP41 01050	Nut	1										
11	7243 10800	Nut-crown	1										
12	7243 20800	Washer-crown	1										
13	7241 20800	Ring-snap	1										
14	7241 10350	Ring-snap	1										
15	7260 62070	Bearing-ball	1										
16	7263 20100	Bearing-taper roller	2										
17	7263 20080	Bearing-taper roller	2										
18	7332 12044	Key	2										

Q.....New and old parts are interchangeable. X.....New and old parts are not interchangeable. Δ.....Part not for sale. D.....Disuse. Q.....Quantity

Fig. 13 HOIST WINCH ASS'Y

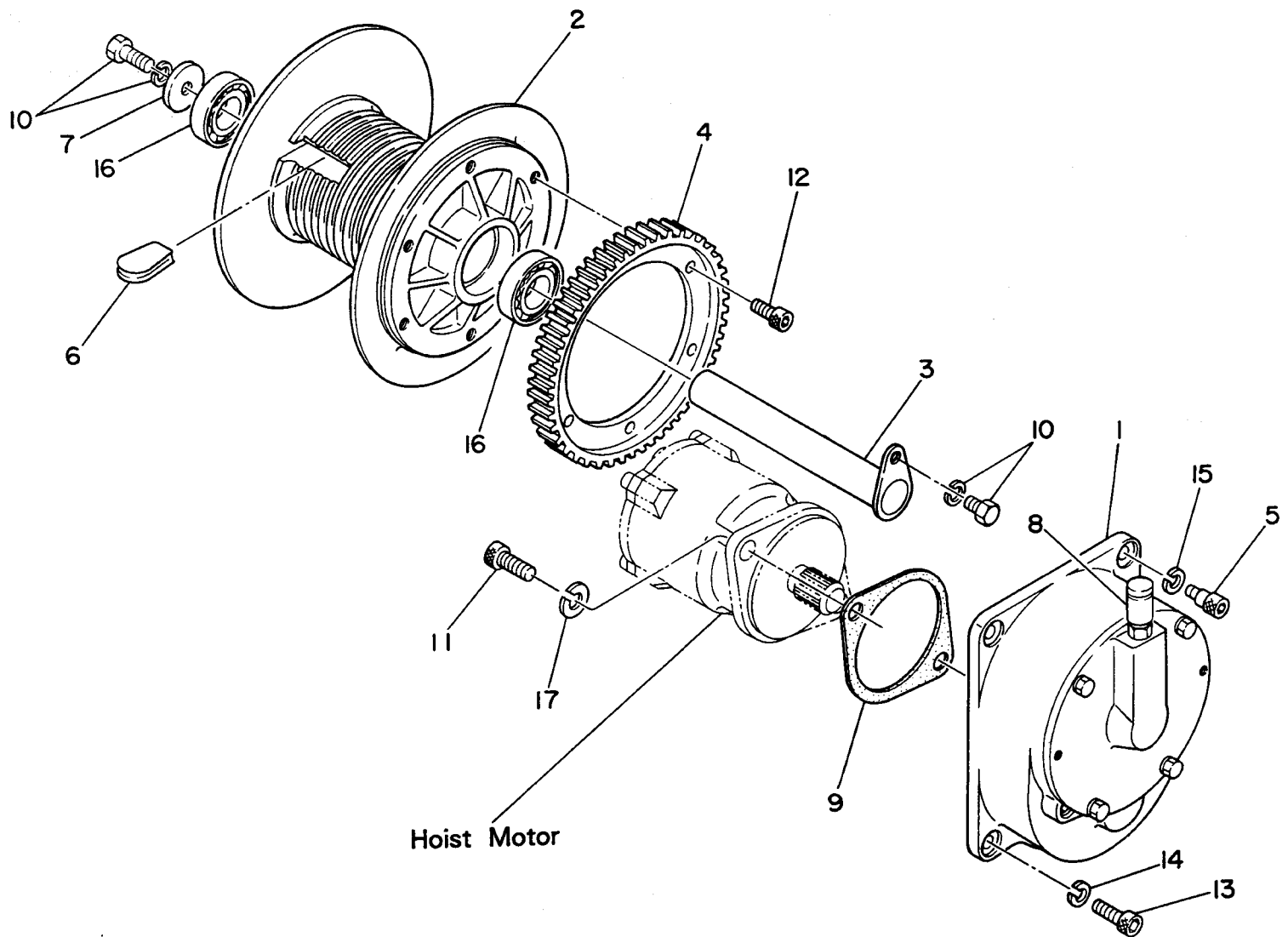


Fig. 13 HOIST WINCH ASS'Y

KEY No.	PARTS No.	PARTS NAME	Q t y	M A R K	SERIAL No.	NOTE	KEY No.	PARTS No.	PARTS NAME	Q t y	M A R K	SERIAL No.	NOTE
1~17	08B2 31000	Hoist winch Ass'y	1				18-2	0143 31070	Shim (2)	1			t = 0.8
1	0882 31030	Winch gear box Ass'y SEE Fig. 14	1										
2	08B2 31010	Drum	1			φ 136							
3	084C 31020	Pin (30)	1										
4	0143 31040	Gear (4)	1										
5	0143 31051	Bolt-set	1										
6	0123 32090	Wedge	1										
7	0119 51060	Plate	1										
8	0138 41120	Vent plug	1										
9	0125 31340	Packing (3)	1										
10	7141 10016	Bolt & Washer	2										
11	7161 14025	Bolt	2										
12	7161 10020	Bolt	6										
13	7161 10025	Bolt	3										
14	7222 11100	Washer-spring	3										
15	7222 11120	Washer-spring	1										
16	7260 62062	Bearing	2										
17	7222 11140	Washer-spring	2										
18-1	0143 31060	Shim (1)	1			t = 0.4							

⊙.....New and old parts are interchangeable. ✕.....New and old parts are not interchangeable. △.....Part not for sale. D.....Disuse. Q.....Quantity

Fig. 14 WINCH GEAR BOX ASS'Y

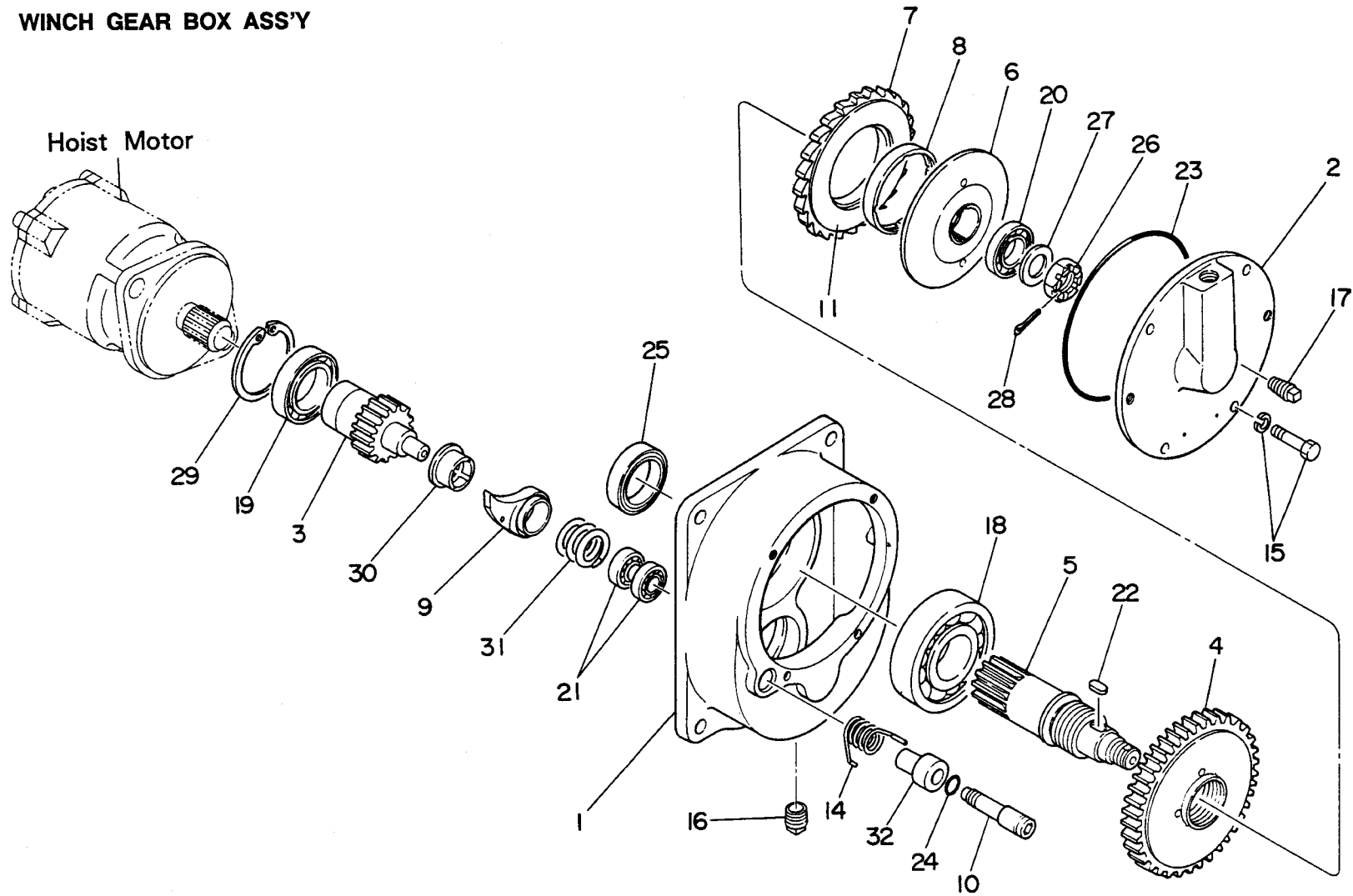


Fig. 14 WINCH GEAR BOX ASS'Y

KEY No.	PARTS No.	PARTS NAME	Q t y	M A R K	SERIAL No.	NOTE	KEY No.	PARTS No.	PARTS NAME	Q t y	M A R K	SERIAL No.	NOTE
1~32	0882 31030	Winch gear box Ass'y	1 set				19	7260 60080	Bearing	1			
1	N131 03010	Casing	1				20	7260 60050	Bearing	1			
2	N131 01020	Cover	1				21	7602 10092	Bearing	2			
3	N131 01030	Gear (1)	1				22	7331 07020	Key	2			
C 4	0125 31074	Gear (2)	1				23	7311 72145	Ring-"O"	1			
C 5	K831 01020	Shaft-gear	1				24	7311 74016	Ring-"O"	1			
6	0125 31122	Disc	1				25	8520 45062	Seal-oil	1			
A 7	0125 31111	Wheel-ratchet	1				26	7213 31200	Nut-castle	1			
A 8	0125 31143	Bushing	1				27	7221 12200	Washer-plain	1			
B 9	N131 03020	Pawl	1				28	7231 04030	Pin-split	1			
10	N131 01050	Pin-pawl	1				29	7241 20680	Ring-snap	1			
11	V131 01050	Brake shoe Ass'y	2				B 30	N131 01070	Bushing	1			
12	☆						31	N131 03030	Spring	1			
13	☆						32	N131 01091	Collar	1			
14	N131 01060	Spring	1				A	NB1 03810	Ratchet wheel Ass'y	1			
15	7141 08020	Bolt & Washer	4				B	NB1 03820	Pawl Ass'y	1			
16	7252 60300	Plug	1				C	NB1 03830	Gear shaft Ass'y	1			
17	7252 60100	Plug	1										
18	7260 63090	Bearing	1										

Q.....New and old parts are interchangeable. X.....New and old parts are not interchangeable. Δ.....Part not for sale. D.....Disuse. Q.....Quantity

Fig. 15 BOOM LIFT CYLINDER ASS'Y

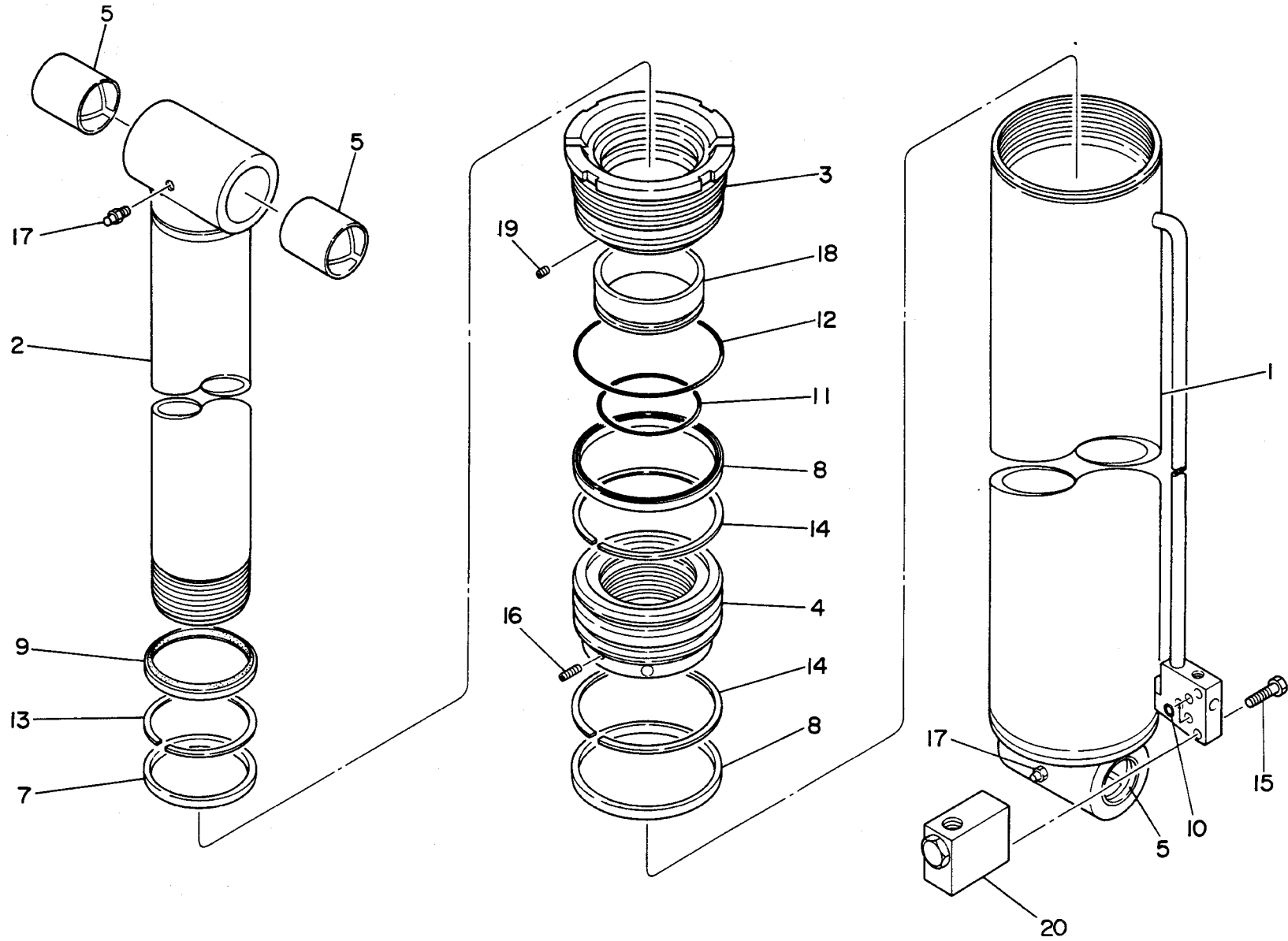


Fig. 15 BOOM LIFT CYLINDER ASS'Y

KEY No.	PARTS No.	PARTS NAME	Q t y	M A R K	SERIAL No.	NOTE	KEY No.	PARTS No.	PARTS NAME	Q t y	M A R K	SERIAL No.	NOTE
1~19	084C 11000	Boom lift cylinder Ass'y	1	set			19	7049 06008	Screw-set	1			
1	084C 11010	Tube Ass'y (1)	1				20	6014 74000	Boom lift cylinder holding valve Ass'y SEE Fig. HP4	1			CB-03ED
2	084C 11021	Rod Ass'y (1)	1										
3	084C 11030	Gland	1				S	9180 511P0	Packing set	1			
4	084C 11040	Bushing-gland	1							set			
5	084C 11050	Piston	1										
6	☆												
S 7	8230 80090	Packing	1										
S 8	8231 06120	Packing	2										
S 9	8300 80094	Seal-dust	1										
S10	7311 91016	Ring-"O"	1										
S11	7311 92080	Ring-"O"	1										
S12	7311 91115	Ring-"O"	1										
S13	8280 80090	Ring-back up	1										
S14	8281 06120	Ring-back up	2										
15	7117 08030	Bolt	3										
16	7049 08020	Screw-set	2										
17	7243 32000	Nipple-grease	2										
18	084C 11060	Screw-set	1										

○.....New and old parts are interchangeable. ✕.....New and old parts are not interchangeable. △.....Part not for sale. D.....Disuse. Q.....Quantity

Fig. 16 OUTRIGGER CYLINDER ASS'Y

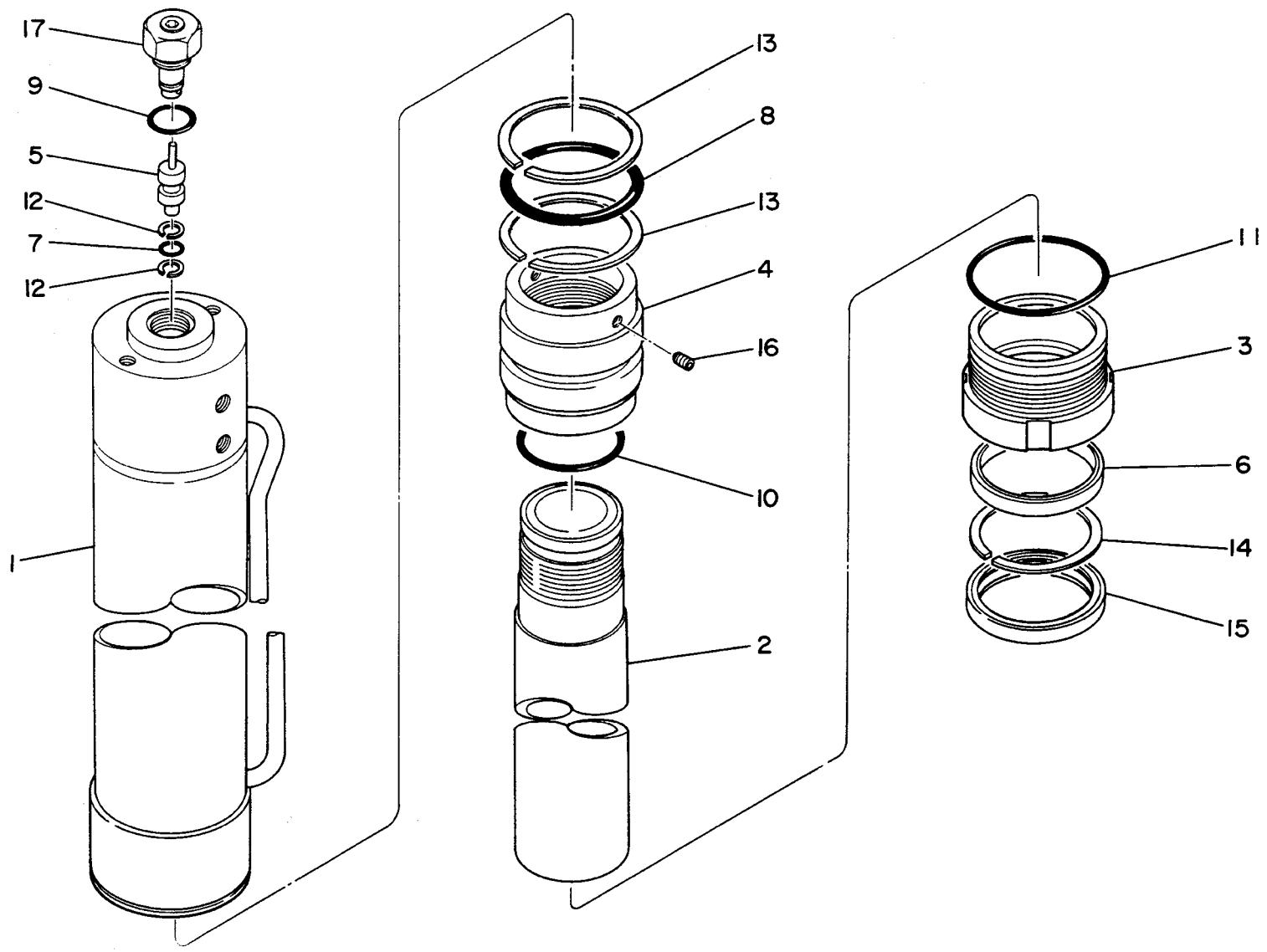


Fig. 16 OUTRIGGER CYLINDER ASS'Y

KEY No.	PARTS No.	PARTS NAME	Q · t y	M A R K	SERIAL No.	NOTE	KEY No.	PARTS No.	PARTS NAME	Q · t y	M A R K	SERIAL No.	NOTE
1~17	083G 13000	Outrigger cylinder Ass'y	1 set				S	9183 G13P0	パッキンセット Packing set	1 set			
1	083G 13010	Tube Ass'y (1)	1										
2	083G 13021	Rod Ass'y (1)	1										
3	083G 13030	Gland	1										
4	083G 13040	Piston	1										
5	0143 13041	Spool	1										
S 6	8410 55065	Packing	1										
S 7	7311 71011	Ring- "O"	1										
S 8	7311 91060	Ring- "O"	1										
S 9	7311 92025	Ring- "O"	1										
S10	7311 92050	Ring- "O"	1										
S11	7311 92065	Ring- "O"	1										
S12	7321 21011	Ring-back up	2										
S13	7321 21060	Ring-back up	2										
S14	8280 55065	Ring-back up	1										
S15	8300 55069	Seal-dust	1										
16	7049 08010	Screw-set	2										
17	6016 81000	Outrigger cylinder holding valve SEE Fig. HP6 Ass'y	1			CP-03F							

Q.....New and old parts are interchangeable. X.....New and old parts are not interchangeable. Δ.....Part not for sale. D.....Disuse. Q.....Quantity

Fig. 17 SWIVEL JOINT ASS'Y

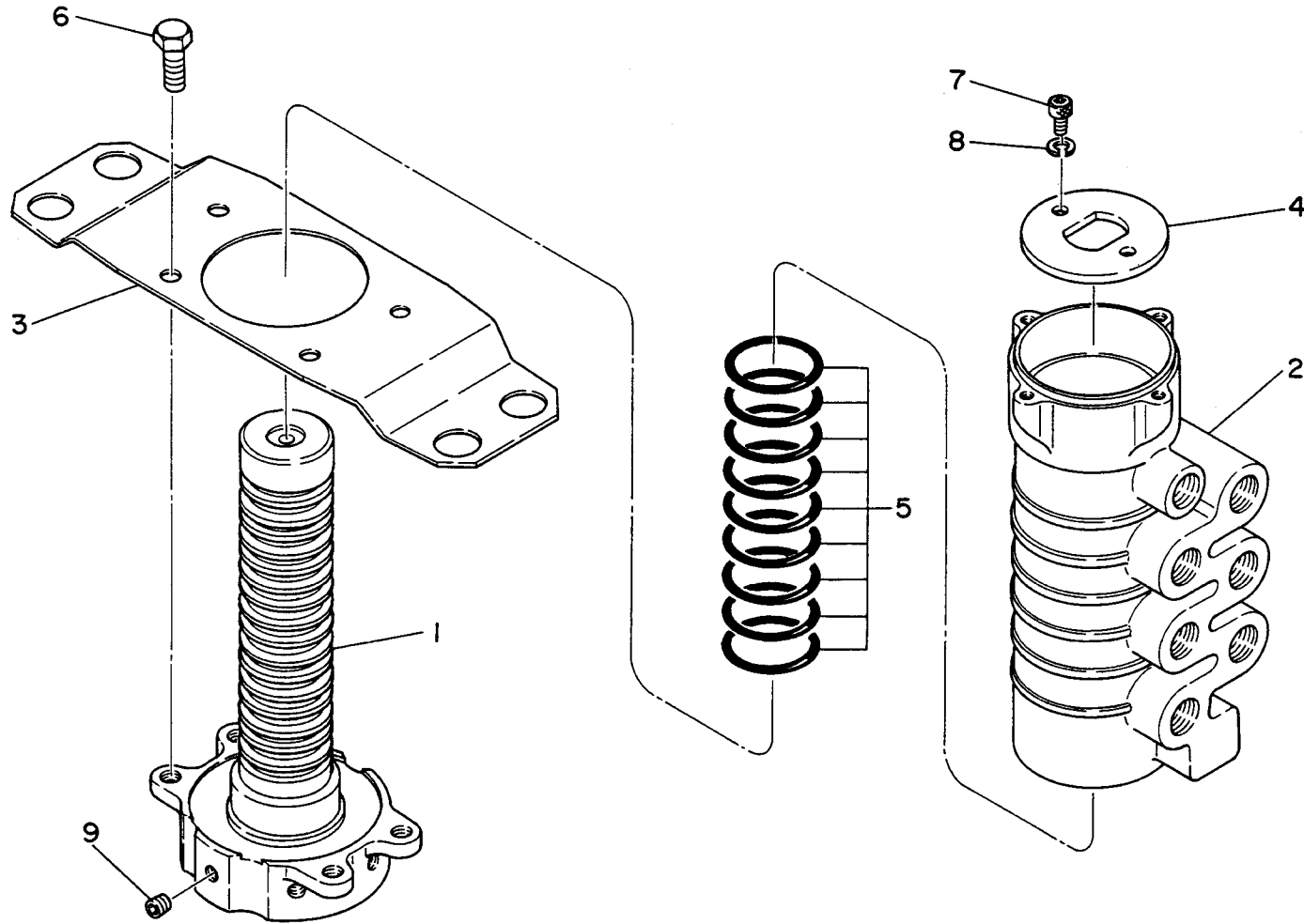


Fig. 17 SWIVEL JOINT ASS'Y

KEY No.	PARTS No.	PARTS NAME	Q · t y	M A R K	SERIAL No.	NOTE	KEY No.	PARTS No.	PARTS NAME	Q · t y	M A R K	SERIAL No.	NOTE
1~9	084C 43000	Swivel joint Ass'y	1 set										
1	0805 43011	Inner part	1										
2	0805 43021	Outer part	1										
3	083G 43010	Flange	1										
4	0805 43040	Plate	1										
5	8374 54062	Packing	9										
6	7601 29043	Bolt	4										
7	7161 06012	Bolt	2										
8	7222 11060	Washer-spring	2										
9	7287 20200	Plug	17										

⊕.....New and old parts are interchangeable. ⊗.....New and old parts are not interchangeable. △.....Part not for sale. D.....Disuse. Q.....Quantity

Fig. 18 SLIP RING ASS'Y

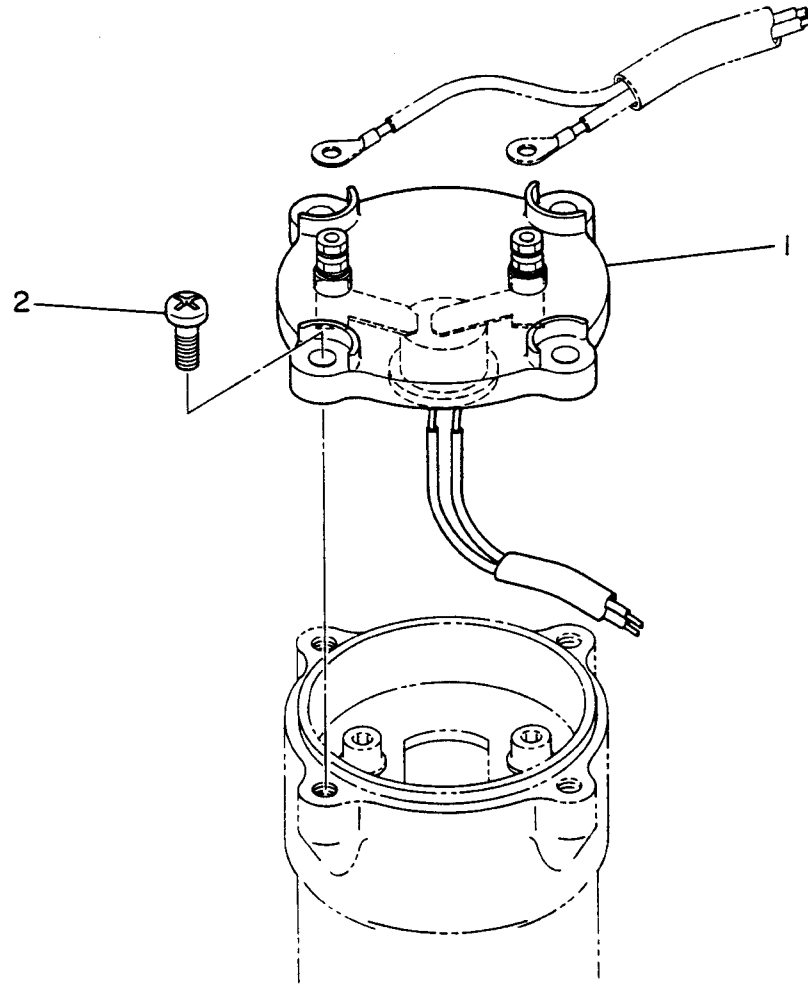


Fig. 18 SLIP RING ASS'Y

KEY No.	PARTS No.	PARTS NAME	Q t y	M A R K	SERIAL No.	NOTE	KEY No.	PARTS No.	PARTS NAME	Q t y	M A R K	SERIAL No.	NOTE
1~2	0805 93000	Slip ring Ass'y	1 set										
1	7505 07010	Slip ring	1										
2	7012 06015	Screw-machine	4										

Q.....New and old parts are interchangeable. X.....New and old parts are not interchangeable. Δ.....Part not for sale. D.....Disuse. Q.....Quantity

Fig. 19 CONTROL ASS'Y

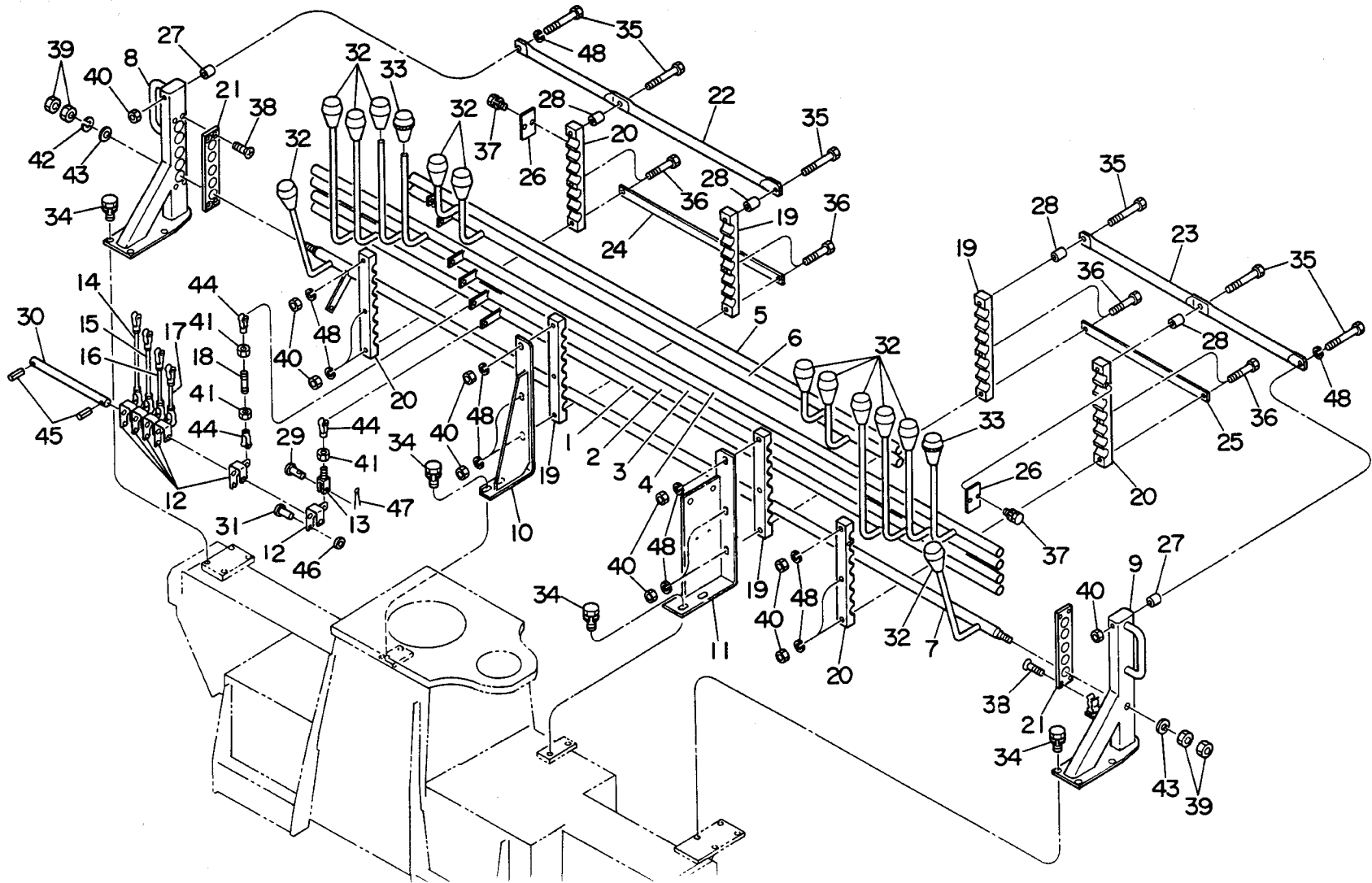


Fig. 19 CONTROL ASS'Y

KEY No.	PARTS No.	PARTS NAME	Q t y	M A R K	SERIAL No.	NOTE	KEY No.	PARTS No.	PARTS NAME	Q t y	M A R K	SERIAL No.	NOTE
1~48	08B2 58000	Control Ass'y	1 set	△			19	08A4 58210	Stopper-pipe (1)	4			
1	08B2 58011	Lever Ass'y (1)	1				20	08A4 58220	Stopper-pipe (2)	4			
2	08B2 58021	Lever Ass'y (2)	1				21	08A4 58230	Plate	2			
3	08B2 58031	Lever Ass'y (3)	1				22	08B2 58110	Pipe (1)	1			
4	08B2 58041	Lever Ass'y (4)	1				23	08B2 58120	Pipe (2)	1			
5	08B2 58051	Lever Ass'y (5)	1				24	08B2 58130	Plate (1)	1			
6	08B2 58061	Lever Ass'y (6)	1				25	08B2 58140	Plate (2)	1			
7	08B2 58071	Lever Ass'y (7)	1				26	08A4 58280	Plate (3)	2			
8	08A4 58080	Bracket (1)	1				27	08A4 58290	Collar (1)	2			
9	08A4 58090	Bracket (2)	1				28	08A4 58310	Collar (2)	4			
10	08B2 58080	Bracket (3)	1				29	0143 54380	Pin	1			
11	08B2 58090	Bracket (4)	1				30	0143 53141	Pin (1)	1			
12	08A4 58130	Link	6				31	0805 58240	Pin (5)	6			
13	08A4 58140	End-fork	1				32	080B 58010	Knob (Black)	12			
14	08A4 58150	Rod (1)	1				33	080B 58020	Knob (Red)	2			
15	08A4 58160	Rod (2)	1				34	7141 10020	Bolt & Washer	12			
16	08A4 58170	Rod (3)	1				35	7111 08080	Bolt	6			
17	08A4 58180	Rod (4)	1				36	7111 08060	Bolt	8			
18	08A4 58190	Rod (5)	1				37	7141 08015	Bolt & Washer	4			

Q.....New and old parts are interchangeable. X.....New and old parts are not interchangeable. △.....Part not for sale. D.....Disuse. Q.....Quantity

Fig. 19 CONTROL ASS'Y

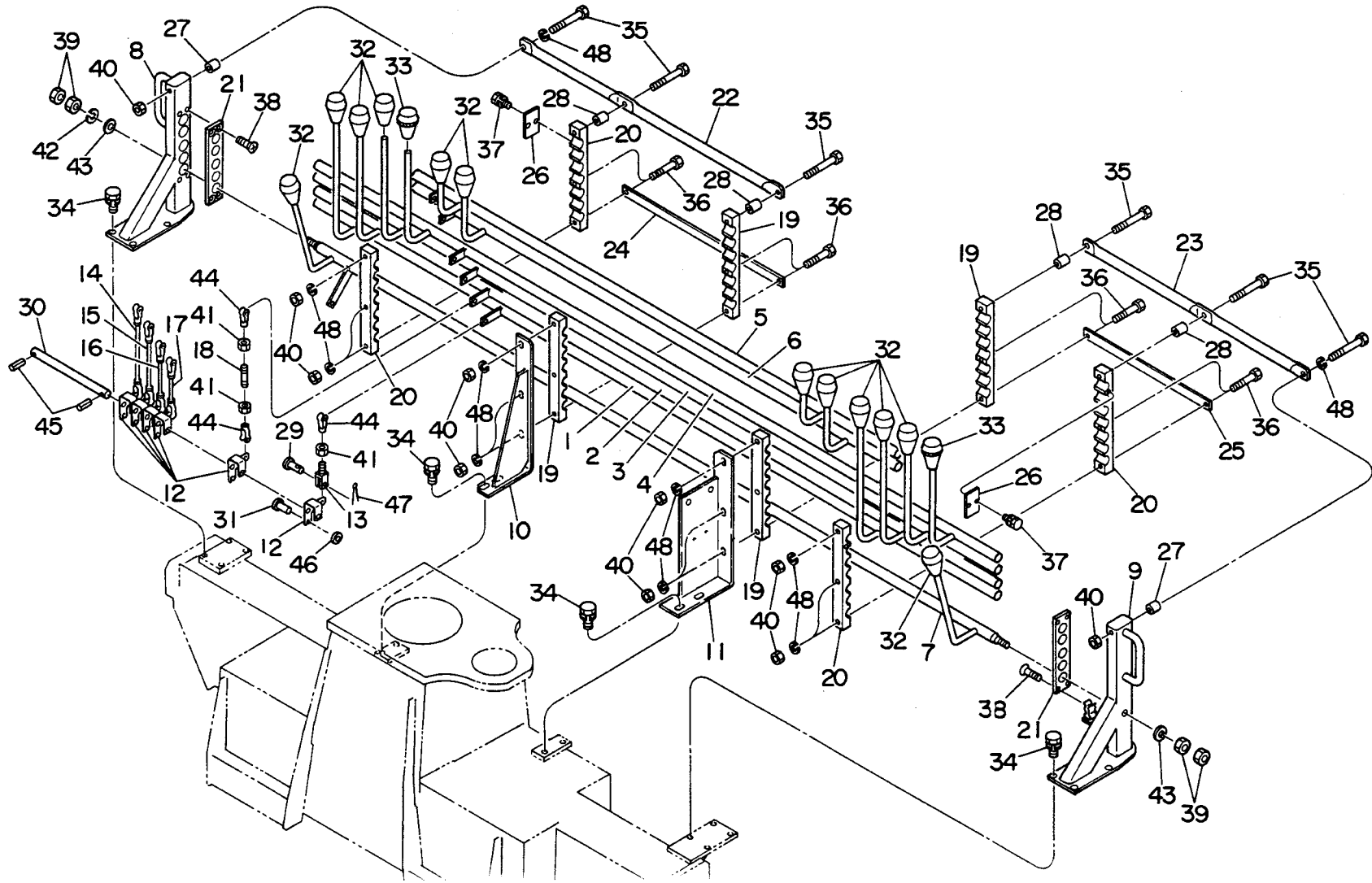


Fig. 19 CONTROL ASS'Y

KEY No.	PARTS No.	PARTS NAME	Q · t y	M A R K	SERIAL No.	NOTE	KEY No.	PARTS No.	PARTS NAME	Q · t y	M A R K	SERIAL No.	NOTE
38	7015 08020	Screw-machine	8										
39	7211 11120	Nut	4										
40	7211 11080	Nut	14										
41	7211 11060	Nut	11										
42	7222 11120	Washer-spring	1										
43	7221 12120	Washer-plain	2										
44	7609 90195	Clevis Ass'y	11										
45	7234 05025	Pin-spring	2										
46	7241 90050	Nut-push	6										
47	7231 02020	Pin-split	1										
48	7222 11080	Washer-spring	14										

□.....New and old parts are interchangeable. ✕.....New and old parts are not interchangeable. △.....Part not for sale. D.....Disuse. Q.....Quantity

Fig. 20 PLACARD

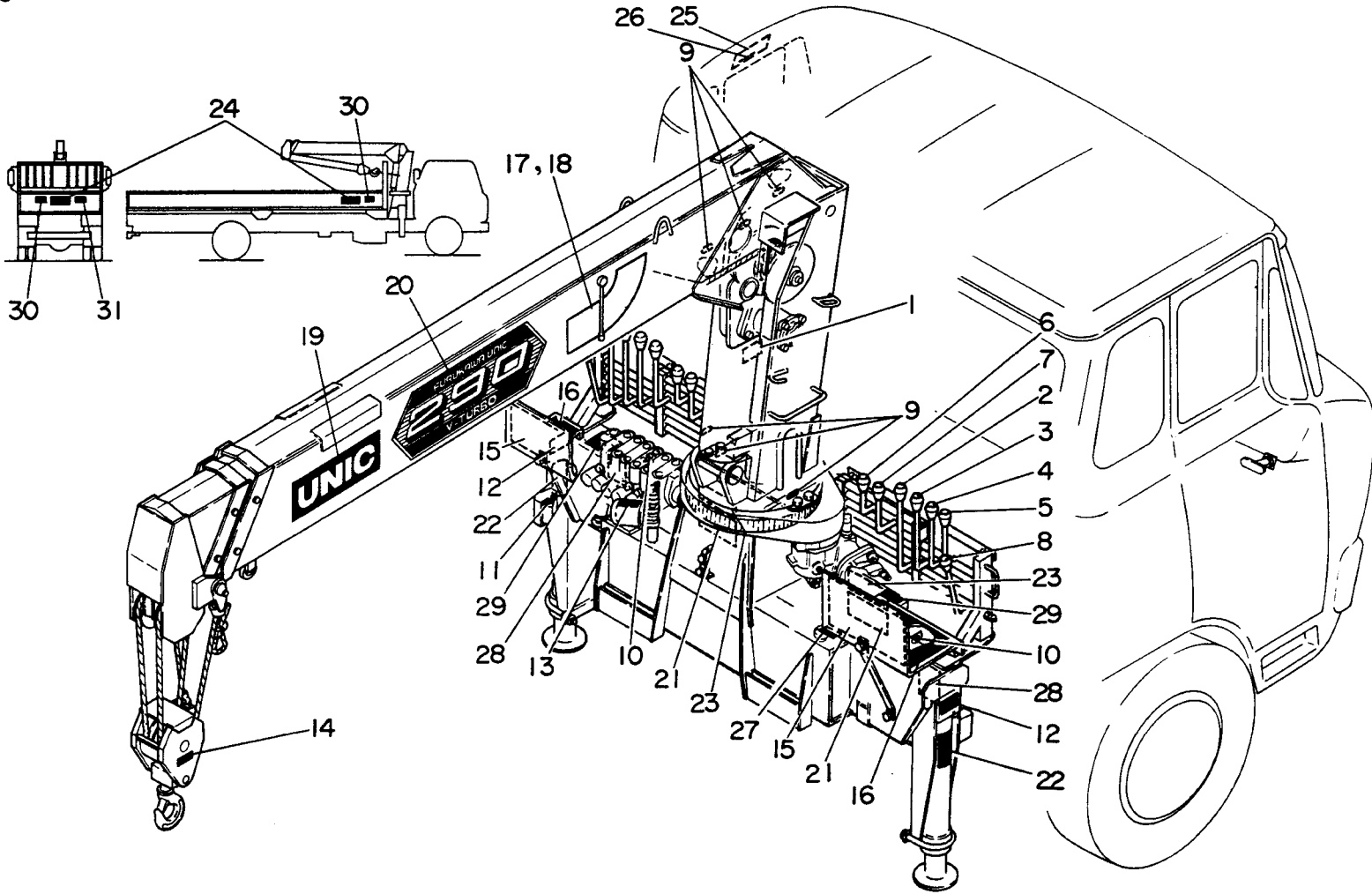


Fig. 20 PLACARD

KEY No.	PARTS No.	PARTS NAME	Q t y	M A R K	SERIAL No.	NOTE	KEY No.	PARTS No.	PARTS NAME	Q t y	M A R K	SERIAL No.	NOTE
1~31	☆	Placard	1 set	△			19	6021 05030	Placard (UNIC)	2			
1	0891 81010	Crane model name plate	1				20	084C 81110	Placard (290)	2			
2	088D 81011	Placard (Raise/Lower)	2				21	088F 81090	Placard (Electrocution Hazard)	2			
3	088D 81021	Placard (Hoist)	2				22	088F 81050	Placard (Danger, O/R operation)	2			
4	088D 81030	Placard (Telescoping)	2				23	088F 81070	Placard (Replacement warning)	2			
5	088D 81041	Placard (Swing)	2				24	088F 81110	Placard (Electrocution Hazard)	3			
6	08A4 81010	Placard (Outrigger street side)	2				25	088F 81080	Placard (Caution, RPM Rooding)	1			
7	08A4 81020	Placard (Outrigger curve side)	2				26	6021 04431	Placard (Name plate "UNIC")	2			
8	08A4 81030	Placard (Accelerator)	2				27	088F 81060	Placard (Hydraulic oil only)	1			
9	0805 81060	Placard (Grease)	6				28	08A4 81090	Placard (Caution, inspect vehicle)	2			
10	0805 81070	Placard (Warning horn)	2				29	08A4 81110	Placard (Danger, two blocking)	2			
11	0882 81082	Placard (Blue mark)	2				30	08A4 81120	Placard (Danger, Ride Load line)	3			
12	0891 81060	Placard (Caution O/R operation)	2				31	08A4 81130	Placard (Danger, Hoisting Personnel)	1			
13	0891 81070	Placard (Filter)	1										
14	08B2 81040	Placard (Hook)	2										
15	08B2 81030	Placard (Maximum load chart)	2										
16	08A4 81080	Placard (Operating instructions)	2										
17	08B2 81010	Placard (Boom angle R.H.)	1										
18	08B2 81020	Placard (Boom angle L.H.)	1										

Q.....New and old parts are interchangeable. X.....New and old parts are not interchangeable. △.....Part not for sale. D.....Disuse. Q.....Quantity

Fig. 21 EQUIPMENT

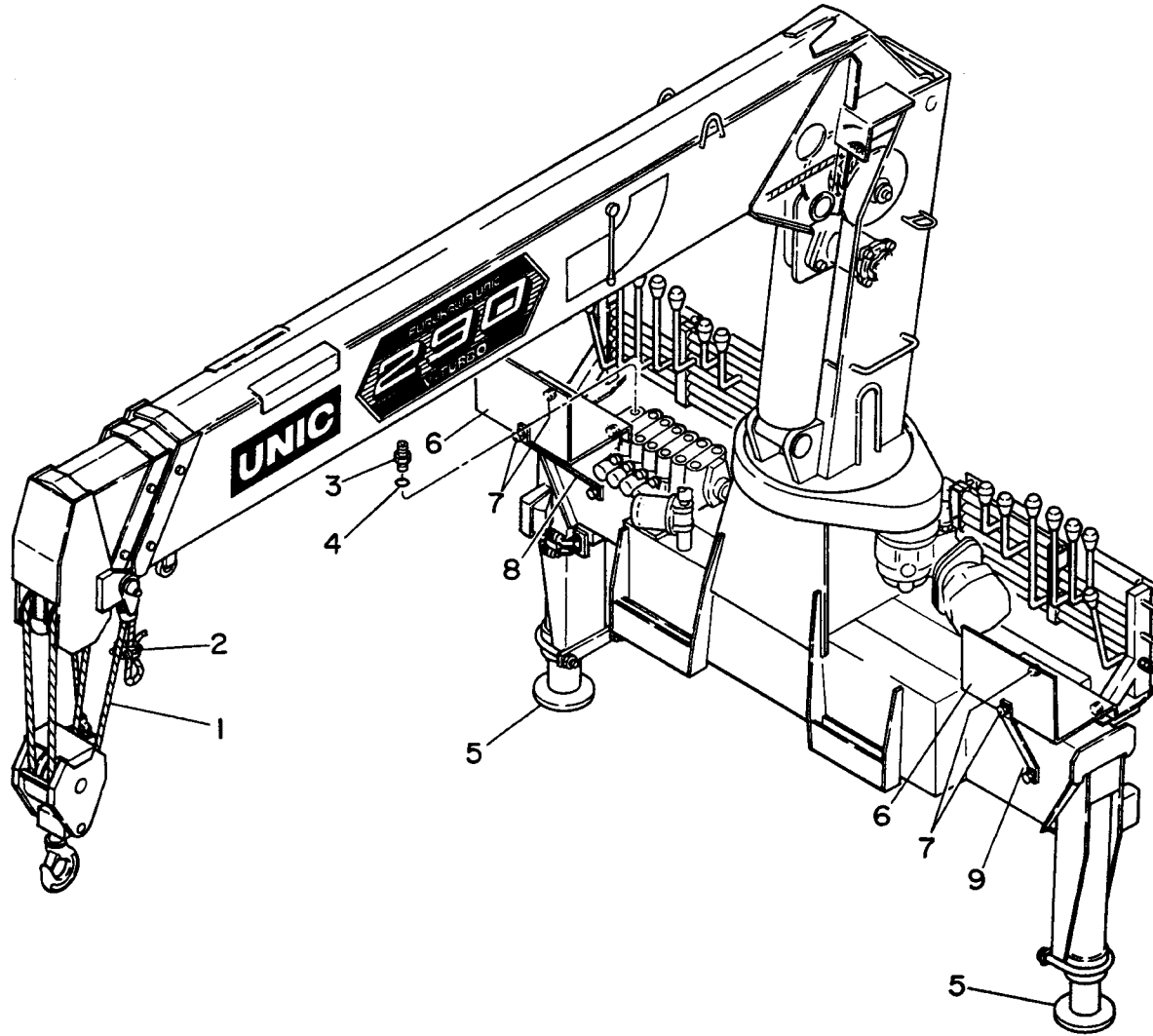


Fig. 21 EQUIPMENT

KEY No.	PARTS No.	PARTS NAME	Q · t y	M A R K	SERIAL No.	NOTE	KEY No.	PARTS No.	PARTS NAME	Q · t y	M A R K	SERIAL No.	NOTE
1~9	☆	Equipment	1 set	△									
1	7602 50128	Rope-wire	8 φ × 44m										
2	7601 60064	Clip-wire	1										
3	0891 81020	Joint	1										
4	7311 91018	Ring-"O"	1										
5	0143 88420	Float	2										
6	088F 81010	Panel	2										
7	7141 08015	Bolt with Washer	8										
8	088F 81120	Plate	1										
9	0882 81050	Plate	1										

⊙.....New and old parts are interchangeable. ✕.....New and old parts are not interchangeable. △.....Part not for sale. D.....Disuse. Q.....Quantity

HYDRAULIC PARTS

Fig. HP1 CONTROL VALVE ASS'Y (MV-30A, 6-Spool)

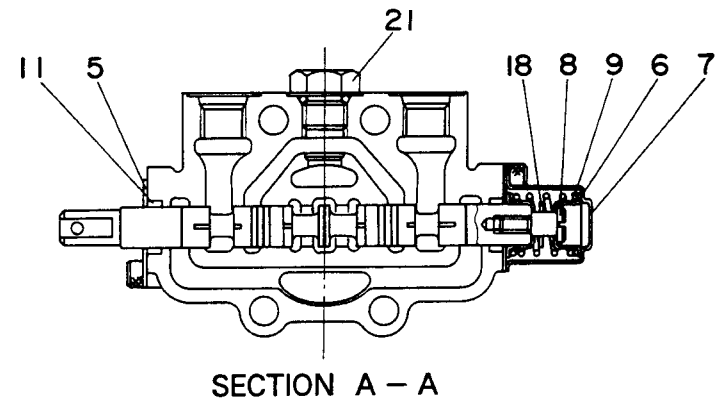
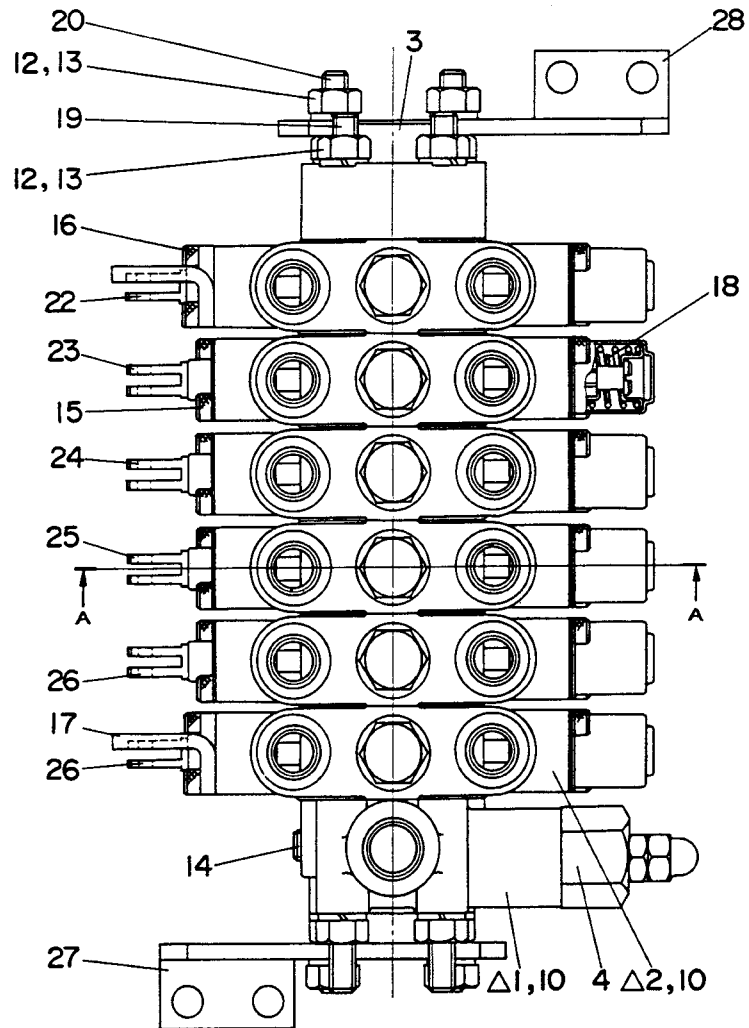


Fig. HP1 CONTROL VALVE ASS'Y (MV-30A, 6-Spool)

KEY No.	PARTS No.	PARTS NAME	Q t y	M A R K	SERIAL No.	NOTE	KEY No.	PARTS No.	PARTS NAME	Q t y	M A R K	SERIAL No.	NOTE
1~28	6019 06000	Control valve Ass'y	1 set			MV-30A	19	6016 25040	Rod-tie (1)	2			ℓ = 320
1	☆	Body-inlet	1	△			20	6015 60010	Rod-tie (2)	2			ℓ = 335
2	☆	Body-valve (Parallel)	6	△			21	7288 90300	Plug	6			
3	6016 25020	Body-outlet	1				22	6017 28040	Meter in out spool	1			
4	6014 93000	Relief valve Ass'y SEE Fig. HP2	1			RT-15C	23	6017 28010	Meter out spool	1			
5	6015 50040	Seat-seal	10				24	6016 25071	Meter in spool	1			
6	6015 50050	Seat-spring	12				25	6017 76010	Meter out spool "S"	1			
7	6017 25010	Cover	6				26	6015 50161	Meter in spool	2			
8	6015 50071	Screw-cap	6				27	6019 06010	Bracket (1)	1			
9	6016 25030	Spring	6				28	6019 06020	Bracket (2)	1			
10	7701 70026	Ring-"O"	7										
11	7702 20003	Seal-dust	12										
12	7222 11100	Washer-spring	12										
13	7211 15100	Nut	12										
14	7287 20200	Plug	1										
15	7161 06008	Bolt	20										
16	7161 06012	Bolt	4										
17	6015 50114	Bracket	2										
18	6015 50090	Spacer	2										

Q.....New and old parts are interchangeable. X.....New and old parts are not interchangeable. △.....Part not for sale. D.....Disuse. Q.....Quantity

Fig. HP2 RELIEF VALVE ASS'Y (RT-15C)

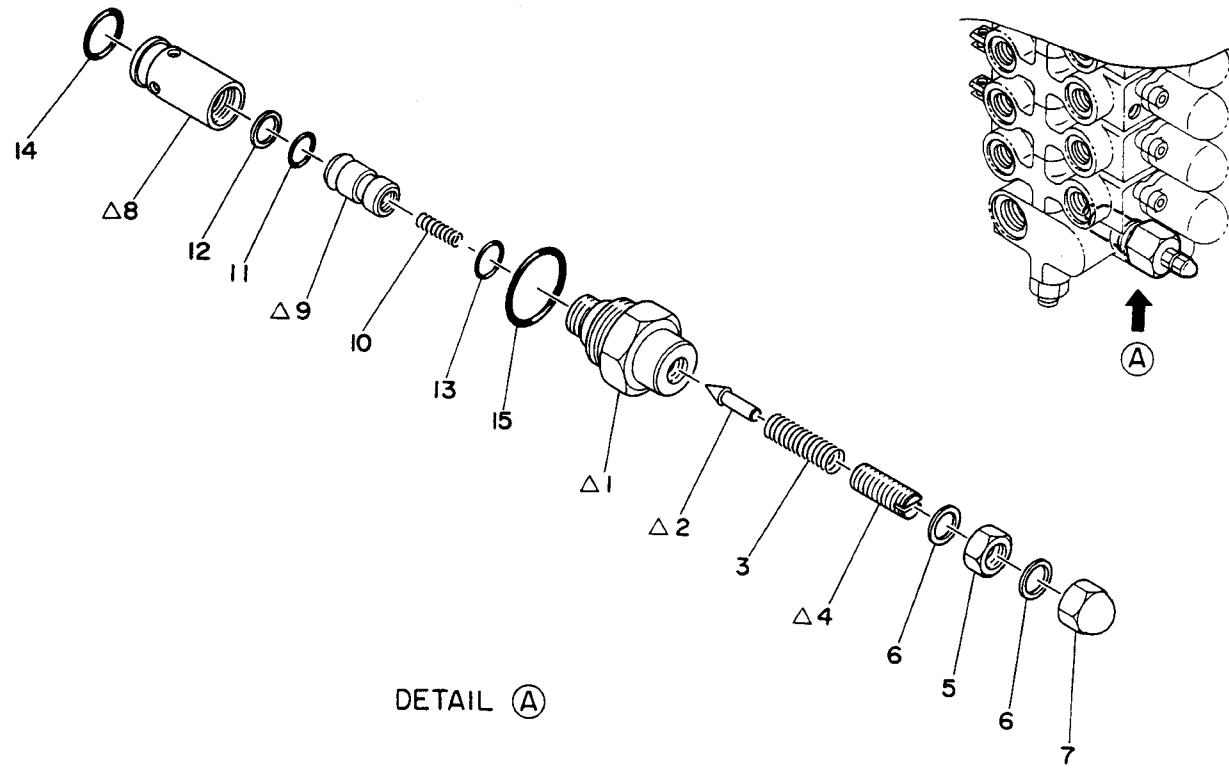


Fig. HP2 RELIEF VALVE ASS'Y (RT-15C)

KEY No.	PARTS No.	PARTS NAME	Q t y	M A R K	SERIAL No.	NOTE	KEY No.	PARTS No.	PARTS NAME	Q t y	M A R K	SERIAL No.	NOTE
1~15	6014 93000	Relief valve Ass'y	1			RT-15C							
1	☆	Cap	1	△									
2	☆	Valve-pilot	1	△									
3	6014 87060	Spring-pilot	1										
4	☆	Screw-adjusting	1	△									
5	6014 93060	Nut	1										
6	6013 07070	Washer-seal	2										
7	6041 93051	Nut-cap	1										
8	☆	Seat-valve	1	△									
9	☆	Valve-main	1	△									
10	6014 93040	Spring-main	1										
11	7311 73012	Ring- "O"	1										
12	7321 23012	Ring-back up	1										
13	7311 74512	Ring- "O"	1										
14	7311 91015	Ring- "O"	1										
15	7311 71024	Ring- "O"	1										

Q.....New and old parts are interchangeable. ✕.....New and old parts are not interchangeable. △.....Part not for sale. D.....Disuse. Q.....Quantity

Fig. HP3 EXTENSION CYLINDER HOLDING VALVE ASS'Y (CB-03ET)

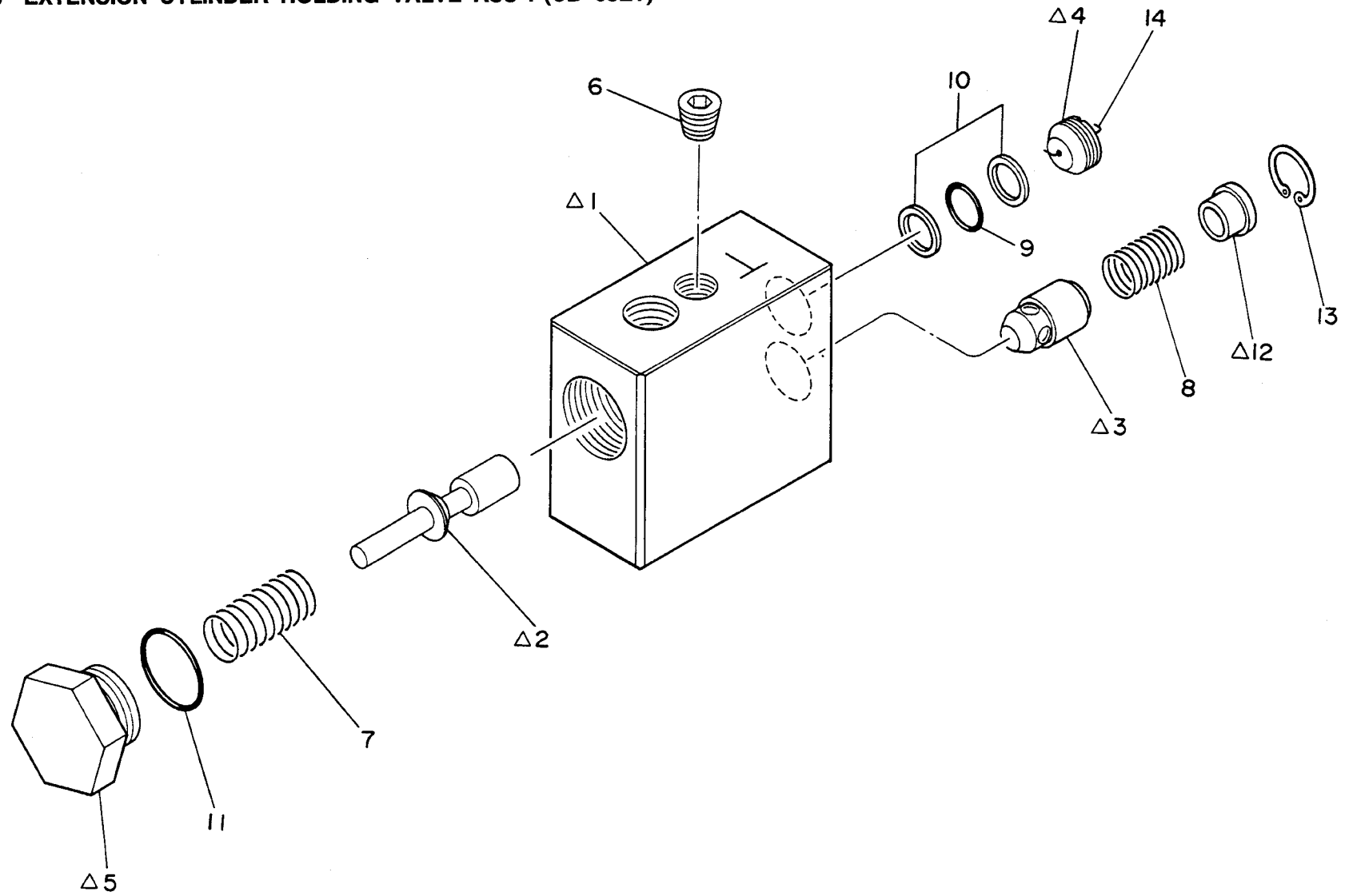


Fig. HP3 EXTENSION CYLINDER HOLDING VALVE ASS'Y (CB-03ET)

KEY No.	PARTS No.	PARTS NAME	Q t y	M A R K	SERIAL No.	NOTE	KEY No.	PARTS No.	PARTS NAME	Q t y	M A R K	SERIAL No.	NOTE
1~14	6014 73000	Extension cylinder holding valve Ass'y	1	set		CB-03ET							
1	☆	Body	1	△									
2	☆	Spool	1	△									
3	☆	Check valve	1	△									
4	☆	Orifice	1	△									
5	☆	Plug	1	△									
6	7287 20200	Plug	1										
7	6014 73050	Spring (1)	1										
8	6011 93070	Spring (2)	1										
9	7311 71012	Ring- "O"	1										
10	7321 21012	Ring-back up	2										
11	7311 91020	Ring- "O"	1										
12	☆	Seat-spring	1	△									
13	7241 20160	Ring-snap	1										
14	6014 73060	Wire	1										

Q.....New and old parts are interchangeable. X.....New and old parts are not interchangeable. △.....Part not for sale. D.....Disuse. Q.....Quantity

Fig. HP4 BOOM LIFT CYLINDER HOLDING VALVE ASS'Y (CB-03ED)

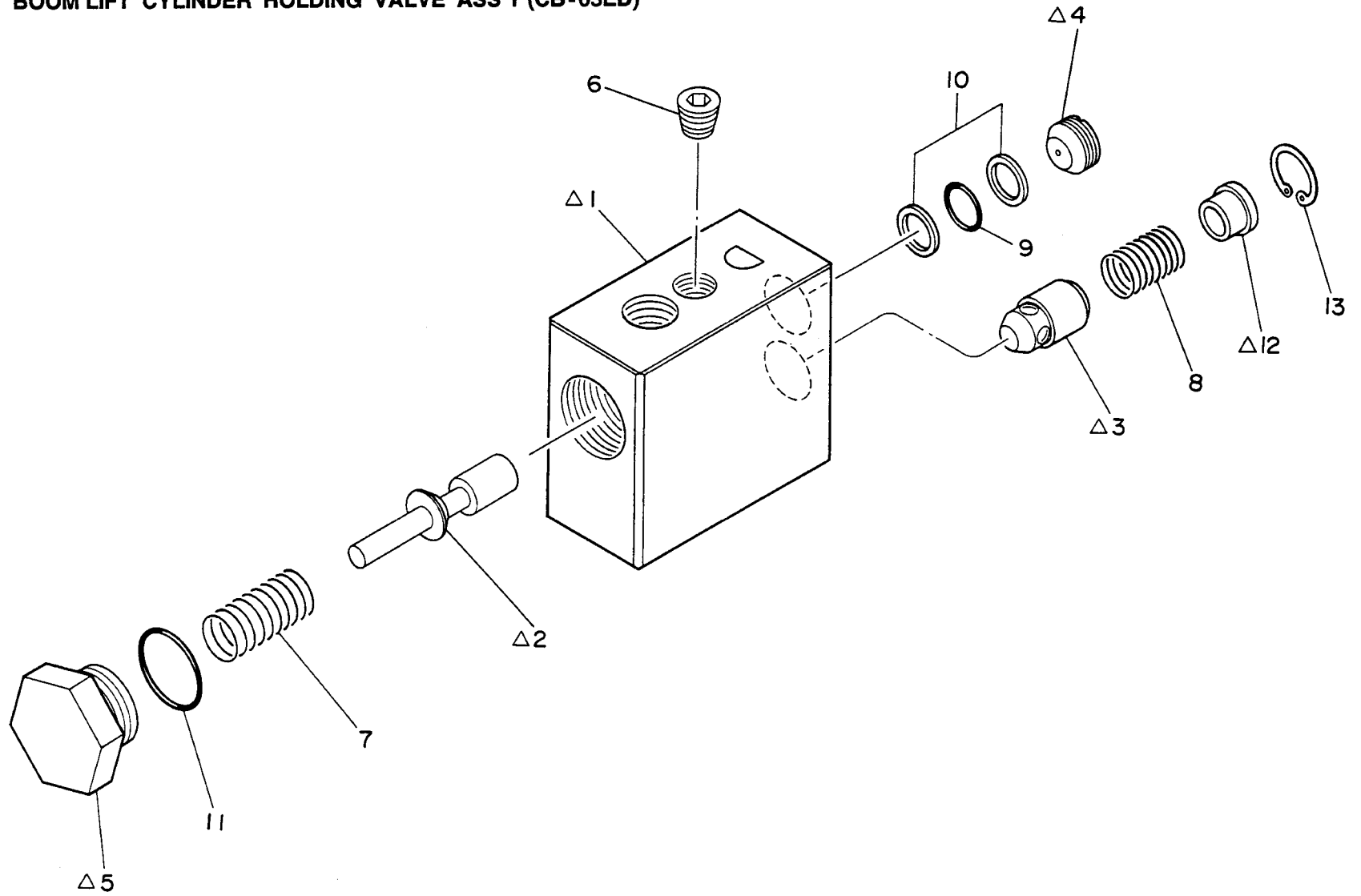


Fig. HP4 BOOM LIFT CYLINDER HOLDING VALVE ASS'Y (CB-03ED)

KEY No.	PARTS No.	PARTS NAME	Q t y	M A R K	SERIAL No.	NOTE	KEY No.	PARTS No.	PARTS NAME	Q t y	M A R K	SERIAL No.	NOTE
1~13	6014 74000	Boom, lift cylinder holding valve Ass'y	1	set		CB-03ED							
1	☆	Body	1	△									
2	☆	Spool	1	△									
3	☆	Check valve	1	△									
4	☆	Orifice	1	△									
5	☆	Plug	1	△									
6	7287 20200	Plug	1										
7	6014 73050	Spring (1)	1										
8	6011 93070	Spring (2)	1										
9	7311 71012	Ring-"O"	1										
10	7321 21012	Ring-back up	2										
11	7311 91020	Ring-"O"	1										
12	☆	Seat-spring	1	△									
13	7241 20160	Ring-snap	1										

Q.....New and old parts are interchangeable. X.....New and old parts are not interchangeable. △.....Part not for sale. D.....Disuse. Q.....Quantity

Fig. HP5 RETURN FILTER ASS'Y

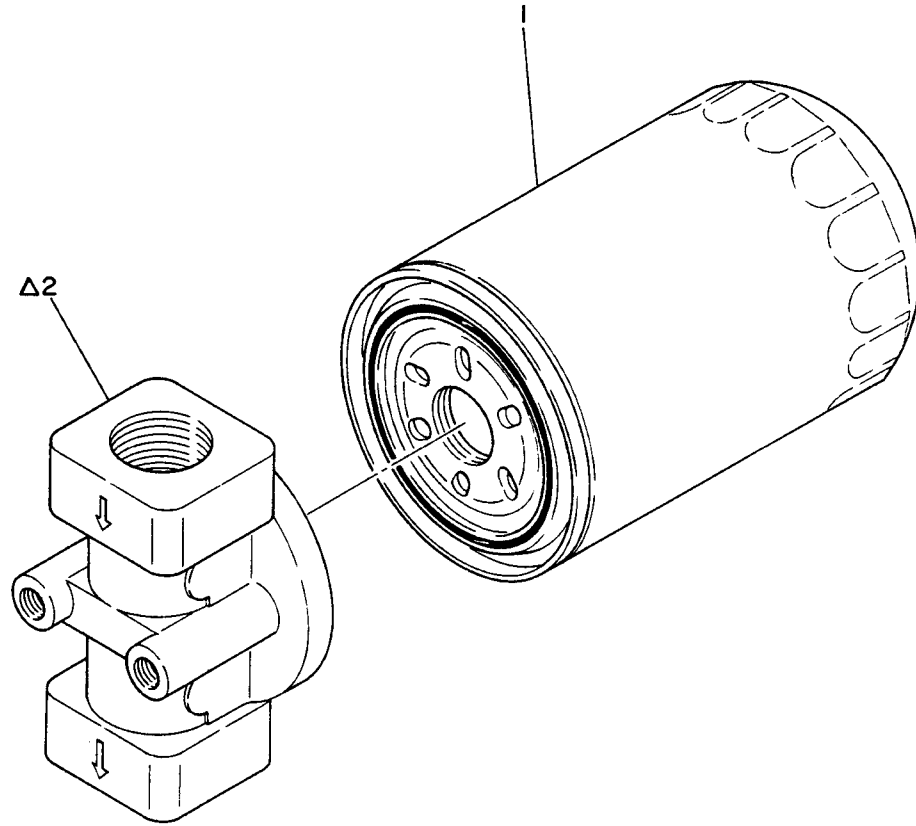


Fig. HP5 RETURN FILTER ASS'Y

KEY No.	PARTS No.	PARTS NAME	Q t y	M A R K	SERIAL No.	NOTE	KEY No.	PARTS No.	PARTS NAME	Q t y	M A R K	SERIAL No.	NOTE
1~2	7405 80600	Return filter Ass'y	1 set										
1	7405 80010	Filter-cartridge	1										
2	☆	Head	1	△									

Q.....New and old parts are interchangeable. ~~Q~~.....New and old parts are not interchangeable. △.....Part not for sale. D.....Disuse. Q.....Quantity

Fig. HP6 OUTRIGGER CYLINDER HOLDING VALVE ASS'Y (CP-03F)

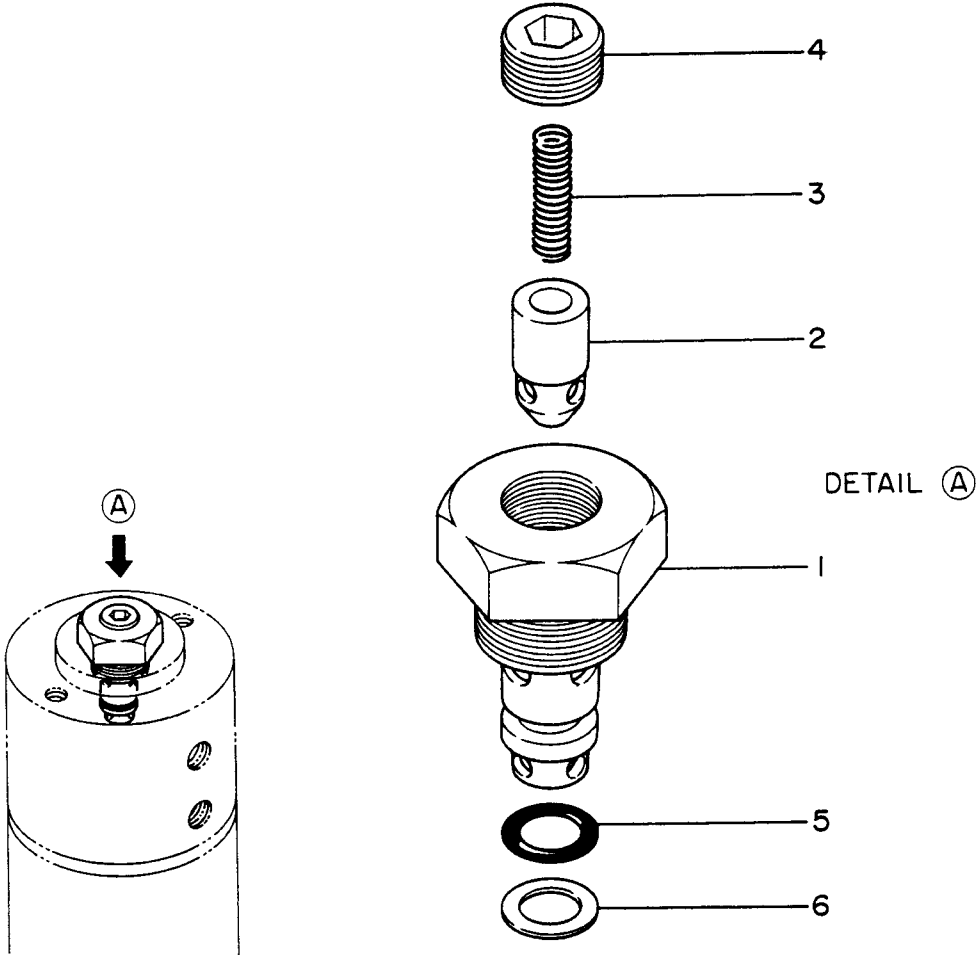


Fig. HP6 OUTRIGGER CYLINDER HOLDING VALVE ASS'Y (CP-03F)

KEY No.	PARTS No.	PARTS NAME	Q · t y	M A R K	SERIAL No.	NOTE	KEY No.	PARTS No.	PARTS NAME	Q · t y	M A R K	SERIAL No.	NOTE
1~6	6016 81000	Outrigger cylinder holding valve Ass'y	1 set			CP-03F							
1	☆	Seat-valve	1	△									
2	☆	Valve-check	1	△									
3	6013 09040	Spring	1										
4	7287 20300	Plug	1										
5	7311 71011	Ring-"O"	1										
6	7321 21011	Ring-back up	1										

Q.....New and old parts are interchangeable. ✖.....New and old parts are not interchangeable. △.....Part not for sale. D.....Disuse. Q.....Quantity

Fig. HP7 PILOT CHECK VALVE ASS'Y (CP-03W)

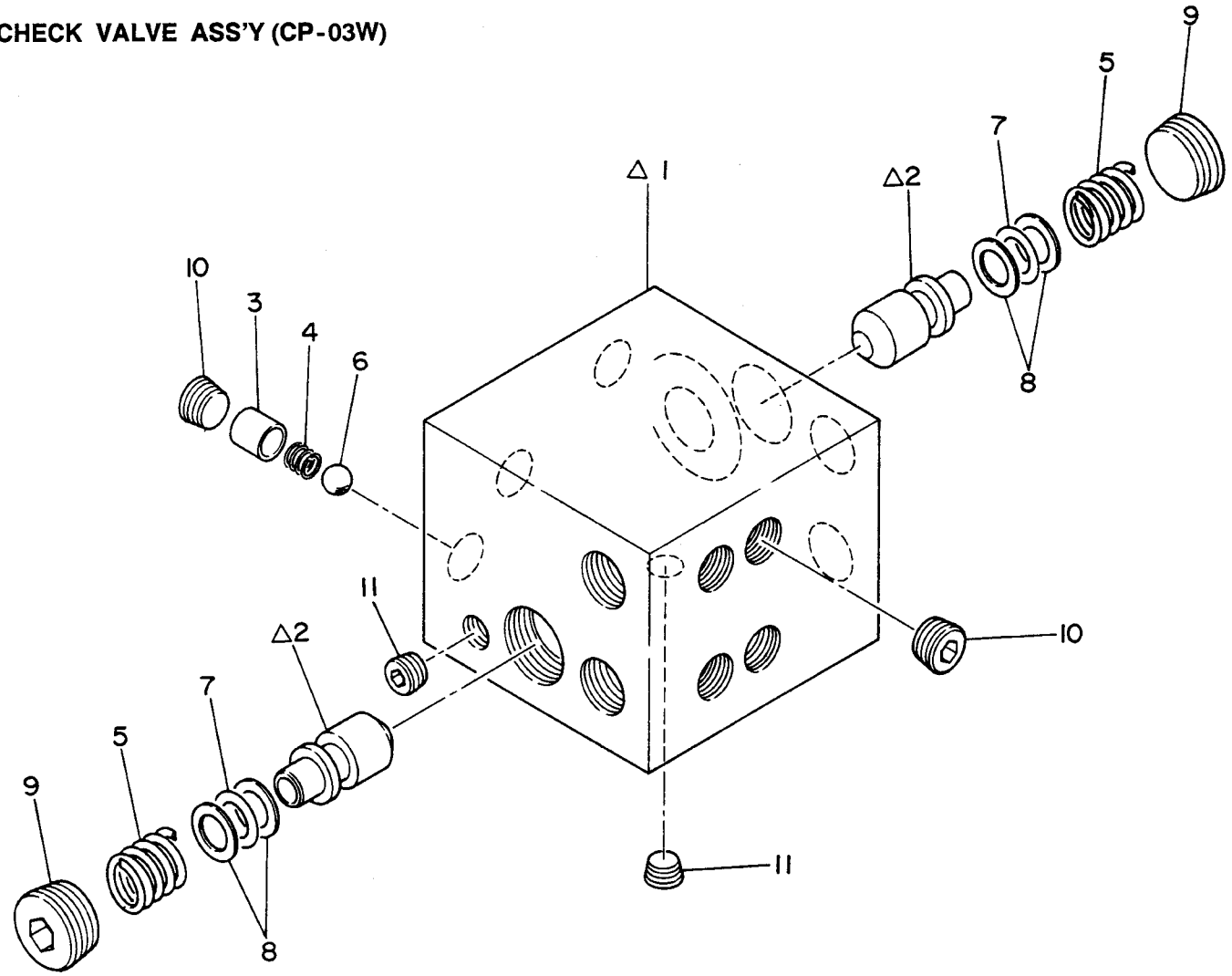


Fig. HP7 PILOT CHECK VALVE ASS'Y (CP-03W)

KEY No.	PARTS No.	PARTS NAME	Q t y	M A R K	SERIAL No.	NOTE	KEY No.	PARTS No.	PARTS NAME	Q t y	M A R K	SERIAL No.	NOTE
1~11	6017 02000	Pilot check valve Ass'y	1 set			CP-03W							
1	☆	Valve body	1	△									
2	☆	Valve-check	2	△									
3	6011 78030	Seat-spring	2										
4	6017 02030	Spring	2										
5	6017 02050	Spring (2)	2										
6	7600 00978	Ball-steel	2										
7	7311 71012	Ring-"O"	2										
8	7321 21012	Ring-back up	4										
9	7287 20400	Plug	2										
10	7287 20200	Plug	6										
11	7287 20100	Plug	2										

Q.....New and old parts are interchangeable. X.....New and old parts are not interchangeable. △.....Part not for sale. D.....Disuse. Q.....Quantity

FURUKAWA UNIC Corporation