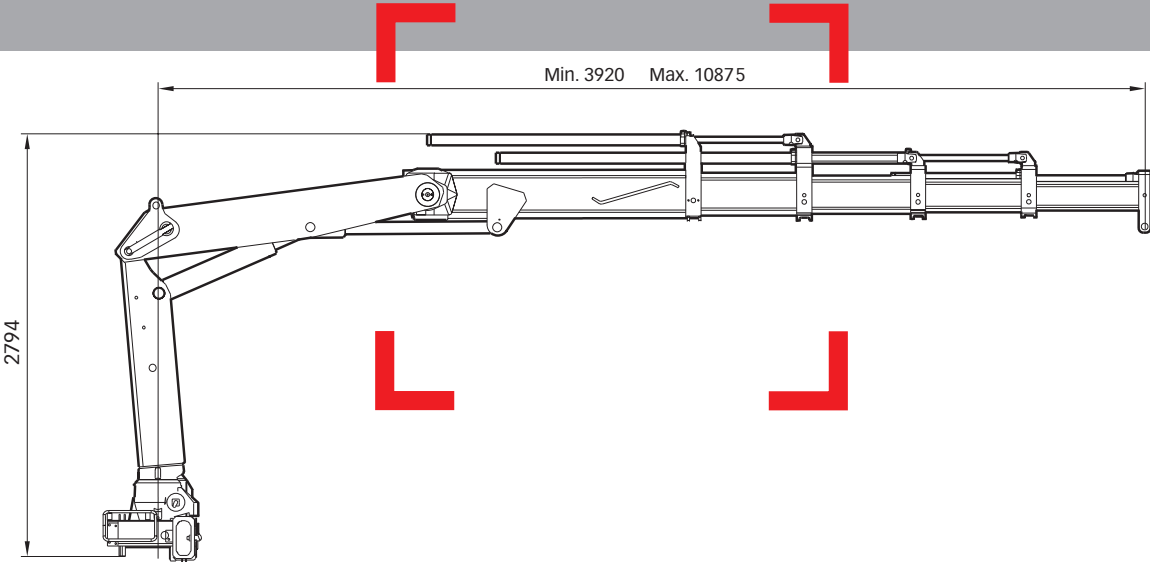


HIAB 095 Capacity 10 tm



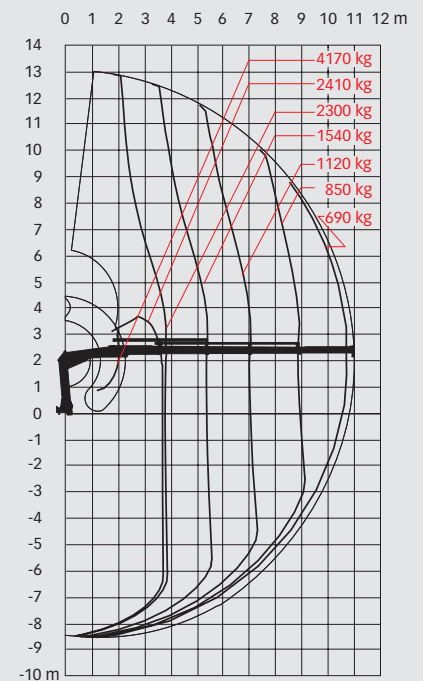
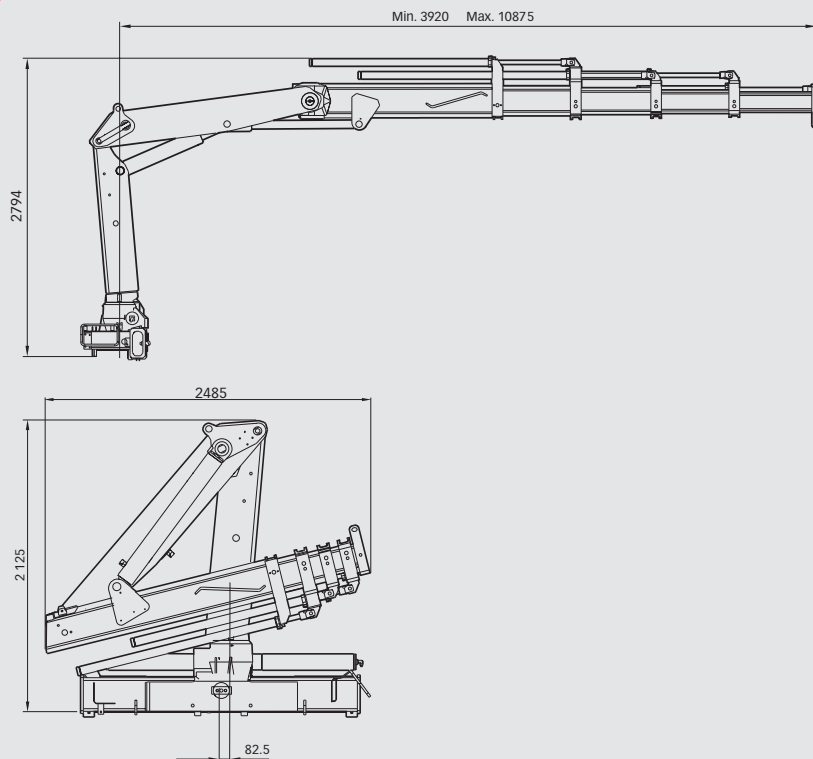
Basic data

HIAB 095 Basic data

Technical data

	095-1	095-2	095-3	095-4
Max. lifting capacity (kNm)	94.6	91.8	88.9	85.3
Outreach - hydraulic extensions (m)	5.3	7.1	9.1	10.9
Outreach - manual extensions (m)	8.8	11.1	11.0	12.9
Outreach / lifting capacity (m / kg)	2.1 / 4440	2.1 / 4300	2.1 / 4200	2.0 / 4170
	3.2 / 2950	3.3 / 2750	3.1 / 2700	3.5 / 2410
	3.5 / 2800	3.6 / 2570	3.7 / 2430	3.8 / 2300
	5.2 / 1860	5.3 / 1740	5.4 / 1620	5.3 / 1540
	-	7.0 / 1300	7.1 / 1190	7.0 / 1120
	-	-	9.0 / 930	8.8 / 850
	-	-	-	10.7 / 690
Slewing angle	400°	400°	400°	400°
Height in folded position (mm)	2125	2125	2125	2125
Width in folded position (mm)	2485	2485	2485	2485
Installation space needed (mm)	650	695	695	695
Weight - "standard" crane without stabilizers (kg)	1080	1190	1290	1380
Weight - stabilizer equipment (kg)	125 - 200	125 - 200	125 - 200	125 - 200

HIAB 095-4



Disclaimer

Hiab cranes has been built to meet the highest standards of safety and service life and has been thoroughly tested. Strength calculations for this model have been carried out in accordance with DIN 15018. Hiab's certified Quality Assurance System complies with the ISO 9001. Some of the items in our literature may be extra equipment. Certain applications may require an official permit. We reserve the right to change technical specifications without prior notice. Hiab cranes produced for EU-countries are CE-marked and comply with the European Standard EN 12999.