

JLG® TELEHANDLERS



JLG Industries, Inc.
1 JLG Drive
McConnellsburg, PA 17233-9533
Telephone 717-485-5161
Toll-free in US 877-JLG-LIFT
Fax 717-485-6417
www.jlg.com
An Oshkosh Corporation Company

Form No.: JLG-TEL-BRO-1108
Part No.: 3131573
Printed in USA



Power and Productivity Unleashed.

Your productivity is on the line the minute you climb into the telehandler cab. The line up of JLG® all-wheel and rear pivot steer telehandlers gives you all the power, reliability and maneuverability you've come to expect from a world-leading equipment manufacturer. With capacities from 6,600 to 12,000 lb and heights up to 55 ft, you can handle any job site challenge with these pick and place telehandlers. From commercial and residential construction to steel work and framing, JLG telehandlers can get you around crowded work areas to get the job done.



Single joystick controls provide easier boom positioning while a wide variety of attachments help you jump into new lifting challenges in seconds. Think of your JLG telehandler as a productivity tool with the ability to bring the impossible within reach. Backed by the industry's best service, parts and support. So your productivity is always at its peak. Job after job.

Your day won't seem so tough or your loads so heavy—if you let the power of JLG do the heavy lifting.





Model G6-42A

With all-wheel steer maneuverability, a powerful side-mounted engine, and a spacious cab with wrap-around dash, it's easy to see how the JLG model G6-42A telehandler will help boost your productivity. Move quickly and efficiently around job sites with up to 6,600 lb loads of block, brick and other materials.
Max. Capacity: 6,600 lb (2,994 kg)
Max. Lift: 42 ft (12.8 m)



Model G9-43A

The JLG model G9-43A telehandler delivers the capacity to lift, move and place up to 9,000 lb of materials including lumber, blocks and trusses. A larger cab allows better visibility while all-wheel steering provides improved access and maneuverability on tight job sites.
Max. Capacity: 9,000 lb (4,082 kg)
Max. Lift: 43 ft (13.11 m)



Model G10-55A

The JLG model G10-55A telehandler offers 55 ft of lift height for placing loads higher than most other telehandlers can go. And with 10,000 lb capacity, a spacious operator cab, all-wheel steering and Quick-Switch® attachments, you've got a powerful productivity tool on any job site.
Max. Capacity: 10,000 lb (4,536 kg)
Max. Lift: 55 ft (16.76 m)



Model G12-55A

Our biggest and strongest yet, the JLG model G12-55A telehandler features 12,000 lb capacity and lift height of 55 ft, making it ideal for heavier applications like bridge construction, shoring, crib work and steel work.
Max. Capacity: 12,000 lb (5,443 kg)
Max. Lift: 55 ft (16.76 m)



Versatile Attachments

Choose from a wide range of attachments to keep productivity high, such as swing carriages, grapple buckets and fork-mounted work platforms.

Ultra-Strong Boom

Lift higher and farther with more confidence with a boom strong enough to handle heavy application work.

Large Cab

With a wide cab, adjustable seating and 360-degree visibility, you'll be placing loads in greater comfort.

Side-Mounted Engine

Combined with a high boom pivot and large cab, you've got better visibility.

Single Joystick

Control boom lift and telescope for more precise positioning.

Powershift Transmission

Four speeds forward and three reverse speeds provide efficient control while traveling around the job site.

Three Steering Modes

Front wheel, all-wheel and crab steer improve maneuverability around the job site.



Model G6-42P

With up to 6,600 lb capacity, the JLG model G6-42P lets you place loads with precision up to 42 ft high. The 90° rear pivot steering gets you into crowded work areas while a side-mounted engine provides good job site visibility.

Max. Capacity: 6,600 lb (2,994 kg)

Max. Lift: 42 ft (12.8 m)



Model 534D9-45

The JLG model 534D9-45 telehandler delivers the capacity to lift, move and place up to 9,000 lb of materials. A no-shift hydrostatic drivetrain provides precision handling while its rugged design makes it strong and reliable.

Max. Capacity: 9,000 lb (4,082 kg)

Max. Lift: 45 ft (13.7 m)



Model 534D10-45

The JLG model 534D10-45 telehandler offers 45 ft of lift height, 10,000 lb capacity, a spacious operator cab and Quick-Switch® attachments. Climb in and you've got a powerful productivity tool on any job site.

Max. Capacity: 10,000 lb (4,536 kg)

Max. Lift: 45 ft (13.7 m)



Model 544D10-55

The JLG model 544D10-55 telehandler features 10,000 lb capacity and lift height of 55 ft, plus a full range of attachments for versatility in handling job site challenges. The cab is designed for enhanced productivity and performance.

Max. Capacity: 10,000 lb (4,536 kg)

Max. Lift: 55 ft (16.76 m)



Ultra Strong Boom

Lift higher and farther with more confidence with a boom strong enough to handle heavy application work.

Versatile Attachments

Choose from a wide range of attachments to keep productivity high—standard carriages to truss booms to material buckets.

Spacious Cab

A large cab provides improved visibility and comfort for the operator.

Hydrostatic Transmission

No shifting required to traverse varying terrain—from mud and gravel to asphalt.

Rear Pivot Steering

90° steering for optimal maneuverability around the tightest job sites.

Engine

Higher horsepower handles rough environments with ease.



Reach New Levels of Control and Comfort.

Your job becomes easier when you have a clear view of the job site. The engine position, high boom pivot and centered cab make for better visibility. While cab-mounted controls, a wrap-around dashboard and easy-to-read gauges let you know exactly what you're doing and where you need to be.

Designed with the operator in mind, the spacious cab with suspension seat allows the operator to work in comfort.



Corner the Job Site.

JLG rear pivot steer telehandlers go where other telehandlers simply can't. Turn sharp corners, move down narrow aisles and square lumber and block in tight landing areas with greater speed and accuracy. Thanks to 90° rear pivot steering, these telehandlers can maneuver and turn sharply, allowing you to move and place loads with precision. When you're on a crowded job site and need a high-performance machine, JLG rear pivot steer telehandlers turn up your productivity.



Let JLG Do the Heavy Lifting.

A dominant presence on the job site, these telehandlers live up to their tough reputation. Choose from eight full-size models with capacities ranging from 6,600 to 12,000 lb and reach heights up to 55 ft. Lift, move and place materials like lumber, block and trusses with confidence. Larger models, like the G12-55A, are ideal for heavier applications like bridge construction, oil refineries and steel work.

Standard four-wheel drive allows you to navigate rough terrain. Rear pivot steer machines feature a hydrostatic transmission which eliminates the need to change gears; while the 4-wheel steer machines offer a powershift transmission for end-users who prefer more direct interaction.



All Access for All Terrain.

JLG rear pivot steer telehandlers let you conquer the job site and work around obstacles, thanks to 90° steering and a hydrostatic transmission. The engine position provides balanced weight distribution, letting you drive over mud, gravel or asphalt with greater ease and no shifting. With up to 20.8 inches of ground clearance, you've got more room to travel over debris. A long wheelbase provides low center of gravity and improved stability. A tight turning radius makes navigating less challenging. So you can maneuver your way to the most productive day possible.

MATERIAL DELIVERY

Travel around the job site faster and get to more tasks. With faster boom speeds, you can place loads quicker and more precisely, providing other workers with needed materials on demand and increasing overall productivity.

Test-Driven. Job Site Proven.

Our commitment to engineering and testing means that our telehandlers provide you with high performance when you need it most.

Our modern test facility is designed to provide the most realistic construction environment possible. Advanced reach and load placement technologies are tested and refined to improve capacity, boom speed and accuracy.

Steering and drive performance are tested on the limestone steering course and in fording our mud pit. Durability and extended driving are tested using our crosstie, pothole and high speed roading courses. Our engineers and technicians conduct these tests, and more, so they understand what you're experiencing on the job site.



Reach New Levels of Productivity.

The AccuPlace™ system from JLG helps keep your productivity firing on all cylinders. Available on models G10-55A and G12-55A, the AccuPlace System with Ride Control uses hydraulic technology for more precise load placement and a smoother ride when navigating the job site. The best part is that it's easy to use—activate AccuPlace with the push of a button!

MATERIAL DELIVERY

Travel around the job site faster and get to more tasks. With 12% faster boom speeds, you can place loads quicker and more precisely, providing other workers with needed materials on demand and increasing overall productivity.

LOAD PLACEMENT

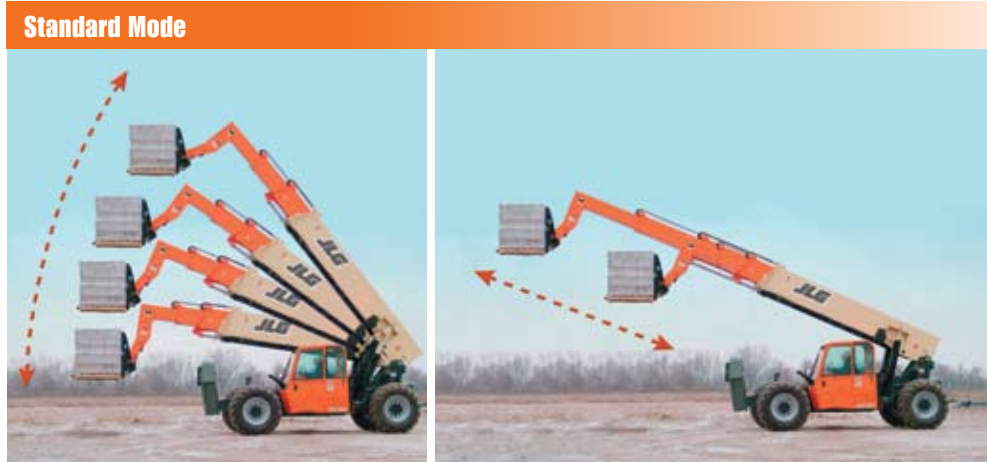
The linear motion of the boom takes the guesswork out of landing loads at height. The load can be placed more easily, more precisely and with fewer adjustments, so you spend less time moving the load and more time getting to the ones waiting for you.

REDUCTION IN HYDRAULIC COMPONENTS

With leak points reduced by 27%, your equipment spends more time on the job than in the shop. Plus, by eliminating potential problem areas, owner expenses associated with service calls, job site clean up and maintenance are reduced.



When AccuPlace is activated, the boom moves in a linear motion for more precise load placement—making work easier and faster for any trained operator.



In standard mode, the operator relies heavily on his own skill to accurately place loads.

AccuPlace Advantages

- 12% faster boom speeds allow operator to pick and place loads faster
- Leak points reduced by 27%
- Ride control feature keeps loads more stable while traversing the job site
- 25% increase in hydraulic flow, resulting in better attachment performance
- JLG analyzer troubleshoots issues

SMOOTHER CONTROLS

Improved controls and a single joystick require less movement to pick or place a load. And with a steadier load during travel, you can work with greater confidence and comfort.

Putting Your Work Above Everything.

When it comes to JLG® Ground Support, it's all about you. Your productivity. Your profitability. Your uptime. From the purchase of your first piece of equipment straight through to the training, parts and maintenance that follows.



Customer Service Call Center

You can be assured we'll be giving an all-out effort to support you. Just think of us as your personal on-call, full-service support team. We make it happen. Period.



Financial Solutions

Maximizing your profits. Preserving your cash flow. Let our financing specialists help choose the program designed specifically for your needs.

Aftermarket Parts

Keep your equipment running at peak performance with genuine replacement parts, accessories, attachments, rebuilt and competitive parts all from one source—JLG.



Training

Knowing your equipment inside and out results in higher productivity on the job. Our instructor-led courses give you the hands-on time you need for success.

Service Centers

Your needs. Your uptime. JLG is on the job to fulfill your every need, from repair, reconditioning, same-day parts and much more. We're here to support you.





Enclosed Cab



Pintle Hook



Foam-Filled Tires



Fenders



Rock Tires



Brick Guard



Solid Tires



Road Lights



Air Conditioning



Work Lights



AccuPlace™ with Ride Control



Rotating Beacon



Standard Carriage

Forks that are fully floating and adjustable side-to-side for efficient load entry and exit.



Material Bucket

Clean up the job site, spread gravel or for loading and leveling.



Side-Tilt Carriage

Allows for minor lateral positioning of the load during final placement.



Grapple Bucket

Features a hydraulic grapple arm to assist in job site cleanup.



Swing Carriage

Allows for greater versatility in moving and placing materials in confined areas or when exact positioning is required.



Truss Boom

Allows operator to set trusses and wall sections for wood and steel building construction. Available with or without winch.



Sheet Material Adapter

Avoid sheet material damage and speed up unloading and placement through doors and windows.



Fork-Mounted Work Platform

Extend the capabilities of your telehandler and get more work done by lifting material and persons to working heights.



Tower

The tower increases lift height by eight feet.



Lifting Hook

Add versatility to any standard carriage by lifting and lowering objects without changing attachments.



Pallet Forks

Rugged design makes it easier to handle heavy palletized material.



Cubing Forks

Allows operator to load, unload and place cubes of brick and block with ease.



Lumber Forks

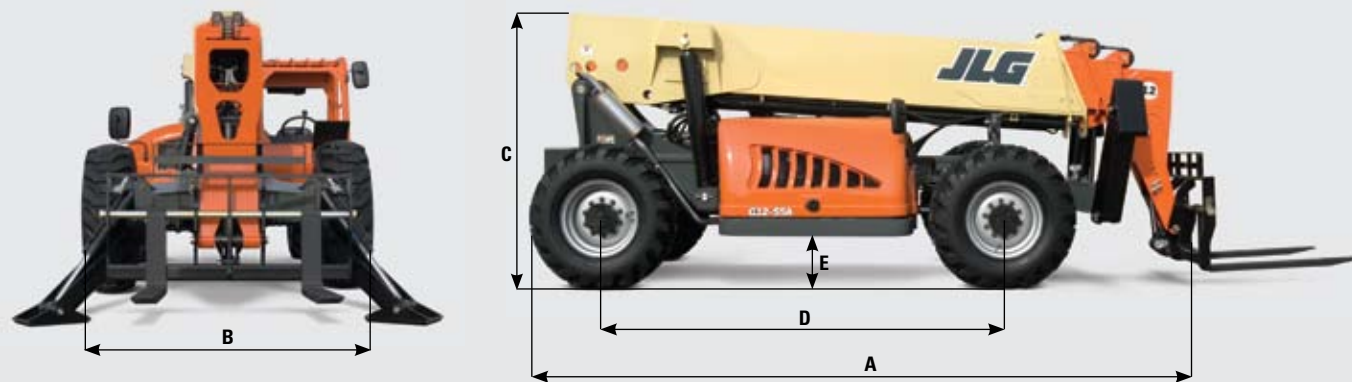
Wider width provides a larger surface area for stability when transporting longer material.

NOTE: Not all options and attachments may be available for all models. Photographs are representative of attachments and options. JLG reserves the right to make modifications without prior notification.

JLG® Telehandlers
FOUR WHEEL STEER SPECIFICATIONS

	G6-42A	G9-43A	G10-55A	G12-55A
Rated Capacity @ 24 in. (610 mm) Load Center	6,600 lb (2,994 kg)	9,000 lb (4,082 kg)	10,000 lb (4,536 kg)	12,000 lb (5,443 kg)
Maximum Lift Height	42 ft (12.8 m)	43 ft (13.11 m)	55 ft (16.76 m)	55 ft (16.76 m)
Capacity @ Maximum Lift Height	6,600 lb (2,994 kg)	7,000 lb (3,175 kg)	*5,000 lb (2,268 kg)	*5,000 lb (2,268 kg)
Maximum Reach	28.9 ft (8.8 m)	30 ft 6 in. (9.3 m)	42 ft (12.8 m)	42 ft (12.8 m)
Capacity @ Maximum Reach	1,000 lb (454 kg)	1,500 lb (680 kg)	*3,000 lb (1,361 kg)	*3,500 lb (1,588 kg)
Approximate Operating Weight	20,400 lb (9,253 kg)	25,907 lb (11,751 kg)	34,400 lb (15,604 kg)	35,100 lb (15,921 kg)
A. Length (Less Forks)	219.1 in. (5.6 m)	237 in. (6.02 m)	240 in. (6.1 m)	243.8 in. (6.2 m)
B. Width	95.5 in. (2.43 m)	95.3 in. (2.42 m)	101 in. (2.57 m)	102 in. (2.59 m)
C. Height	94 in. (2.39 m)	95.5 in. (2.43 m)	101 in. (2.57 m)	101 in. (2.57 m)
D. Wheelbase	128 in. (3.25 m)	132 in. (3.35 m)	144 in. (3.66 m)	144 in. (3.66 m)
E. Ground Clearance	16.4 in. (417 mm)	19 in. (483 mm)	18 in. (457 mm)	18 in. (457 mm)
Outside Turning Radius	144 in. (3.66 m)	144 in. (3.66 m)	168 in. (4.27 m)	168 in. (4.27 m)
Drive	4 x 4	4 x 4	4 x 4	4 x 4
Engine	John Deere 4045T	John Deere 4045T	Perkins 1104D	Perkins 1104D
HP and RPM	99 hp @ 2,500 rpm	99 hp @ 2,500 rpm	125 hp @ 2,400 rpm	140 hp @ 2,400 rpm
Transmission	Powershift	Powershift	Powershift	Powershift
Steering	All-Wheel	All-Wheel	All-Wheel	All-Wheel
Tires	13.00 x 24—12PR, G2 type	13.00 x 24—12PR, G2 type	14.00 x 24—12PR, G2 type	17.50 x 25—12PR, G2 type
Maximum Travel Speed	19.5 mph (31.4 kmph)	19.5 mph (31.4 kmph)	20 mph (32 kmph)	20 mph (32 kmph)
Frame Tilt Left/Right	±10 Degrees	±10 Degrees	±10 Degrees	±10 Degrees

*Outriggers are required to achieve stated capacity.



For complete specifications, visit www.jlg.com

Due to continuous product improvements, JLG Industries reserves the right to make specification and/or equipment changes without prior notification. These machines meet or exceed ANSI/ITSDF B56.6-2005 as originally manufactured for intended applications.

JLG® Telehandlers
REAR PIVOT STEER SPECIFICATIONS

	G6-42P	534D9-45	534D10-45	544D10-55
Rated Capacity @ 24" Load Center	6,600 lb (2,994 kg)	9,000 lb (4,082 kg)	10,000 lb (4,536 kg)	10,000 lb (4,536 kg)
Maximum Lift Height	42 ft (12.8 m)	45 ft (13.72 m)	45 ft (13.72 m)	55 ft (16.76 m)
Capacity @ Maximum Lift Height	6,000 lb (2,722 kg)	7,000 lb (3,175 kg)	7,000 lb (3,175 kg)	*5,000 lb (2,268 kg)
Maximum Reach	28.9 ft (8.8 m)	31.7 ft (9.7 m)	31.7 ft (9.7 m)	42.5 ft (13.0 m)
Capacity @ Maximum Reach	1,300 lb (590 kg)	1,600 lb (726 kg)	*3,000 lb (1,361 kg)	*3,000 lb (1,361 kg)
Approximate Operating Weight	23,470 lb (10,646 kg)	24,420 lb (11,077 kg)	25,300 lb (11,476 kg)	33,570 lb (15,227 kg)
A. Length (Less Forks)	219.1 in. (5.6 m)	233.6 in. (6.0 m)	235.5 in. (6.0 m)	238.2 in. (6.1 m)
B. Width	96 in. (2.44 m)	97 in. (2.46 m)	98.8 in. (2.51 m)	98.8 in. (2.51 m)
C. Height	94 in. (2.39 m)	94 in. (2.39 m)	93 in. (2.36 m)	98 in. (2.49 m)
D. Wheelbase	130 in. (3.3 m)	135 in. (3.43 m)	135 in. (3.43 m)	135 in. (3.43 m)
E. Ground Clearance	17.75 in. (45.1 cm)	19 in. (48.3 cm)	19.3 in. (49.0 cm)	20.8 in. (52.8 cm)
Outside Turning Radius	171 in. (4.34 m)	173 in. (4.39 m)	175 in. (4.45 m)	175 in. (4.45 m)
Drive	4 x 4	4 x 4	4 x 4	4 x 4
Engine	John Deere 4045T	Cummins QSB4.5	Cummins QSB4.5	Cummins QSB4.5
HP @ RPM	99 hp @ 2,500 rpm	110 hp @ 2,500 rpm	110 hp @ 2,500 rpm	130 hp @ 2,500 rpm
Transmission	Hydrostatic	Hydrostatic	Hydrostatic	Hydrostatic
Steering	90° Rear-Pivot	90° Rear-Pivot	90° Rear-Pivot	90° Rear-Pivot
Tires	13.00 x 24—12PR, G2 type	13.00 x 24—12PR, G2 type	14.00 x 24—12PR, G2 type	14.00 x 24—12PR, G2 type
Maximum Travel Speed	16 mph (25.8 kmph)	18 mph (29 kmph)	19 mph (30.6 kmph)	19 mph (30.6 kmph)
Frame Tilt Left/Right	±8 Degrees	±8 Degrees	±8 Degrees	±8 Degrees

*Outriggers are required to achieve stated capacity.

