
Manual # 99904128

3.2/23 Parts

Revision Date 20080505



IOWA MOLD TOOLING CO., INC.

PO Box 189

Garner, IA 50438

Tel: 641-923-3711 FAX: 641-923-2424

Website: <http://www.imt.com>

Copyright © 2008 Iowa Mold Tooling Co., Inc.
All rights reserved

No part of this publication may be reproduced, stored in a retrieval system, or transmitted in any form or by any means, electronic, mechanical, photocopying, recording or otherwise without the prior written permission of Iowa Mold Tooling Co., Inc.

Iowa Mold Tooling Co., Inc. is an Oshkosh Corporation company.

Revisions

DATE	LOCATION	DESCRIPTION
20070207	95720920	Added 95720920 decal kit to manual.
20080505□	95720763□	ECN 10759 - Changed item #8 to 70391583

Spare Parts Catalog
3.2/23

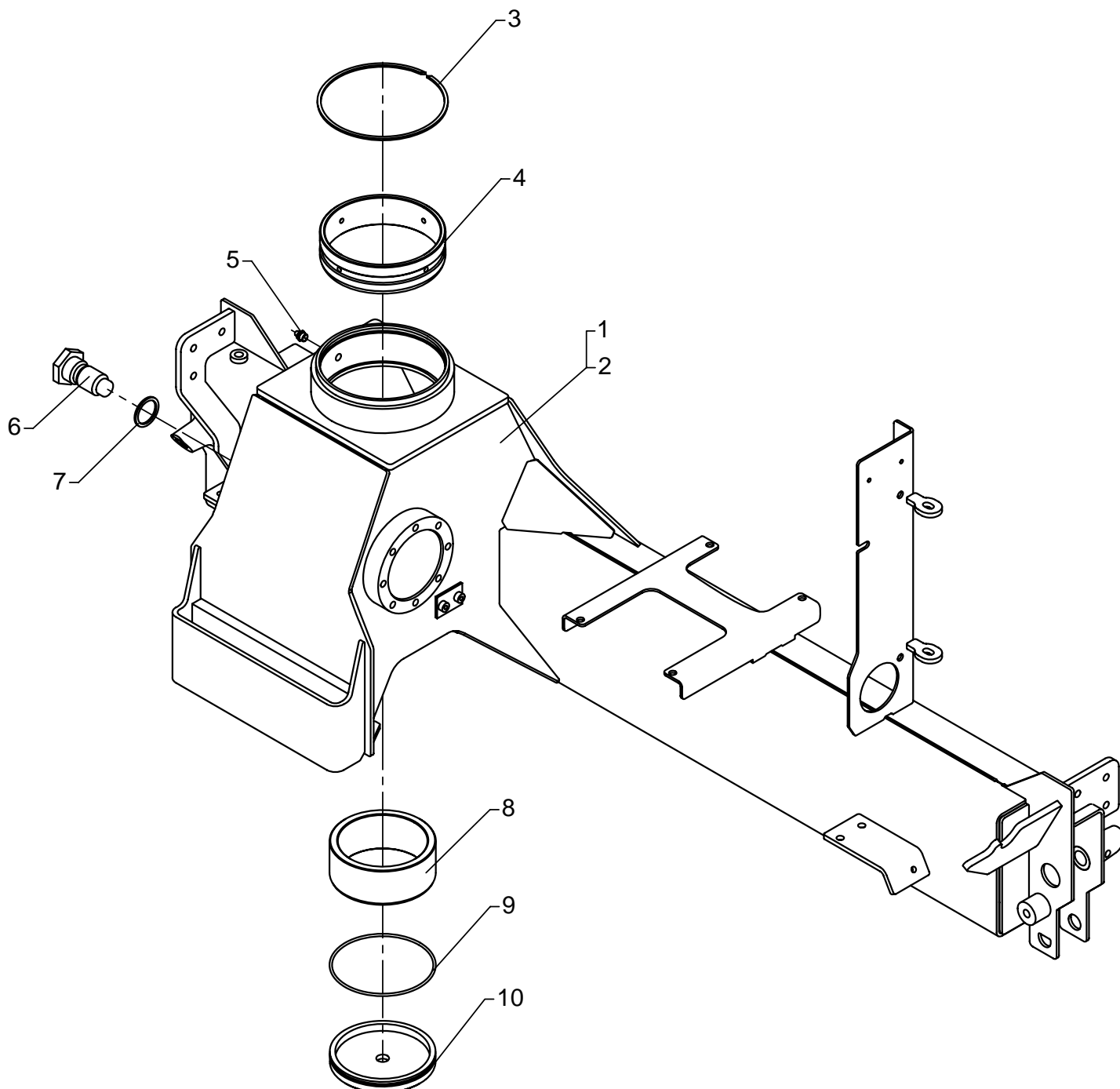
Part	Page	From no.	To no.
Base	45501010	67 00 01	
Oil level hose	45501015	67 00 01	
Slewing system	45501020	67 00 01	
Column	45501030	67 00 01	
Main boom	45502010	67 00 01	
Jib	45502020	67 00 01	
Jib extension, K1	45502030	67 00 01	
Jib extension, K2	45502031	67 00 01	
Jib extension, K3	45502032	67 00 01	
Hook suspension	45502100	67 00 01	
Manual extension, K2	45502201	67 00 01	
Manual extension, K3	45502202	67 00 01	
Boom- and jib cylinder	45503010	67 00 01	
Boom cylinder with LHV	45503011	67 00 01	
Jib cylinder with double LHV	45503012	67 00 01	
Extension cylinder, I, C40-1200	45503050	67 00 01	
Extension cylinder, II, C40-1300	45503051	67 00 01	
Extension cylinder, III, C40-1300	45503052	67 00 01	
Stabilizer cylinder, C50-335	45503100	67 00 01	
Stabilizer cylinder with piloted check-valve	45503101	67 00 01	
Stabilizer beam, short and lon	45504010	67 00 01	
Safety lock	45504100	67 00 01	
Stabilizer lock	45504150	67 00 01	
Lock bolt for stabilizer leg	45504200	67 00 01	
Valve block SDM081	45505010	67 00 01	
Valve bracket and dual control	45505100	67 00 01	
Pump circuit incl. tank	45505150	67 00 01	
Hydraulic system, slewing	45505200	67 00 01	
Fittings, extension cylinder, K1, K2	45505360	67 00 01	
Fittings, extension cylinder, K3	45505362	67 00 01	
Hydraulic system, stabilizers	45505450	67 00 01	
Load indicator	45505600	67 00 01	
Emergency stop kit	45505650	67 00 01	
Hydraulic system, boom, jib and extension cylinders C=6 o'clock	45505810	67 00 01	
Hydraulic system, boom, jib and extension cylinders C=12 o'clock	45505830	67 00 01	
Labels	45506010	67 00 01	

Spare Parts Catalog
3.2/23

Part	Page	From no.	To no.
Mounting fittings	45506100	67 00 01	
Valve bracket + dual ctrl stab	45507020	67 00 01	
Series connection	45507030	67 00 01	
High pressure filter	45507500	67 00 01	
Kit for extra valves	45507510	67 00 01	

3.2/23

Intern ref.: 1320610



Base

As from / To loader no.:68 00 01 /

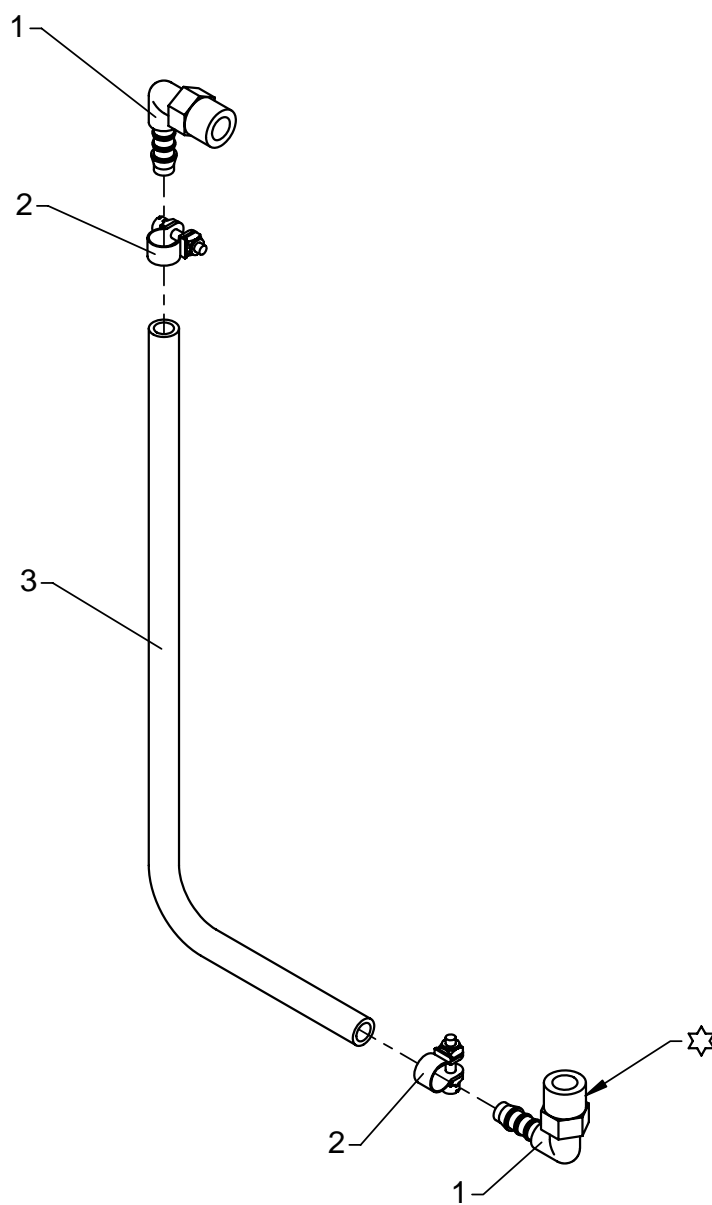
Created: 01.06.2005

Modified:

Item no.	Qty.	Part no.	Description	Remarks
1	1	1320351	Base	1700
2	1	1320349	Base	2000
3	1	33264	Spring ring	SB150
4	1	63687	Upper bearing	
5	1	31318	Lubricator	1/8" RG
6	1	1320019	Screw	
7	1	21110	Seal washer	ø30,8 x 38,1 x 2,34
8	1	63688	Lower bearing	
9	1	20166	O-ring	OR 119,5 x 3
10	1	1320016	Cover	

3.2/23

Intern ref.: 1320390



☆ Loctite 577

Oil level hose

As from / To loader no.: 68 00 01 /

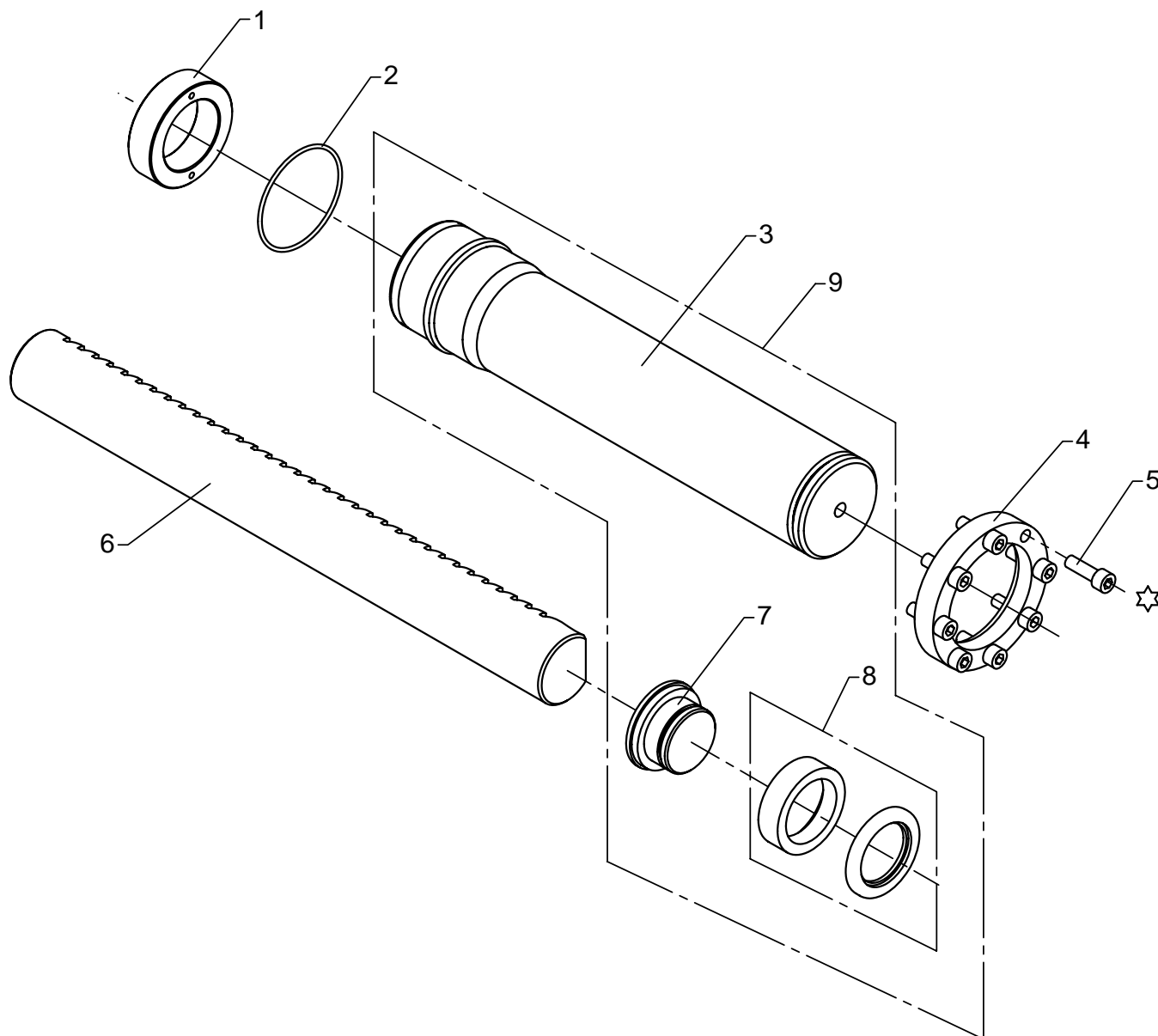
Created: 01.06.2005

Modified:

Item no.	Qty.	Part no.	Description	Remarks
1	2	64500	Elbow	WES 8/R-3/8"
2	2	31452	Clamp	
3	1	62511	Plastic hose	385 mm

3.2/23

Intern ref.: 1320620



☆ Loctite 243

Slewing system

As from / To loader no.:68 00 01 /

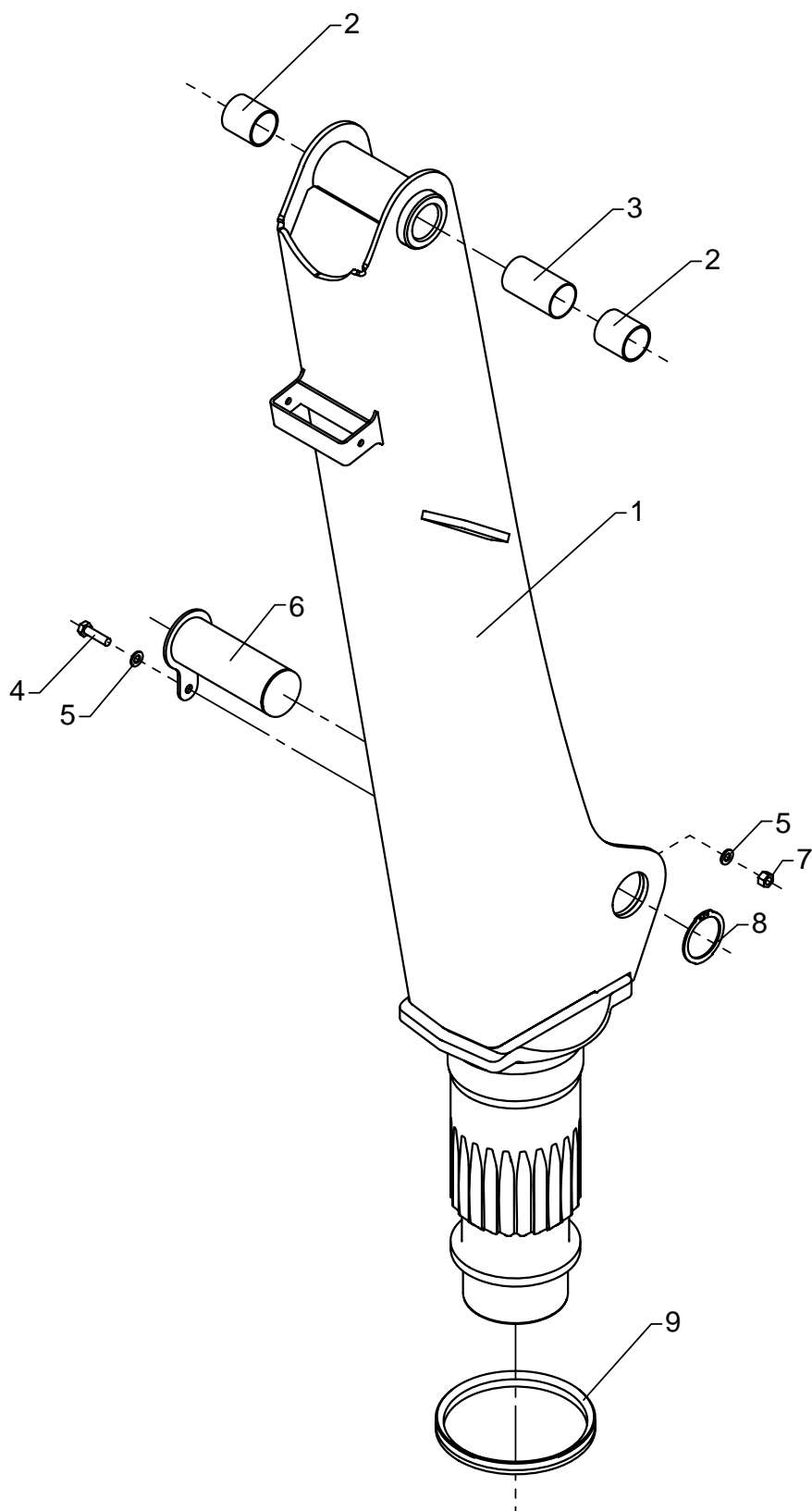
Created: 01.06.2005

Modified:

Item no.	Qty.	Part no.	Description	Remarks
1	2	63690	Slide bearing	
2	2	20190	O-ring	OR 84,5 x 3
3	2	1320059	Cylinder tube	
4	2	1320365	Flange	
5	16	30497	Sockethead screw	MC10 x 35
6	1	1320064	Rack	
7	2	1320063	Piston	
8	2	22127	Seal with lock ring	SW+RR 75/55 x 14,5
9	2	1320520	Slewing cyl. w/ piston+gasket	

3.2/23

Intern ref.: 1320630



Column

As from / To loader no.:68 00 01 /

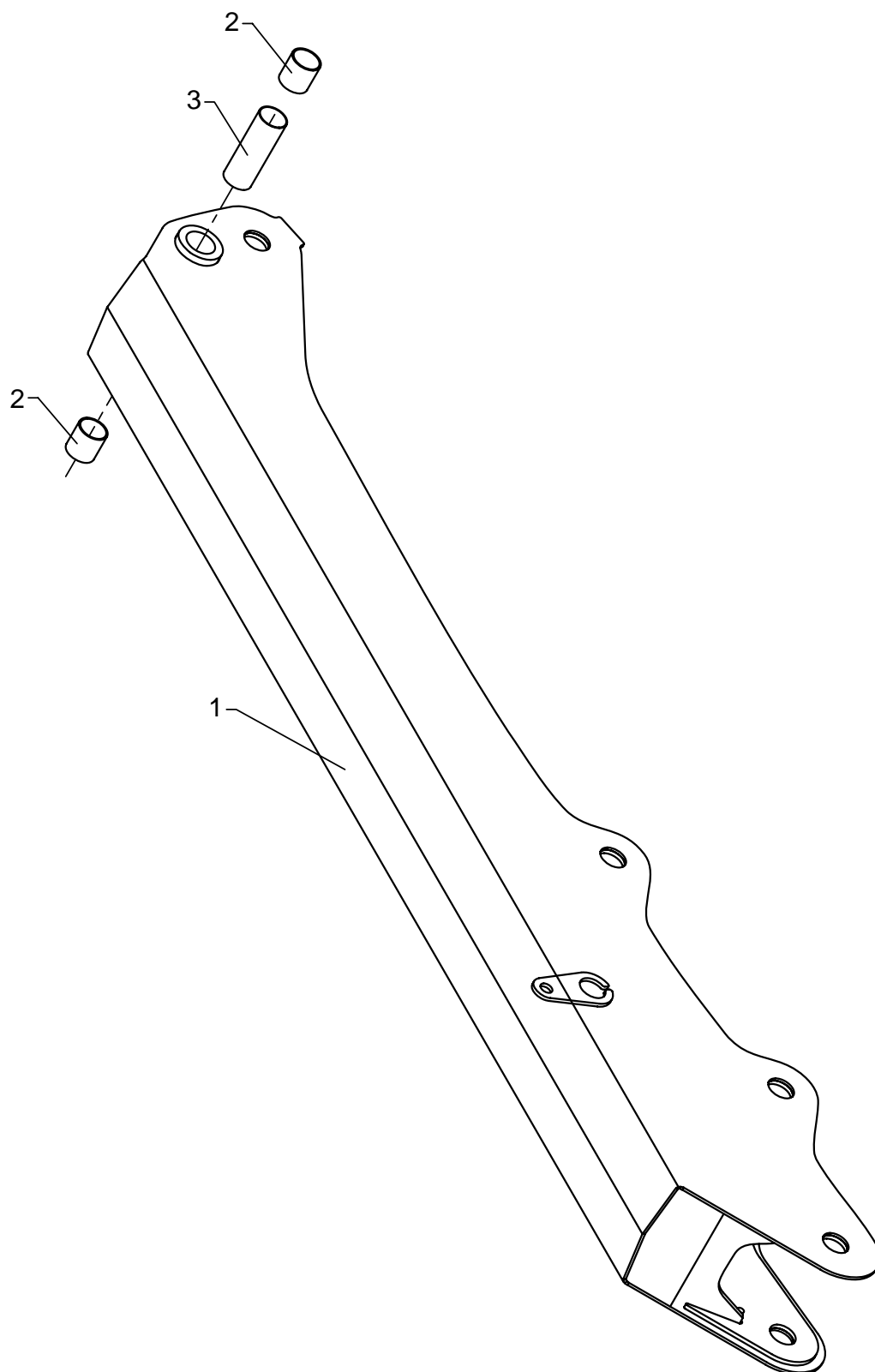
Created: 01.06.2005

Modified:

Pos.	Qty.	Part no.	Description	Remarks
1	1	1320048	Column	
2	2	23950	Bushing	ø35/ø39 x 40 mm MF41
3	1	1330167	Distance pipe	
4	1	30135	Set screw, stainless	M8 x 30
5	2	31147	Washer, stainless	8 mm
6	1	1320129	Pin	
7	1	30886	Lock nut, stainless	M8
8	1	33129	Circlip	50U
9	1	21934	V-ring	VA-0160

3.2/23

Intern ref.: 1320640



Main boom

As from / To loader no.: 68 00 01 /

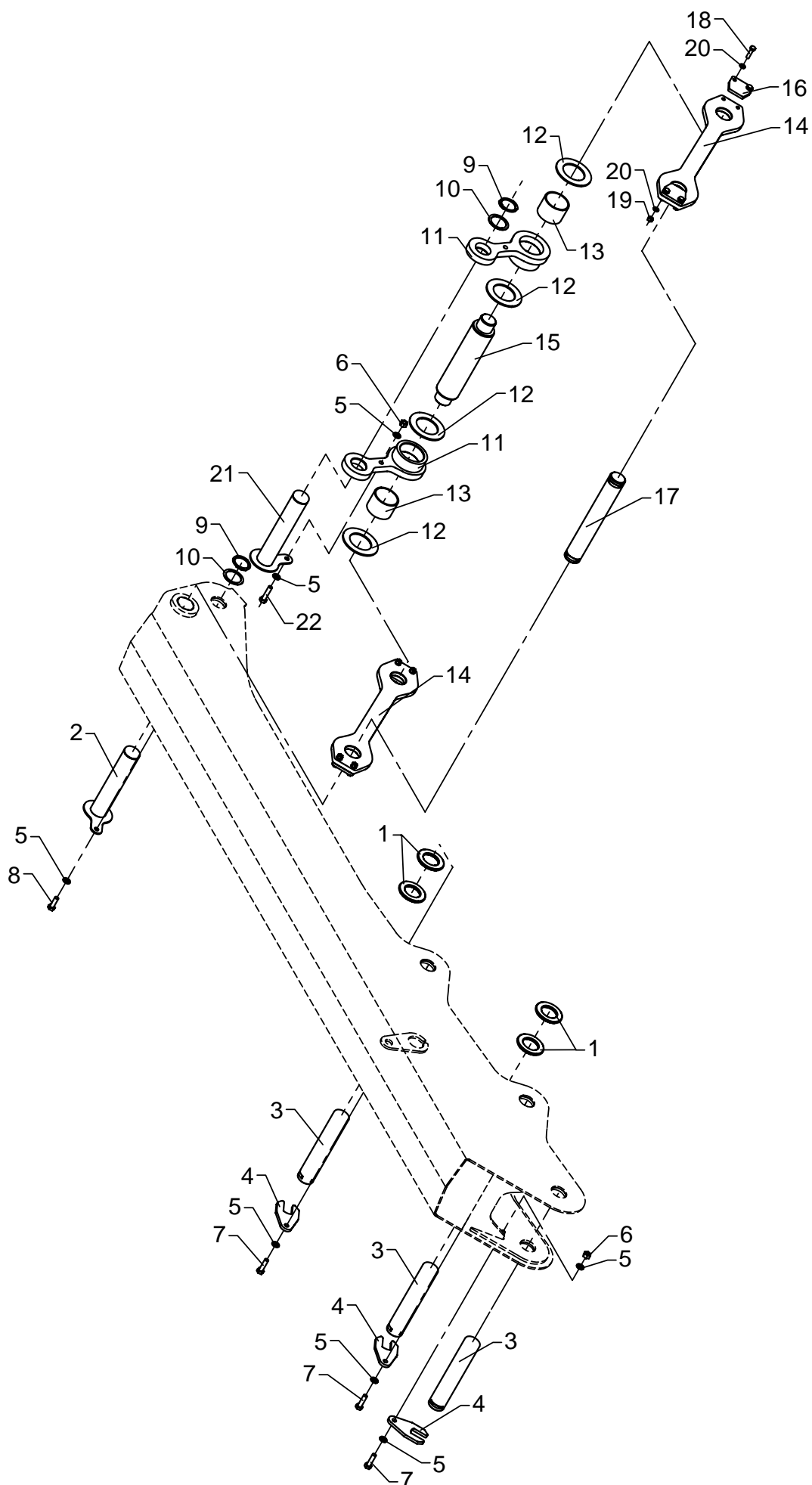
Created: 01.06.2005

Modified:

Item no.	Qty.	Part no.	Description	Remarks
1	1	1320075	Main boom	
2	2	23950	Bushing	ø35/ø39 x 40 mm MF41
3	1	1320373	Distance pipe	

3.2/23

Intern ref.: 1320680



Link arm system with pins

As from / To loader no.:68 00 01

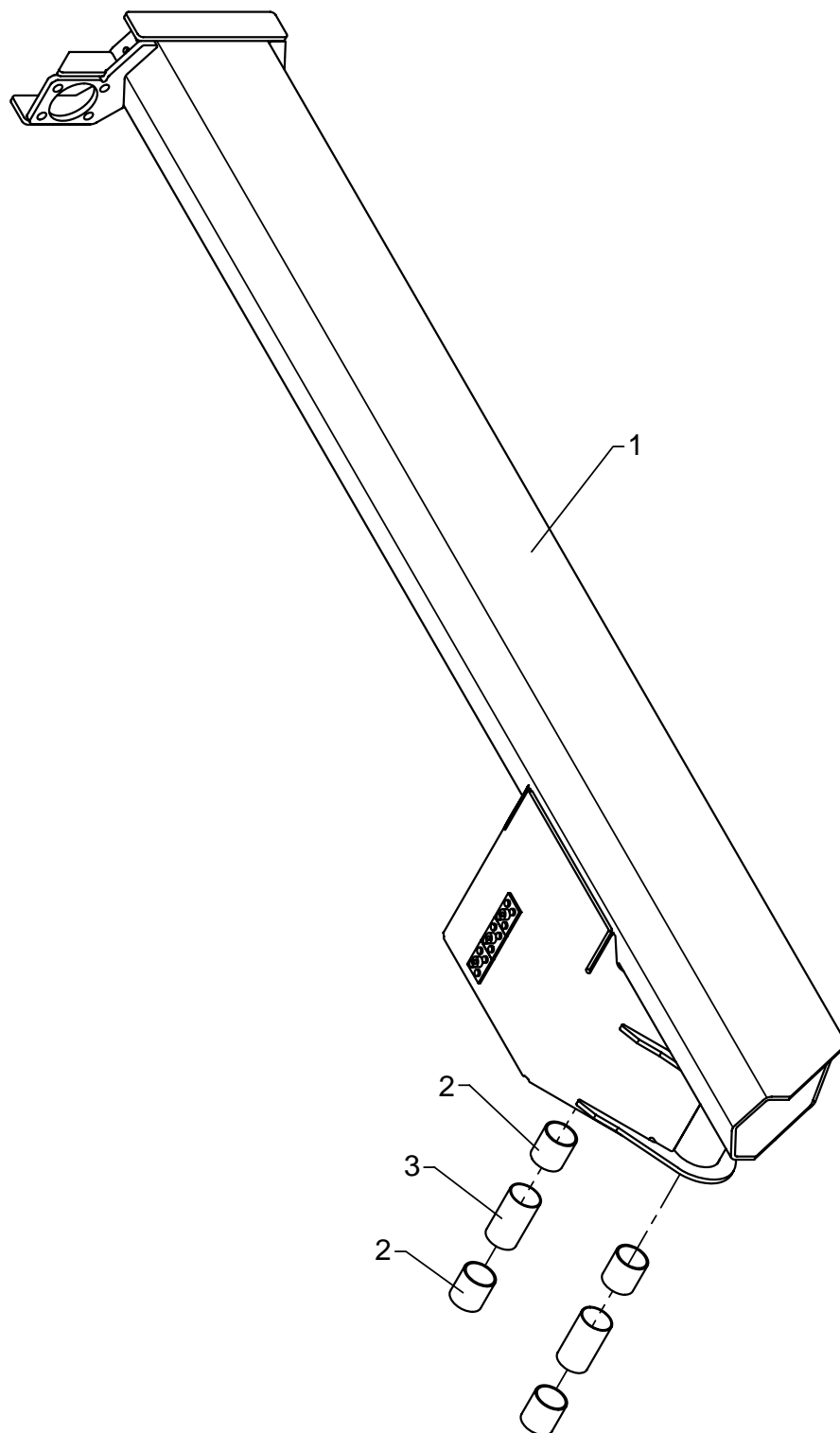
Created: 01.06.2005

Modified:

Item no.	Qty.	Part no.	Description	Remarks
1	4	63699	Spacer	
2	1	1320109	Pin	
3	3	1330108	Pin	
4	3	1330116	Lock plate	
5	9	31147	Washer, stainless	8 mm
6	5	30886	Lock nut, stainless	M8
7	3	30135	Set screw, stainless	M8 x 30
8	1	30134	Set screw, stainless	M8 x 25
9	2	33117	Circlip	35U
10	2	31767	Washer	PS 35 x 45 x 1,0
11	2	1320366	Push rod	
12	4	63694	Ring	
13	2	23400	Bushing	ø50/ø55 x 40mm MF41
14	2	1320103	Link arm	
15	1	1320102	Pin, cylinder	
16	4	1320105	Lock plate	
17	1	1320104	Pin	
18	8	30114	Set screw, stainless	M6 x 25
19	8	30884	Lock nut, stainless	M6
20	16	32302	Face washer, stainless	6 mm
21	1	1320106	Pin	
22	1	30136	Steel bolt, stainless	M8 x 35

3.2/23

Intern ref.: 1320700



Jib

As from / To loader no.: 68 00 01 /

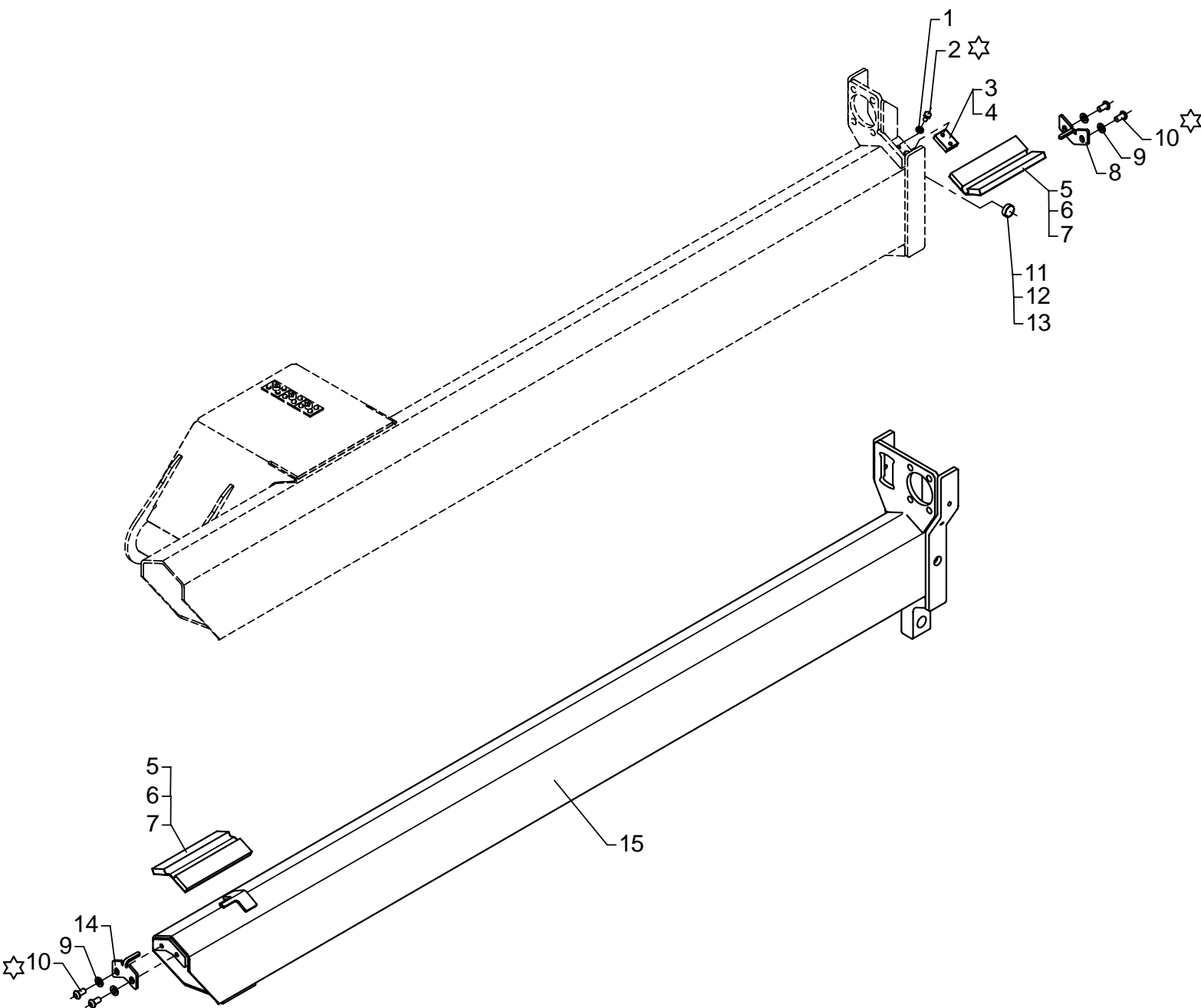
Created: 01.06.2005

Modified:

Item no.	Qty.	Part no.	Description	Remarks
1	1	1320112	Jib	
2	4	23950	Bushing	ø35/ø39 x 40 mm MF41
3	2	1330167	Distance pipe	

3.2/23

Intern ref.: 1320130



☆ Loctite 243

Jib extension, K1

As from / To loader no.:68 00 01 /

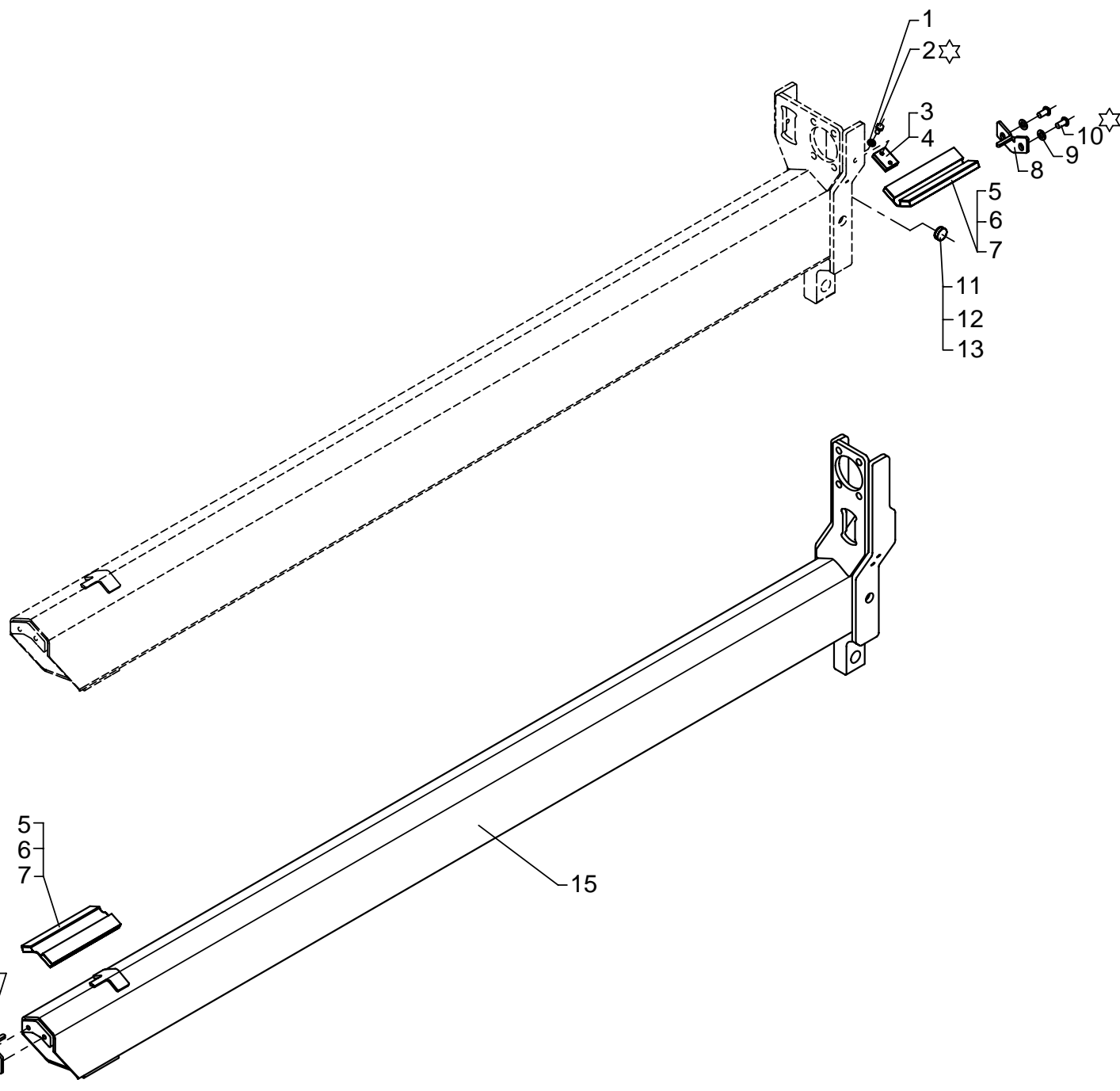
Created: 01.06.2005

Modified:

Item no.	Qty.	Part no.	Description	Remarks
1	4	32302	Face washer, stainless	6 mm
2	4	30111	Set screw, stainless	M6 x 12
3	2	1320187	Spacer	6 mm
4	2	1320188	Spacer	8 mm
5	2	63799	Slide block	6246244, 9 mm
6	2	63835	Slide block no. 1	6243534, 8 mm
7	2	63838	Slide block no. 4	6243564, 10 mm
8	1	1320186	Bracket	
9	4	31147	Washer, stainless	8 mm
10	4	30925	Round-head screw	M8 x 16
11	2	63749	Guide	5 mm
12	2	63750	Guide	6 mm
13	2	63502	Guide	7 mm
14	1	1320185	Bracket	
15	1	1320151	Extension, K1	

3.2/23

Intern ref.: 1320140



☆ Loctite243

Jib extension, K2

As from / To loader no.:52 00 01 /

Created: 01.07.2002

Modified:

Item no.	Qty.	Part no.	Description	Remarks
1	4	32302	Face washer, stainless	6 mm
2	4	30111	Set screw, stainless	M6 x 12
3	2	1320187	Spacer	6 mm
4	2	1320188	Spacer	8 mm
5	2	63773	Slide block	6322744, 8 mm
6	2	63774	Slide block	6322754, 9 mm
7	2	63775	Slide block	6322764, 10 mm
8	1	1320186	Bracket	
9	4	31147	Washer, stainless	8 mm
10	4	30925	Round-head screw	M8 x 16
11	2	63749	Guide	5 mm
12	2	63750	Guide	6 mm
13	2	63502	Guide	7 mm
14	1	1320185	Bracket	
15	1	1320172	Extension, K2	

Jib extension, K3

As from / To loader no.:68 00 01 /

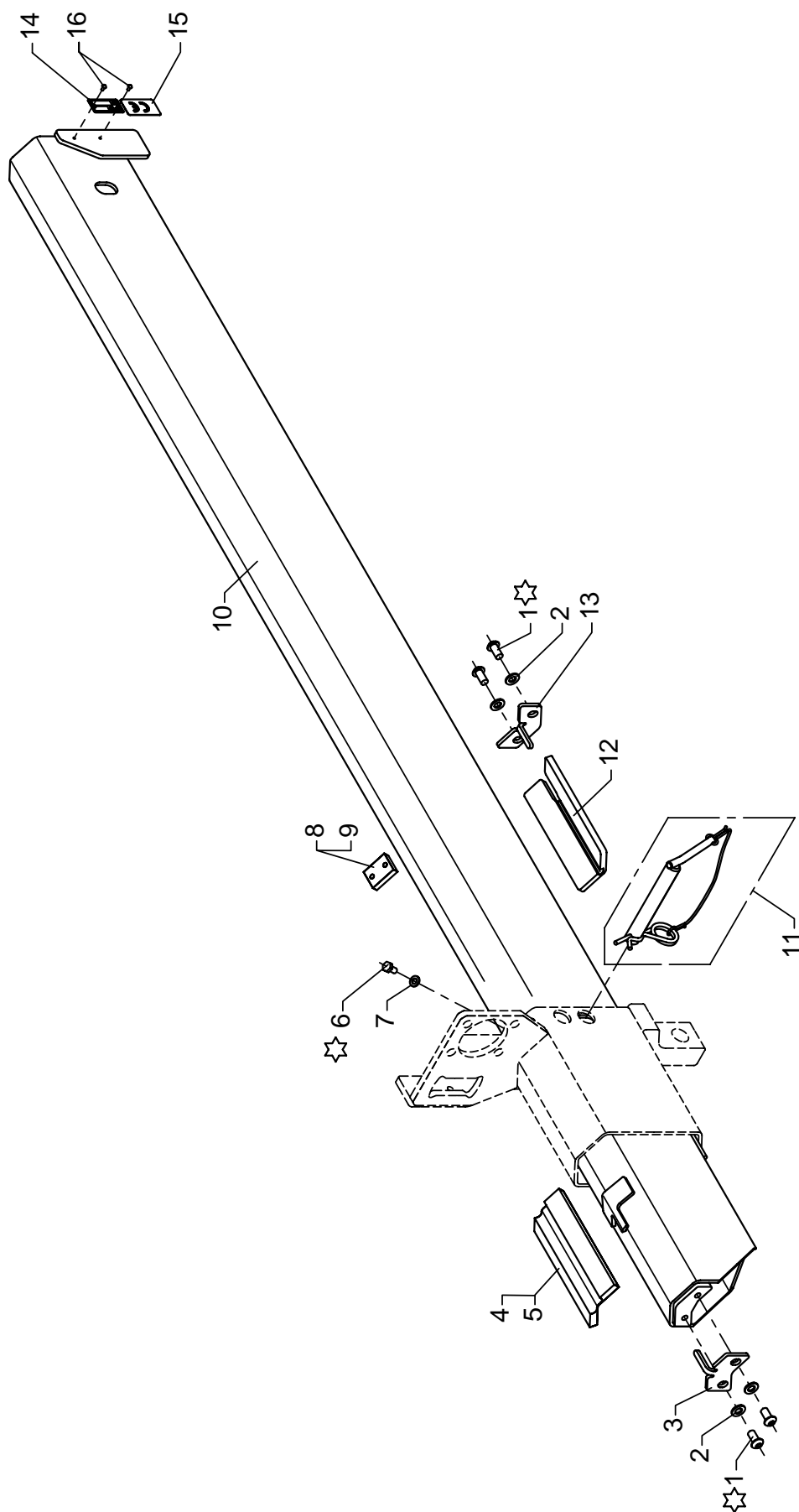
Created: 01.06.2005

Modified:

Item no.	Qty.	Part no.	Description	Remarks
1	4	32302	Face washer, stainless	6 mm
2	4	30111	Set screw, stainless	M6 x 12
3	2	1320187	Spacer	6 mm
4	2	1320188	Spacer	8 mm
5	2	63747	Slide block	6 mm
6	2	63748	Slide block	8 mm
7	1	1320186	Bracket	
8	4	31147	Washer, stainless	8 mm
9	4	30925	Round-head screw	M8 x 16
10	2	63749	Guide	5 mm
11	2	63750	Guide	6 mm
12	2	63502	Guide	7 mm
13	1	1320185	Bracket	
14	1	1320176	Extension, K3	

3.2/23

Intern ref.: 1320200



☆ Loctite 243

Manual extension, K1

As from / To loader no.:68 00 01 /

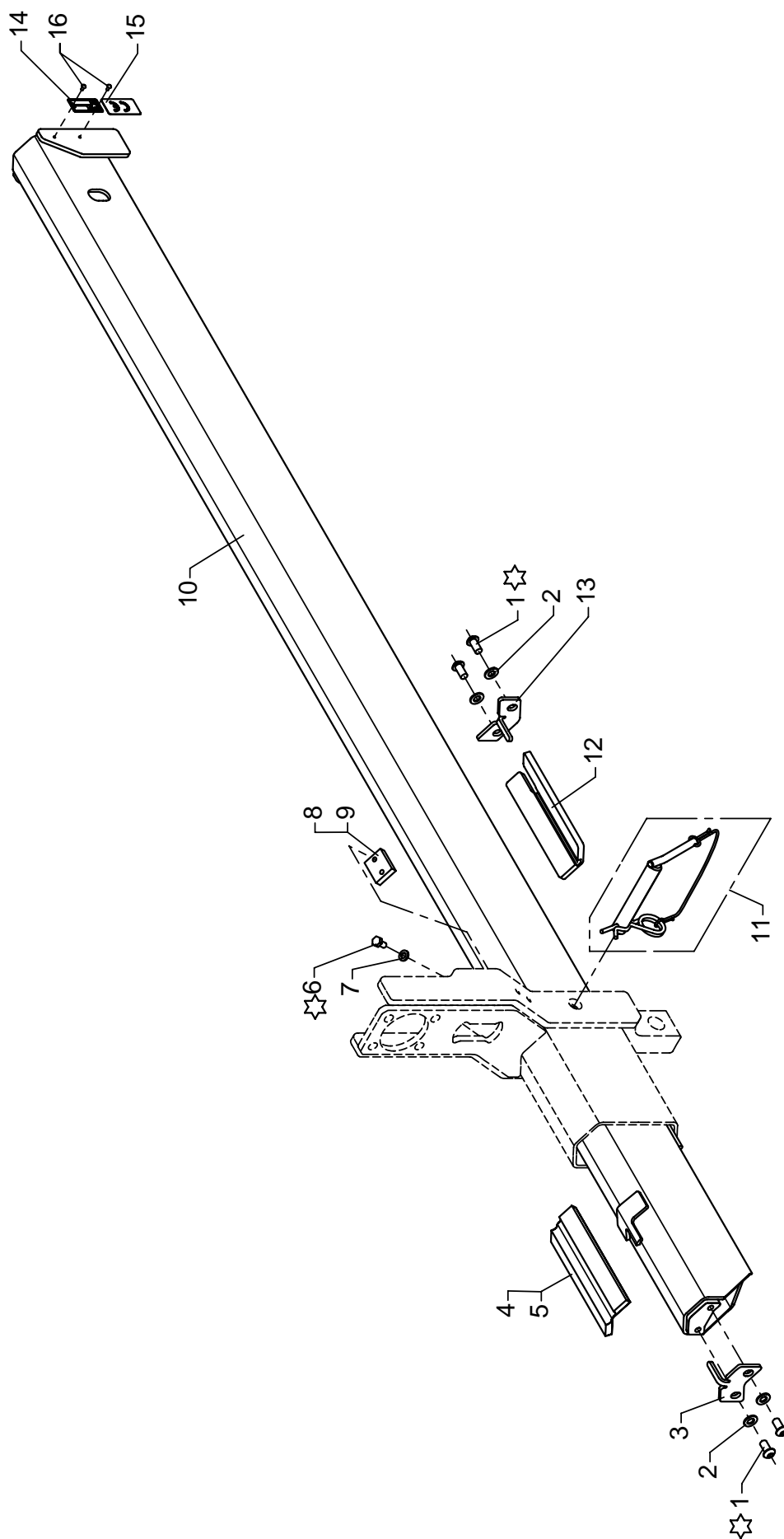
Created: 01.06.2005

Modified:

Item no.	Qty.	Part no.	Description	Remarks
1	4	30925	Round-head screw	M8 x 16
2	4	31147	Washer, stainless	8 mm
3	1	1320185	Bracket	
4	1	63773	Slide block	6322744, 8 mm
5	1	63774	Slide block	6322754, 9 mm
6	4	30111	Set screw, stainless	M6 x 12
7	4	32302	Face washer, stainless	6 mm
8	2	1320187	Spacer	6 mm
9	2	1320188	Spacer	8 mm
10	1	1320195	Manual extension, K1	
11	1	1320212	Lock pin with split pin	
12	1	1320198	Stop	
13	1	1320186	Bracket	
14	1	65796	Metallic plate - manual ext.	
15	1	65631	CE-label	
16	2	31340	Rivet	

3.2/23

Intern ref.: 1320210



☆ Loctite 243

Manual extension, K2

As from / To loader no.:68 00 01 /

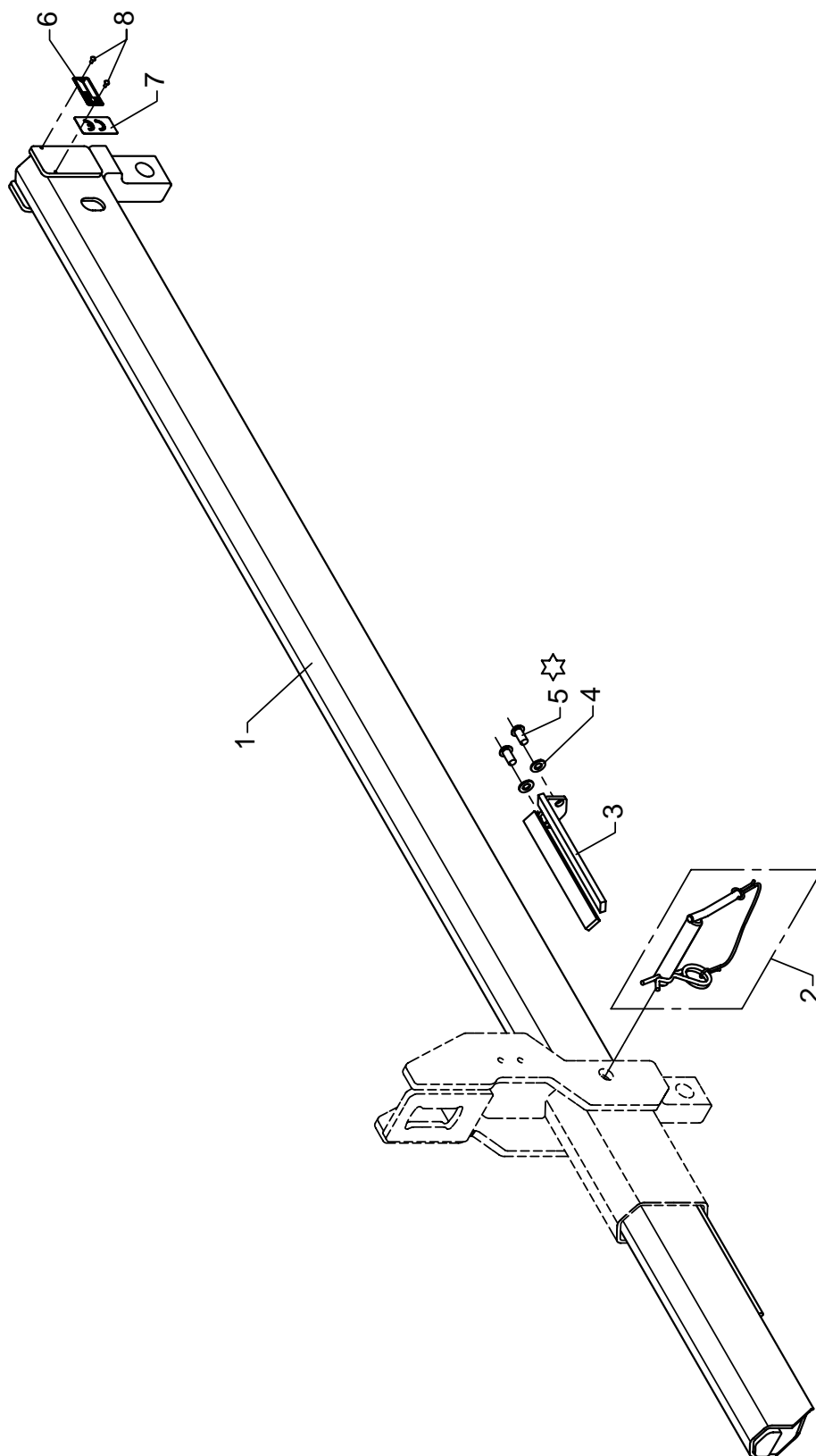
Created: 01.06.2005

Modified:

Item no.	Qty.	Part no.	Description	Remarks
1	4	30925	Round-head screw	M8 x 16
2	4	31147	Washer, stainless	8 mm
3	1	1320185	Bracket	
4	1	63747	Slide block	6 mm
5	1	63748	Slide block	8 mm
6	4	30111	Set screw, stainless	M6 x 12
7	4	32302	Face washer, stainless	6 mm
8	2	1320187	Spacer	6 mm
9	2	1320188	Spacer	8 mm
10	1	1320199	Manual extension, K2	
11	1	1320208	Lock pin with split pin	
12	1	1320202	Stop	
13	1	1320186	Bracket	
14	1	65796	Metallic plate - manual ext.	
15	1	65631	CE-label	
16	2	31340	Rivet	

3.2/23

Intern ref.: 1320220



☆ Loctite 243

Manual extension, K3

As from / To loader no.:68 00 01 /

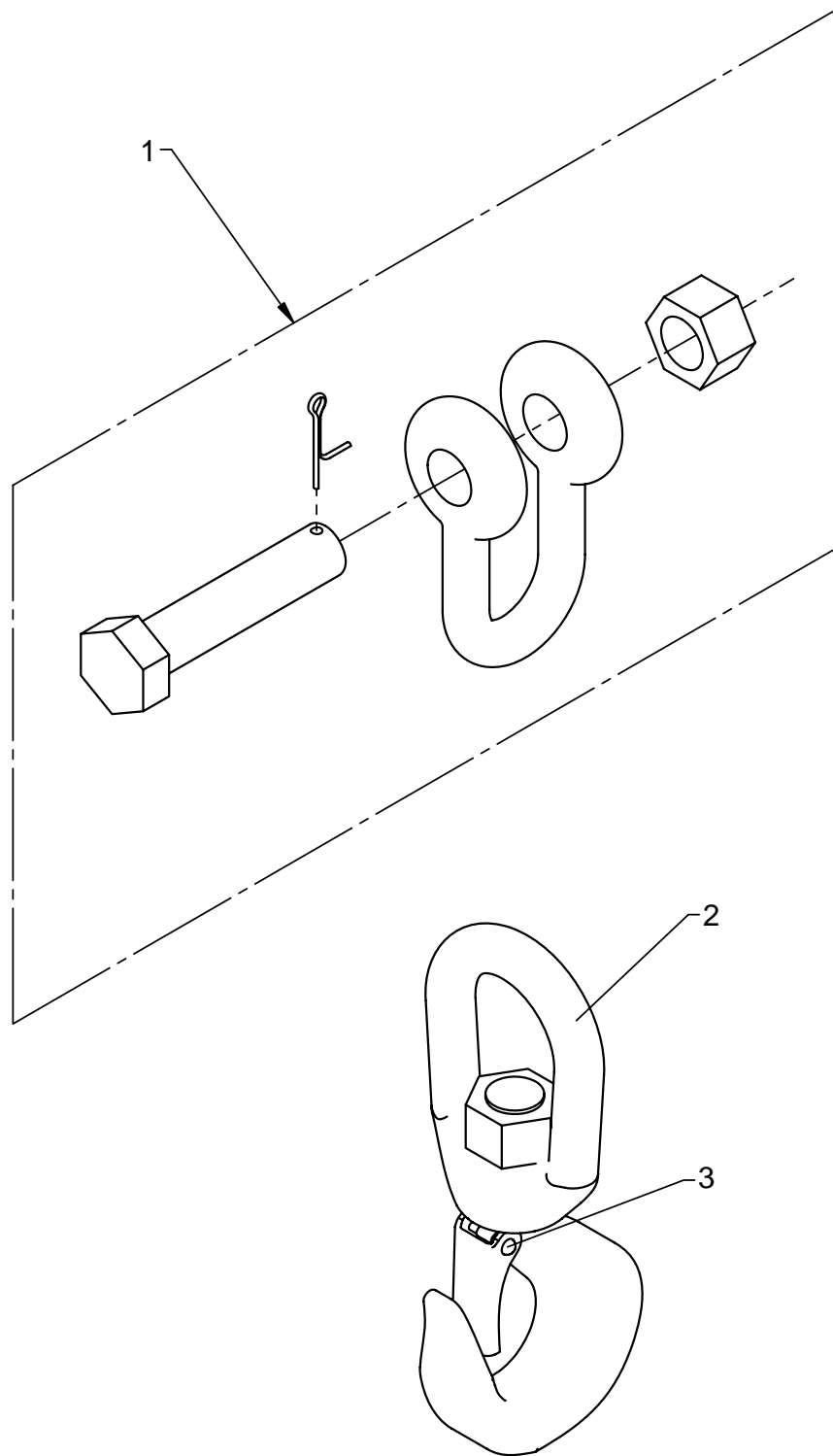
Created: 01.06.2005

Modified:

Item no.	Qty.	Part no.	Description	Remarks
1	1	1320189	Manual extension, K3	
2	1	1320204	Lock pin with split pin	
3	1	1320215	Stop	
4	2	31147	Washer, stainless	8 mm
5	2	30925	Round-head screw	M8 x 16
6	1	65796	Metallic plate - manual ext.	
7	1	65631	CE-label	
8	2	31340	Rivet	

3.2/23

Intern ref.: 62191+62192



Hook with shackle

As from / To loader no.: 68 00 01 /

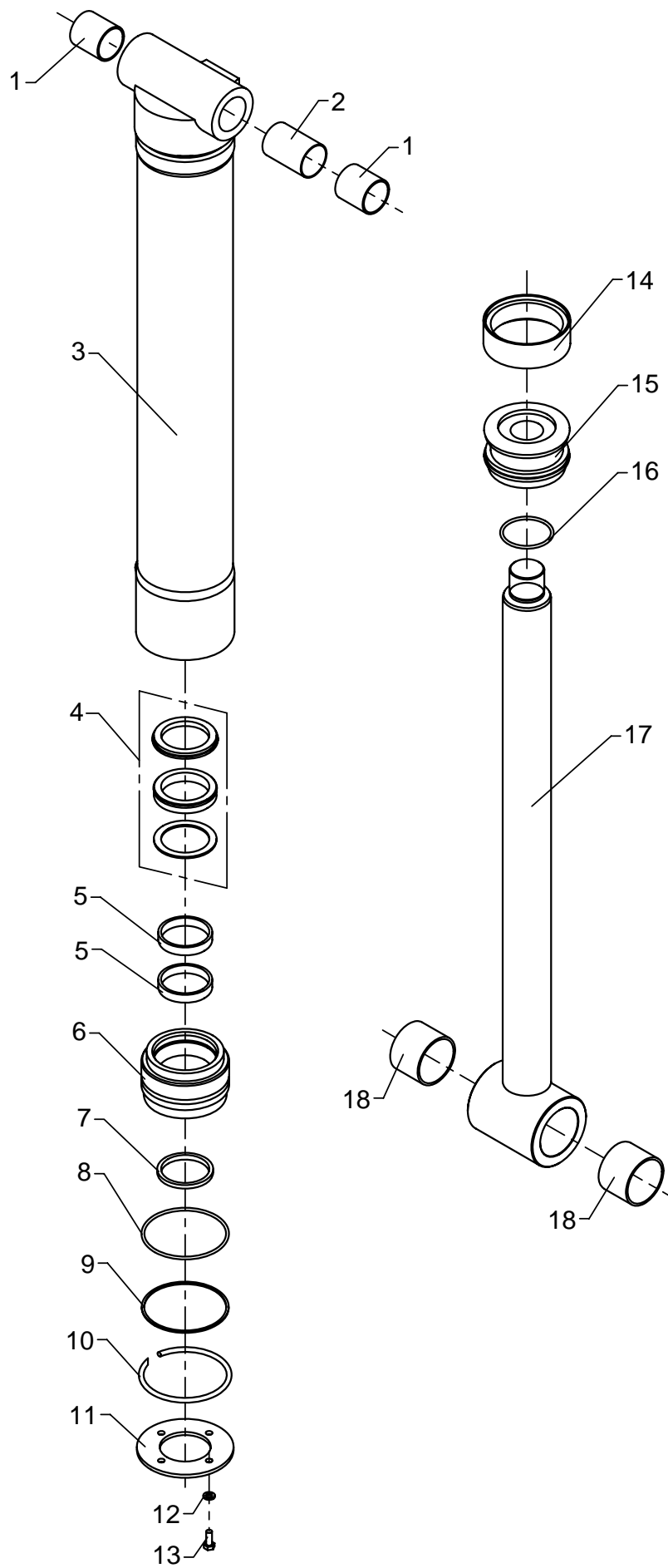
Created: 01.06.2005

Modified:

Item no.	Qty.	Part no.	Description	Remarks
1	1	62192	Shackle with nut	
2	1	62191	Swivel hook	
3		63216	Safety catch	

3.2/23

Intern ref.: 1320650



Boom- and jib cylinder, C90-525

As from / To loader no.: 68 00 01 /

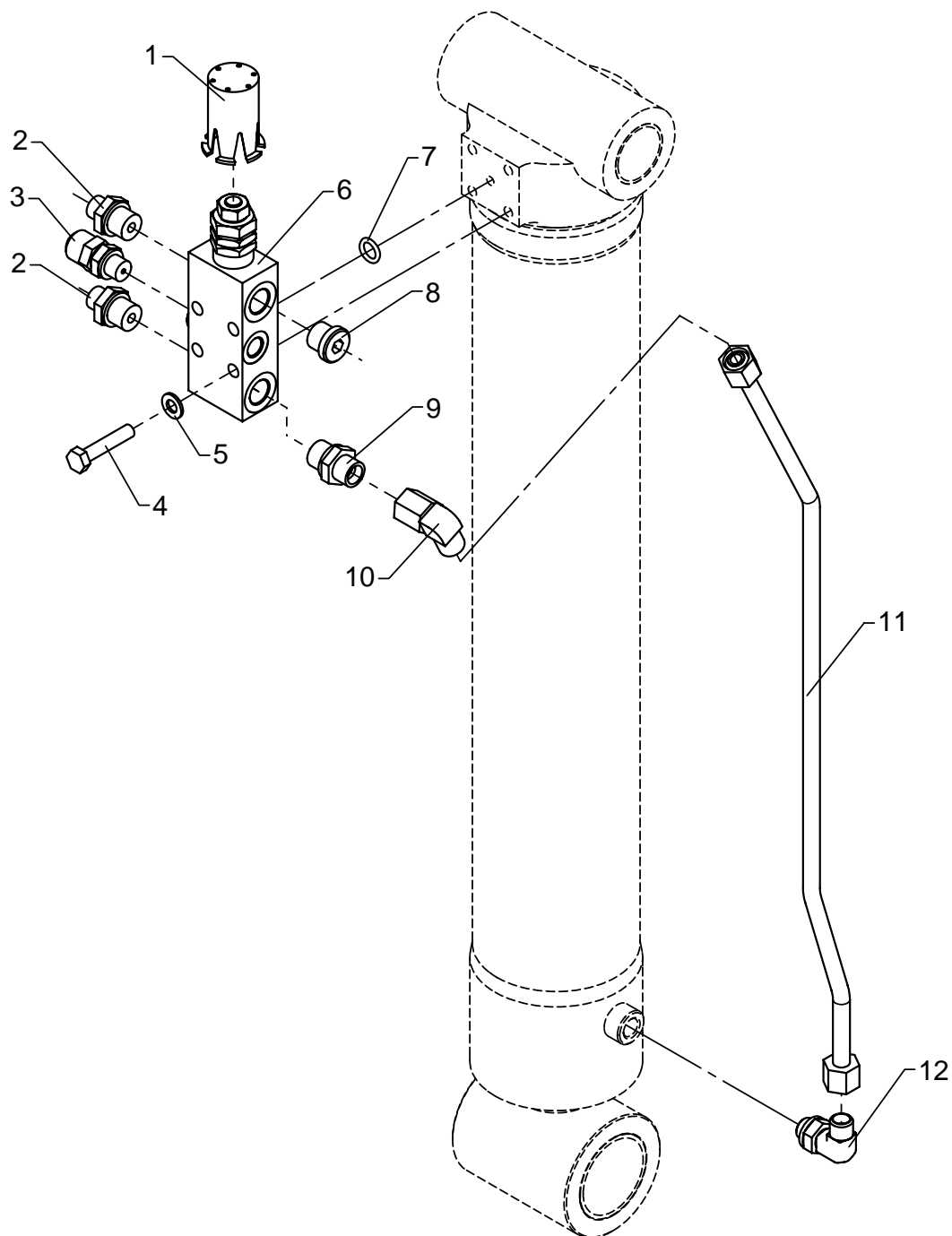
Created: 01.06.2005

Modified:

Item no.	Qty.	Part no.	Description	Remarks
	1	6893830	Seal kit	Pos. 4, 5, 7, 8, 9, 14, 16
1	2	23950	Bushing	ø35/ø39 x 40 mm MF41
2	1	1330092	Distance pipe	
3	1	1330048	Boom/jib cylinder	
4	1	22155	Seal kit	
5	2	21858	Guide ring	PWR 45/51 x 13-A
6	1	1320592	Guide	
7	1	21857	Scraper	PWD 50/58 x 5 x 5,8
8	1	20190	O-ring	OR 84,5 x 3
9	1	20710	Back ring	84,5 x 3
10	1	33488	Lock ring, black	
11	1	1320591	Plate	
12	4	32302	Face washer, stainless	6 mm
13	4	30112	Set screw, stainless	M6 x 16
14	1	21852	Seal double-acting	M 90 x 75 x 20
15	1	1320593	Piston	
16	1	20182	O-ring	OR 9.19 x 2.62
17	1	1320596	Piston rod	
18	2	23400	Bushing	ø50/ø55 x 40mm MF41

3.2/23

Intern ref.: 1320660



Boom cylinder with LHV

As from / To loader no.:68 00 01 /

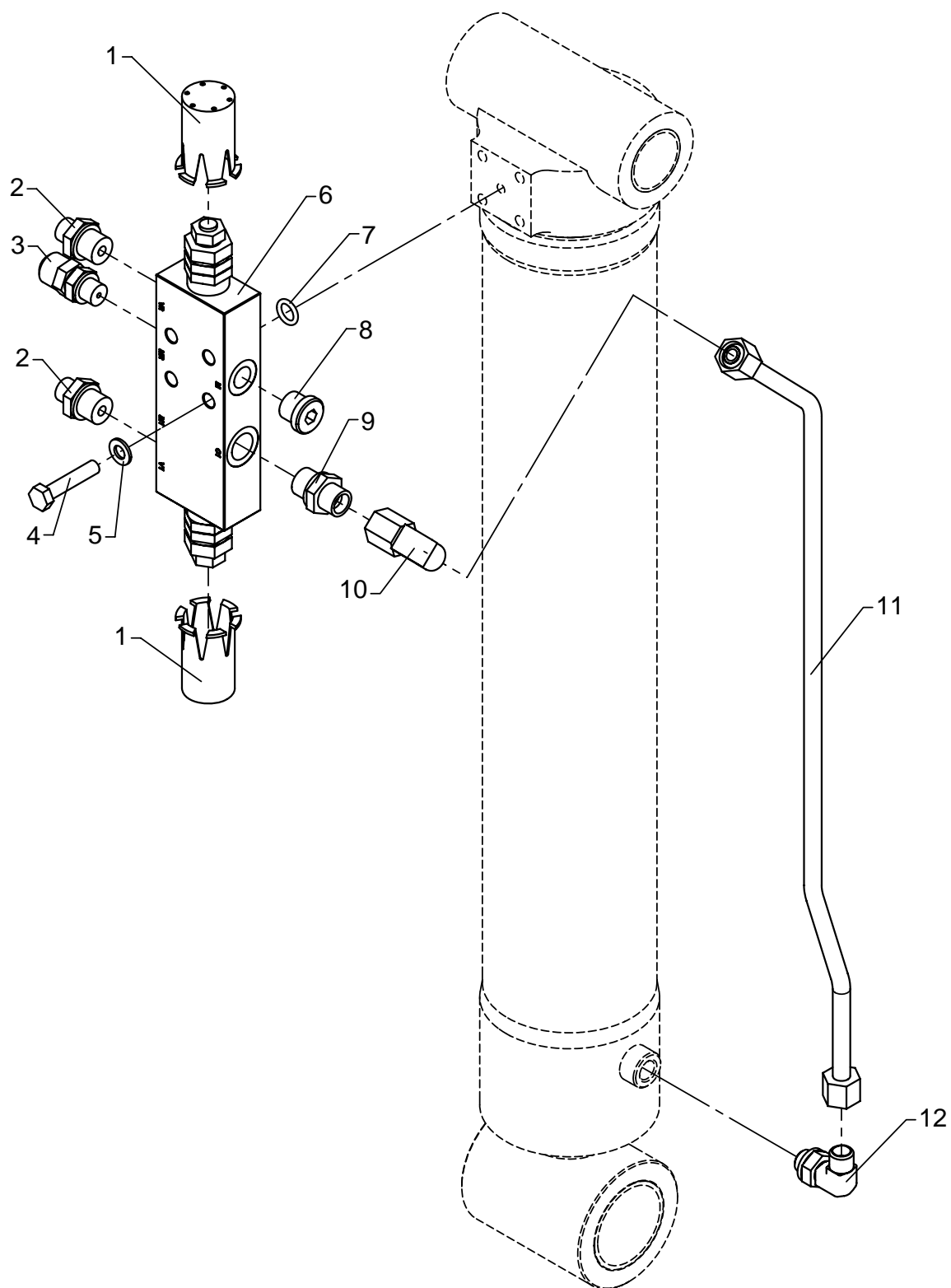
Created: 01.06.2005

Modified:

Item no.	Qty.	Part no.	Description	Remarks
1	1	59966	Cover	
2	2	25244	Connection	GES 8 L/R 3/8-WD
3	1	26103	Pressure-gauge connect.	
4	4	30137	Set screw, stainless	M8 x 40
5	4	31147	Washer, stainless	8 mm
6	1	58480	Single valve	
7	1	20138	O-ring	OR 10,77 x 2,62
8	1	25277	Plug	VS-R-3/8 WD
9	1	25253	Connection	GEV 10 L/R 3/8-WD
10	1	25120	Elbow connection	P-EWV 10 L-SV
11	1	1330202	Pipe	
12	1	26896	Elbow connection	

3.2/23

Intern ref.: 1320670



Jib cylinder with double LHV

As from / To loader no.:68 00 01 /

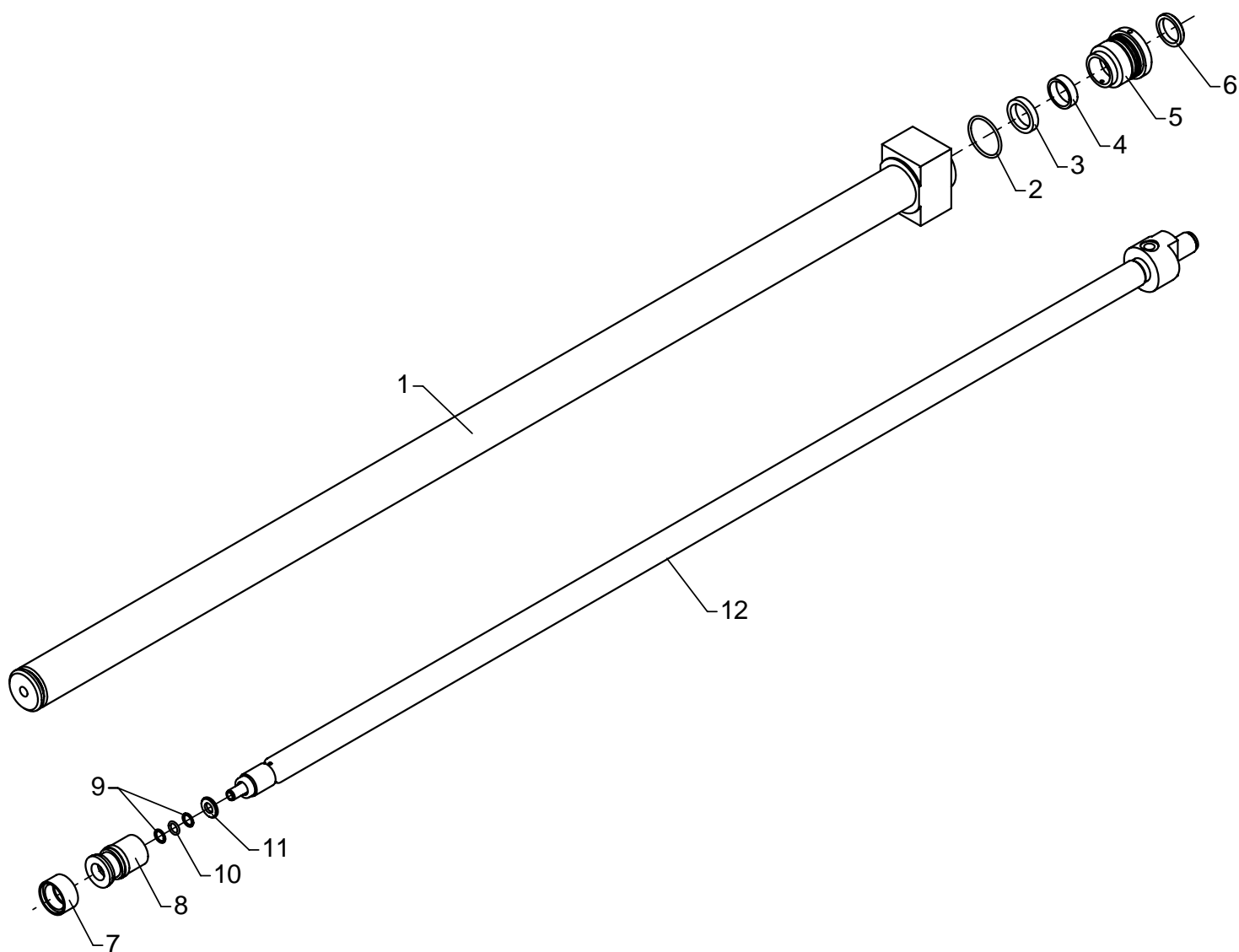
Created: 01.06.2005

Modified:

Item no.	Qty.	Part no.	Description	Remarks
1	2	59966	Cover	
2	2	25244	Connection	GES 8 L/R 3/8-WD
3	1	26103	Pressure-gauge connect.	
4	4	30137	Set screw, stainless	M8 x 40
5	4	31147	Washer, stainless	8 mm
6	1	59027	Load-holding valve	
7	1	20138	O-ring	OR 10,77 x 2,62
8	1	25277	Plug	VS-R-3/8 WD
9	1	25253	Connection	GEV 10 L/R 3/8-WD
10	1	25120	Elbow connection	P-EWV 10 L-SV
11	1	1330203	Pipe	
12	1	26896	Elbow connection	

3.2/23

Intern ref.: 1320110



Extension cylinder, I, C40-1300

As from / To loader no.: 68 00 01 /

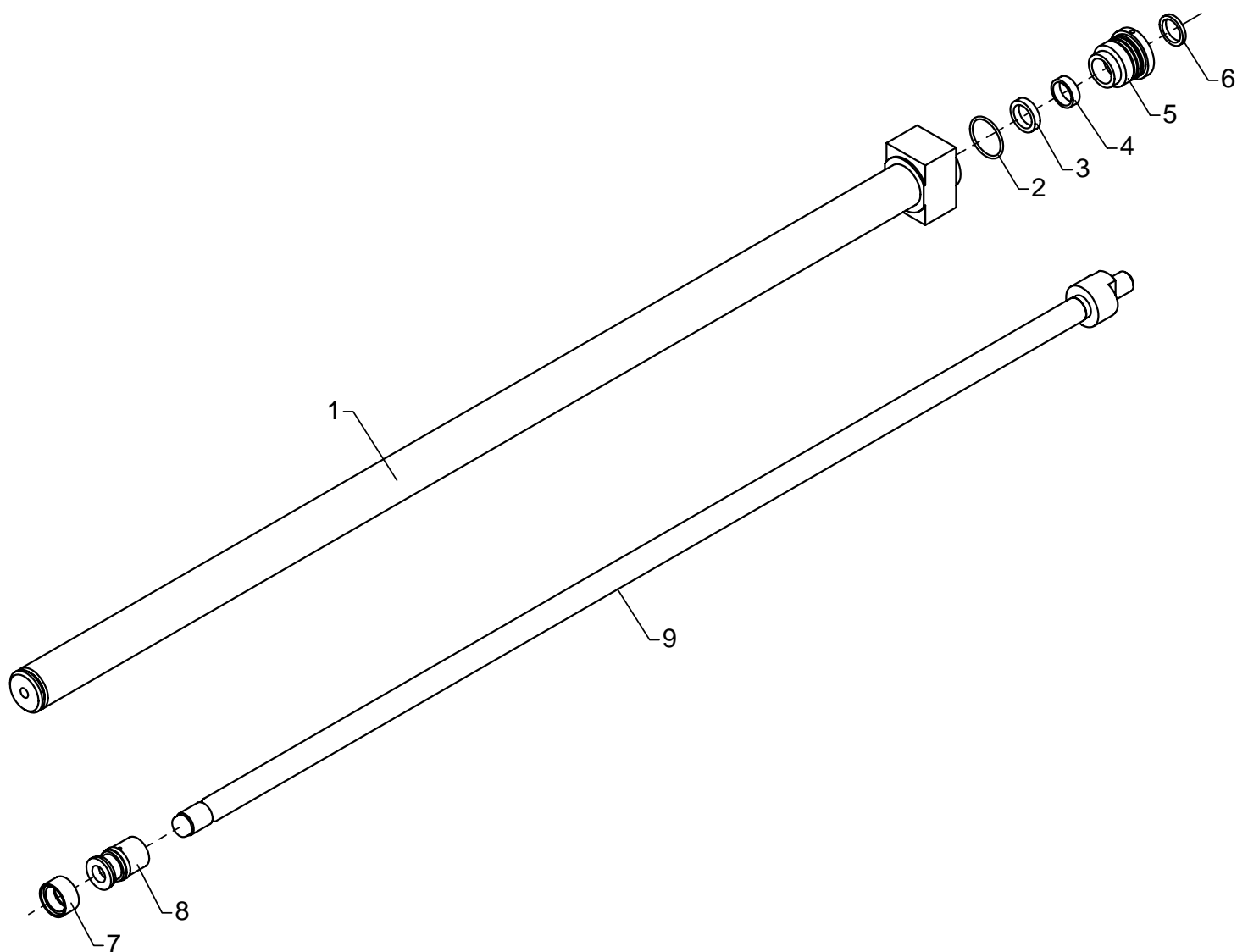
Created: 01.06.2005

Modified:

Item no.	Qty.	Part no.	Description	Remarks
	1	6393550	Seal kit	Pos. 2, 3, 4, 6, 7, 9, 10
1	1	1320132	Cylinder pipe	
2	1	20181	O-ring	OR 44,2 x 3
3	1	20973	Seal	SI/L 30/40 x 8
4	1	20974	Guide ring	PWR 30 x 36 x 10-A
5	1	1320142	Guide	
6	1	20972	Scraper	SDR 30 x 38 x 6 x 6,5
7	1	20971	Seal	MD 40/30 x 12,4
8	1	1320141	Piston	
9	2	20879	Back ring	11,3 x 2,4
10	1	20126	O-ring	OR 11,3 x 2,4
11	1	1320143	Ring	
12	1	1320136	Piston rod	

3.2/23

Intern ref.: 1320120



Extension cylinder, II, C40-1300

As from / To loader no.: 68 00 01 /

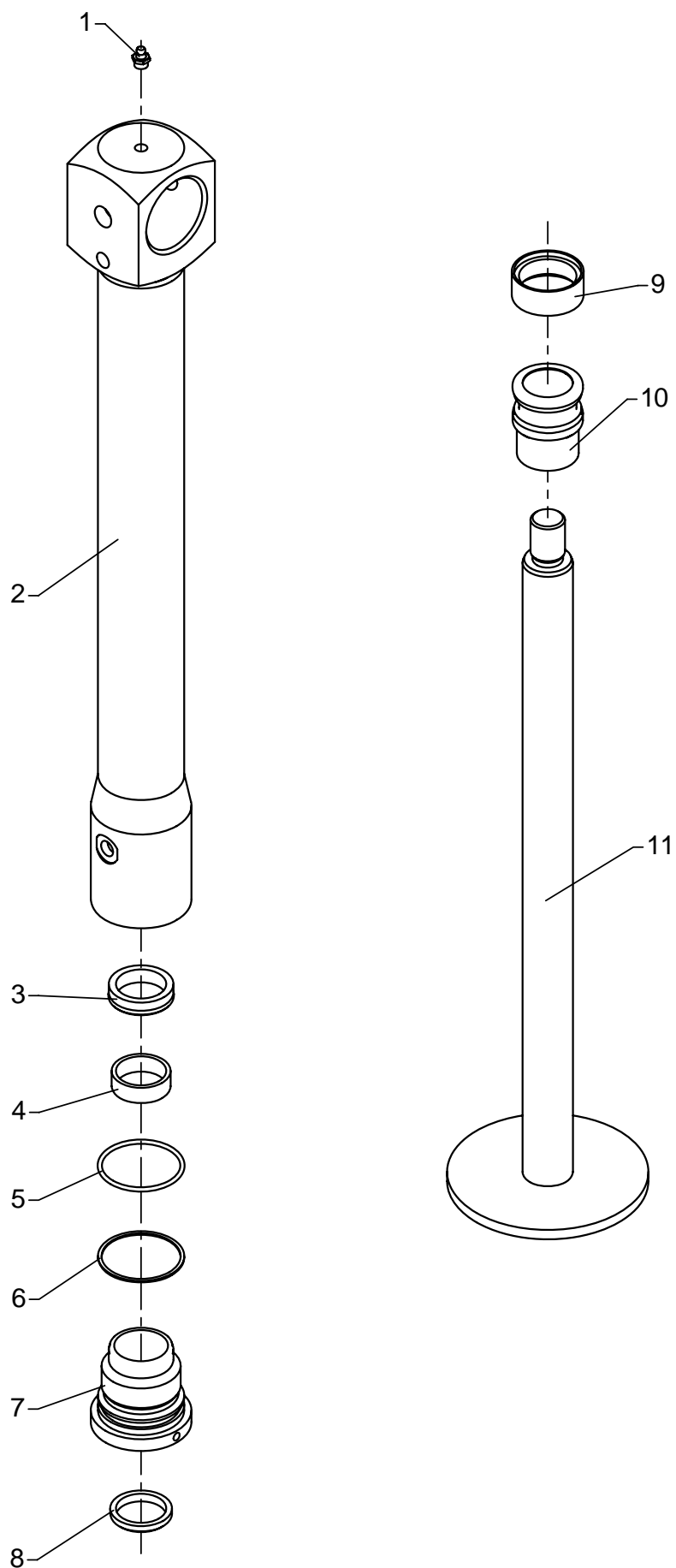
Created: 01.06.2005

Modified:

Item no.	Qty.	Part no.	Description	Remarks
	1	6893560	Seal kit	Pos. 2, 3, 4, 6, 7,
1	1	1320132	Cylinder pipe	
2	1	20181	O-ring	OR 44,2 x 3
3	1	20976	Seal	SI/L 28/38 x 8
4	1	20977	Guide ring	RWR 28/34 x 10-A
5	1	1320149	Guide	
6	1	20975	Scraper	PWD 28/36 x 5 x 5,8
7	1	20971	Seal	MD 40/30 x 12,4
8	1	1320148	Piston	
9	1	1320145	Piston rod	

3.2/23

Intern ref.: 1320070



Stabilizer cylinder, C50-335

As from / To loader no.:68 00 01 /

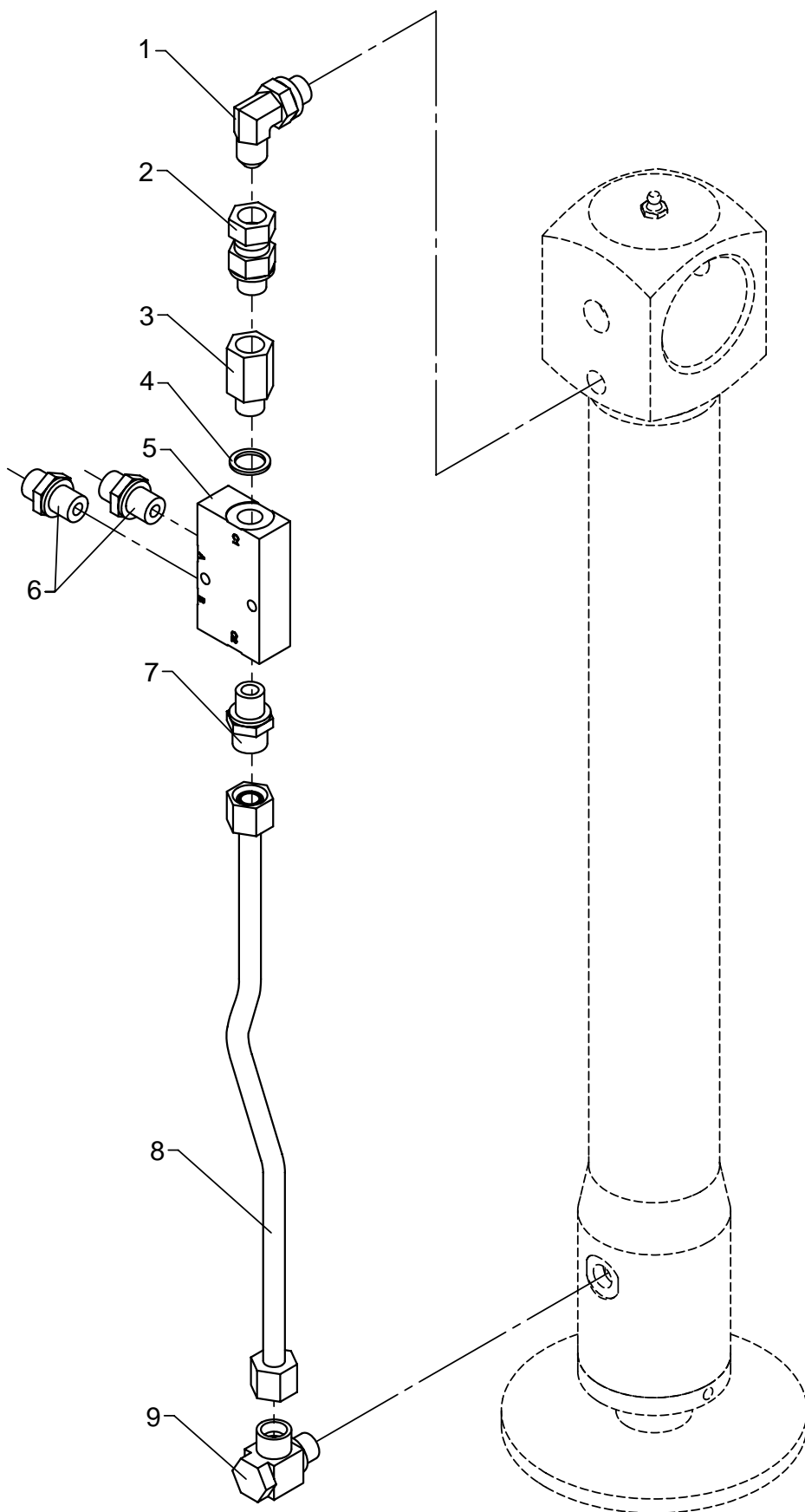
Created: 01.06.2005

Modified:

Item no.	Qty.	Part no.	Description	Remarks
	1	6893570	Seal kit	Pos. 3, 4, 5, 6, 8, 9
1	1	31318	Lubricator	1/8" RG
2	1	1320126	Cylinder pipe	
3	1	20967	Seal	SI/L 35/45 x 11
4	1	20969	Guide ring	RWR 34/41 x 13-A
5	1	20183	O-ring	OR 54,5 x 3
6	1	20882	Back ring	54,5 x 3
7	1	1320124	Guide	
8	1	20966	Scraper	SDR 35/42 x 6 x 6,5
9	1	20968	Seal	M 50/40 x 12,5
10	1	1320125	Piston	
11	1	1320121	Piston rod	

3.2/23

Intern ref.: 1330190



Stabilizer cylinder with piloted check-valve

As from / To loader no.:68 00 01 /

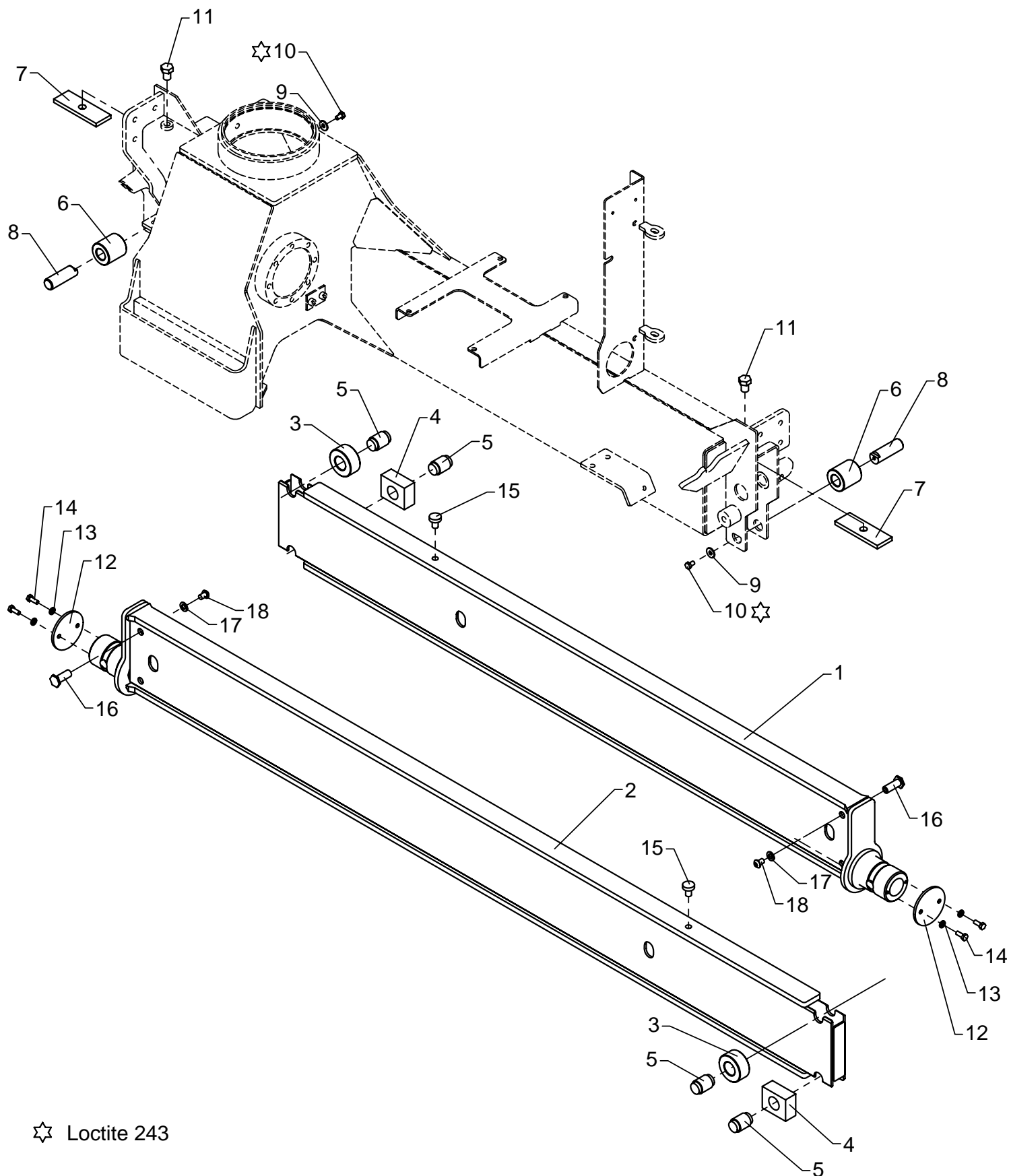
Created: 01.06.2005

Modified:

Item no.	Qty.	Part no.	Description	Remarks
1	1	25810	Elbow connection	C40XS 10-1/4 JIC
2	1	25733	Adaptor	F64XS 14/16 - 3/8" JIC
3	1	59077	Reducing nipple	1/4 BSP x 1/4 BSP
4	1	21102	Seal washer	ø14 x 18,7 x 1,5
5	1	59087	Piloted check-valve	
6	2	25109	Connection	GES 8 LR-WD
7	1	25121	Connection	GEV 10 LR-WD
8	1	1320311	Pipe	
9	1	25123	Banjo connection	P-RSWV 10 LR

3.2/23

Intern ref.: 1330060



Stabilizer beam, short and lon

As from / To loader no.:68 00 01 /

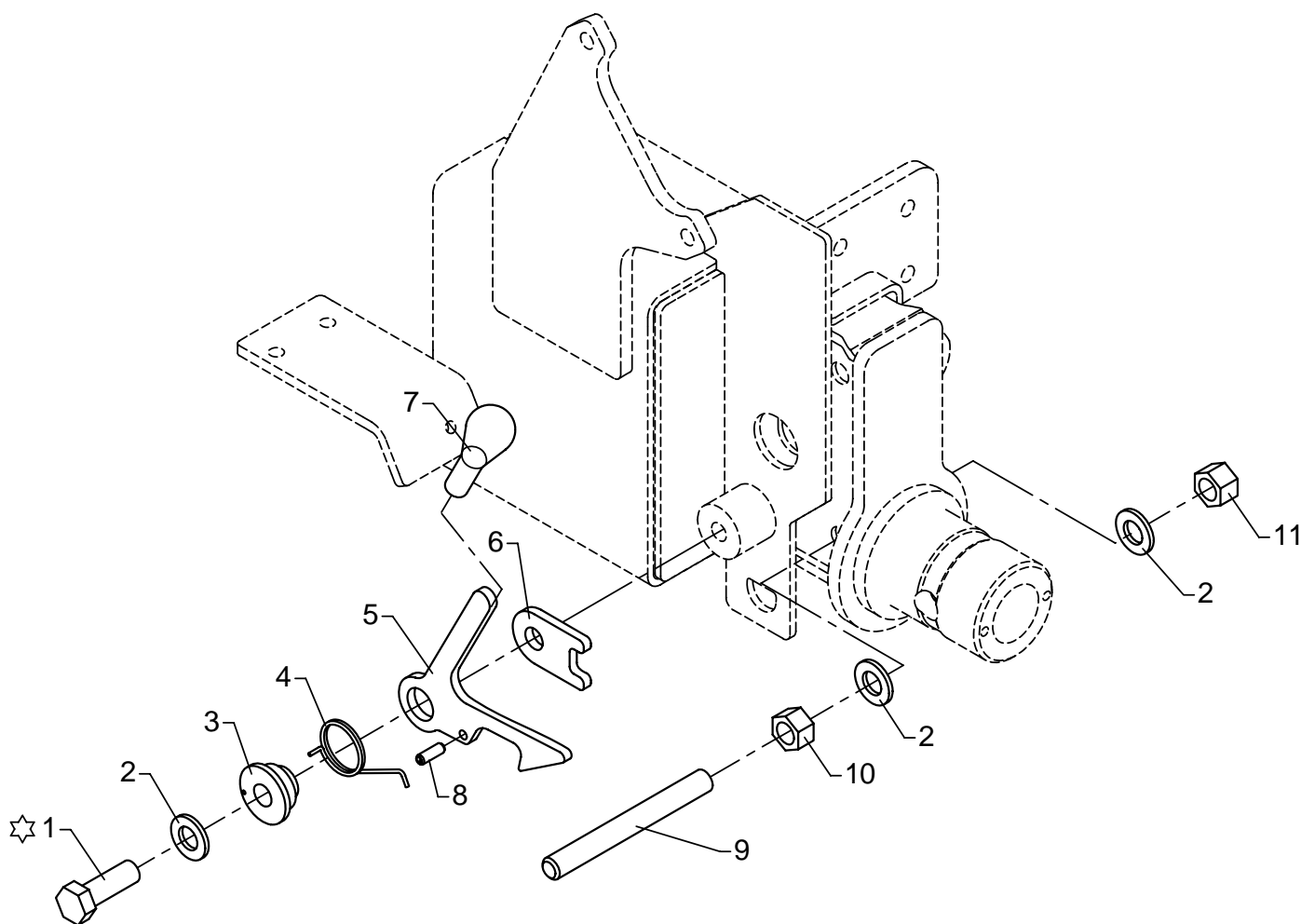
Created: 01.06.2005

Modified:

Item no.	Qty.	Part no.	Description	Remarks
1	1	1320539	Single extension, 155mm, short	Kranbrede 1700 og 2000
2	1	1320538	Single extension, 155mm, long	Kranbrede 2000
3	2	63414	Guide roller	
4	2	63416	Spacer	
5	4	1330069	Pin	
6	2	63691	Guide roller	
7	2	63415	Spacer	
8	2	1330068	Pin	
9	2	31134	Washer, stainless	
10	2	30110	Set screw, stainless	M6 x 10
11	2	30174	Set screw	M12 x 16
12	2	1320094	End plate	
13	4	32302	Face washer, stainless	6 mm
14	4	30112	Set screw, stainless	M6 x 16
15	2	1320092	Stop	
16	2	1330188	Guide	
17	2	31147	Washer, stainless	8 mm
18	2	30924	Screw	M8 x 12

3.2/23

Intern ref.: 1320160



☆ Loctite 243

Safety lock

As from / To loader no.: 68 00 01/

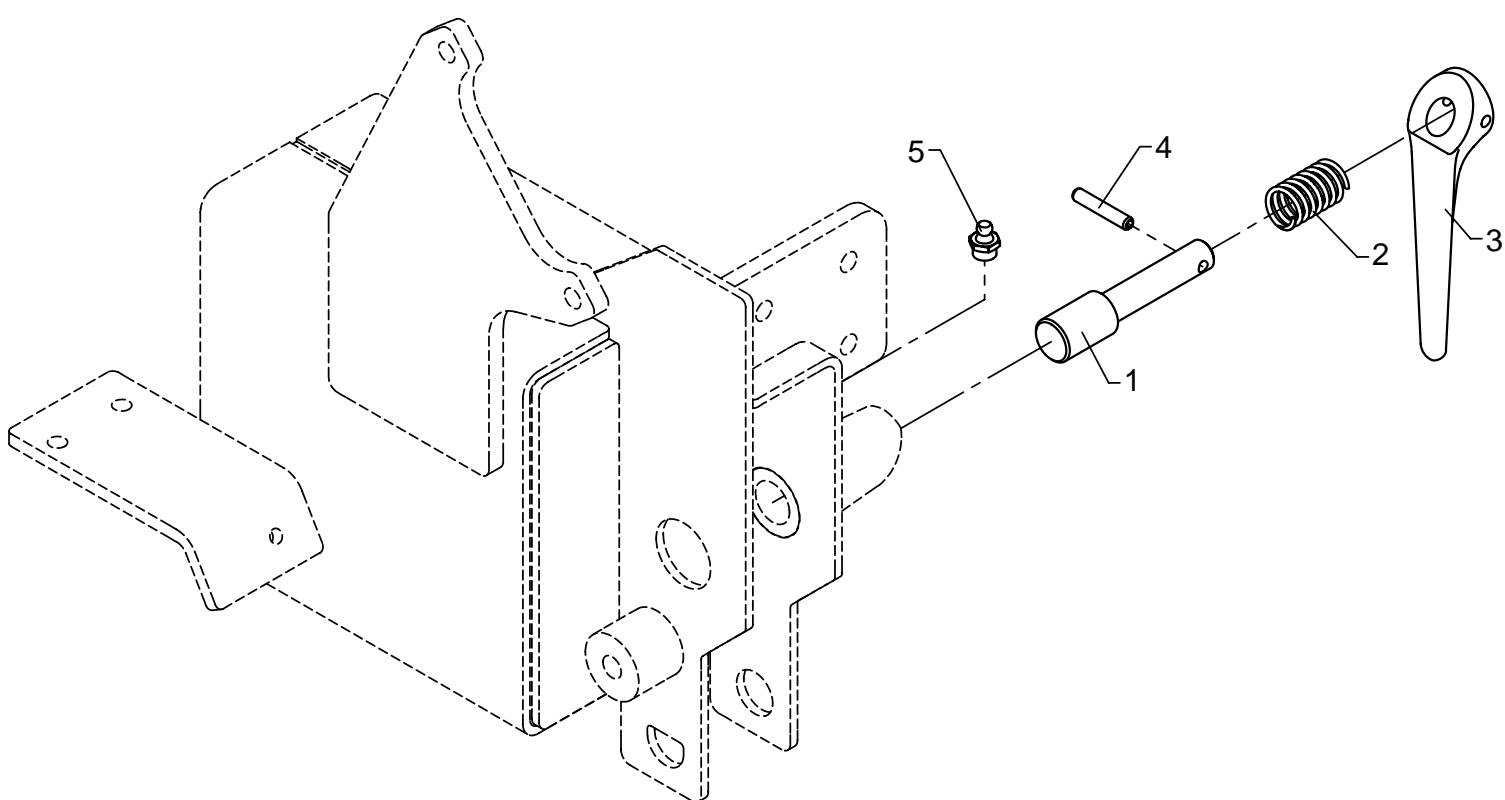
Created: 01.06.2005

Modified:

Item no.	Qty.	Part no.	Description	Remarks
1	1	30178	Set screw	M12 x 35
2	3	31131	Washer	12 mm
3	1	6323864	Spring guide	
4	1	33473	Spring	6179044
5	1	6323294	Hook	
6	1	6323914	Plate	
7	1	48406	Knob	-40 mm
8	1	31205	Retaining pin	ø5 x 16
9	1	1320223	Locking pin	
10	1	30860	Nut, stainless	M12
11	1	30890	Lock nut	M12

3.2/23

Intern ref.: 1330180



Stabilizer lock

As from / To loader no.:68 00 01/

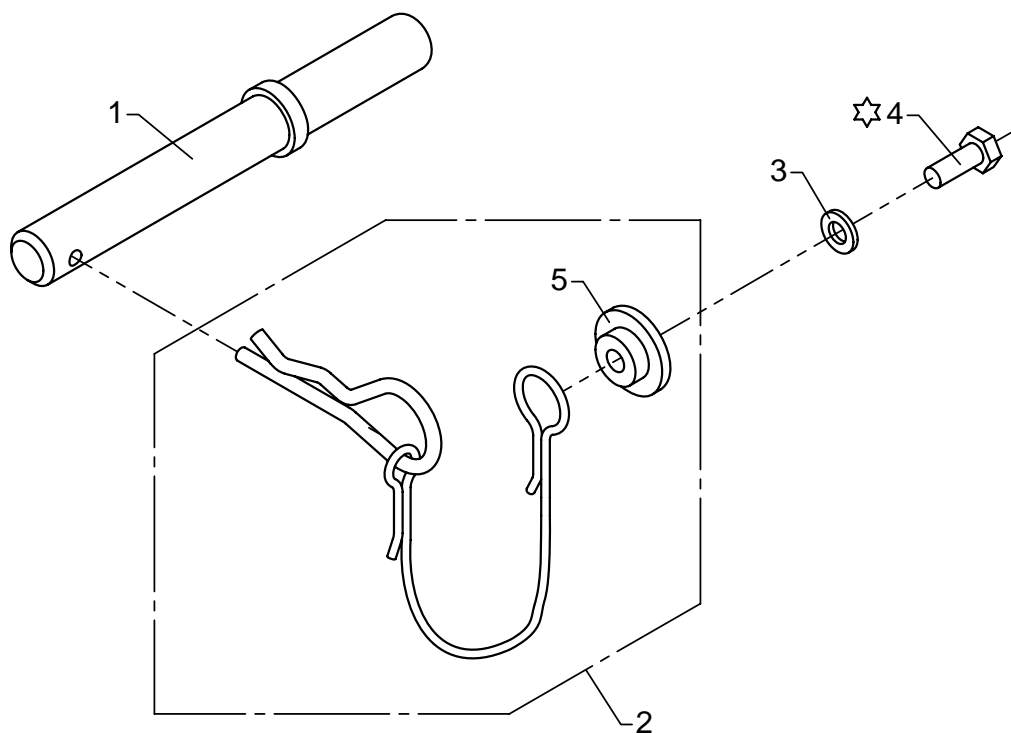
Created: 01.06.2005

Modified:

Item no.	Qty.	Part no.	Description	Remarks
1	1	1330205	Lock pin	
2	1	33367	Spring	6884924
3	1	1320221	Lever	
4	1	31586	Retaining pin, stainless	ø5 x 30
5	1	31318	Lubricator	1/8" RG

3.2/23

Intern ref.: 1320180



☆ Loctite 243

Lock bolt for stabilizer leg

As from / To loader no.: 68 00 01/

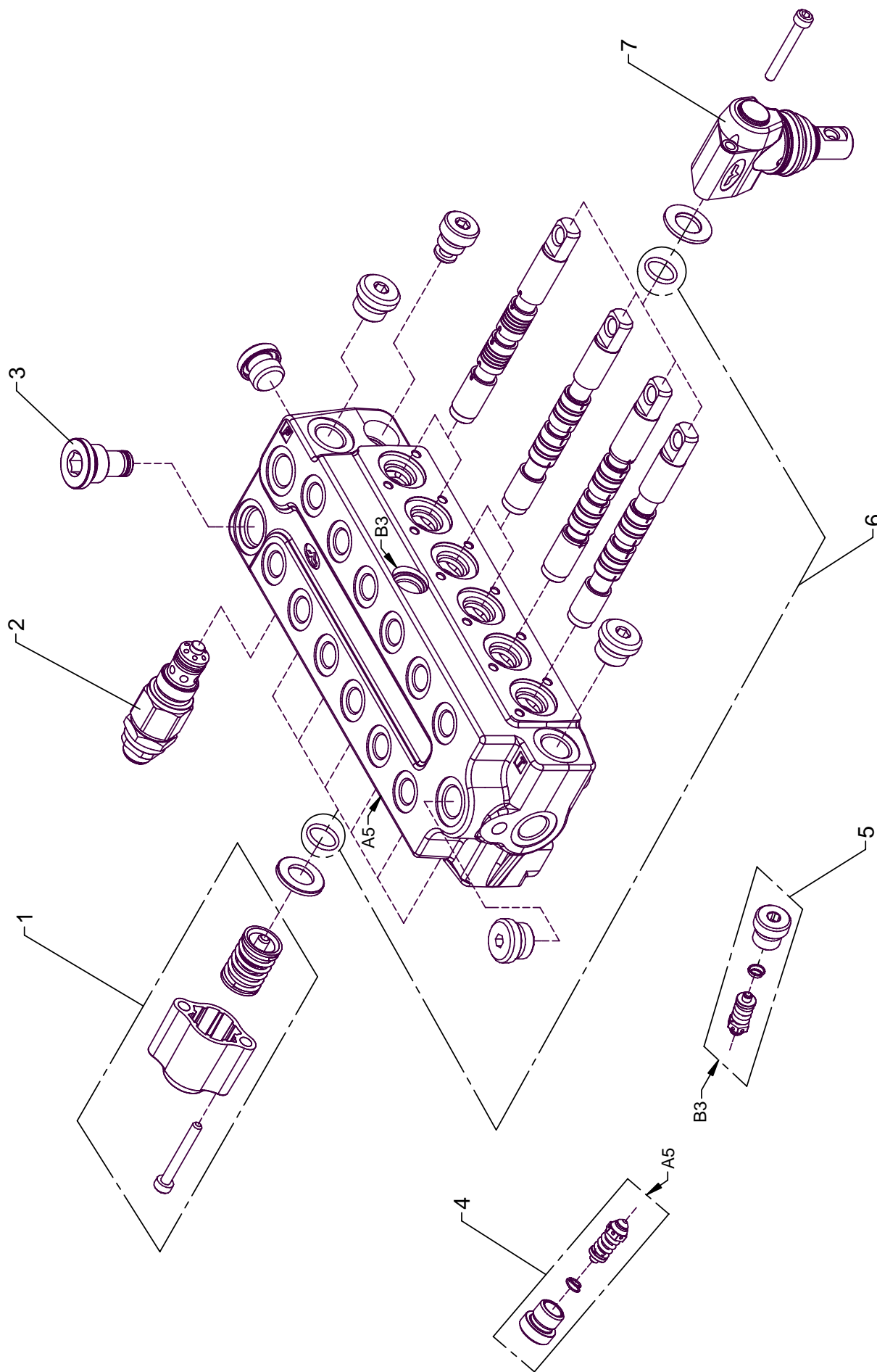
Created: 01.06.2005

Modified:

Item no.	Qty.	Part no.	Description	Remarks
1	1	1320225	Pin	
2	1	1320250	Wire, cpl.	
3	1	32302	Face washer, stainless	6 mm
4	1	30112	Set screw, stainless	M6 x 16
5		6323904	Chain attachment	

3.2/23

Intern ref.: 59798



Valve block SDM081

As from / To loader no.:68 00 01 /

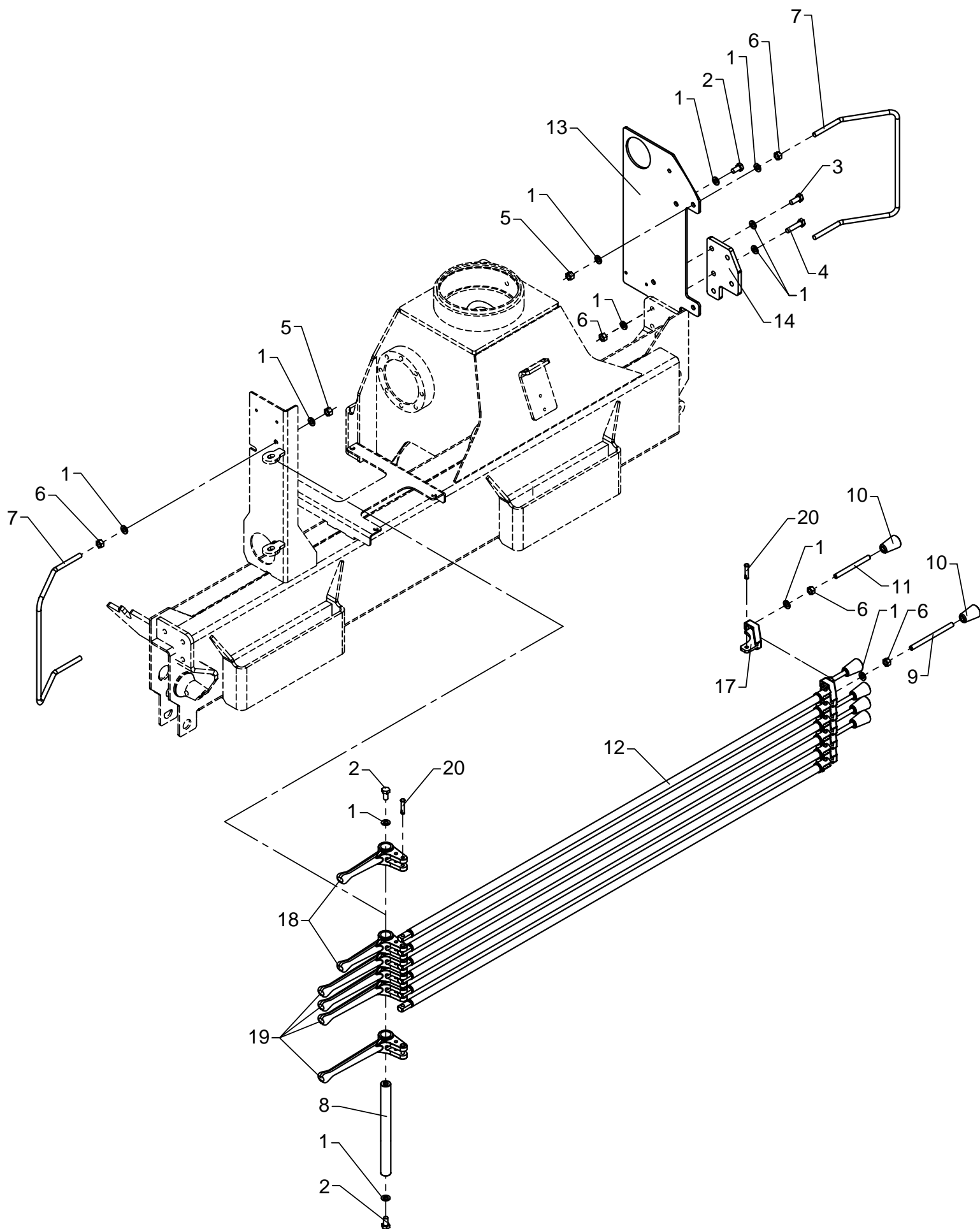
Created: 01.06.2005

Modified:

Item no.	Qty.	Part no.	Description	Remarks
1	1	55231	Cover with spring kit	
2	1	55232	Main relief valve	
3	1	55233	Plug	
4	1	55234	Anitscock valve	250 Bar
5	1	55236	Anitscock valve	120 Bar
6	1	55238	O-ring	
7	1	55235	Bracket for lever	

3.2/23

Intern ref.: 1330270



Valve bracket and dual control

As from / To loader no.:68 00 01 /

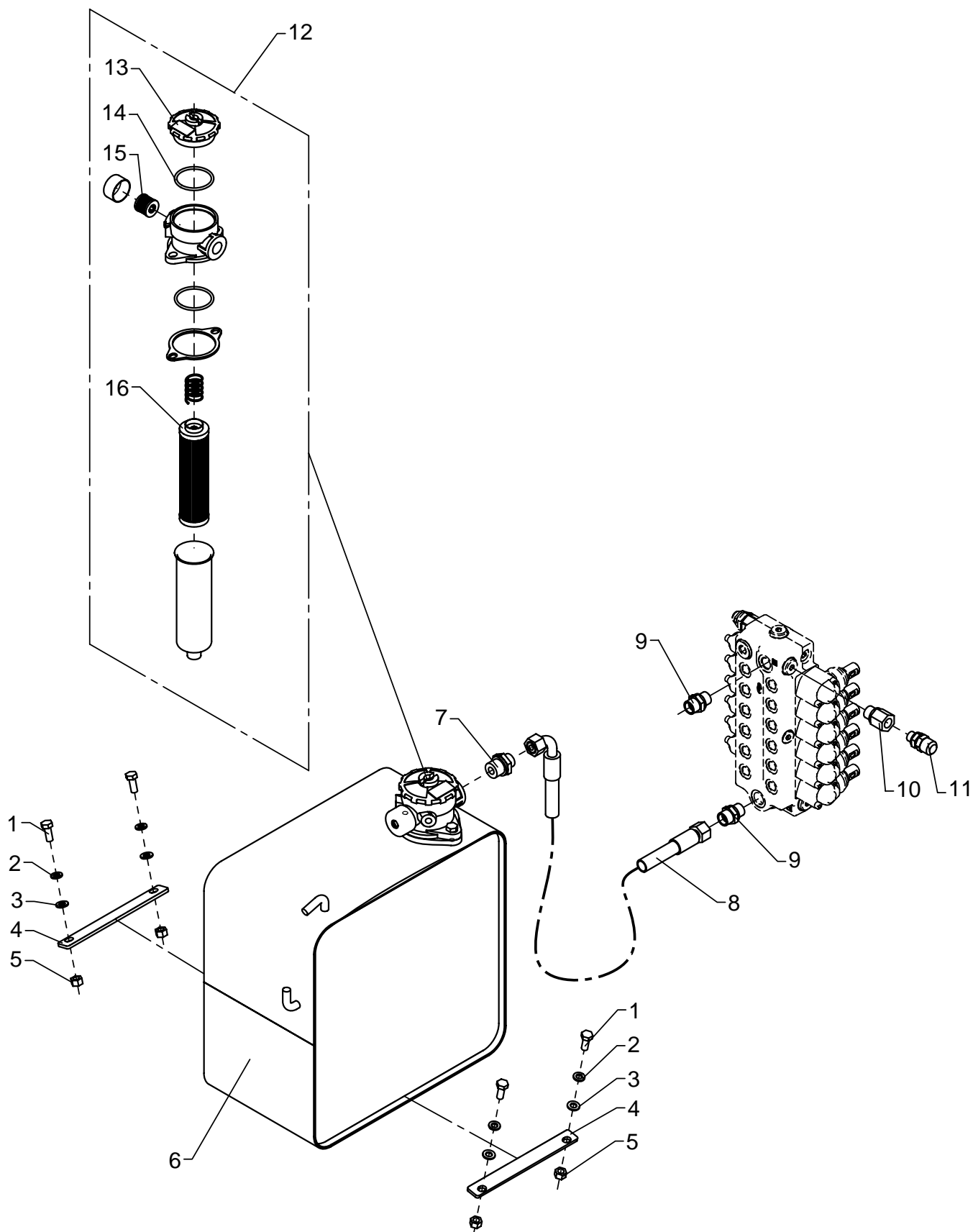
Created: 01.06.2005

Modified: 15.05.2006

Item no.	Qty.	Part no.	Description	Remarks
1	24	31147	Washer, stainless	8 mm
2	3	30131	Set screw, stainless	M8 x 16
3	1	30132	Set screw, stainless	M8 x 20
4	3	30136	Steel bolt, stainless	M8 x 35
5	4	30886	Lock nut, stainless	M8
6	13	30856	Nut, stainless	M8
7	2	1330184	Clamp	
8	1	1320237	Pin, 6 sect.	
9	4	1330187	Control lever, long, straight	
10	6	59224	Knob for lever	
11	2	1330185	Control lever, short, straight	
12	6	1330271	Connecting rod	
13	1	1330182	Valve bracket	
14	1	1330183	Plate for valve bracket	
17	6	63450	Adapter for dual controls	
18	2	63446	Lever for dual controls	
19	4	63445	Lever for dual controls	
20	12	63468	Split pin with spring lock	

3.2/23

Intern ref.: 1320800



Pump circuit incl. tank

As from / To loader no.:68 00 01 /

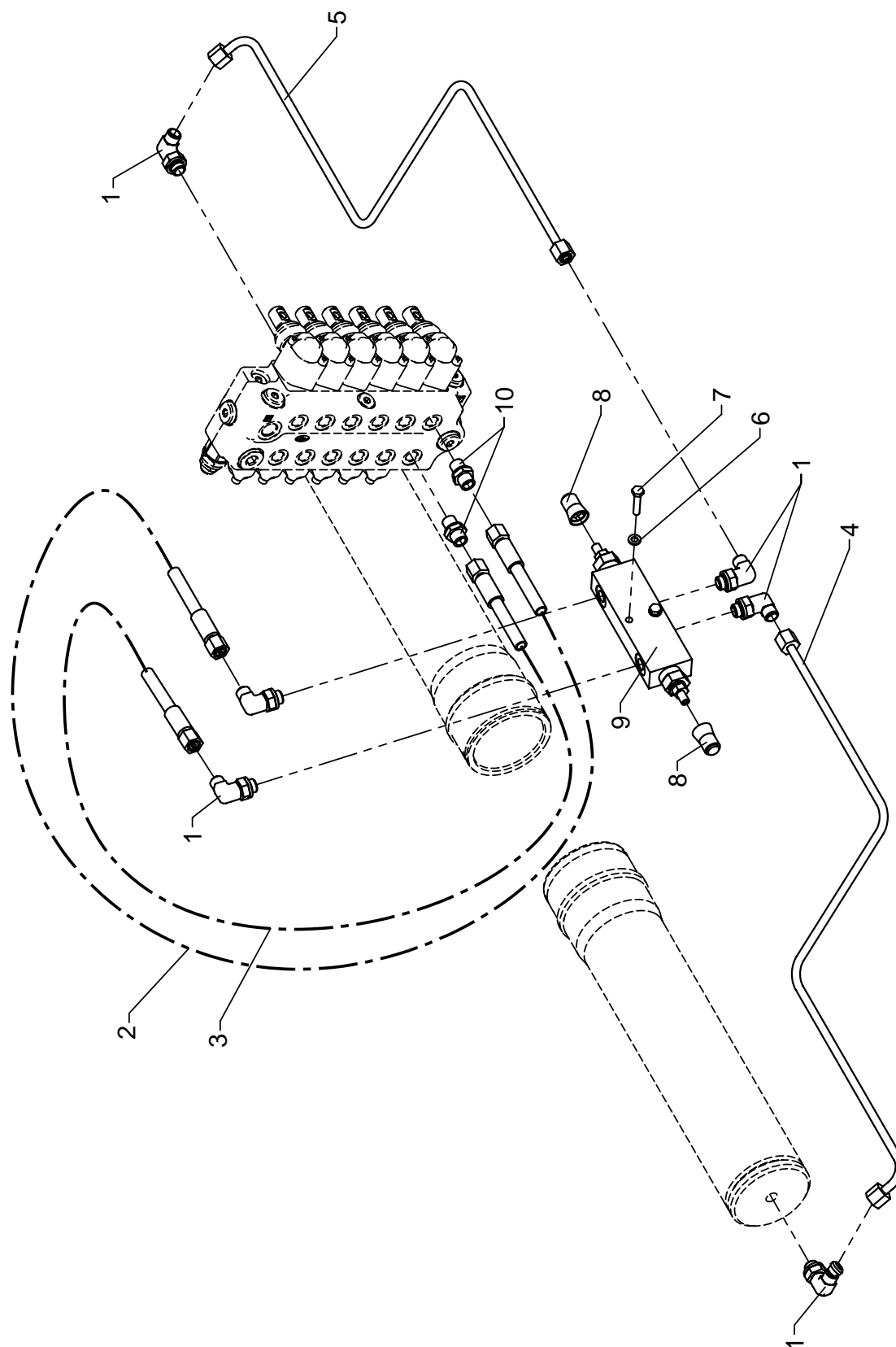
Created: 01.06.2005

Modified: 16.05.2006

Item no.	Qty.	Part no.	Description	Remarks
1	4	30132	Set screw, stainless	M8 x 20
2	4	31155	Spring washer	8 mm
3	4	31147	Washer, stainless	8 mm
4	2	1330177	Fittings	
5	4	30886	Lock nut, stainless	M8
6	1	59336	Oil tank cpl. incl. filter	
7	1	25108	Connection	GES 12 L/R 1/2-WD
8	1	0017300	Hose	3/8" x 850 v/o
9	2	25127	Connection	GES 12 LR-WD
10	1	25225	Reducing connection	RED-R 3/8-WD/R 1/4
11	1	26103	Pressure-gauge connect.	
12		58401	Return filter	
13		58404	Cover	
14		20235	O-Ring	
15		58403	Air filter	
16		58402	Filter cartridge	

3.2/23

Intern ref.: 1320710



Hydraulic system, slewing

As from / To loader no.:68 00 01 /

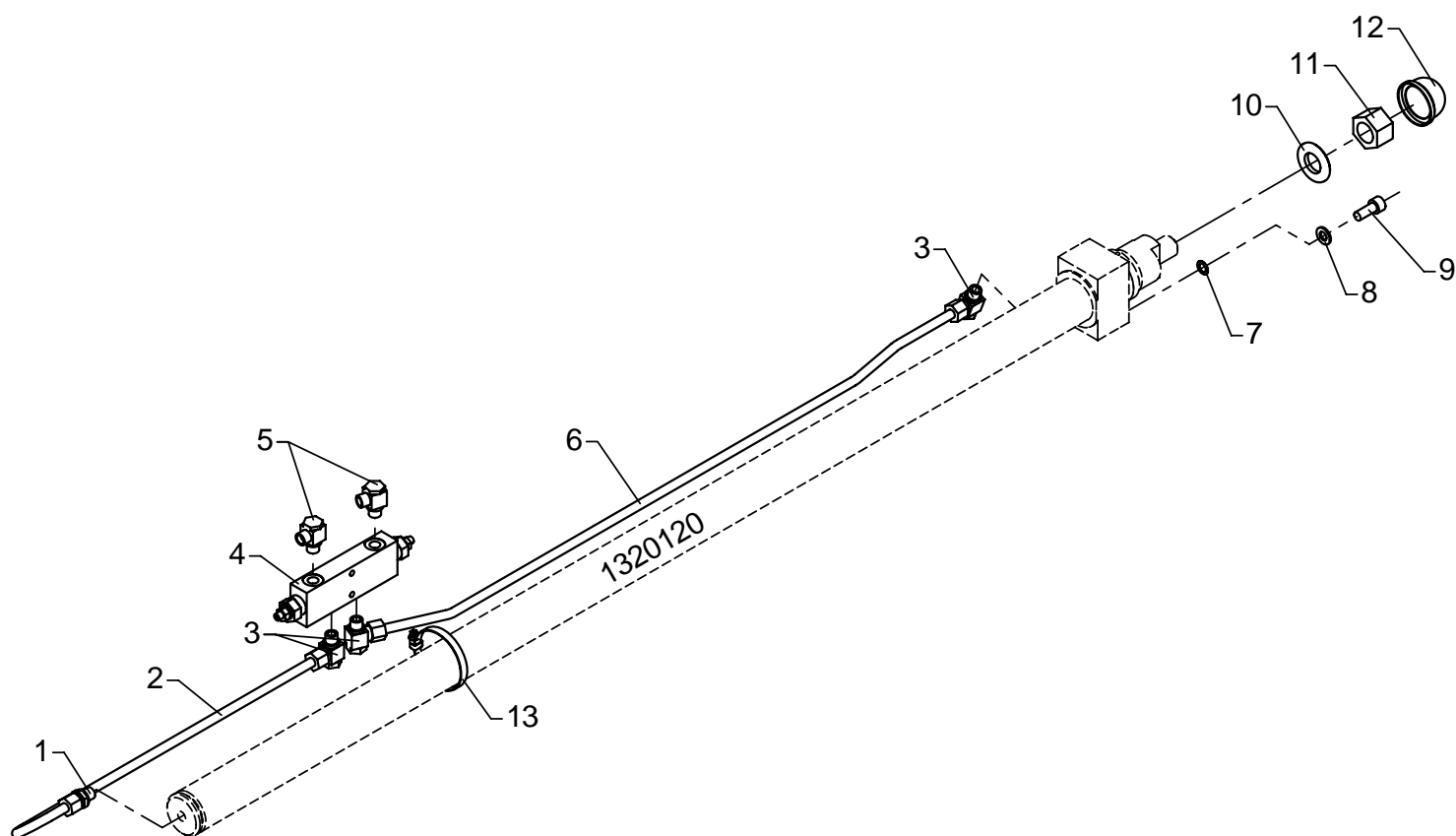
Created: 01.06.2005

Modified:

Item no.	Qty.	Part no.	Description	Remarks
1	6	26898	Elbow connection	
2	1	56321	Hose	1/4 x 300 L/L
3	1	62498	Hose	1/4 x 370 L/L
4	1	1320375	Pipe, short	
5	1	1320359	Pipe, short	
6	2	32302	Face washer, stainless	6 mm
7	2	30115	Steel bolt, stainless	M6 x 30
8	2	59048	Rubber cover	
9	1	58481	Doubel valve	
10	2	25109	Connection	GES 8 LR-WD

3.2/23

Intern ref.: 1320290



Fittings, extension cylinder, K1

As from / To loader no.:68 00 01

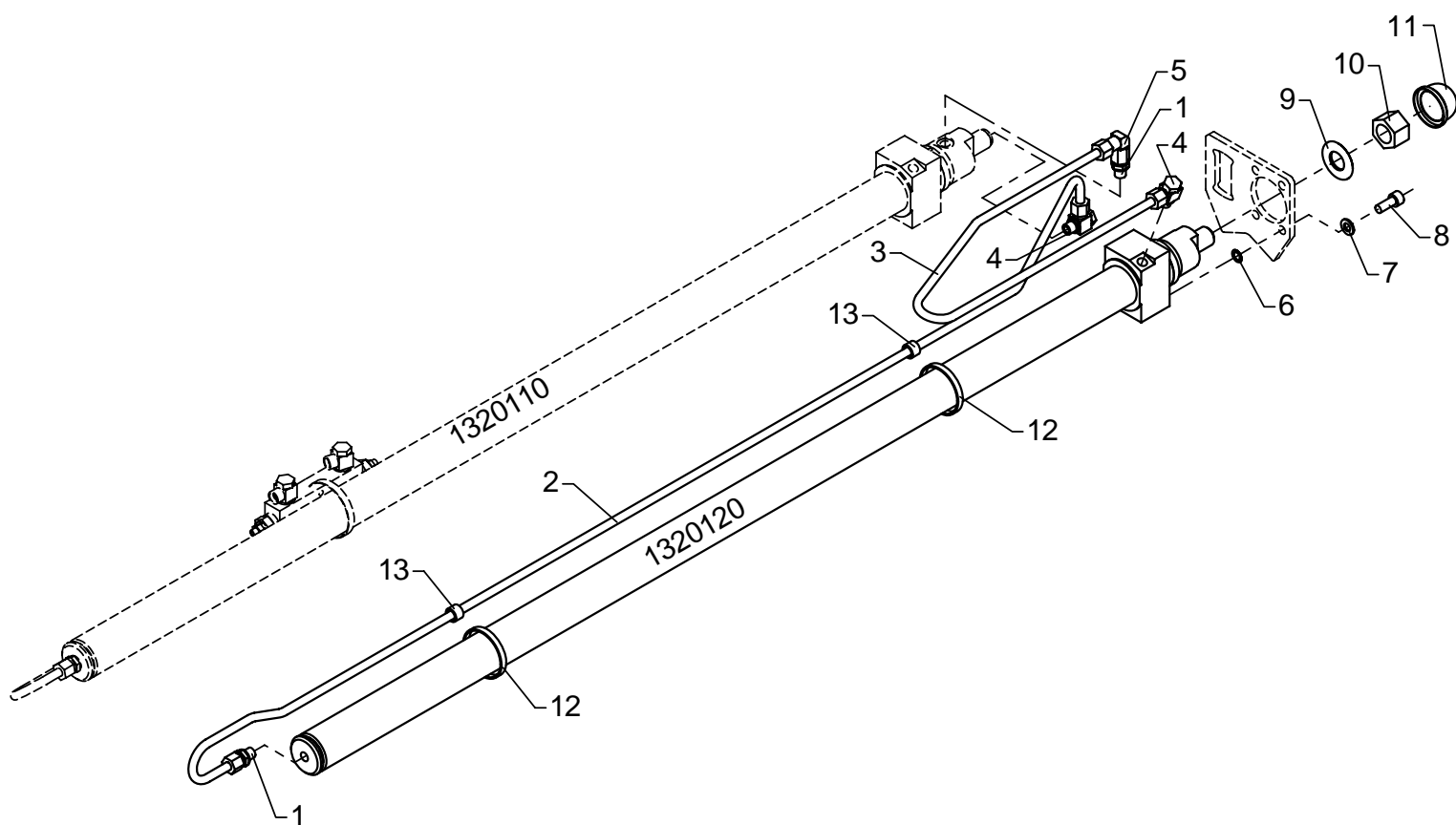
Created: 01.06.2005

Modified: 16.05.2006

Item no.	Qty.	Part no.	Description	Remarks
1	1	25121	Connection	GEV 10 LR-WD
2	1	1320258	Pipe, K1 extend	
3	3	25123	Banjo connection	P-RSWV 10 LR
4	1	58482	Doubel valve	
5	2	25113	Banjo connection	RSWV 8 LR
6	1	1320257	Pipe, K1 retract	
7	8	31765	Washer	PS 10 x 16 x 0,2
8	4	31565	Washer, stainless	10 mm
9	4	30453	Screw	MC10 x 25
10	1	1320171	Washer	
11	1	31051	Lock nut	M24 x 2
12	1	64380	Cover for nut	
13	1	31500	Clip	

3.2/23

Intern ref.: 1320300



Fittings, extension cylinder, K2

As from / To loader no.:68 00 01 /

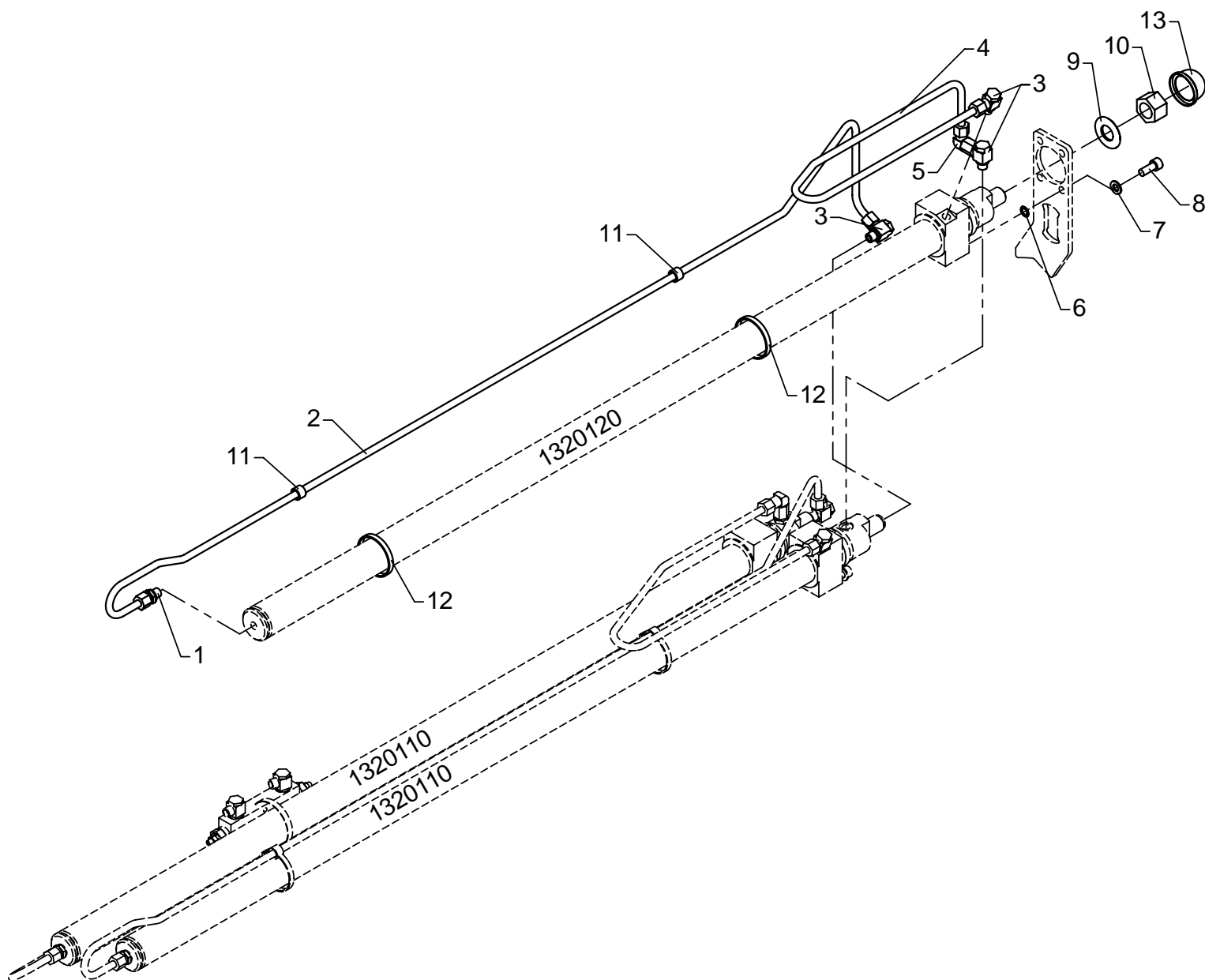
Created: 01.06.2005

Modified:

Item no.	Qty.	Part no.	Description	Remarks
1	2	25121	Connection	GEV 10 LR-WD
2	1	1320261	Pipe, K2 extend	
3	1	1320259	Pipe, K2 retract	
4	2	25123	Banjo connection	P-RSWV 10 LR
5	1	25120	Elbow connection	P-EWV 10 L-SV
6	8	31765	Washer	PS 10 x 16 x 0,2
7	4	31565	Washer, stainless	10 mm
8	4	30453	Screw	MC10 x 25
9	1	1320171	Washer	
10	1	31051	Lock nut	M24 x 2
11	1	64380	Cover for nut, black	
12	2	27275	Clip	
13	2	62493	Plastic hose	12 mm

3.2/23

Intern ref.: 1320310



Fittings, extension cylinder, K3

As from / To loader no.:68 00 01 /

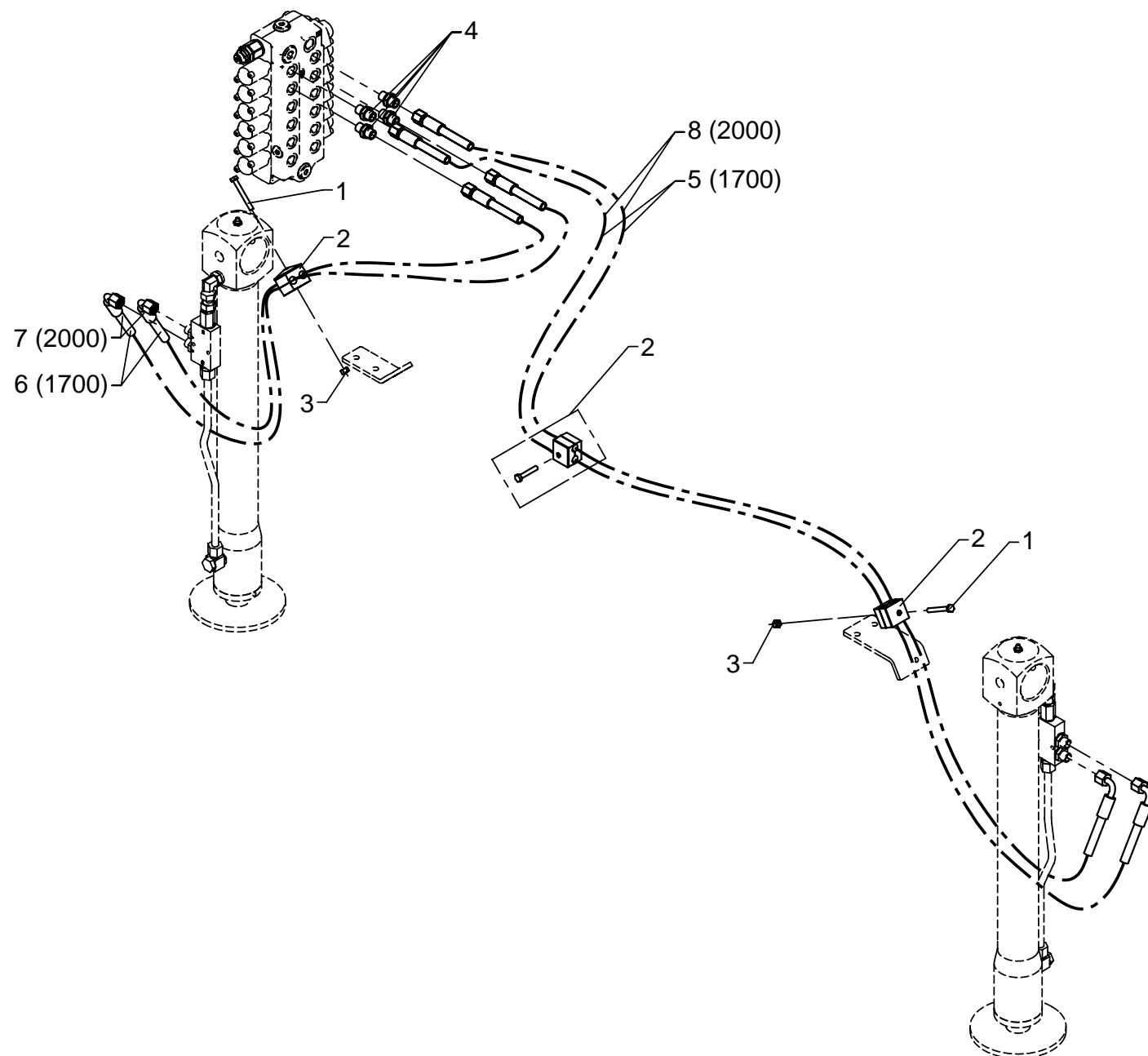
Created: 01.09.2005

Modified:

Item no.	Qty.	Part no.	Description	Remarks
1	1	25121	Connection	GEV 10 LR-WD
2	1	1320263	Pipe, K3 extend	
3	3	25123	Banjo connection	P-RSWV 10 LR
4	1	1320262	Pipe, K3 retract	
5	1	25120	Elbow connection	P-EWV 10 L-SV
6	8	31765	Washer	PS 10 x 16 x 0,2
7	4	31565	Washer, stainless	10 mm
8	4	30453	Screw	MC10 x 25
9	1	1320171	Washer	
10	1	31051	Lock nut	M24 x 2
11	2	62493	Plastic hose	12 mm
12	2	27275	Clip	
13	1	64380	Cover for nut, black	

3.2/23

Intern ref.: 1320730



Hydraulic system, stabilizers

As from / To loader no.:68 00 01 /

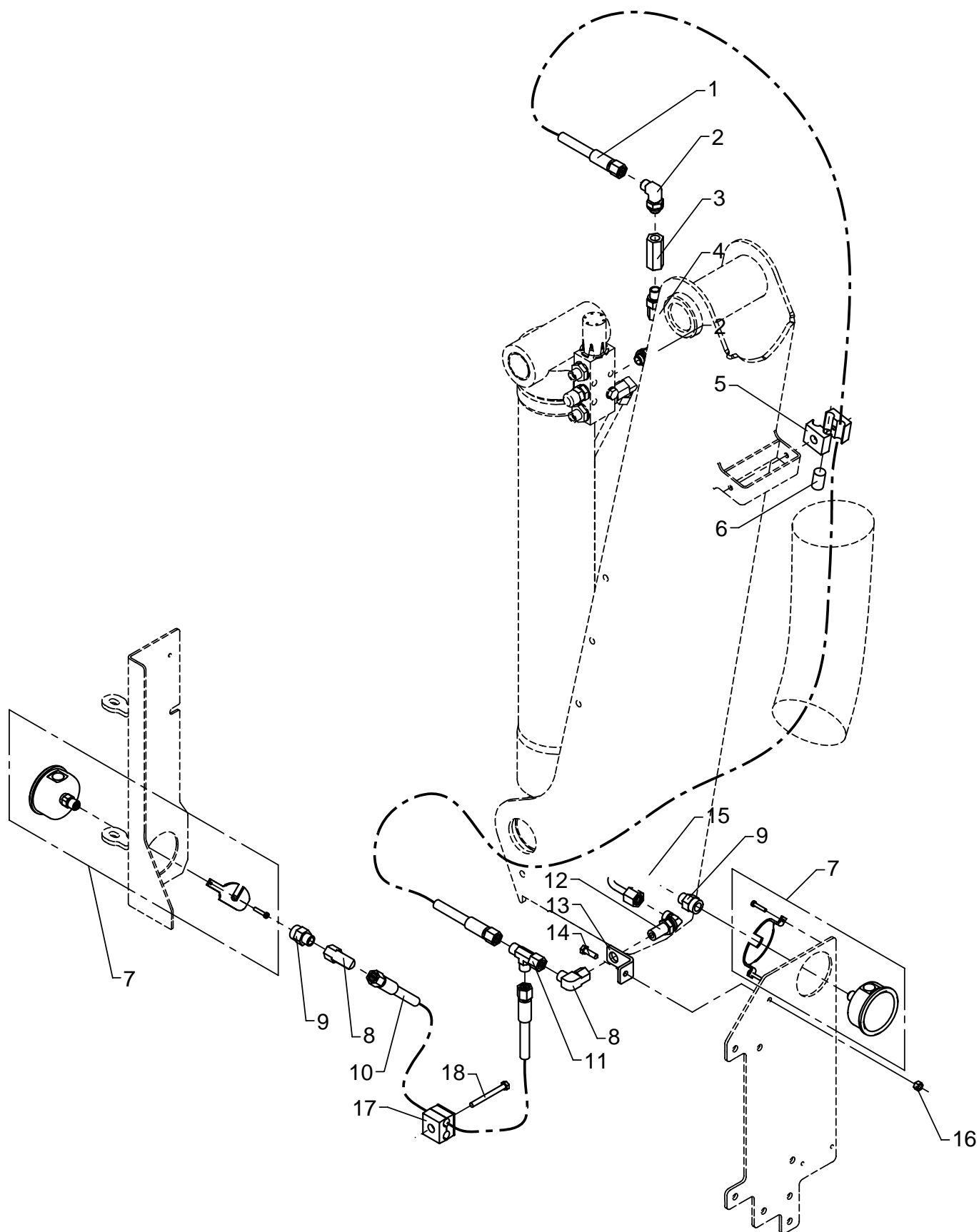
Created: 01.06.2005

Modified:

Item no.	Qty.	Part no.	Description	Remarks
1	2	30119	Steel bolt, stainless	M6 x 50
2	3	31418	Clamp, double	2 x 12 mm
3	2	30884	Lock nut, stainless	M6
4	4	25109	Connection	GES 8 LR-WD
5	2	56283	Hose	1/4 x 2800 L/90
6	2	62496	Hose	1/4 x 1600 L/90
7	2	56411	Hose	1/4 x 1900 L/90
8	2	62621	Hose	1/4 x 3150 L/90

3.2/23

Intern ref.: 1330340



Load indicator

As from / To loader no.:68 00 01 /

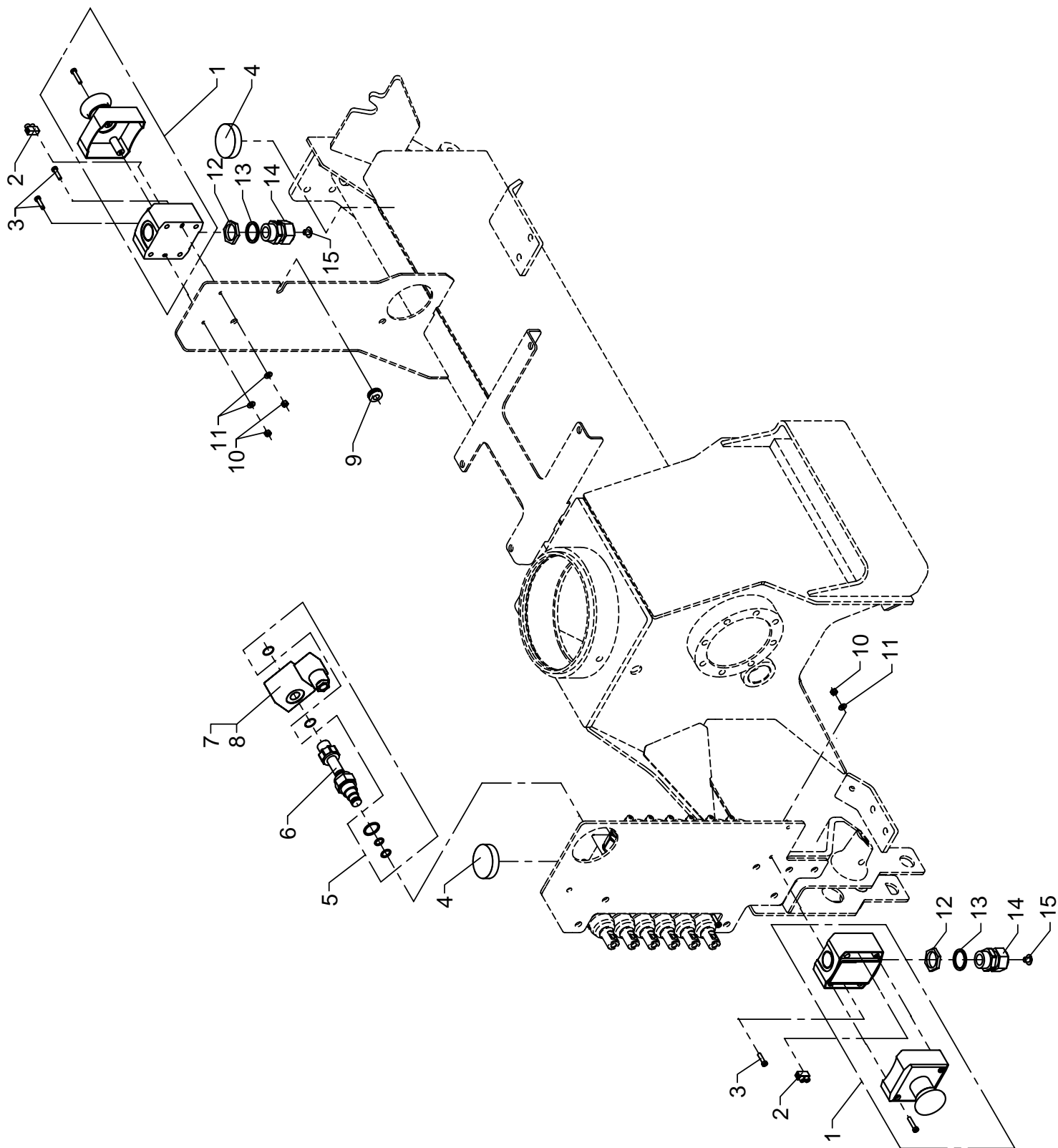
Created: 01.06.2005

Modified:

Item no.	Qty.	Part no.	Description	Remarks
1	1	62553	Hose	1/4 X 2000 L/L
2	2	26898	Elbow connection	
3	1	1330211	Housing + hose failure valve	
4	1	26104	Connection	EGESD 8 LR-WD
5	1	31846	Clamp	
6	1	1282544	Rubber plug	
7	2	60931	Pressure gauge	
8	2	26170	Elbow connection	EWSD 8 L
9	2	26106	Connection	P-MAV 8 LR
10	1	62619	Hose	1/4 X 1500 L/L
11	1	25249	Connection	ELVD 8 L
12	1	26864	Connection	ETXS 8 JIC
13	1	1330191	Fittings	
14	1	30113	Set screw, stainless	M6 x 20
15	1	1330204	Pipe	
16	1	30884	Lock nut, stainless	M6
17	1	31418	Clamp, double	2 x 12 mm
18	1	30120	Steel bolt, stainless	M6 x 60

3.2/23

Intern ref.: 1330350



Emergency stop kit

As from / To loader no.:68 00 01 /

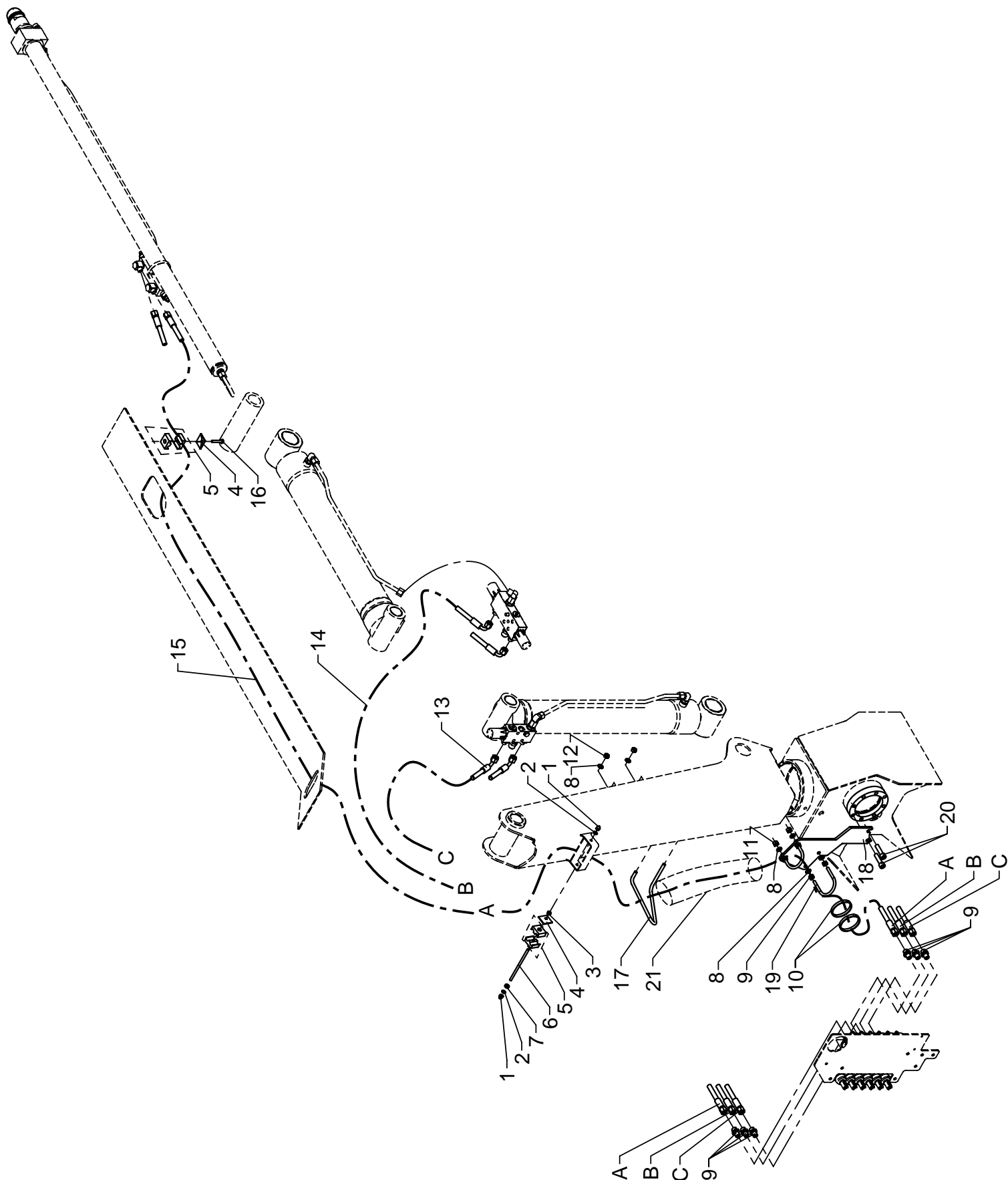
Created: 01.06.2005

Modified:

Item no.	Qty.	Part no.	Description	Remarks
1	2	28992	Emergency stop box	
2	2	27281	Terminal block	
3	4	30794	Screw	M4 x 16
4	2	59643	Bubble level	
5	1	61779	Seal kit	
6	1	59020	Magnetic cartridge	
7	1	61777	Solenoid	12V
8	1	61778	Solenoid	
9	1	27996	Lead-in	
10	4	30857	Lock nut	M4
11	4	31188	Washer, stainless	4 mm
12	2	28080	Nut	M12
13	2	28403	Sealing ring	
14	2	28123	Connection	PG 16
15	2	64507	Plastic plug	

3.2/23

Intern ref.:1330250 + 1320740



Hydraulic system, boom, jib and extension cylinders C=6 o'clock

As from / To loader no.:68 00 01 /

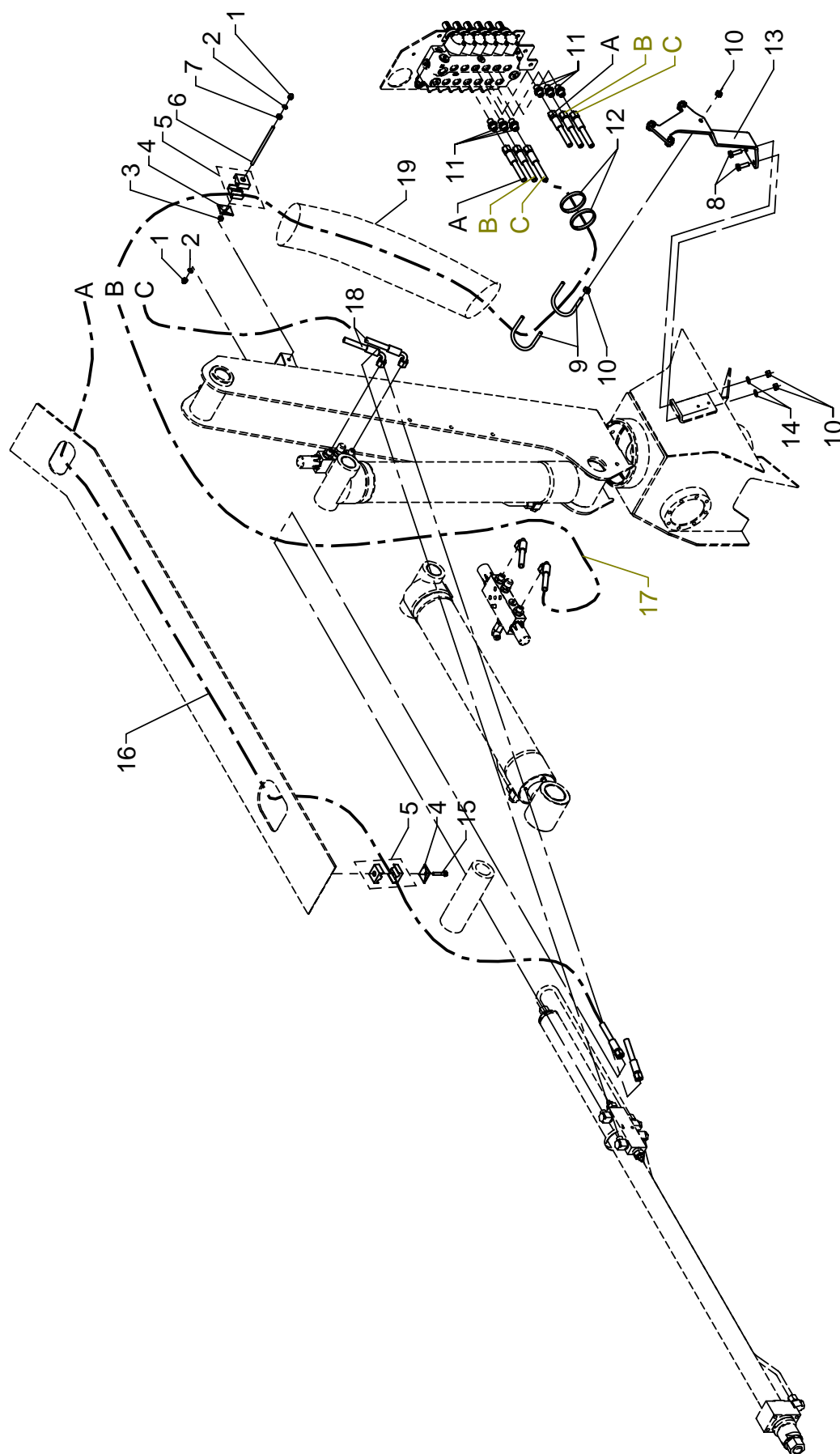
Created: 01.06.2005

Modified:

Item no.	Qty.	Part no.	Description	Remarks
1	2	64289	Nut	M6
2	2	32302	Face washer, stainless	6 mm
3	1	30854	Nut, stainless	M6
4	4	31847	Cover	
5	4	31846	Clamp	
6	1	1320229	Spacer	
7	2	27274	Clip	
8	10	31147	Washer, stainless	8 mm
9	6	25109	Connection	GES 8 LR-WD
10	2	27275	Clip	
11	4	30886	Lock nut, stainless	M8
12	6	30856	Nut, stainless	
13	2	56282	Hose	1/4 X 2300 L/90
14	2	56283	Hose	1/4 X 2800 L/90
15	2	56285	Hose	1/4 X 4470 L/L
16	1	30116	Steel bolt, stainless	M6 x 35
17	1	1320285	Clamp	
18	1	1320358	Hose bracket C=3, 6, 9 o'clock	
19	2	31419	Clamp	
20	2	30456	Screw	MC10 x 40
21	1	62598	Protective cover	

3.2/23

Intern ref.:1330250 + 1320750



Hydraulic system, boom, jib and extension cylinders C=12 o'clock

As from / To loader no.: 68 00 01 /

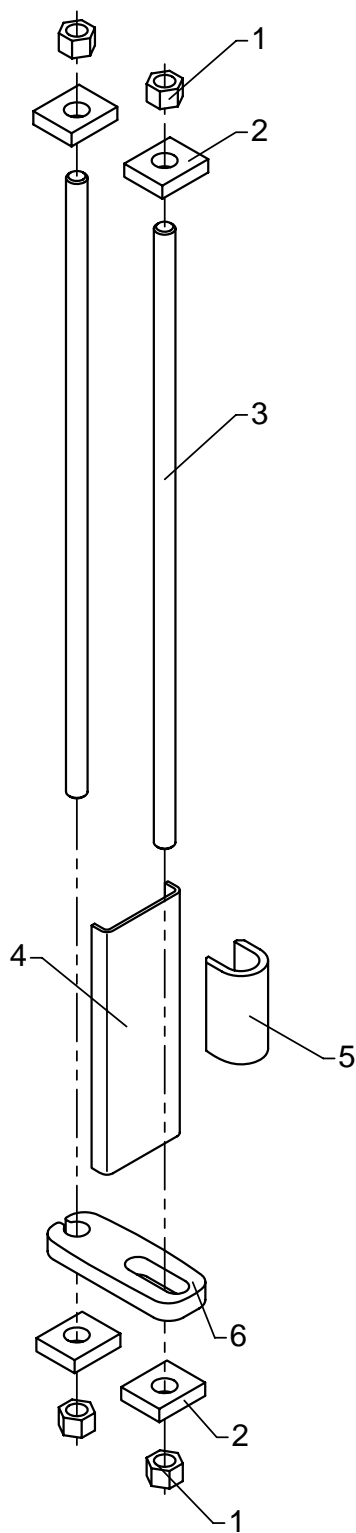
Created: 01.06.2005

Modified:

Item no.	Qty.	Part no.	Description	Remarks
1	2	64289	Nut	M6
2	2	32302	Face washer, stainless	6 mm
3	1	30854	Nut, stainless	M6
4	4	31847	Cover	
5	4	31846	Clamp	
6	1	1320229	Spacer	
7	2	27274	Clip	
8	2	30134	Set screw, stainless	M8 x 25
9	2	31419	Clamp	
10	10	30856	Nut, stainless	
11	6	25109	Connection	GES 8 LR-WD
12	2	27275	Clip	
13	1	1330166	Hose bracket	
14	2	31147	Washer, stainless	8 mm
15	1	30116	Steel bolt, stainless	M6 x 35
16	2	56285	Hose	1/4 x 4470 L/L
17	2	56283	Hose	1/4 x 2800 L/90
18	2	56282	Hose	1/4 x 2300 L/90
19	1	62598	Protective cover	

3.2/23

Intern ref.: 1320380



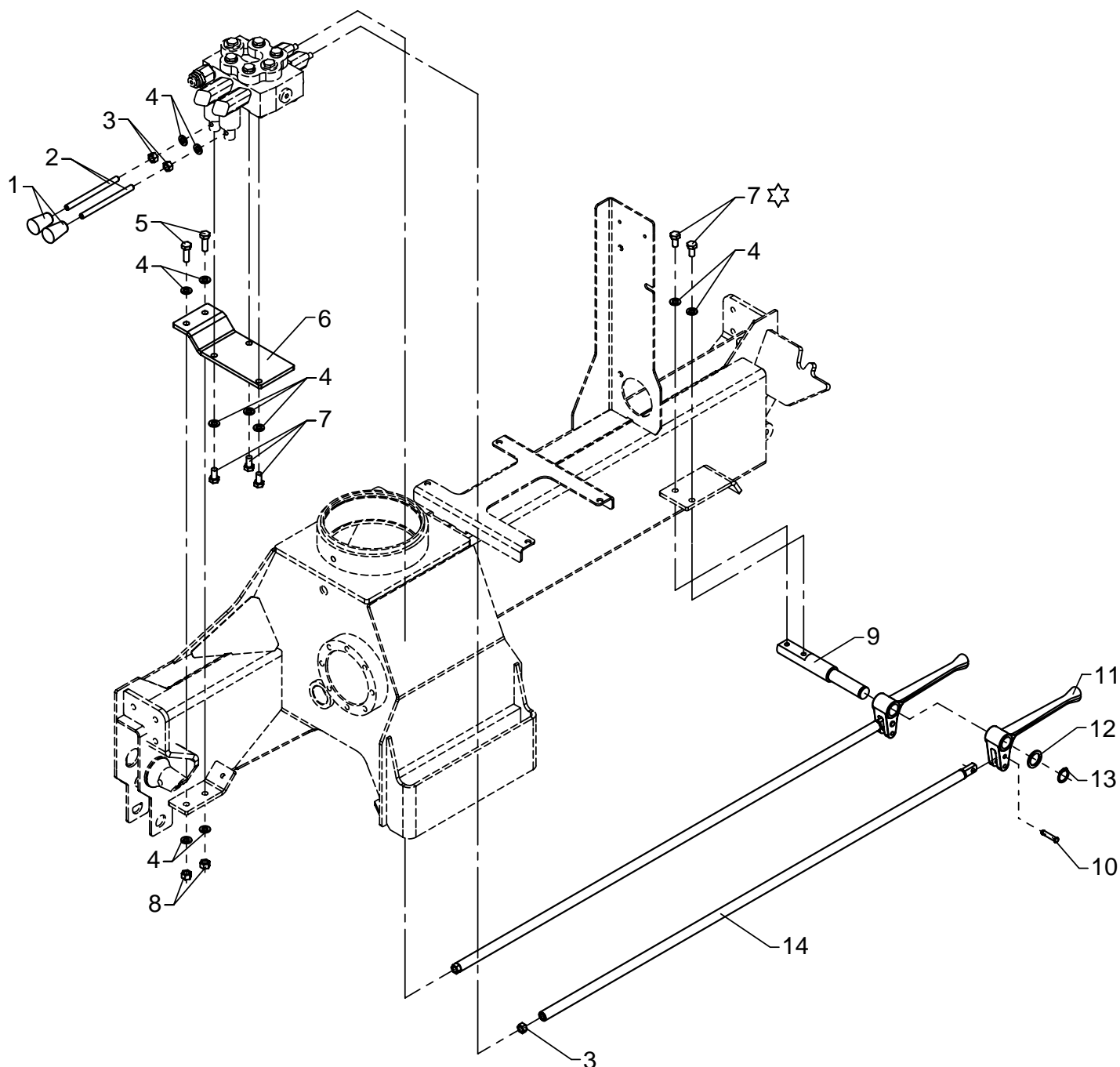
Mounting fittings

As from / To loader no.: 68 00 01/
Created: 01.06.2005
Modified:

Item no.	Qty.	Part no.	Description	Remarks
1	12	30894	Lock nut	M20
2	12	6657044	Washer	
3	6	66044	Pin	M20 x 700
4	3	1234544	U-section	
5	3	6659914	U-section	
6	3	1234534	Clamp	

3.2/23

Intern ref.: 1320780



☆ Loctite

Valve bracket + dual ctrl stab

As from / To loader no.:68 00 01 /

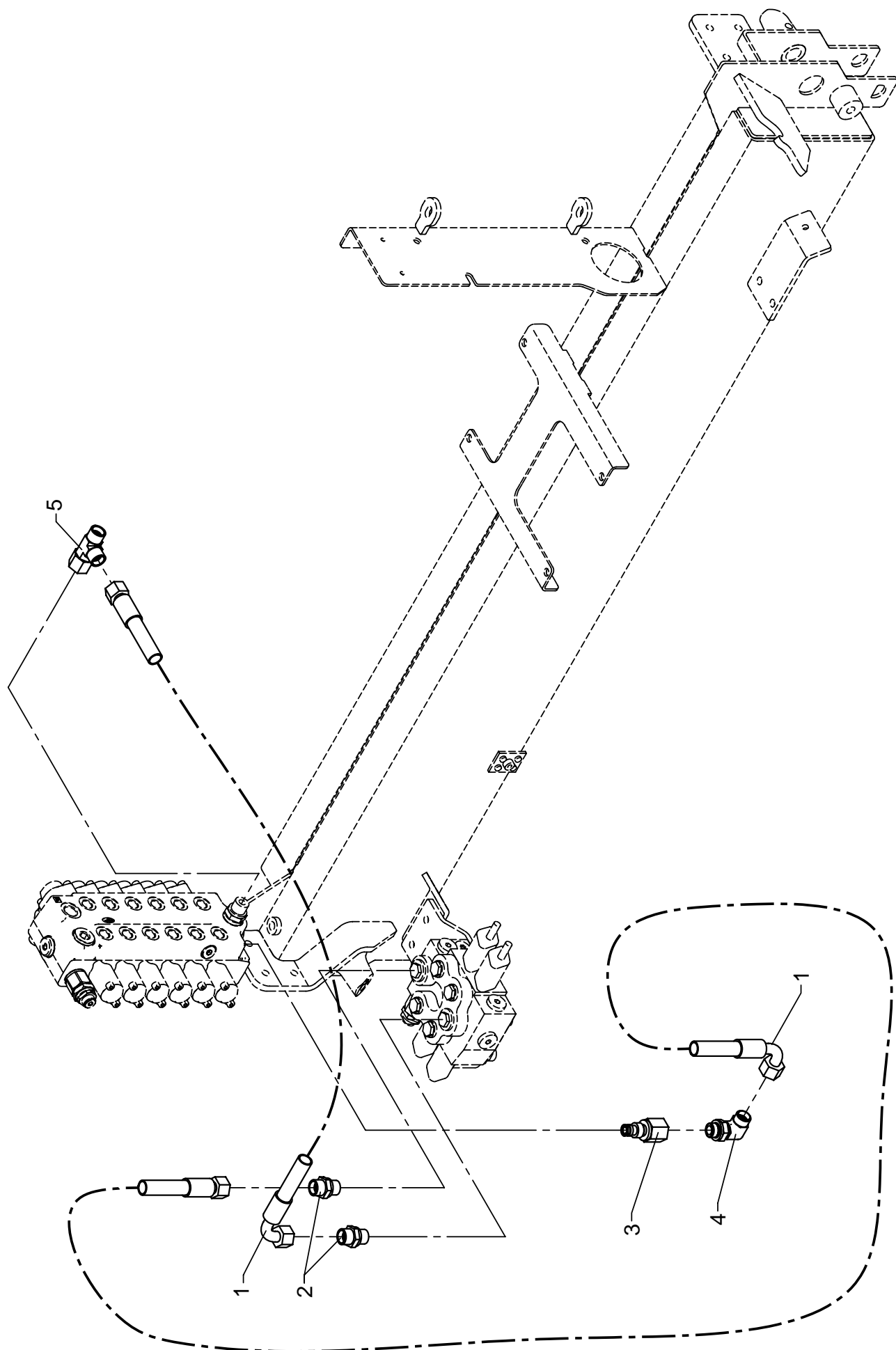
Created: 01.08.2005

Modified: 15.05.2006

Item no.	Qty.	Part no.	Description	Remarks
1	2	59224	Knob for lever	
2	2	1330187	Control lever, long, straight	
3	4	30856	Nut, stainless	
4	11	31147	Washer, stainless	8 mm
5	2	30134	Set screw, stainless	M8 x 25
6	1	1330207	Valve bracket, 2 sections	
7	5	30131	Set screw, stainless	M8 x 16
8	2	30886	Lock nut, stainless	M8
9	1	1330235	Pin	
10	2	63468	Split pin with spring lock	
11	2	63445	Lever for dual controls	
12	1	33227	Back ring	SS 20 x 28 x 2
13	1	33107	Circlip	19U
14	2	1320367	Connecting rod	

3.2/23

Intern ref.: 1320790



Series connection

As from / To loader no.:68 00 01 /

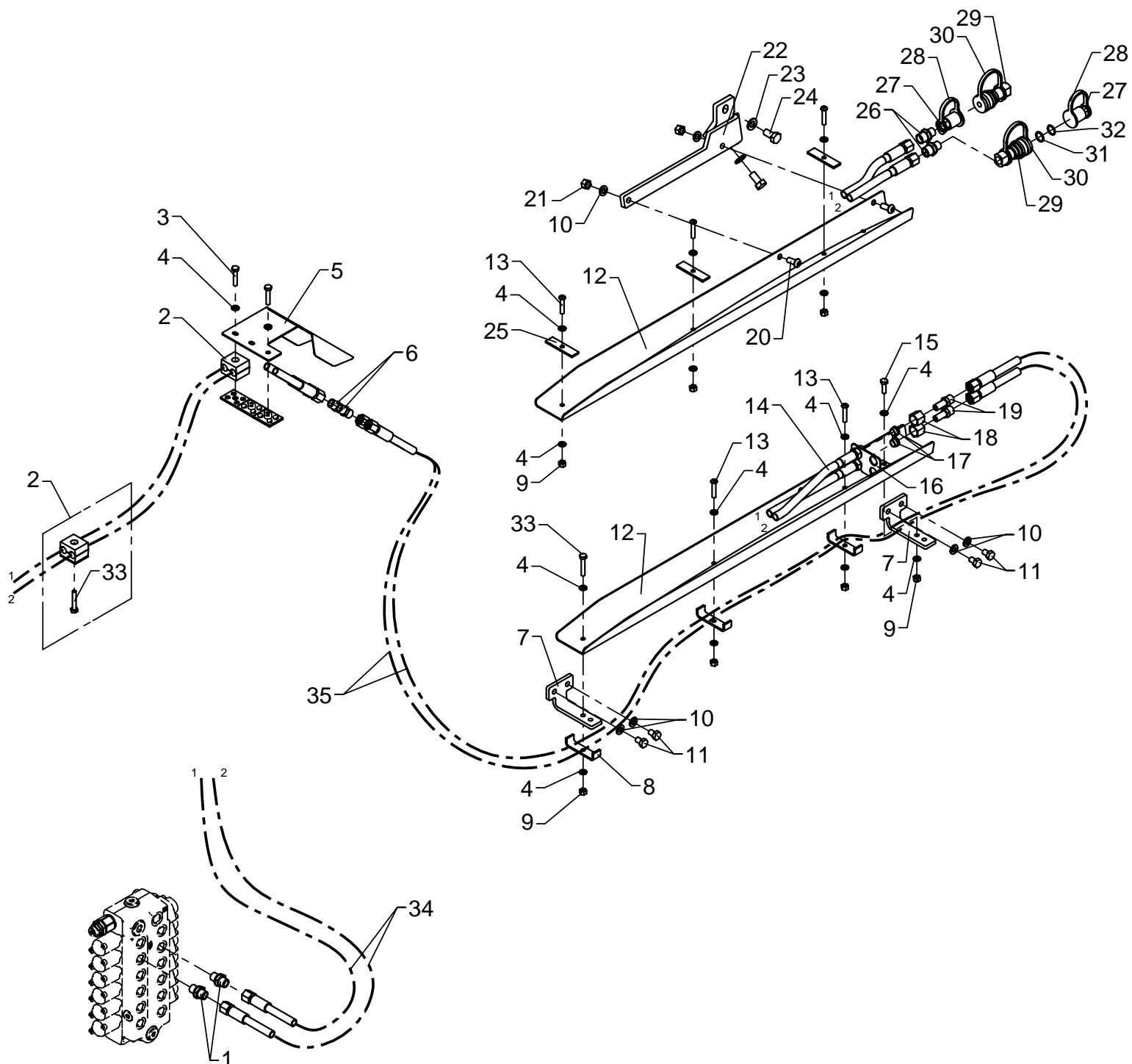
Created: 01.08.2005

Modified:

Item no.	Qty.	Part no.	Description	Remarks
1	2	0017710	Hose 3/8" x 350 mm v/o	3/8 x 350 v/o
2	2	25127	Connection	GES 12 LR-WD
3	1	55230	Series nipple	
4	1	26897	Elbow connection	
5	1	25270	Connection	ELSD 12 L

3.2/23

Intern ref.: 1320830



Hose kit, extra valves, K1-1

As from / To loader no.:68 00 01 /

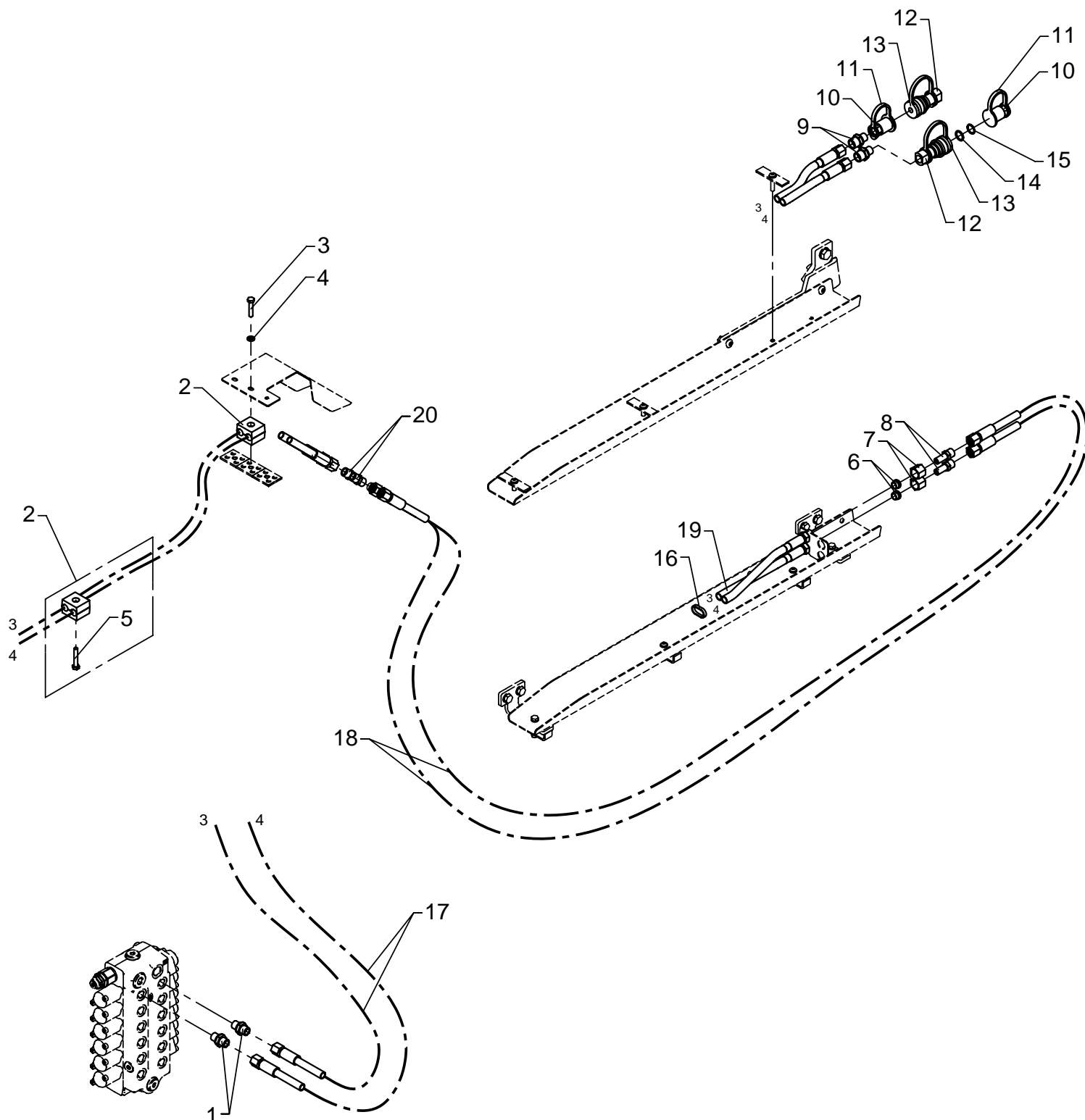
Created: 01.08.2005

Modified:

Item no.	Qty.	Part no.	Description	Remarks
1	2	25109	Connection	GES 8 LR-WD
2	2	31811	Clamp dobb.	2 x 13 mm
3	2	30115	Steel bolt, stainless	M6 x 30
4	16	32302	Face washer, stainless	6 mm
5	1	1320302	Shield	
6	2	25246	Double connection	GV 8 L
7	2	1320296	Fitting, jib	
8	3	1320299	Clamp	
9	7	30884	Lock nut, stainless	M6
10	6	31147	Washer, stainless	8 mm
11	4	30130	Set screw, stainless	M8 x 12
12	2	1320298	Hose guide	
13	5	32458	Screw	M6 x 30
14	1	56092	Double hose	1/4 x 1600 S/O
15	1	30113	Set screw, stainless	M6 x 20
16	1	24116	Fitting	
17	2	26116	Profile ring	R 10 L/S
18	2	25182	Coupling nut	M10 L
19	2	25272	Reducing connection	REDV 10/8 L
20	2	32322	Round-head screw	M8 x 20
21	2	30886	Lock nut, stainless	M8
22	1	1320291	Fitting, K1	
23	2	31177	Washer	10 mm
24	2	30154	Set screw	M10 x 20
25	3	1320301	Clamp	
26	2	25121	Connection	GEV 10 LR-WD
27	2	60697	Quick-release coupling M	1/4"
28	2	60699	Dust cap. F.	1/4"
29	2	60696	Quick-release coupling F	1/4"
30	2	60698	Dust cap. M.	1/4"
31	2	59826	O-ring	1/4"
32	2	59827	Back ring	1/4"
33	2	30116	Steel bolt, stainless	M6 x 35
34	2	56284	Hose	1/4 x 4230 L/L
35	2	62619	Hose	1/4 x 1500 L/L

3.2/23

Intern ref.: 1320840



Suppl. kit, extra valves, K1-2

As from / To loader no.:68 00 01 /

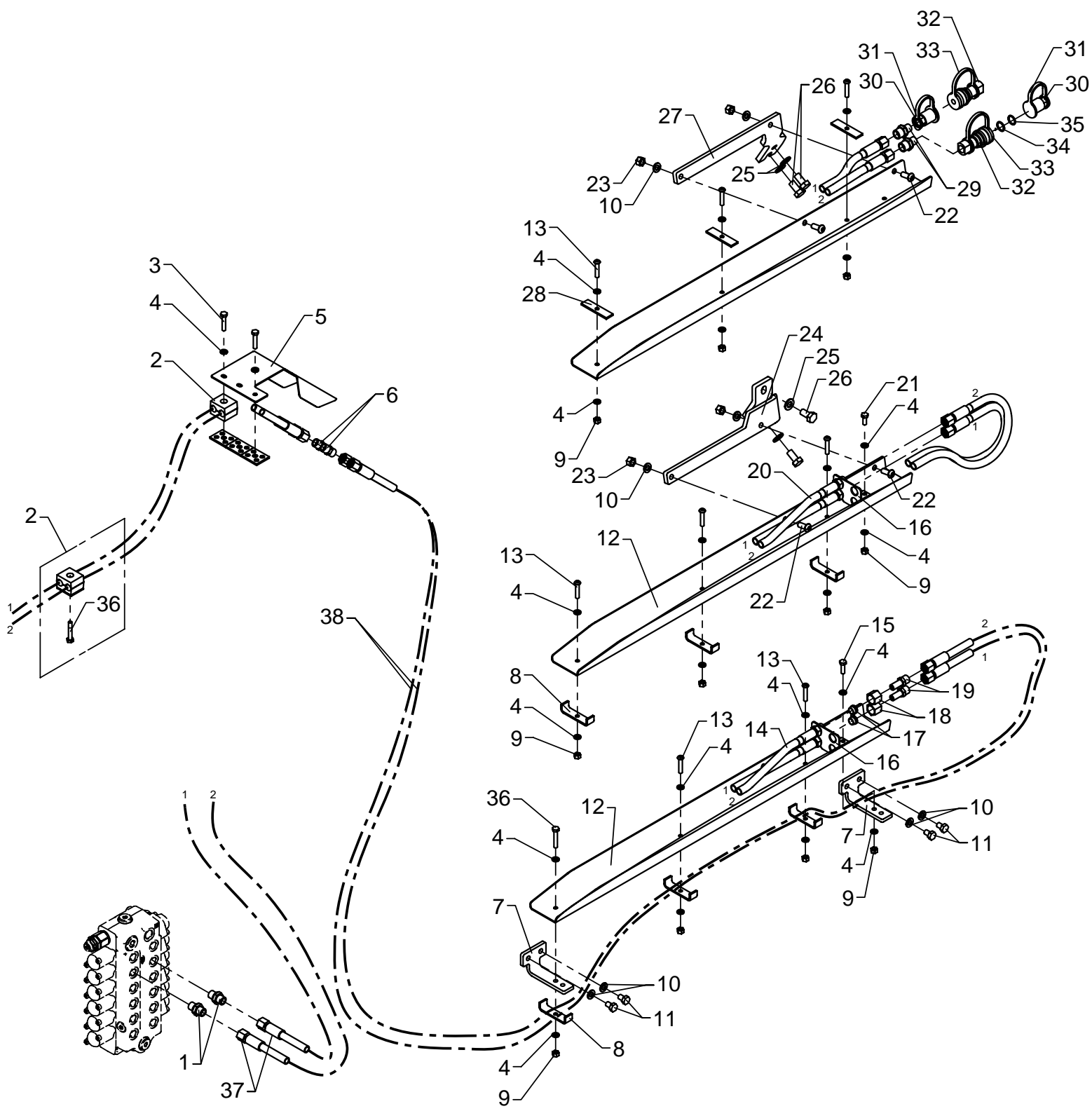
Created: 01.08.2005

Modified:

Item no.	Qty.	Part no.	Description	Remarks
1	2	25109	Connection	GES 8 LR-WD
2	2	31811	Clamp dobb.	2 x 13 mm
3	1	30115	Steel bolt, stainless	M6 x 30
4	15	32302	Face washer, stainless	6 mm
5	2	30116	Steel bolt, stainless	M6 x 35
6	2	26116	Profile ring	R 10 L/S
7	2	25182	Coupling nut	M10 L
8	2	25272	Reducing connection	REDV 10/8 L
9	2	25121	Connection	GEV 10 LR-WD
10	2	60697	Quick-release coupling M	1/4"
11	2	60699	Dust cap. F.	1/4"
12	2	60696	Quick-release coupling F	1/4"
13	2	60698	Dust cap. M.	1/4"
14	2	59826	O-ring	1/4"
15	2	59827	Back ring	1/4"
16	1	27274	Clip	
17	2	56284	Hose	1/4 x 4230 L/L
18	2	62619	Hose	1/4 x 1500 L/L
19	1	56092	Double hose	1/4 x 1600 S/O
20	2	25246	Double connection	GV 8 L

3.2/23

Intern ref.: 1320850



Hose kit, extra valves, K2-1

As from / To loader no.:68 00 01 /

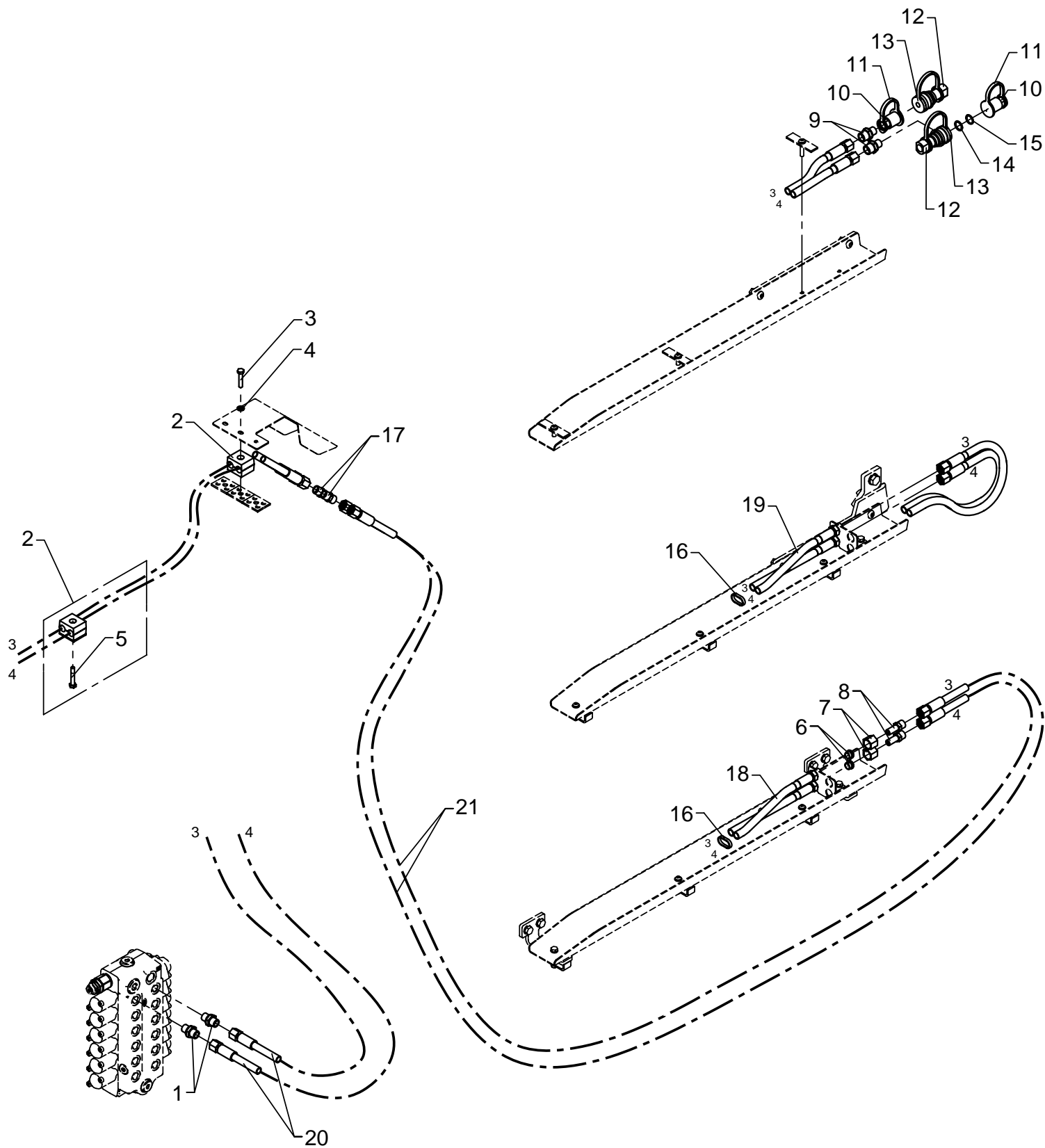
Created: 01.08.2005

Modified:

Item no.	Qty.	Part no.	Description	Remarks
1	2	25109	Connection	GES 8 LR-WD
2	2	31811	Clamp dobb.	2 x 13 mm
3	2	30115	Steel bolt, stainless	M6 x 30
4	24	32302	Face washer, stainless	6 mm
5	1	1320302	Shield	
6	2	25246	Double connection	GV 8 L
7	2	1320296	Fitting, jib	
8	6	1320299	Clamp	
9	11	30884	Lock nut, stainless	M6
10	8	31147	Washer, stainless	8 mm
11	4	30130	Set screw, stainless	M8 x 12
12	3	1320298	Hose guide	
13	8	32458	Screw	M6 x 30
14	1	56093	Double hose	1/4 x 2000 S/O
15	1	30113	Set screw, stainless	M6 x 20
16	2	24116	Fitting	
17	2	26116	Profile ring	R 10 L/S
18	2	25182	Coupling nut	M10 L
19	2	25272	Reducing connection	REDV 10/8 L
20	1	56092	Double hose	1/4 x 1600 S/O
21	1	30112	Set screw, stainless	M6 x 16
22	4	32322	Round-head screw	M8 x 20
23	4	30886	Lock nut, stainless	M8
24	1	1320291	Fitting, K1	
25	4	31177	Washer	10 mm
26	4	30154	Set screw	M10 x 20
27	1	1320294	Fitting, K2	
28	3	1320301	Clamp	
29	2	25121	Connection	GEV 10 LR-WD
30	2	60697	Quick-release coupling M	1/4"
31	2	60699	Dust cap. F.	1/4"
32	2	60696	Quick-release coupling F	1/4"
33	2	60698	Dust cap. M.	1/4"
34	2	59826	O-ring	1/4"
35	2	59827	Back ring	1/4"
36	2	30116	Steel bolt, stainless	M6 x 35
37	2	56284	Hose	1/4 x 4230 L/L
38	2	62619	Hose	1/4 x 1500 L/L

3.2/23

Intern ref.: 1320860



Suppl. kit, extra valves, K2-2

As from / To loader no.:68 00 01 /

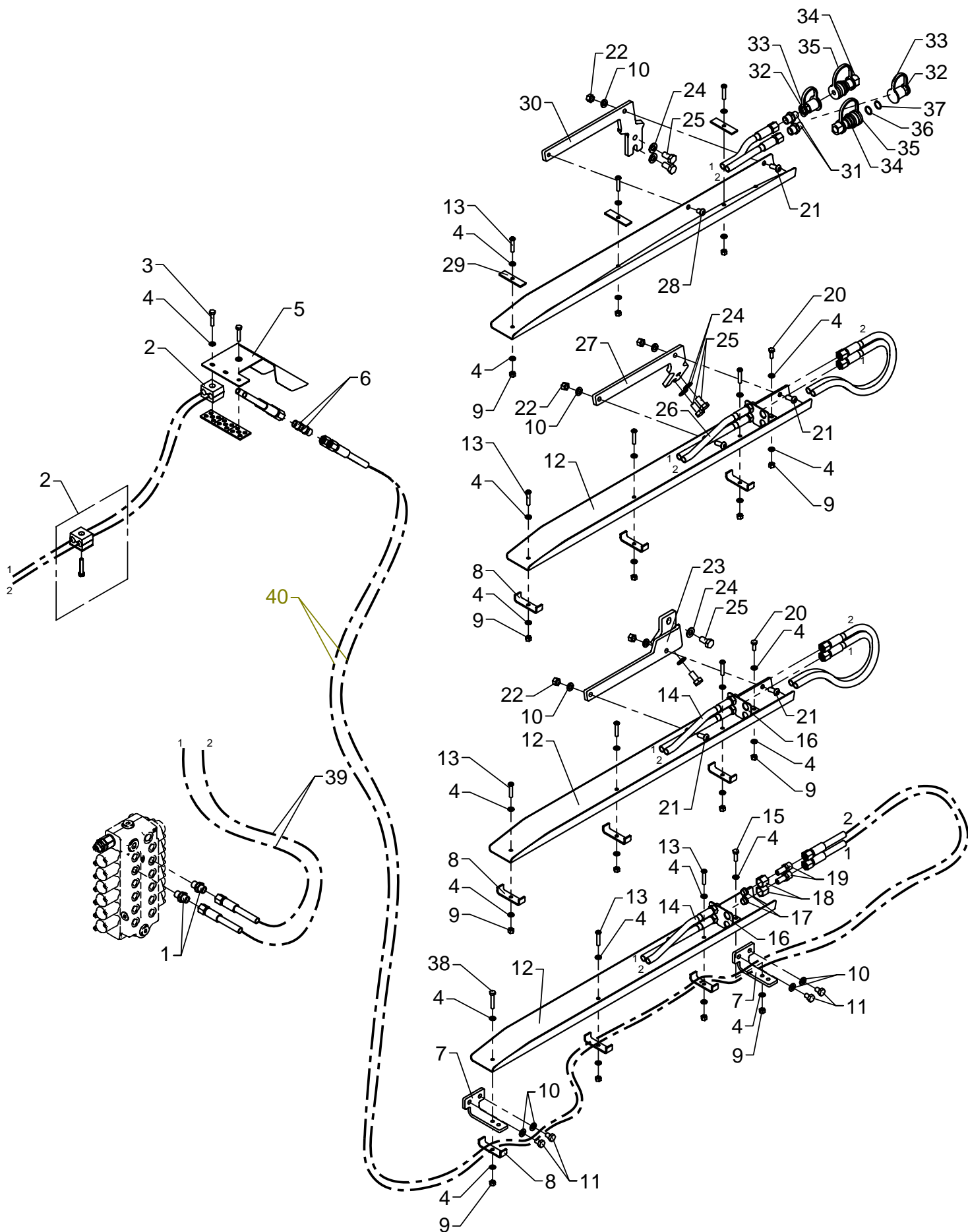
Created: 01.09.2005

Modified:

Item no.	Qty.	Part no.	Description	Remarks
1	2	25109	Connection	GES 8 LR-WD
2	2	31811	Clamp dobb.	2 x 13 mm
3	1	30115	Steel bolt, stainless	M6 x 30
4	23	32302	Face washer, stainless	6 mm
5	2	30116	Steel bolt, stainless	M6 x 35
6	2	26116	Profile ring	R 10 L/S
7	2	25182	Coupling nut	M10 L
8	2	25272	Reducing connection	REDV 10/8 L
9	2	25121	Connection	GEV 10 LR-WD
10	2	60697	Quick-release coupling M	1/4"
11	2	60699	Dust cap. F.	1/4"
12	2	60696	Quick-release coupling F	1/4"
13	2	60698	Dust cap. M.	1/4"
14	2	59826	O-ring	1/4"
15	2	59827	Back ring	1/4"
16	2	27274	Clip	
17	2	25246	Double connection	GV 8 L
18	1	56093	Double hose	1/4 x 2000 S/O
19	1	56092	Double hose	1/4 x 1600 S/O
20	2	56284	Hose	1/4 x 4230 L/L
21	2	62619	Hose	1/4 x 1500 L/L

3.2/23

Intern ref.: 1320870



Hose kit, extra valves, K3-1

As from / To loader no.:68 00 01 /

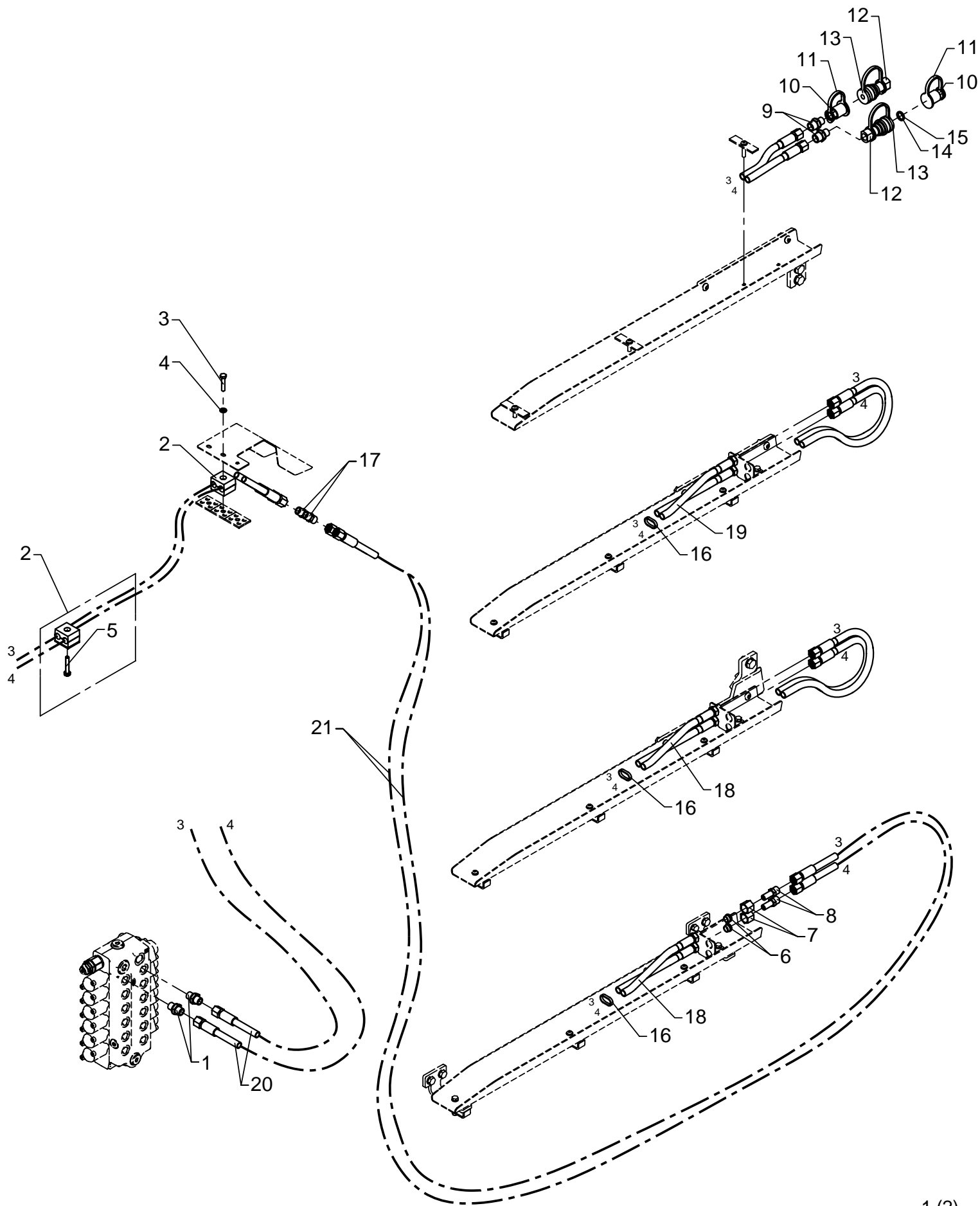
Created: 01.08.05

Modified:

Item no.	Qty.	Part no.	Description	Remarks
1	2	25109	Connection	GES 8 LR-WD
2	2	31811	Clamp dobb.	2 x 13 mm
3	2	30115	Steel bolt, stainless	M6 x 30
4	32	32302	Face washer, stainless	6 mm
5	1	1320302	Shield	
6	2	25246	Double connection	GV 8 L
7	2	1320296	Fitting, jib	
8	9	1320299	Clamp	
9	15	30884	Lock nut, stainless	M6
10	9	31147	Washer, stainless	8 mm
11	4	30130	Set screw, stainless	M8 x 12
12	4	1320298	Hose guide	
13	11	32458	Screw	M6 x 30
14	2	56093	Double hose	1/4 x 2000 S/O
15	1	30113	Set screw, stainless	M6 x 20
16	3	24116	Fitting	
17	2	26116	Profile ring	R 10 L/S
18	2	25182	Coupling nut	M10 L
19	2	25272	Reducing connection	REDV 10/8 L
20	2	30112	Set screw, stainless	M6 x 16
21	5	32322	Round-head screw	M8 x 20
22	5	30886	Lock nut, stainless	M8
23	1	1320291	Fitting, K1	
24	6	31177	Washer	10 mm
25	6	30154	Set screw	M10 x 20
26	1	56092	Double hose	1/4 x 1600 S/O
27	1	1320294	Fitting, K2	
28	1	30924	Screw	M8 x 12
29	3	1320301	Clamp	
30	1	1320295	Fitting, K3	
31	2	25121	Connection	GEV 10 LR-WD
32	2	60697	Quick-release coupling M	1/4"
33	2	60699	Dust cap. F.	1/4"
34	2	60696	Quick-release coupling F	1/4"
35	2	60698	Dust cap. M.	1/4"
36	2	59826	O-ring	1/4"
37	2	59827	Back ring	1/4"
38	2	30116	Steel bolt, stainless	M6 x 35
39	2	56284	Hose	1/4 x 4230 L/L
40	2	62619	Hose	1/4 x 1500 L/L

3.2/23

Intern ref.: 1320880



Suppl. kit, extra valves, K3-2

As from / To loader no.:68 00 01 /

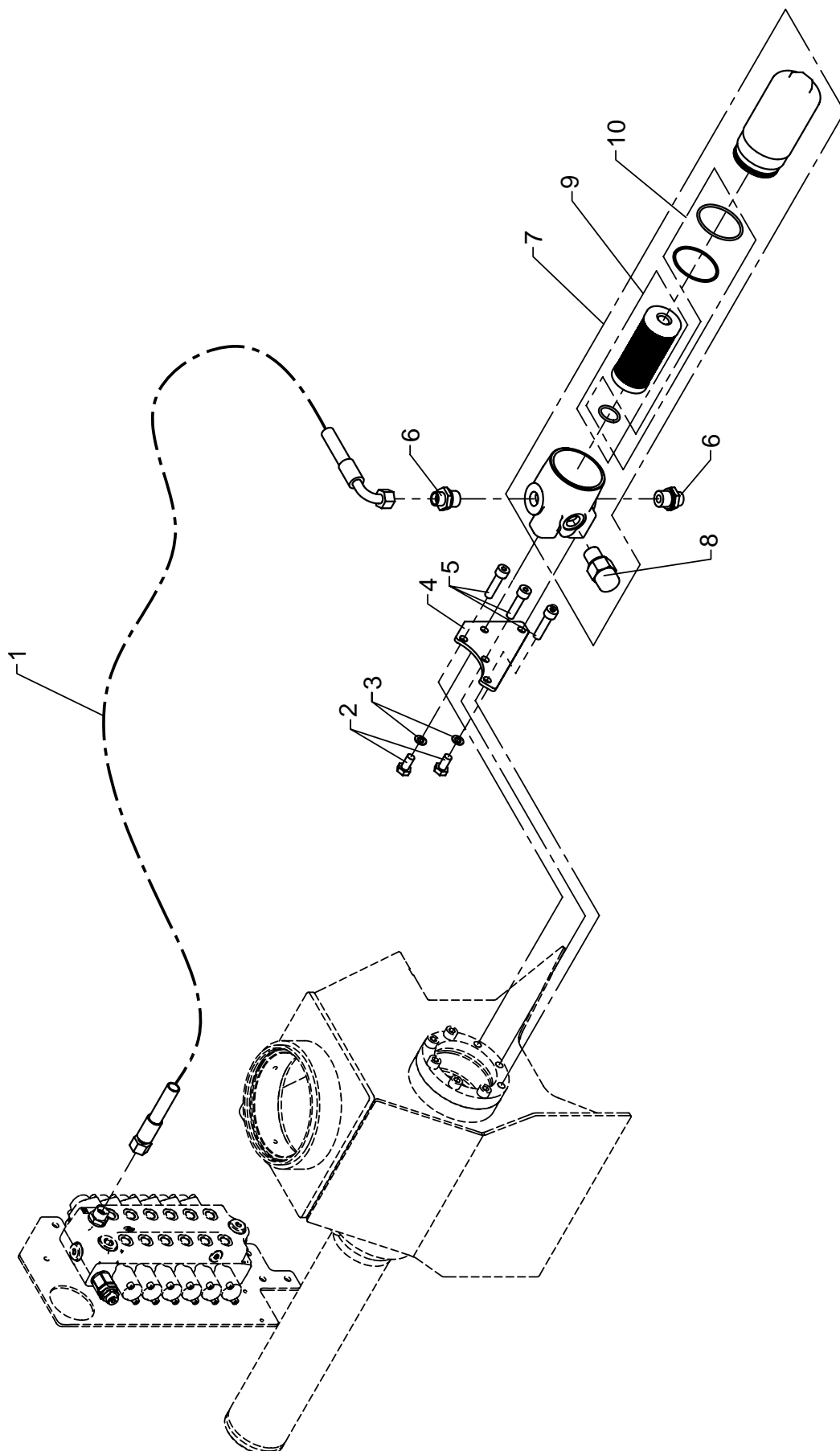
Created: 01.09.2005

Modified:

Item no.	Qty.	Part no.	Description	Remarks
1	2	25109	Connection	GES 8 LR-WD
2	2	31811	Clamp dobb.	2 x 13 mm
3	1	30115	Steel bolt, stainless	M6 x 30
4	31	32302	Face washer, stainless	6 mm
5	2	30116	Steel bolt, stainless	M6 x 35
6	2	26116	Profile ring	R 10 L/S
7	2	25182	Coupling nut	M10 L
8	2	25272	Reducing connection	REDV 10/8 L
9	2	25121	Connection	GEV 10 LR-WD
10	2	60697	Quick-release coupling M	1/4"
11	2	60699	Dust cap. F.	1/4"
12	2	60696	Quick-release coupling F	1/4"
13	2	60698	Dust cap. M.	1/4"
14	2	59826	O-ring	1/4"
15	2	59827	Back ring	1/4"
16	3	27274	Clip	
17	2	25246	Double connection	GV 8 L
18	2	56093	Double hose	1/4 x 2000 S/O
19	1	56092	Double hose	1/4 x 1600 S/O
20	2	56284	Hose	1/4 x 4230 L/L
21	2	62619	Hose	1/4 x 1500 L/L

3.2/23

Intern ref.: 1320820



High pressure filter

As from / To loader no.:68 00 01 /

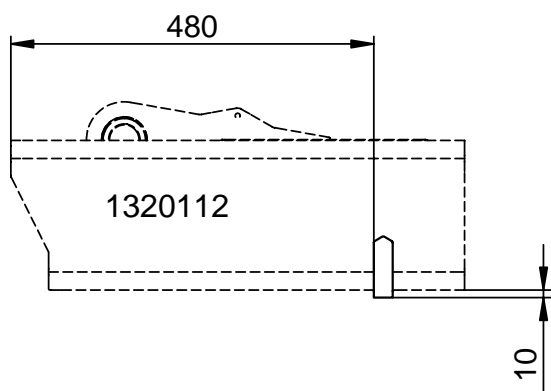
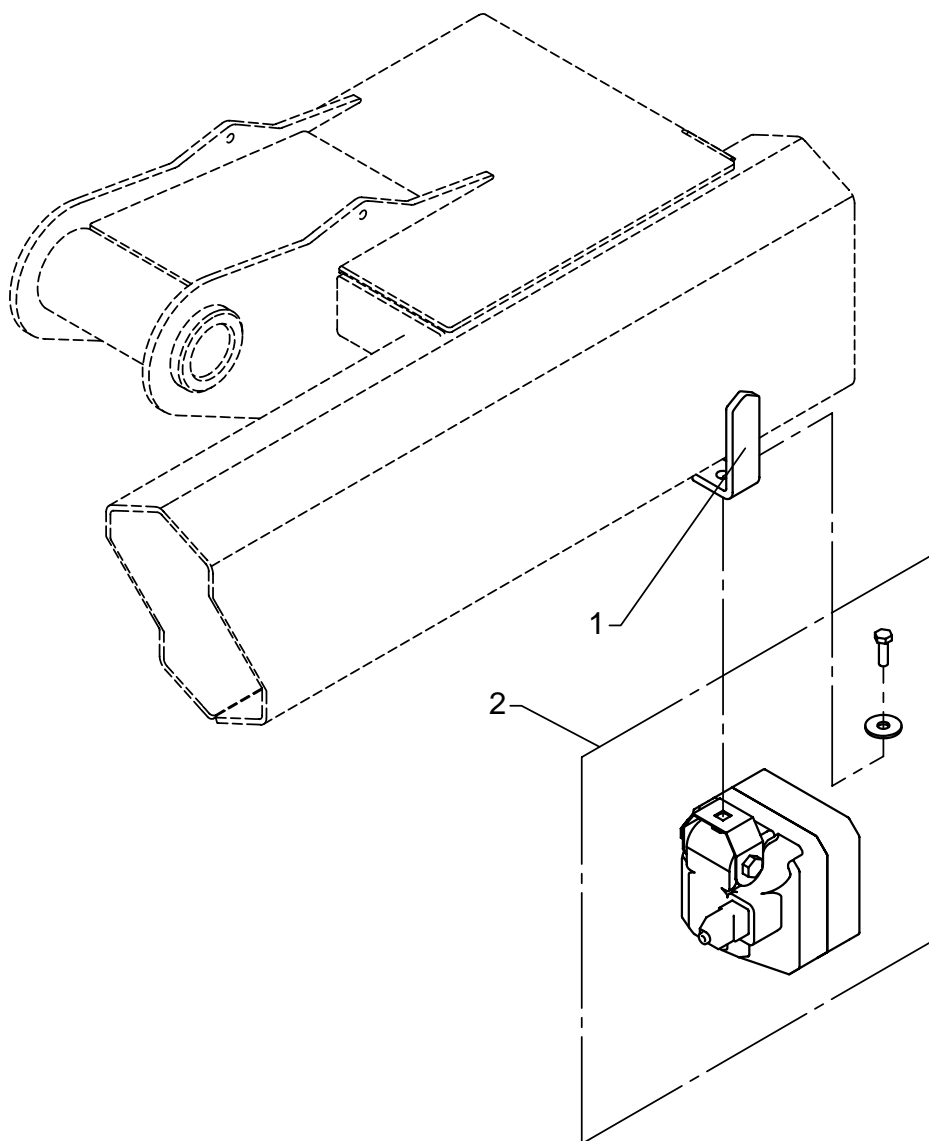
Created: 01.06.2005

Modified:

Item no.	Qty.	Part no.	Description	Remarks
1	1	0015280	Hose	3/8 x 950 v/o
2	2	31517	Set screw, stainless	M10 x 20
3	2	31147	Washer, stainless	8 mm
4	1	1320371	Bracket, high pressure filter	
5	3	30456	Screw	MC10 x 40
6	2	25108	Connection	GES 12 L/R 1/2-WD
7	1	58405	High pressure filter	
8		58406	Indicator	
9		58407	Filter cartridge	
10		58408	Seal kit	

3.2/23

Intern ref.: 1330430



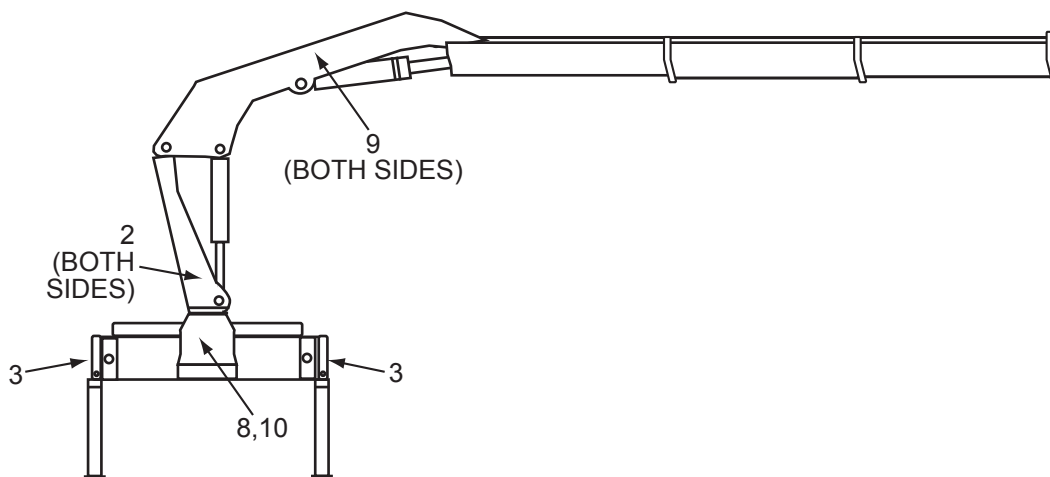
Spotlight

As from / To loader no.: 68 00 01/
Created: 29.09.2005
Modified:

Item no.	Qty.	Part no.	Description	Remarks
1	1	1330093	Fittings	
2	1	27138	Spotlight	

3.2/23

DECAL KIT 95720920 (DRAWING 99904201)



ITEM	PART #	DESCRIPTION	QTY	NOTES	PLACEMENT, IF NOT SHOWN
1.	70029119	PLACARD, SERIAL NUMBER	1		
2.	70396919	DECAL, DANGER ARTICULATED SMALL	2	PART OF 95720380	
3.	70392864	DECAL, DANGER O/R STAND CLEAR	2	PART OF 95720380	
4.	70392865	DECAL, DANGER ELEC HAZARD	4	PART OF 95720380	ON ALL 4 SIDES OF VEHICLE
5.	70392868	DECAL, DANGER CRANE LOADLINE	4	PART OF 95720380	ON ALL 4 SIDES OF VEHICLE
6.	70392891	DECAL, DANGER DRIVELINE	2	PART OF 95720380	AT OR NEAR DRIVELINE
7.	70394189	DECAL, MOBIL OIL RESERVOIR	1	PART OF 95720380	ON OIL RESERVOIR
8.	70391583	DECAL, DANGER STOW/UNFOLD	2	PART OF 95720380	
9.	70397039	DECAL-IDENTIFICATION 3.2/23	2		
10.	70397059	DECAL, GREASE 2.5/18 & 3.2/23	1		

REV. A 20080505