



**SPIERINGS
KRANEN**

Mark: **SPIERINGS** Type: **SK477-AT4**

Crane identification

Serial number:

Year of construction:

Crane group : 3 as per NEN 2018
 Loadspectrum : 2 as per NEN 2018
 Classification : A as per NEN 2018
 Stability : as per NEN 2022

Identifacation-
number

72 tm

Max. load

7,0 tonne

Max. radius
with max. load

11,46 m

Max. capacity

80 tm

Max. jib lenght

38 m

Speeds

Jib horizontal / jib 30° luffed

	m/min	kg
	18	7000
	30	3500
	45	1500
	75	0

	0 - 70 m/min
--	--------------

	0-1,2 rpm
--	-----------

All motions with hydraulic proportional controls

Luffing the jib 30° can be controlled from crane cab or via remote control

Driving with erected tower and jib, only with the jib horizontal and positioned over the front carriage, platform locked to the carrier and the outriggers fully extended (max. inclination 2°)

Rated lifting capacity is net capacity

Crane equipped with full counterweight: 9000 kg

360° continuous slewing, with outriggers out and down

2 Outriggers positons: 6,55 x 6,15 m
6,55 x 5,10 m

Operation allowed up to a windforce of 8 on the Beaufortscale. (wind speed 17 m/sec.)

Sail area of the load max. 1,0 m² / tonne at a windforce of 7 on the Beaufortscale.

Operating temperature range from -15° to 40° C.

In all cases 2 parts of line

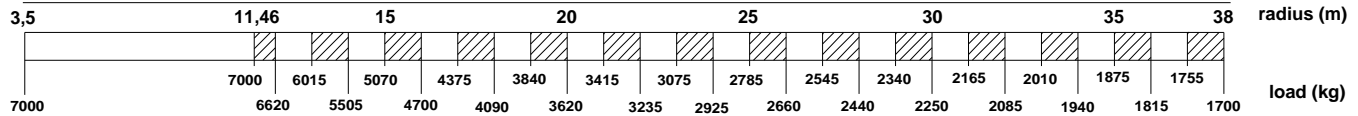
Max. line pull force 3500 kg

The crane should be folded in at a windforce >9 (21m/sec) or when not in use for a longer period

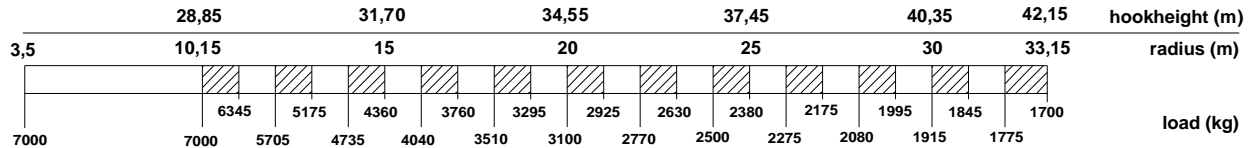
LIFTING CHART Outrigger spread 6,55 m x 6,15 m

Jib horizontal

Hookheight 24 m (height under jib 25,9 m)



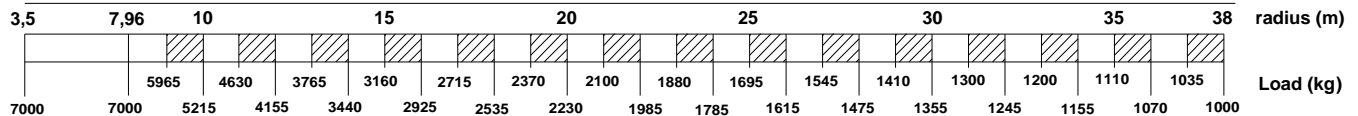
Jib 30° luffed



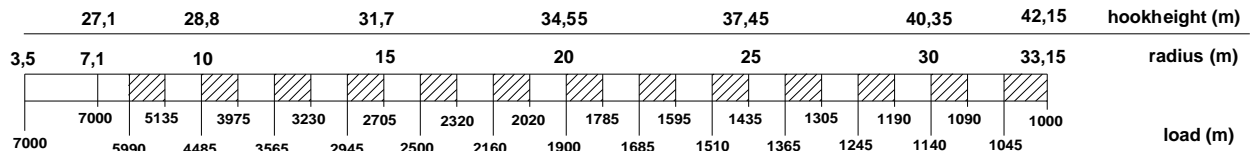
LIFTING CHART Outrigger spread 6,55 m x 5,10 m

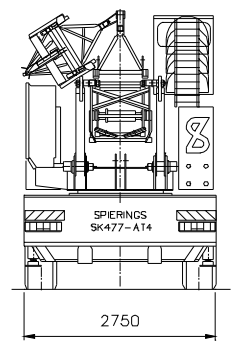
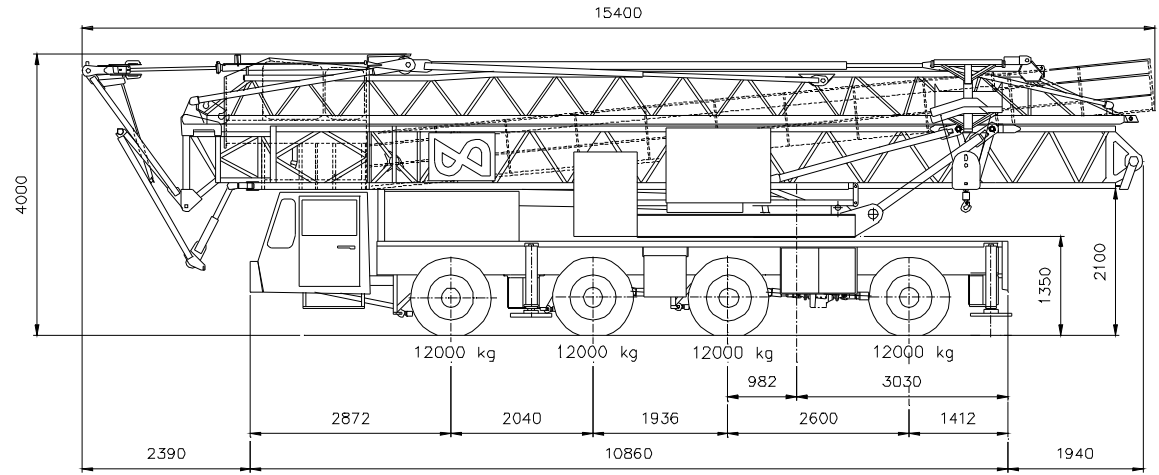
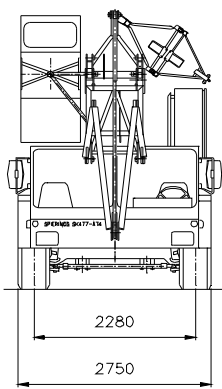
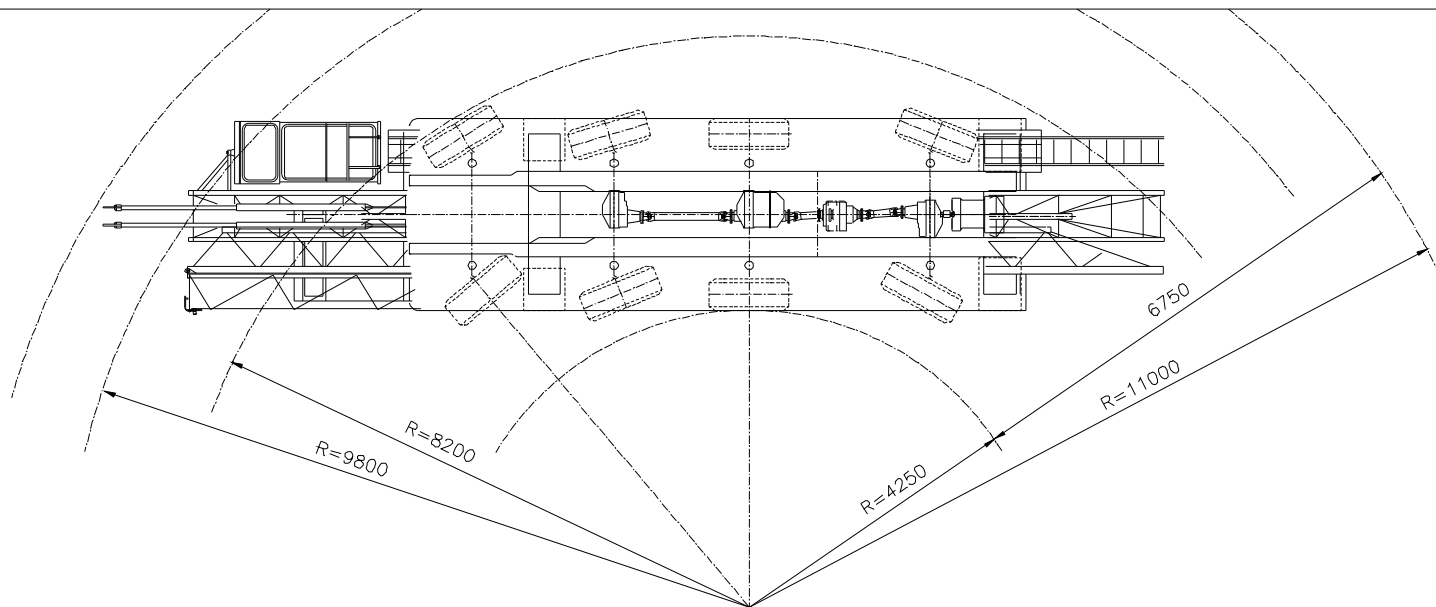
Jib horizontal

Hookheight 24 m (height under jib 25,9 m)



Jib 30° luffed





changes reserved by manufacturer

Total weight 48000 kg

SPIERINGS FOLDING CRANE
Type SK477-A14

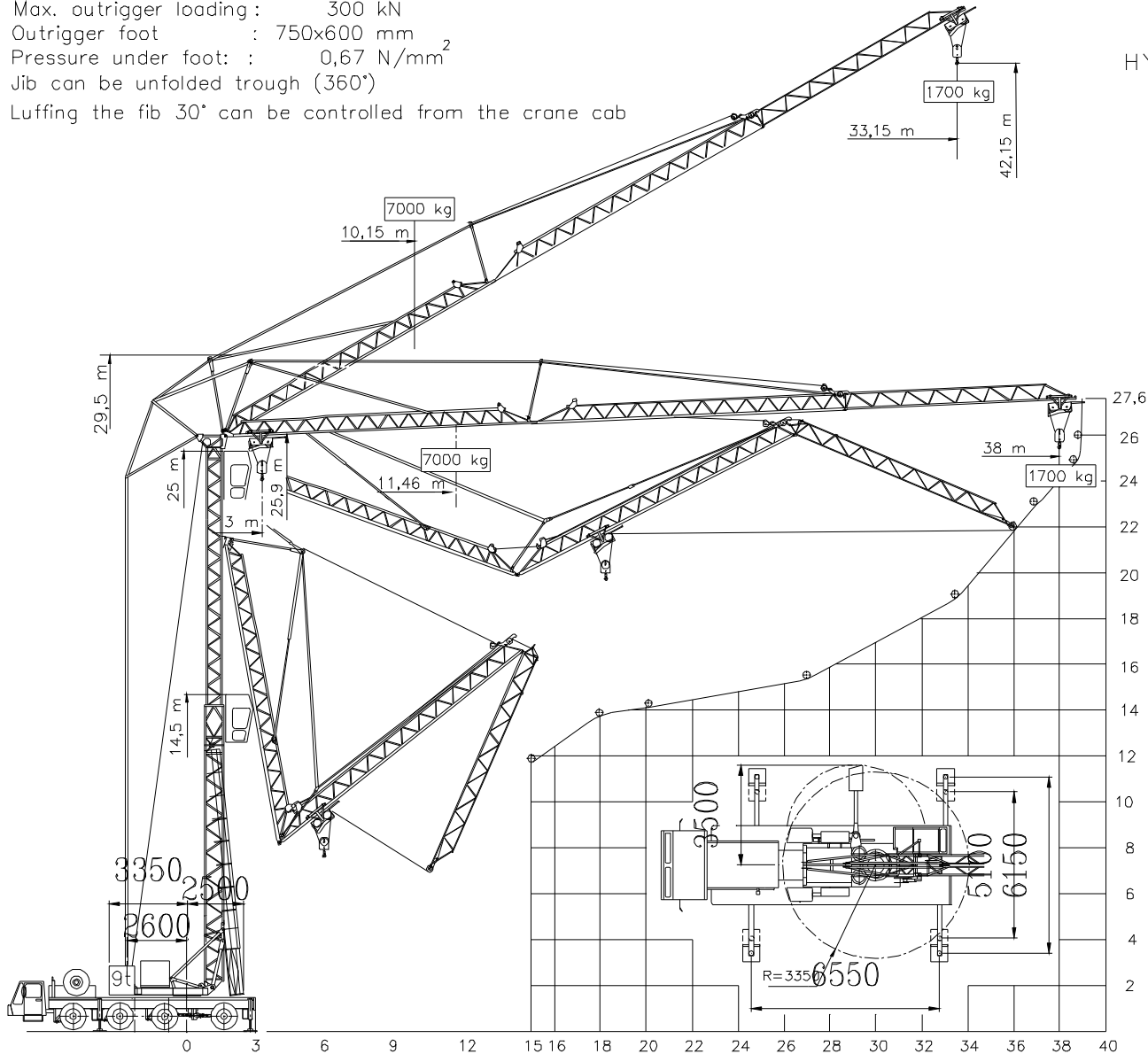
 SPIERINGS KRANEN BV
Merwedestraat 15
5347 KZ OSS
Nederland
Tel. (31) 412-626964
Fax. (31) 412-645299

Max. outrigger loading : 300 kN
 Outrigger foot : 750x600 mm
 Pressure under foot : 0,67 N/mm²
 Jib can be unfolded trough (360°)
 Luffing the fib 30° can be controlled from the crane cab

SPIERINGS

HYDRAULIC FOLDING CRANE

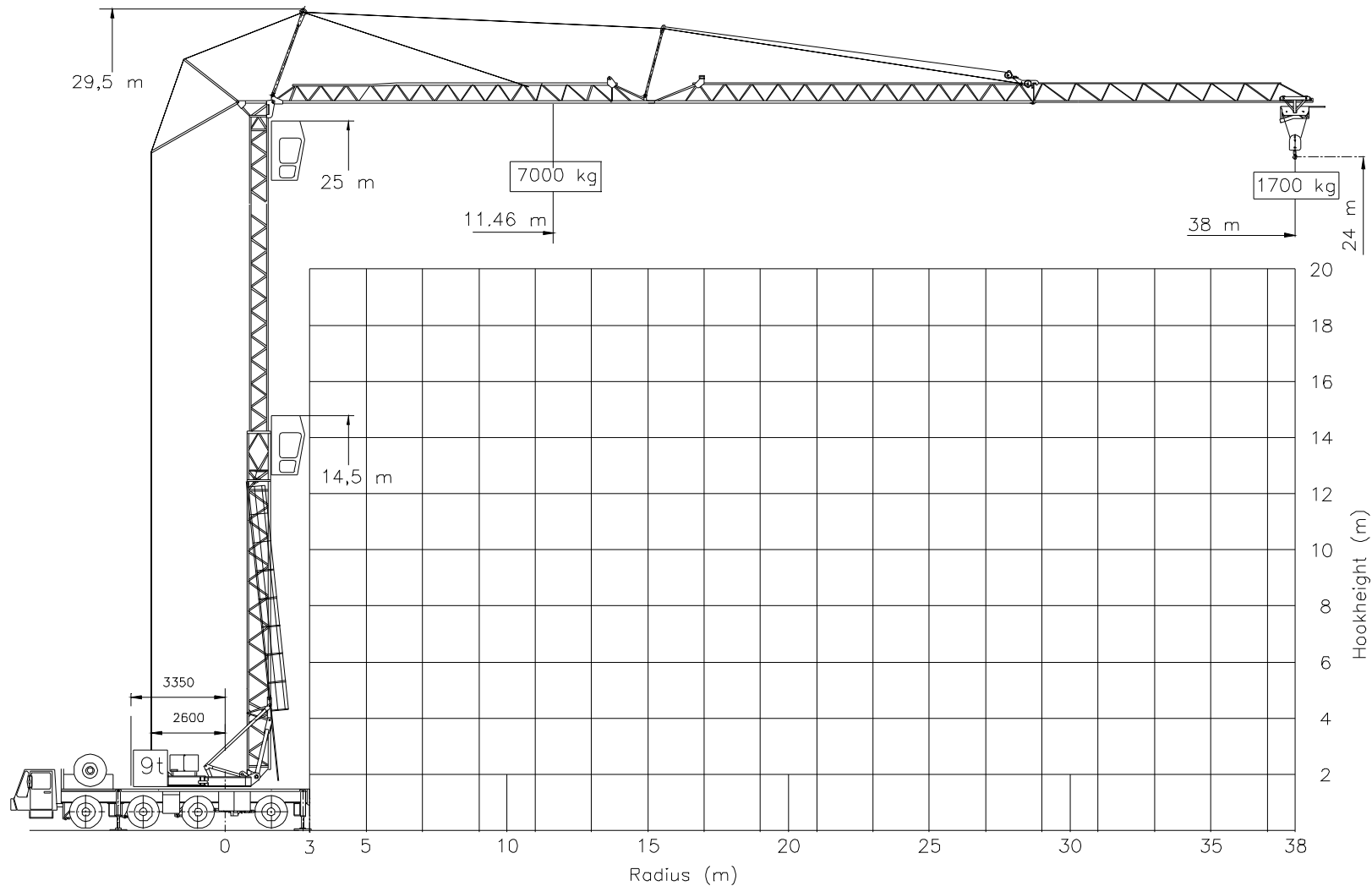
SK477-AT4



SPIERINGS KRANEN BV
 Merwedestraat 15
 5347 KZ OSS
 Nederland
 Tel. (31) 412-626964
 Fax. (31) 412-645299

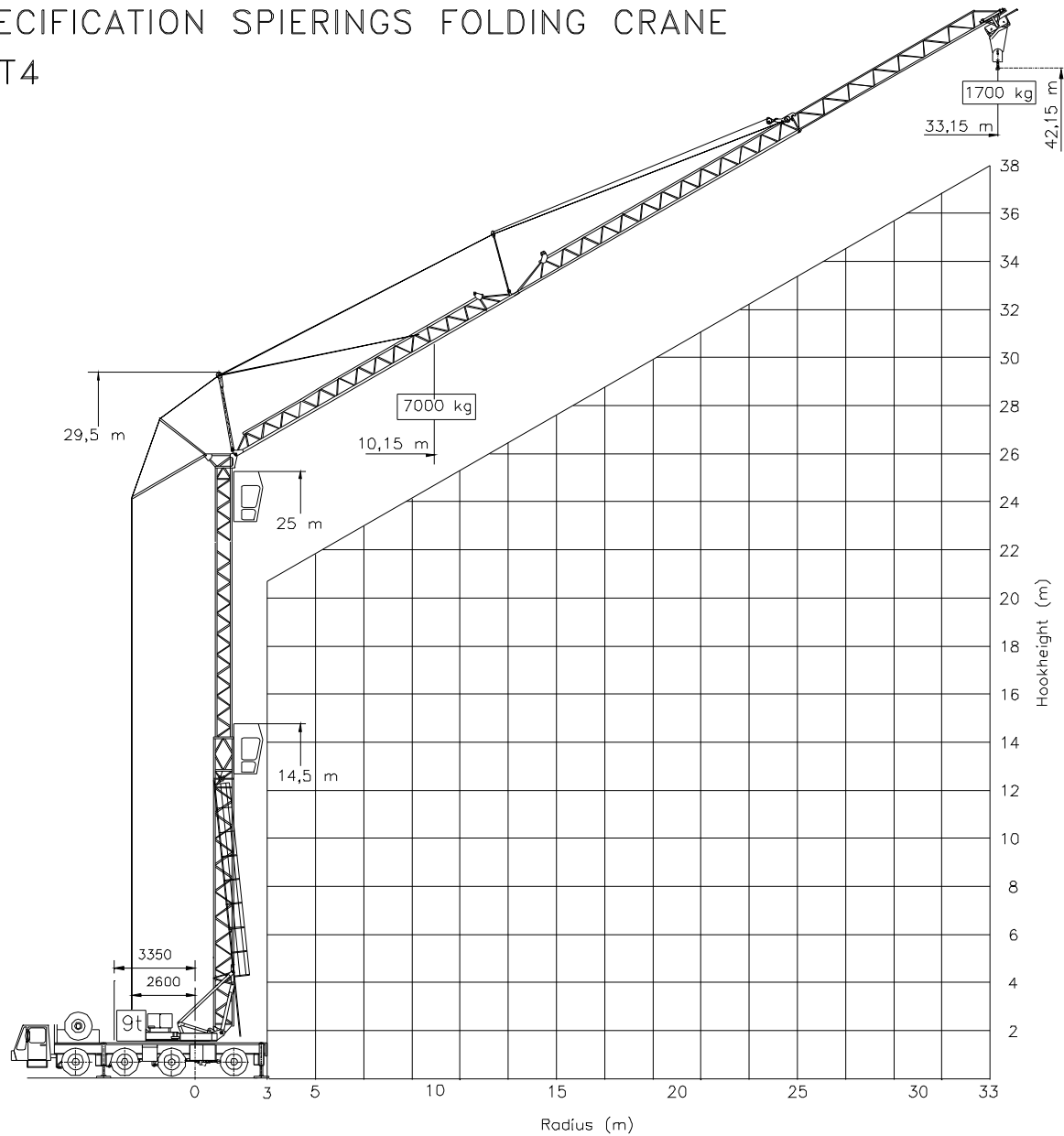


LOAD SPECIFICATIONS SPIERINGS FOLDING CRANE SK477-AT4

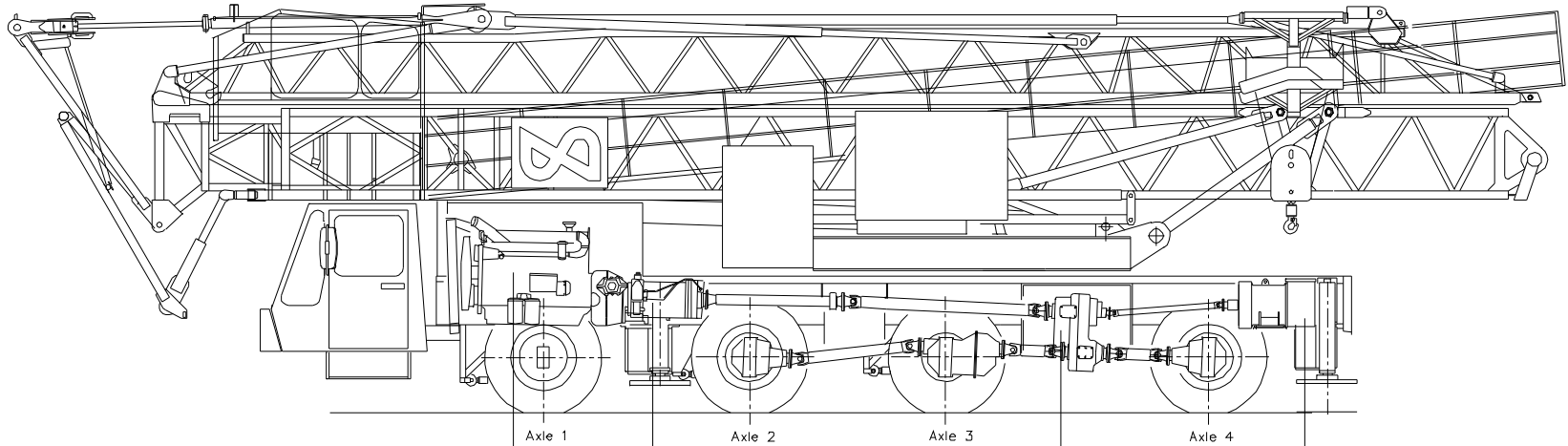




LOAD SPECIFICATION SPIERINGS FOLDING CRANE SK477-AT4



Drive train SPIERINGS SK477-AT4



Diesel engine:
DAF WS 268 L (11,6 ltr.)
Power: 268 Kw (2000 rpm)
Torque: 1500 Nm (1250 rpm)

Gear box: ZF 16S151
Manually operated with air power assistance
+ Dry plate clutch

Transferbox:
Steyr VG2001/396
Road gear $i = 1 : 0,89$
Off-road gear $i = 1 : 1,54$

Generator:
LSA 44.1M3 - 75kVA

Axes 2, 3 and 4 : GINAF axles with DAF drive components

Axle 1 : GINAF axle, not driven

Suspension: hydro-pneumatic on all axles, stroke ram 160 mm

Max. speed carrier : 80 km/h

Min. speed carrier (engine at 1000 rpm) : 1,6 km/h

SPIERINGS HYDRAULIC FOLDING CRANE
Typ SK477-AT4



Kantsingel 18
5349 AJ Oss NL
Tel. +31-412-626964
Fax +31-412-645299