

PK 53002 SH

PALFINGER

LIFETIME EXCELLENCE

**OPERATOR FRIENDLY AND SENSITIVE
CONTROLLABLE. IMPRESSIVE ATTRIBUTES
FOR DELICATE OPERATIONS.**



LIFETIME EXCELLENCE

PALFINGER LOADER CRANES ARE CONVINCING DUE TO THEIR SUPERIOR LIFE-CYCLE PERFORMANCE. THEY ARE THE MOST ECONOMICAL AND ALSO THE MOST RELIABLE OVER THE ENTIRE PRODUCT LIFE. FROM SOLUTION FINDING TO RESALE.

BETTER
SOLUTIONS

BETTER
EFFICIENCY

BETTER
ERGONOMICS

HIGHER VALUE
RETENTION



HIGHER
AVAILABILITY

HIGHER
SERVICEABILITY

BETTER
ECOLOGY

MORE
RELIABILITY



MAXIMUM UTILISATION OF THE WORKING RANGE





- Increased comfort and safety due to Soft Stop
- Maximum utilisation of the working range due to HPSC
- More lifting power due to S-HPLS
- Continuous slewing for increased efficiency and speed
- Additional applications with Power Link Plus



PERFECT TOOL WITH SOPHISTICATED KINEMATICS

12

HIGHLIGHTS



CONTINUOUS SLEWING SYSTEM
UNRESTRICTED MOVEMENT

More efficient in operation due to faster loading cycles, since the crane can be slewed over a shorter distance. The crane works more efficiently and faster.



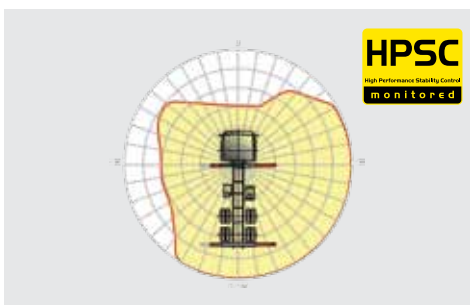
POWER LINK PLUS
HIGH VARIETY OF USES

With the 15-degree reverse linkage system, you can reach through low door openings and also work inside buildings. Heavy crane work – even in difficult conditions.



MAINTENANCE-FREE EXTENSION SYSTEM
SAVES YOU SERVICE TIME

With sliding elements made of synthetic material and the high-quality KTL coating, this boom system works without any service from the operator. Saving you time and money while protecting the environment.



HPSC
MAXIMUM UTILISATION OF THE WORKING RANGE

The variable stabiliser positioning of the High Performance Stability Control System makes it possible to utilise the lifting capacity to the maximum. It enables working within tight spaces.



S-HPLS
MORE LIFTING POWER WHEN IT IS REALLY NEEDED

S-HPLS is one of the most important functions of the PALTRONIC 150. It is a fully automatic system for increasing the lifting power. Depending on the need, there is continuous adaptation of the lifting power and speed of the crane.



CONTROL TECHNOLOGY
COMMUNICATION WITH THE OPERATOR

New standards in operator friendliness through perfect interaction between PALTRONIC 150, control valve and radio remote control. The operator is guided clearly and safely.



POWER LINK CABLE WINCH
MORE COMFORT IN CABLE WINCH OPERATION

Characterised by low installation height, it is ideal for working inside buildings and transports with the crane boom unfolded. The Comfort Cable Routing reduces set-up times to a minimum.



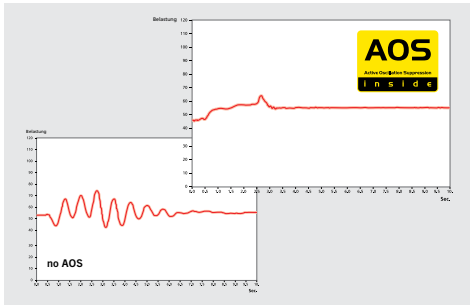
FUNCTIONAL DESIGN
PRACTICAL AND ATTRACTIVE

Robust plastic covers protect crane parts against dirt and damage. Better appearance and increased operational comfort – during the entire lifetime.



KTL – CATHODIC DIP PAINTING
FOR RETAINING HIGH VALUE

The UV-resistant coating guarantees long-term surface protection. Perfect appearance during the entire lifetime for maximum resale value.



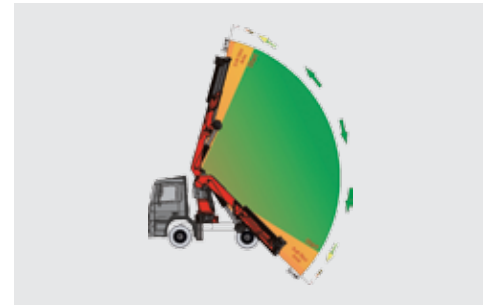
AOS
MAXIMUM PRECISION AND SAFETY

The active oscillation suppression system prevents "post-oscillation" in the event of rapid braking or load changes. The stress peaks on the extension boom system are reduced and material fatigue and wear are minimised. This increases the resale value.



DPS PLUS
MORE EFFICIENT FLY-JIB OPERATION

The Dual Power System allows multiple uses of the crane both for large outreaches as well as for heavy load operation.



SOFT STOP FUNCTION
MORE COMFORT AND SAFETY

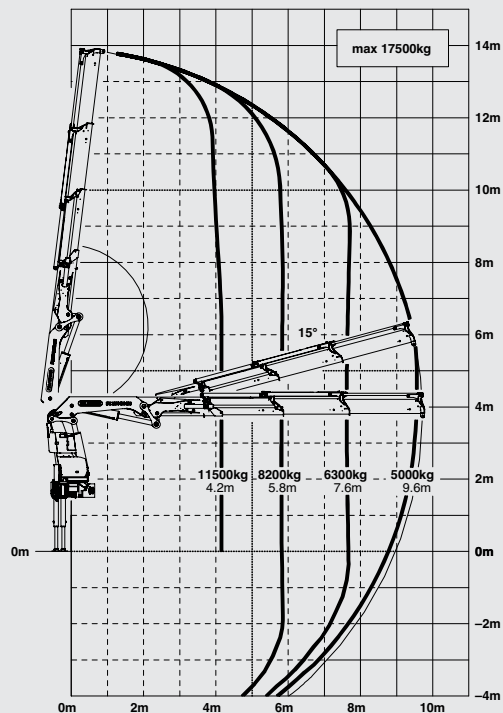
The Soft Stop function is an electronic limit position damper. It causes gentle braking of all crane movements before the limit position is reached. Hence, jerky movements and load impacts can be avoided. The crane can be operated more gently and precisely.



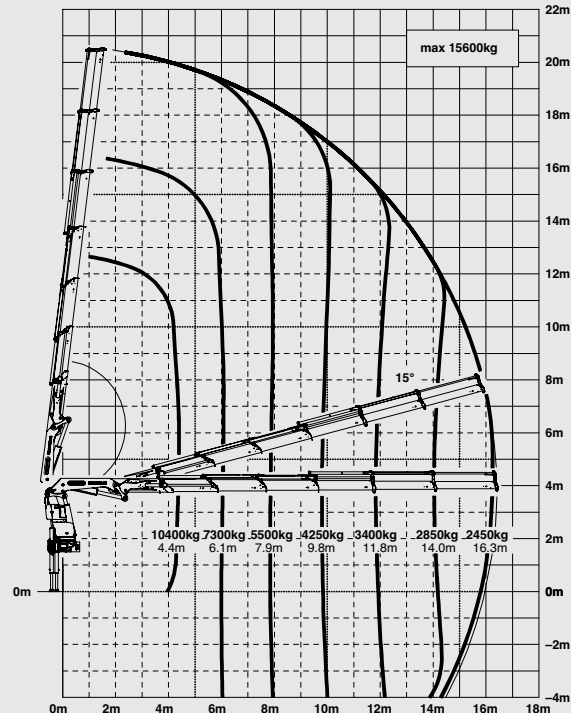
* Optional features / country-specific equipment

PK 53002 SH HIGH PERFORMANCE

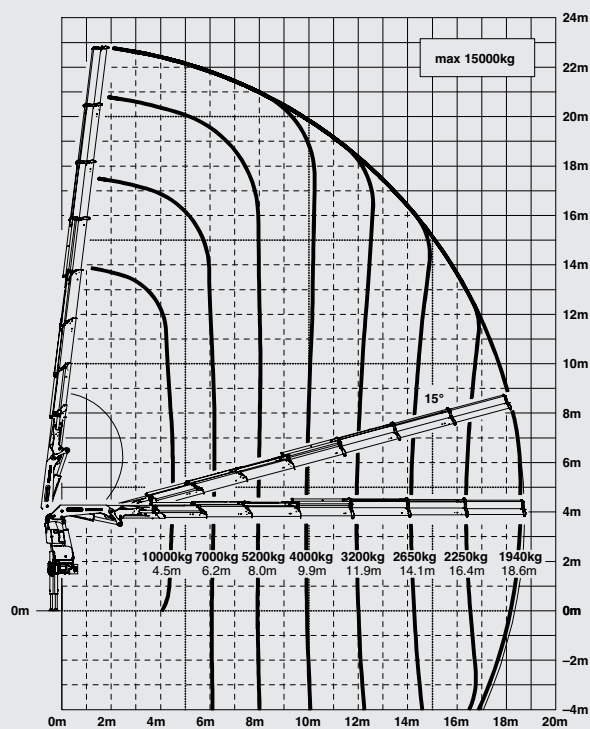
B



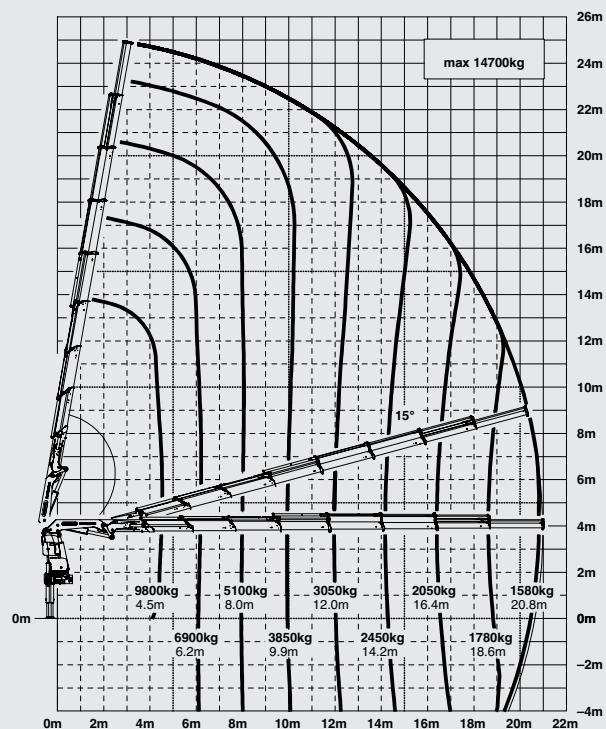
E



F

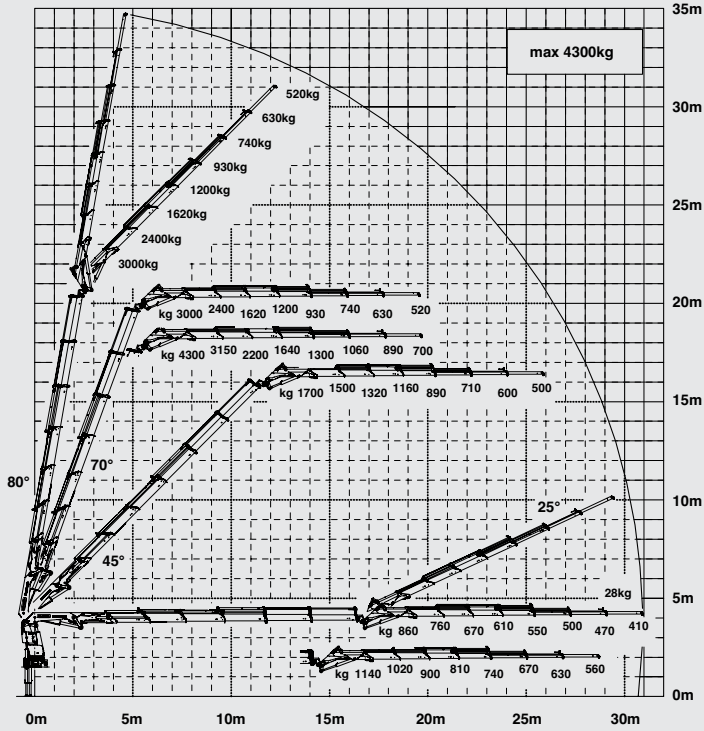


G

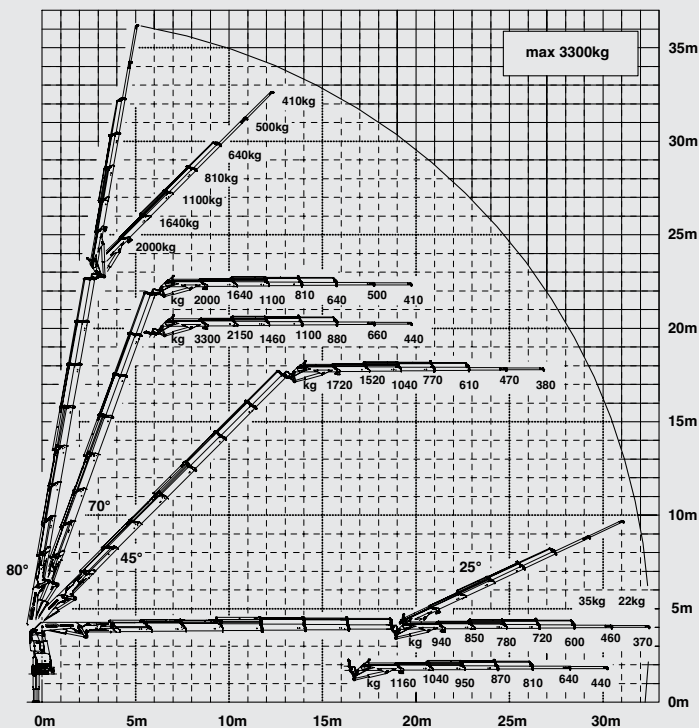


MORE LIFTING POWER WHEN IT IS REALLY NEEDED

E PJ125E JV1 DPS PLUS



F PJ080C JV2 DPS PLUS



LIFTING CAPACITIES

A	max.		17900 kg	39500 lbs
	4.1 m	13' 5"	11800 kg	25900 lbs
	5.8 m	19' 0"	8500 kg	18600 lbs
	7.6 m	24' 11"	6500 kg	14300 lbs

B	max.		17500 kg	38600 lbs
	4.2 m	13' 9"	11500 kg	25300 lbs
	5.8 m	19' 0"	8200 kg	18100 lbs
	7.6 m	24' 11"	6300 kg	13800 lbs
	9.6 m	31' 6"	5000 kg	11000 lbs

C	max.		17200 kg	37900 lbs
	4.2 m	13' 9"	11200 kg	24800 lbs
	5.8 m	19' 0"	8000 kg	17500 lbs
	7.6 m	24' 11"	6000 kg	13200 lbs
	9.6 m	31' 6"	4750 kg	10500 lbs
	11.6 m	38' 1"	3900 kg	8600 lbs

D	max.		16300 kg	36000 lbs
	4.3 m	14' 1"	10800 kg	23700 lbs
	6.0 m	19' 8"	7600 kg	16800 lbs
	7.8 m	25' 7"	5700 kg	12600 lbs
	9.7 m	31' 10"	4450 kg	9900 lbs
	11.7 m	38' 5"	3650 kg	8000 lbs
	13.9 m	45' 7"	3050 kg	6700 lbs

E	max.		15600 kg	34400 lbs
	4.4 m	14' 5"	10400 kg	22900 lbs
	6.1 m	20' 0"	7300 kg	16100 lbs
	7.9 m	25' 11"	5500 kg	12000 lbs
	9.8 m	32' 2"	4250 kg	9300 lbs
	11.8 m	38' 9"	3400 kg	7500 lbs
	14.0 m	45' 11"	2850 kg	6200 lbs
	16.3 m	53' 6"	2450 kg	5400 lbs

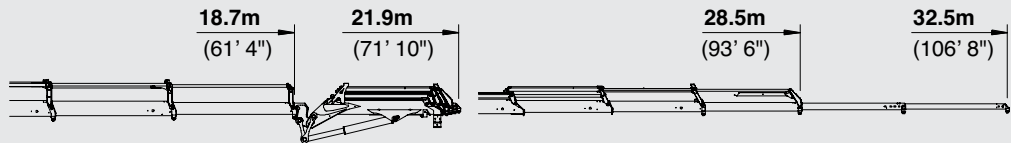
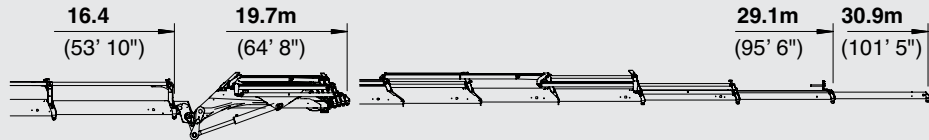
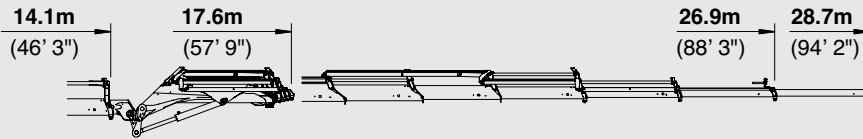
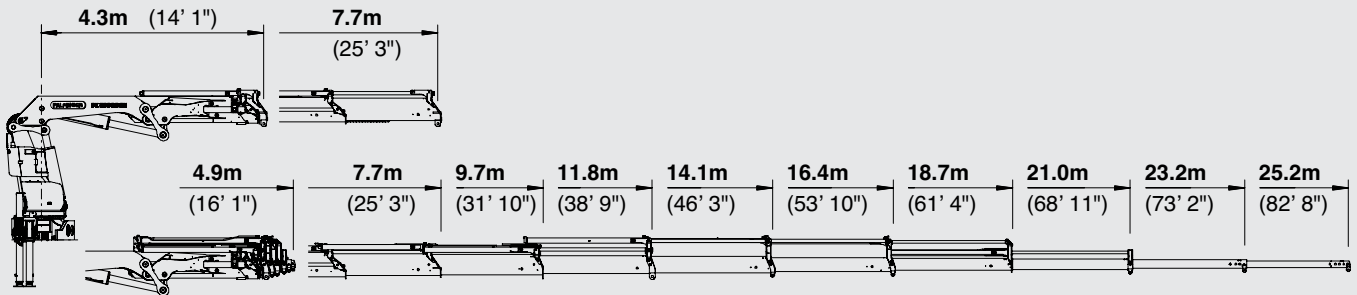
F	max.		15000 kg	33100 lbs
	4.5 m	14' 9"	10000 kg	22100 lbs
	6.2 m	20' 4"	7000 kg	15500 lbs
	8.0 m	26' 3"	5200 kg	11500 lbs
	9.9 m	32' 6"	4000 kg	8900 lbs
	11.9 m	39' 1"	3200 kg	7100 lbs
	14.1 m	46' 3"	2650 kg	5800 lbs
	16.4 m	53' 10"	2250 kg	4900 lbs
	18.6 m	61' 0"	1940 kg	4300 lbs

G	max.		14700 kg	32400 lbs
	4.5 m	14' 9"	9800 kg	21700 lbs
	6.2 m	20' 4"	6900 kg	15100 lbs
	8.0 m	26' 3"	5100 kg	11100 lbs
	9.9 m	32' 6"	3850 kg	8500 lbs
	12.0 m	39' 4"	3050 kg	6700 lbs
	14.2 m	46' 7"	2450 kg	5400 lbs
	16.4 m	53' 10"	2050 kg	4550 lbs
	18.6 m	61' 0"	1780 kg	3900 lbs
	20.8 m	68' 3"	1580 kg	3500 lbs
	23.0 m*	75' 6"	900 kg	1980 lbs
	25.0 m*	82' 0"	600 kg	1320 lbs

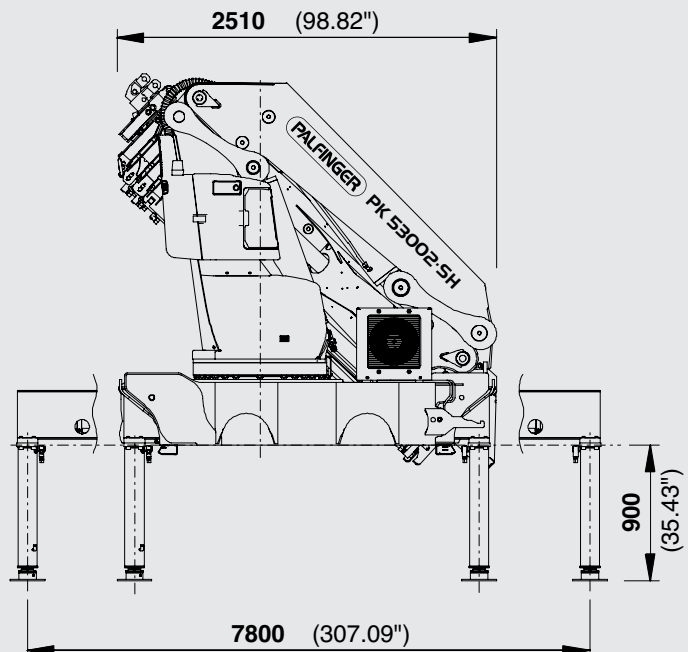
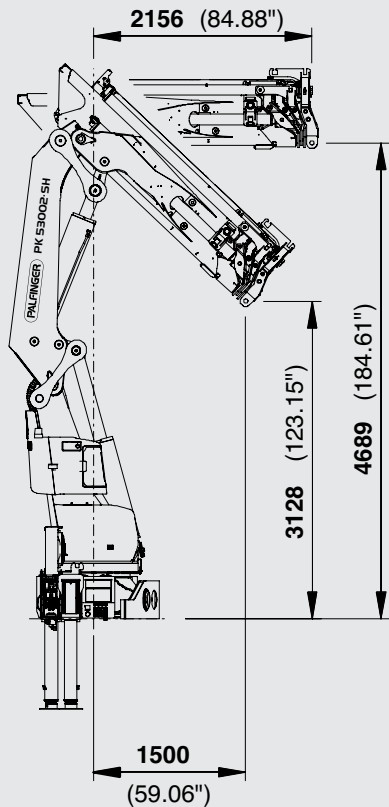
*mechanical extension

PERFECT DIMENSIONS

EXTENSION BOOM VARIATIONS



DIMENSIONS



PK 53002 SH

D PJ125E JV1

E PJ125E JV1 DPS PLUS

F PJ080C JV2 DPS PLUS

TECHNICAL SPECIFICATIONS (EN 12999 HC1 HD5/B3)

Max. lifting moment	50.1 mt / 491.5 kNm	362480 ft. lbs
Max. lifting capacity	18200 kg / 178.5 kN	40120 lbs
Max. hydraulic outreach	21.0 m	68' 11"
Max. manual outreach	25.2 m	82' 8"
Max. outreach (with fly-jib)	32.5 m	106' 8"
Slewing angle	continuously variable	
Slewing torque with 1 gear	4.0 mt/39.2 kNm	28940 ft. lbs
Slewing torque with 2 gears	5.5 mt/54.0 kNm	39790 ft. lbs
Stabiliser spread	7.8 m	25' 7"
Fitting space required (std.)	min. 1.33 m/4' 4"	max. 1.47 m/4' 10"
Width folded	2.51 m	8' 3"
Max. operating pressure	365 bar	5293 psi
Recommended pump capacity	from 90 l/min	23.8 US gal./min
	to 120 l/min	31.7 US gal./min
Dead weight (std.)	4145 kg	9140 lbs

