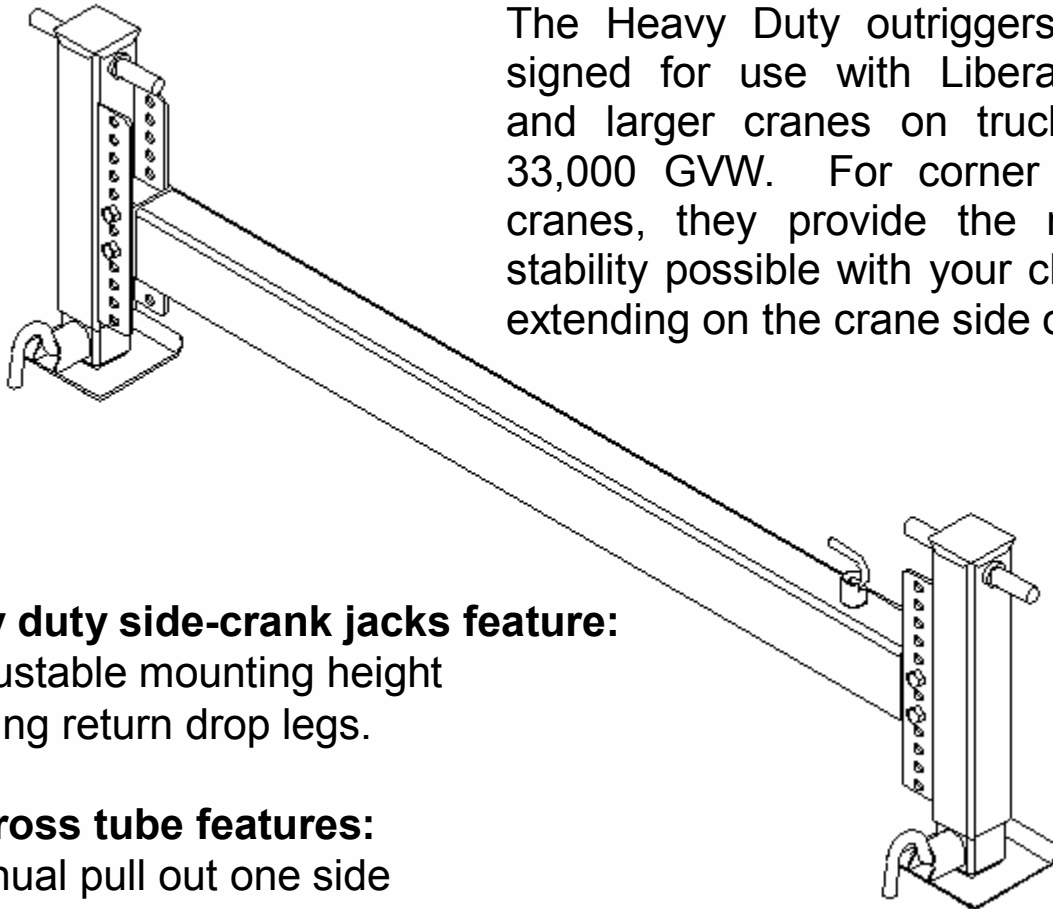


# ***Ideal Crane Outriggers*** ***Heavy Duty***

**PART #900055**



The Heavy Duty outriggers are designed for use with Liberator 4000 and larger cranes on trucks up to 33,000 GVW. For corner mounted cranes, they provide the maximum stability possible with your chassis by extending on the crane side only.

### **Heavy duty side-crank jacks feature:**

- ◆ Adjustable mounting height
- ◆ Spring return drop legs.

### **The cross tube features:**

- ◆ Manual pull out one side
- ◆ Slides on low friction polymer slide pads
- ◆ Convenient spring pin horizontal locking when extended.



*... better by design ...*

**RUGGED  
and  
DEPENDABLE**

See reverse side for dimensions.