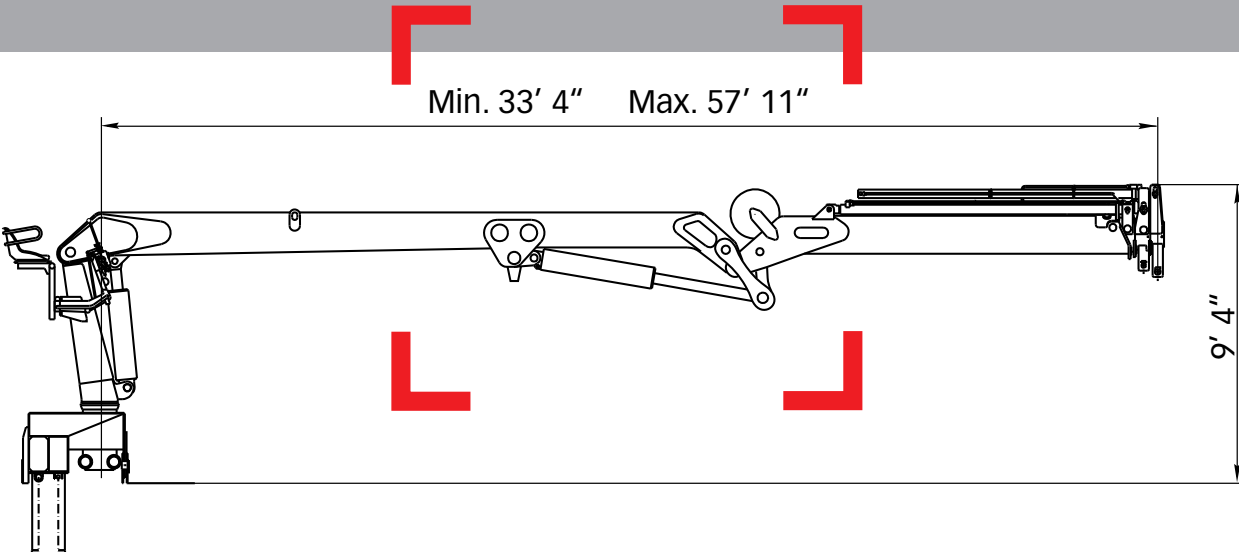


# HIAB 210 K Capacity 133,000 ft-lbs



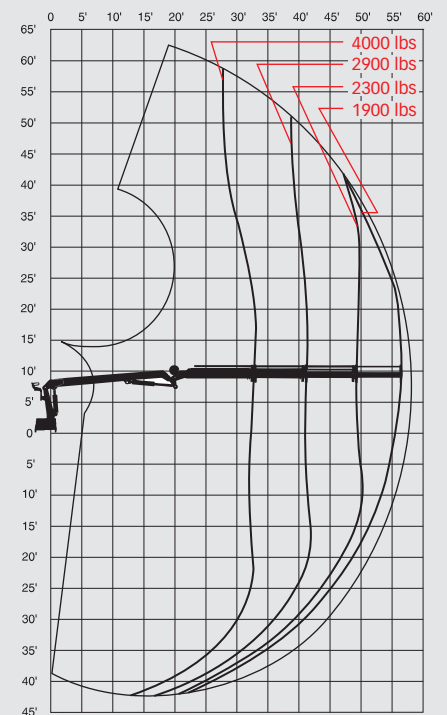
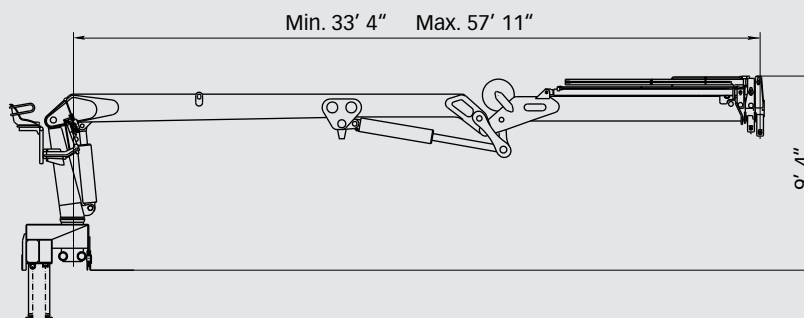
Basic data

# HIAB 210 K Basic data

## Technical data

	K-2	K-3
Max. lifting capacity (ft.lbs)	133397	110550
Outreach - hydraulic extensions (ft)	49' 3"	47' 11"
Outreach - manual extensions (ft)	-	-
Outreach / Lifting capacity, standard (ft / lbs)	32' 2" / 4500	32' 7" / 4000
	40' 4" / 3400	40' 9" / 2900
	48' 6" / 2750	48' 12" / 2300
	-	57' 2" / 1900
Slewing angle	450°	450°
Height with horizontal boom (ft)	-	-
Installation space needed (ft)	41"	41"
Weight - "standard" crane without stabilizers (lbs)	7716	8188
Weight - stabilizer equipment (lbs)	1285	1285

## HIAB 210 K-3



### Disclaimer

Hiab cranes has been built to meet the highest standards of safety and service life and has been thoroughly tested. Strength calculations for this model have been carried out in accordance with DIN 15018. Hiab's certified Quality Assurance System complies with the ISO 9001. Some of the items in our literature may be extra equipment. Certain applications may require an official permit. We reserve the right to change technical specifications without prior notice. Hiab cranes produced for EU-countries are CE-marked and comply with the European Standard EN 12999.