

KOBELCO

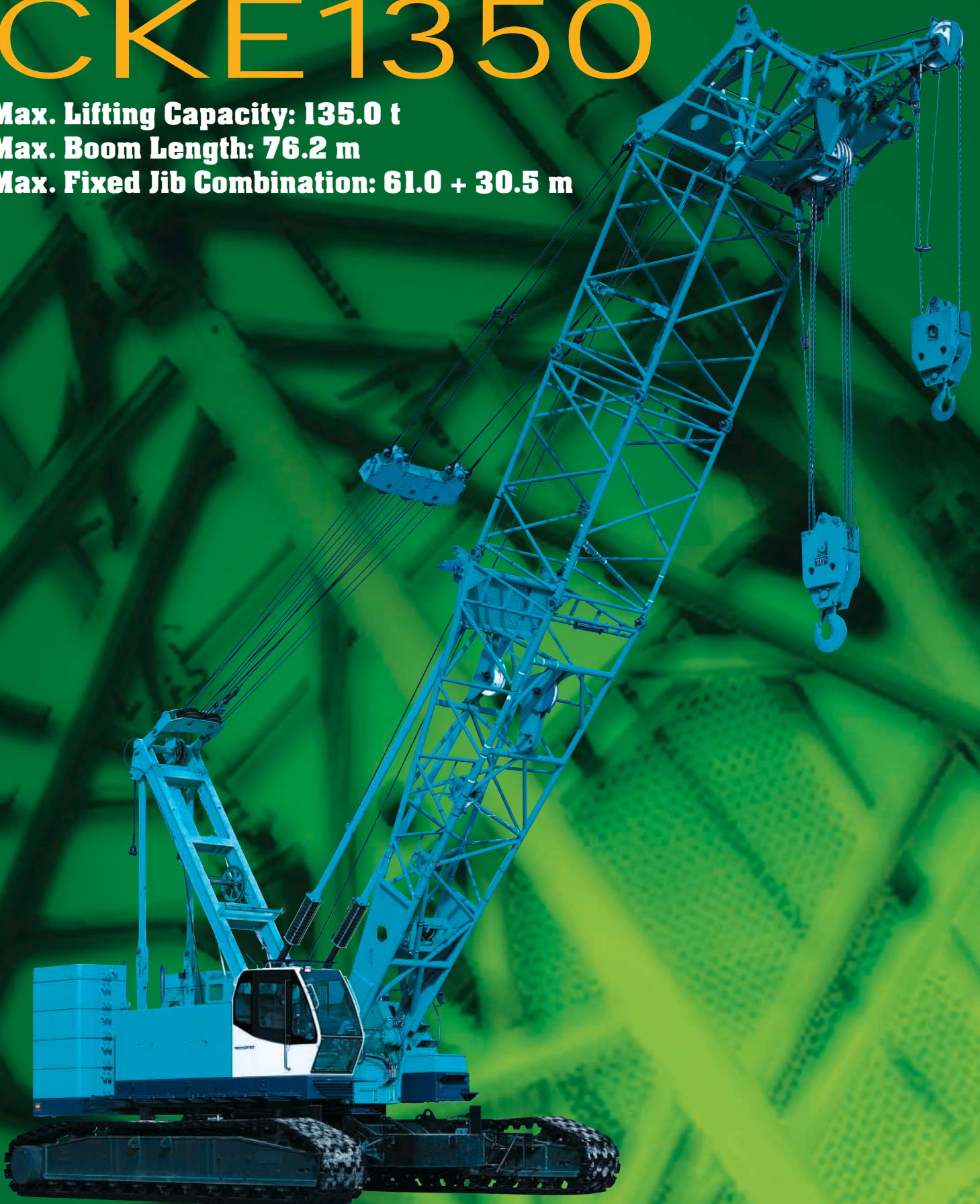
HYDRAULIC CRAWLER CRANE

CKE1350

Max. Lifting Capacity: 135.0 t

Max. Boom Length: 76.2 m

Max. Fixed Jib Combination: 61.0 + 30.5 m



Photos in this catalog may include optional items.

The difference Is in Its Basic Performance

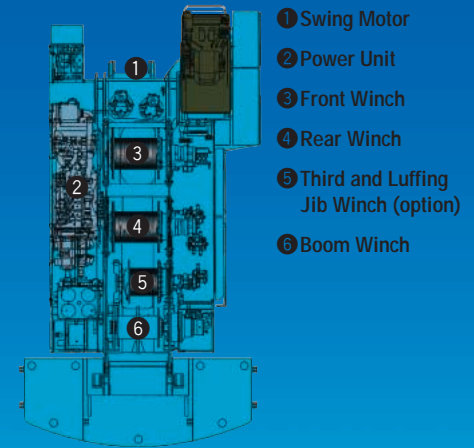
Whether positioning bridge girders or constructing tall buildings, smooth and speedy operation is the most important performance.

KOBELCO CKE1350 crawler crane is designed with the latest job trends in construction environment. With its excellent operability, sensitive controls, and most important, its safety features, the CKE1350 achieves the best balance in its overall performance.

In regular or tower crane operations for building construction, as well as civil engineering jobs such as clamshell, there's more than enough capacity.

The Difference is in its basic performance.

The CKE1350 from KOBELCO.

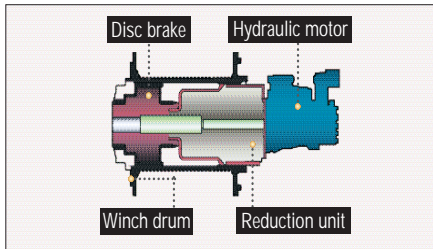


PERFORMANCE

Innovative Wet-Type Disc Brake System (Option)

KOBELCO's new oil cooled wet-type multi-disc brake system is first in its class and provides quiet, dependable braking power. Multiple discs are self-adjusting and self-equalizing. Forced oil circulation keeps brake temperatures cooler during long, continuous operations and maximizes smooth brake operation. The completely enclosed system eliminates the possibility of outside contamination, providing years of problem-free service life. The low brake pedal effort reduces operator fatigue when the machine is working in the optional free-fall mode.

Wet-type disc brake installed in winch drum:



Extremely Powerful Winches

The CKE1350's powerful winches boast a rated single line pull of 13.5 tf, reducing the number of parts of line involved and improving hoisting speed. The result realizes dynamic lifting capacities and continuous trouble-free operations.

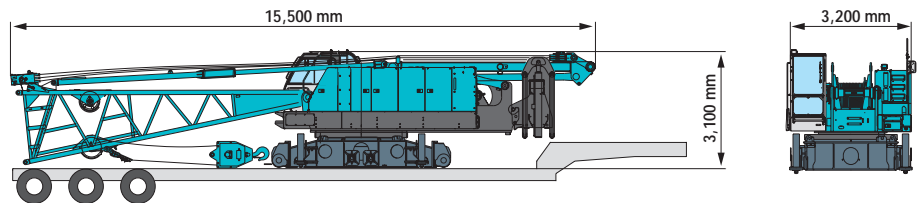
Large Capacity Drums

Wider drums avoid the chance of uneven winding, while extending the service life of the wire rope.

TRANSPORTATION

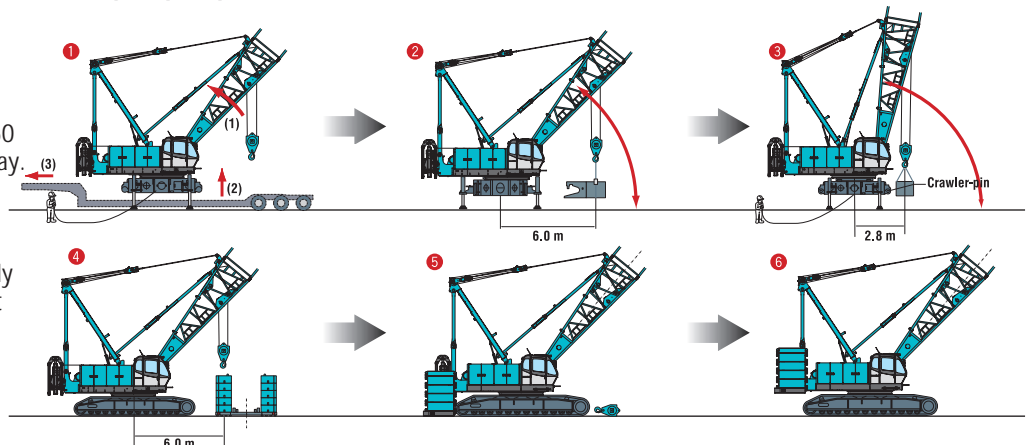
Transportation *Transport width* **3,200mm**

Separated from lower machinery, upper machinery has an overall height of 3,100 mm, allowing easy transportation.



Self-Erection Device

Use the built-in, remote controlled Translifter (Jack system) to lift CKE1350 clear of trailer, then drive the trailer away. Hydraulic cylinder raise the gantry to working position. The boom base reeved with a hook block is used to lift and attach the front and rear carbody counterweights, the rear counterweight assembly is raised in to position by another hydraulic cylinder.



CONTROLS & CAB

Roomy, Comfortable Cab



Precise Operation with Responsive Control



Full-hydraulic technology delivers quick, efficient operation with excellent precision. Pilot pressure-assisted control allows you to control the speed and power of each function in proportion to lever movement.



Electric Throttle Control

Sensitive engine control is assured by an electric throttle with a twist grip.



Inching Control Switch

The red switch on the boom lever grip allows easy inching control for hoist, boom hoist, and travel that the operator can activate without taking his hands off the boom hoist lever.

Swing power mode allows selection of NORMAL or POWER to suit job in hand

Swing power mode allows selection of NORMAL or POWER to suit job in hand. POWER mode directs hydraulic system to give priority to powering swing. With strong startups and acceleration, it's ideal for repetitive and continuous operations.

Swing Brake Can Be Selected to Suit Job in Hand

Swing control mode gives a choice of neutral free or neutral brake.

Low Speed Swing Control

Low-speed swing control function permits the machine to swing slowly even at high engine speeds.



Drum-Speed Controller

Drum-speed controller (for main and auxiliary hoist, boom hoist, and raising and lowering the luffing tower jib) makes it easier to move loads horizontally.

SAFETY

Load Moment Indicator System



With the Load Moment Indicator System installed, the current load status can be checked at a glance, from an easy-to-read LCD screen display. In the overload condition it automatically stops crane operations.

Function Lock Lever



Function lock lever prevents accidental operation when the operator enters or leaves the cab.

Key-Controlled Release Switches

Safety enhancing mechanisms can be individually engaged or cancelled for specific operational needs by using these keys such as free-fall operation and safety function. These keys can be kept by safety officer to prevent any human-error.



Optional Free-Fall Control Switches

The free-fall control switches, strategically located on the hoist levers, allow the operator to engage free-fall whenever desired without removing his hands from the control levers.



Swing Flashers

Swing flashers and a warning buzzer alert in vicinity when the machine is swinging.

SIMPLIFIED MAINTENANCE

Multi-Display



The easy-to-read LCD multi-display provides current status information on such functions as engine rpm, maintenance and on-board troubleshooting, providing the operator with an

ongoing real-time assessment of the machine's conditions at a glance.

Easy Maintenance

A new engine layout on the side of the machine provides easy access for routine inspections and servicing.



STANDARD EQUIPMENT

Main Machine

- Boom hoist pedal
- Air conditioner

Safety Device

- Drum safety pawl
- Boom backstops
- Boom over hoist auto-stop device
- Hook over hoist auto-stop device
- Swing lock pin
- Signal horn
- Overload alarm lamp
- Cab top guard
- Fire extinguisher

Transportation

- Counterweight self-removal
- Trans-Lifter • Crawler self-removal
- Base boom self-removal
- Gantry cylinder

Others

- Electric fuel pump
- Tool kits
- Operator's manual

OPTIONAL EQUIPMENT

Main Machine

- Free-fall function for main and aux. winch
- Drum rotation indicators (front and rear drum)
- Hydraulic tagline
- Electric fan
- Foot throttle
- One way call
- Service platform for machine room
- Obstacle light
- Reeving winch

Attachment

- Insert boom
- Hook
- Auxiliary sheave
- Fixed jib
- Wind sensor



Note: This catalog may contain photographs of machines with specifications, attachments and optional equipment not certified for operation in your country. Please consult KOBELCO for those items you maybe require. Due to our policy of continual product improvements all designs and specifications are subject to change without advance notice.

Copyright by KOBELCO CONSTRUCTION MACHINERY CO., LTD. No part of this catalog may be reproduced in any manner without notice.



KOBELCO CRANES CO., LTD.

17-1, Higashigotanda 2-chome, Shinagawa-ku, Tokyo, 141-8626 JAPAN
Tel: ++81 (0) 3-5789-2130 Fax: ++81 (0) 3-5789-3372

Inquiries To: