

Load Rating Chart

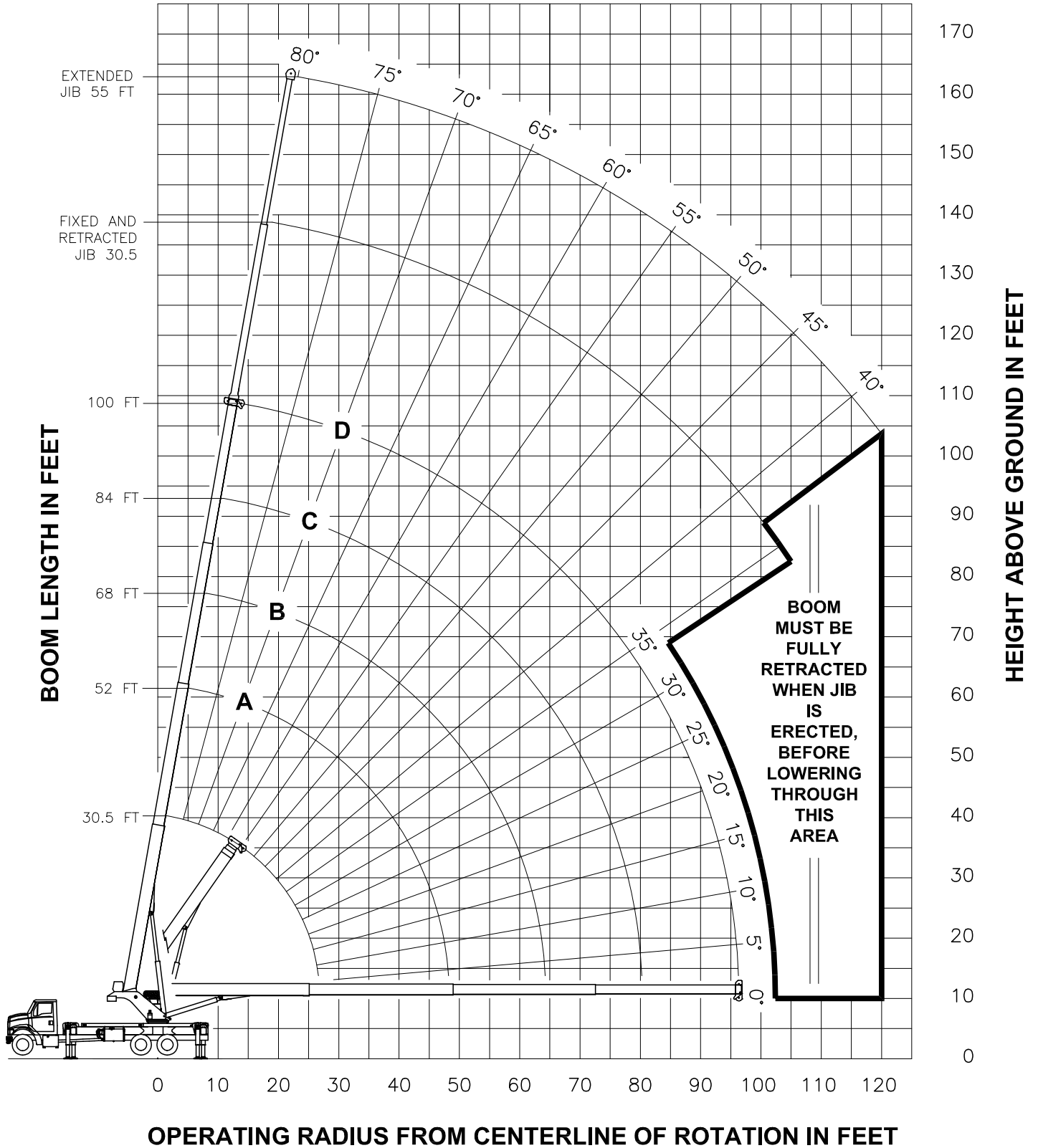
Model 40100S



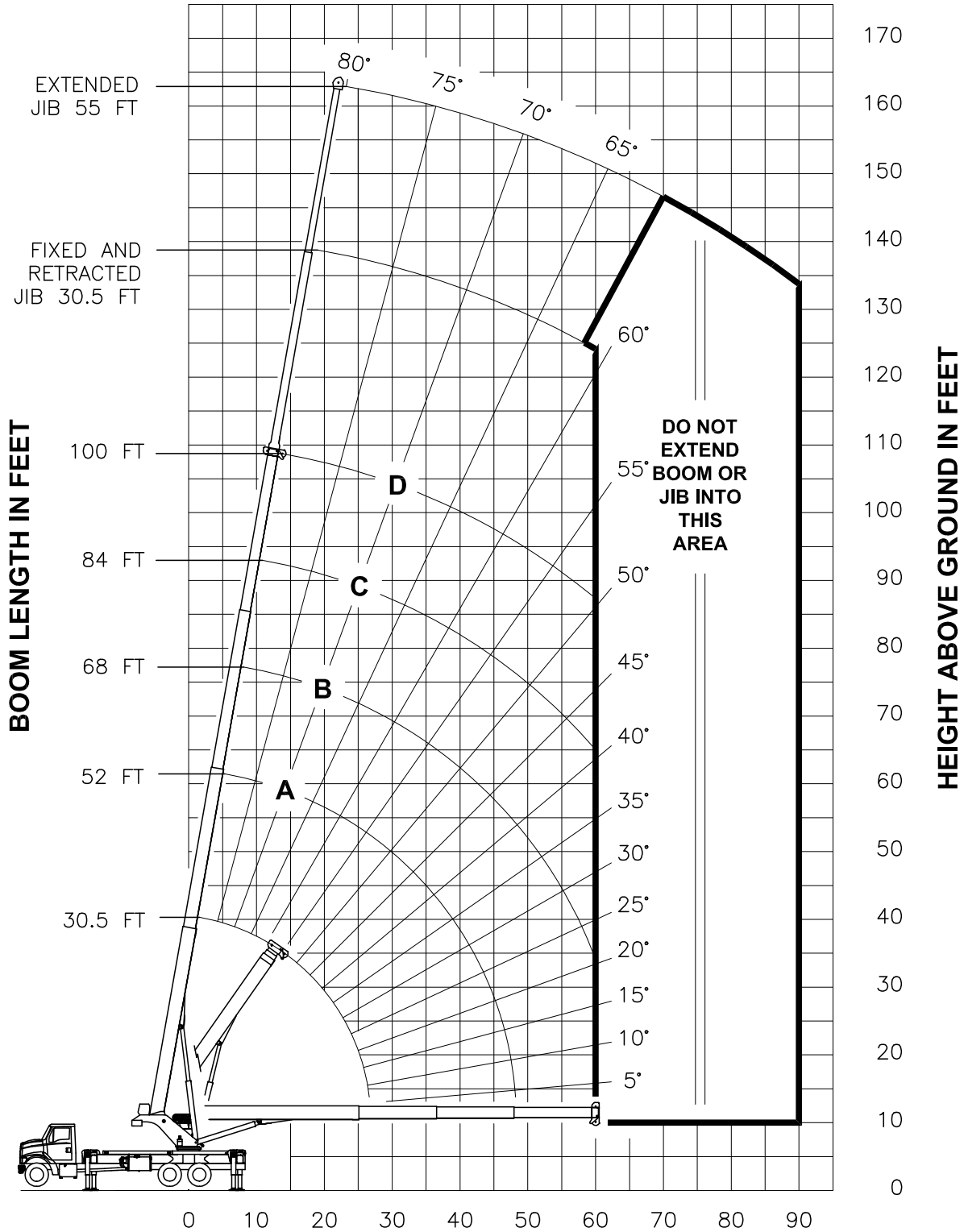
© Manitex 2000

NOTE: Additional copies of this Load Rating Chart can be purchased from your Manitex Distributor. When ordering, use the part number shown in the bottom left corner of this page.

RANGE DIAGRAM - FULLY EXTENDED OUTRIGGER CONFIGURATION -



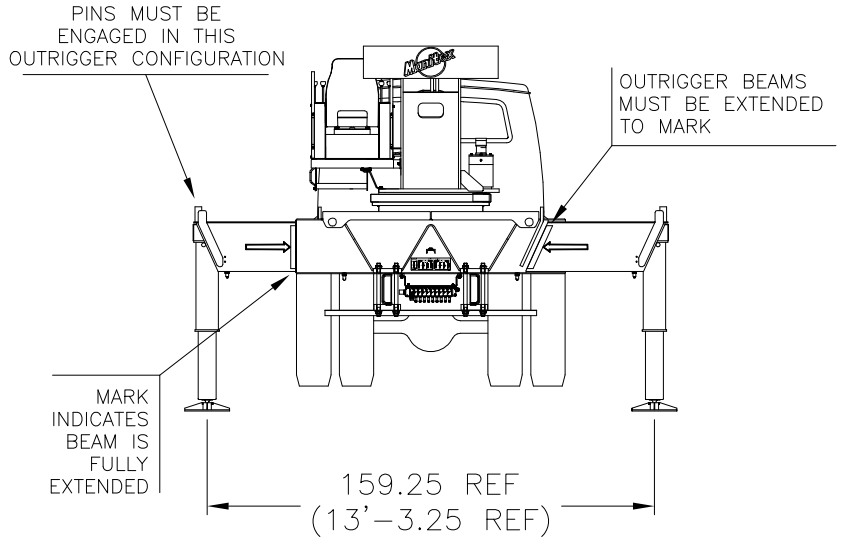
RANGE DIAGRAM - INTERMEDIATE OUTRIGGER CONFIGURATION -



OPERATING RADIUS FROM CENTERLINE OF ROTATION IN FEET

NOTE : LIFTING PERSONNEL WITH CRANE IN THIS OUTRIGGER CONFIGURATION IS STRICTLY PROHIBITED. USE ONLY FULLY EXTENDED OUTRIGGER CONFIGURATION WHEN LIFTING PERSONNEL.

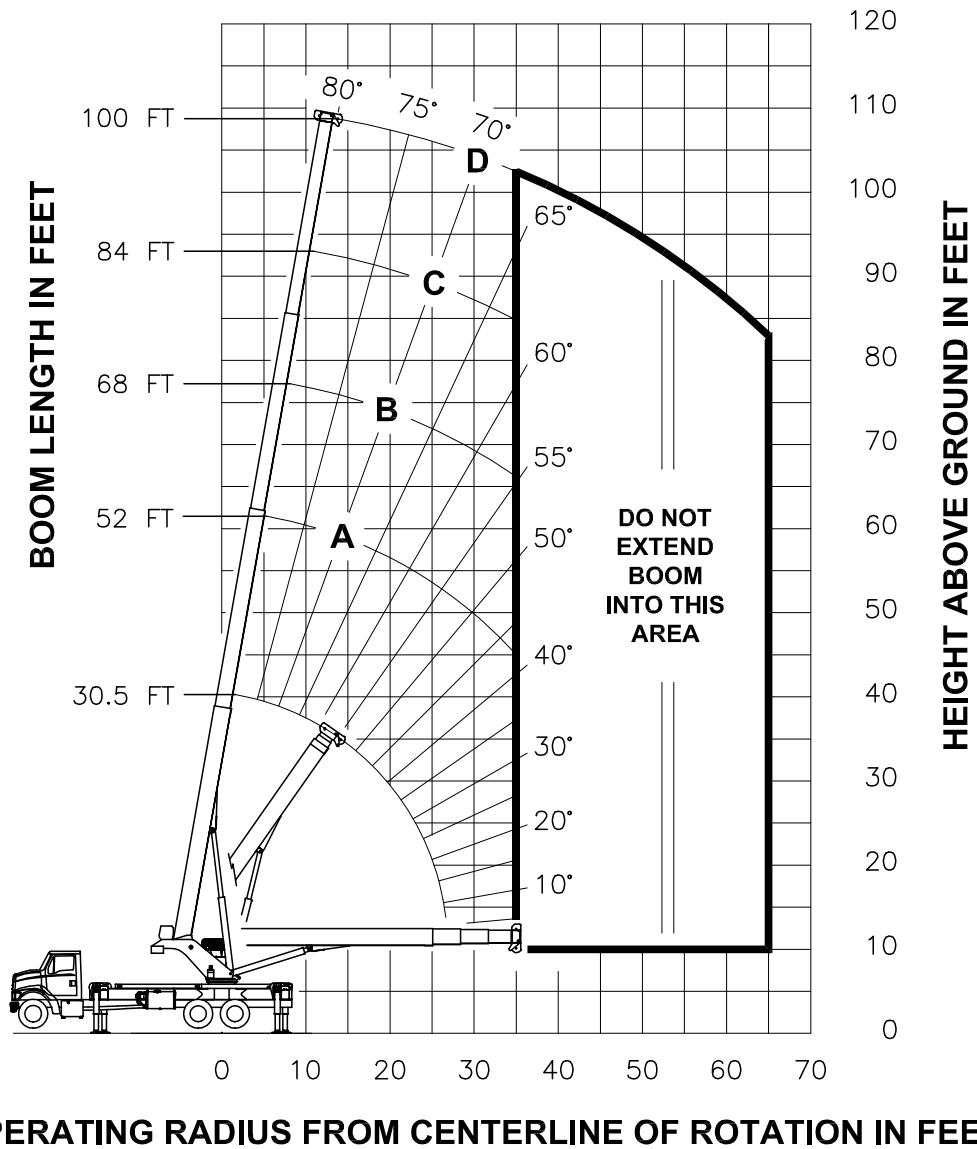
USE THIS CHART ONLY WHEN ALL OUTRIGGERS ARE IN THE INTERMEDIATE POSITION



- INTERMEDIATE OUTRIGGER CONFIGURATION -

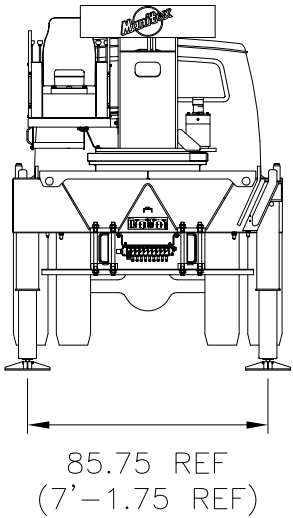
LOAD RATINGS IN LBS WITH ALL OUTRIGGERS IN THE INTERMEDIATE POSITION LMI CODE #9										JIB LOAD RATINGS IN LBS WITH ALL OUTRIGGERS IN THE INTERMEDIATE POSITION									
O P E R A T I N G R A D I U S I N F T	LOADED BOOM ANGLE		BOOM LENGTH AND MARKER								O P E R A T I N G R A D I U S I N F T	FIXED JIB		TELESCOPIC JIB					
					A		B		C			D		LMI CODE #10		LMI CODE #11		LMI CODE #12	
	°	30.5 FT	°	52 FT	°	68 FT	°	84 FT	°	100 FT		LOADED BOOM A N G E	JIB LENGTH FOR ALL BOOM LENGTHS SEE WARNING NOTE 4	LOADED BOOM A N G E	JIB LENGTH FOR ALL BOOM LENGTHS SEE WARNING NOTE 4	LOADED BOOM A N G E	JIB LENGTH FOR ALL BOOM LENGTHS SEE WARNING NOTE 4		
5	74	80000																	
8	68	61000										°	30.5 FT	°	30.5 FT	°	55 FT		
10	64	52860	76	31500						10									
12	60	43730	73	31500	78	31500				12									
15	53	26300	70	27320	76	27650	79	23700		15									
20	40	14620	64	15460	71	15730	76	15890	79	14000	20								
25	20	9240	58	10060	67	10290	72	10430	76	10530	25								
30			51	6960	62	7180	69	7310	73	7400	30	77	7300	77	7000				
35			43	4950	57	5170	65	5290	70	5370	35	75	5710	75	5290	78	4000		
40			34	3530	52	3750	61	3870	67	3950	40	73	4250	73	3830	76	3850		
45			22	2470	46	2700	57	2820	64	2900	45	71	3180	71	2760	74	3540		
50					39	1890	52	2010	60	2090	50	69	2360	69	1930	73	2690		
55					32	1250	48	1370	57	1440	55	66	1700	66	1270	71	2020		
60					22	720	43	850	53	920	60	64	1170	64	740	69	1470		
65											65					67	1020		
70											70					65	640		
										FIXED		DEDUCTIONS FOR STOWED JIBS							
										TELESCOPIC									
590 LBS		350 LBS		270 LBS		220 LBS		180 LBS											
890 LBS		530 LBS		400 LBS		330 LBS		280 LBS											

RANGE DIAGRAM - FULLY RETRACTED OUTRIGGER CONFIGURATION -



NOTE : LIFTING PERSONNEL WITH CRANE IN THIS OUTRIGGER CONFIGURATION IS STRICTLY PROHIBITED. USE ONLY FULLY EXTENDED OUTRIGGER CONFIGURATION WHEN LIFTING PERSONNEL.

**USE THIS CHART ONLY
WHEN ALL OUTRIGGERS
ARE FULLY RETRACTED**



- FULLY RETRACTED OUTRIGGER CONFIGURATION -

LOAD RATINGS IN LBS WITH ALL OUTRIGGERS FULLY RETRACTED
LMI CODE #13

OPERATING RADIUS FT	LOADED BOOM ANGLE		BOOM LENGTH AND MARKER											
					A		B		C		D			
	∠	30.5 FT	∠	52 FT	∠	68 FT	∠	84 FT	∠	100 FT				
5	74	80000												
8	68	31150												
10	64	19970	76	20890										
12	60	14080	73	14900	78	15170								
15	53	9110	70	9850	76	10080	79	10230						
20	40	4840	64	5520	71	5730	76	5850	79	5940				
25	20	2510	58	3210	67	3400	72	3520	76	3590				
30			51	1770	62	1960	69	2070	73	2140				
35			43	780	57	970	65	1080	70	1140				
		590 LBS		350 LBS		270 LBS		220 LBS		180 LBS				
		890 LBS		530 LBS		400 LBS		330 LBS		280 LBS				

**NO JIBS ARE TO
BE ERECTED IN
THIS OUTRIGGER
CONFIGURATION**

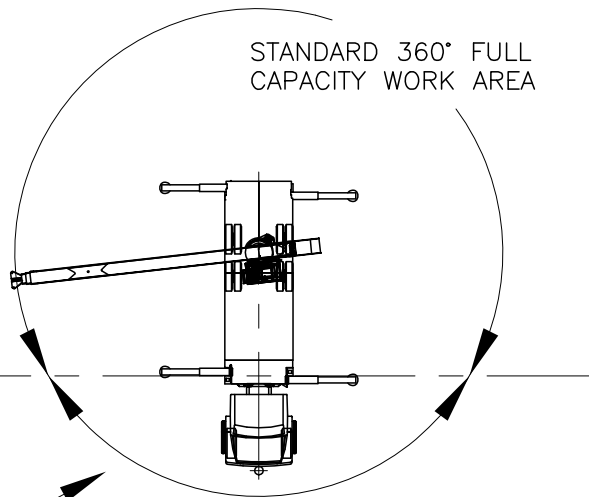
FIXED	DEDUCTIONS FOR STOWED JIBS
TELESCOPIC	

ALLOWABLE LINE PULL								WARNING
1 PART LINE	2 PART LINE	3 PART LINE	4 PART LINE	5 PART LINE	6 PART LINE	7 PART LINE	8 PART LINE	
								ANTI-TWO-BLOCK SYSTEM MUST BE IN GOOD OPERATING CONDITION BEFORE OPERATING CRANE. REFER TO THE OWNER'S MANUAL. KEEP AT LEAST 3 WRAPS OF LOAD LINE ON THE DRUM AT ALL TIMES.
9080 LBS	18160 LBS	27240 LBS	36320 LBS	45400 LBS	54480 LBS	63560 LBS	72640 LBS	5/8" ROT RESISTANT (5.0:1 SF) – 45400 LBS MIN BREAKING STRENGTH
10000 LBS	20000 LBS	30000 LBS	40000 LBS	50000 LBS	60000 LBS	70000 LBS	80000 LBS	5/8" 6 X 25 IWRC (3.5:1 SF) – 35000 LBS MIN BREAKING STRENGTH

AREA OF OPERATION

WARNING:

THE MACHINE MUST BE LEVEL AND THE FRONT TIRES IN CONTACT WITH THE GROUND OR THE OPTIONAL FRONT BUMPER STABILIZER MUST BE SET WHEN OPERATING IN THIS AREA.



DEDUCTIONS FROM RATED LOADS FOR LOAD HANDLING DEVICES SUPPLIED BY MANITEX

AUXILIARY BLOCK ----- 50 LBS
 OVERHAUL BALL ----- SEE OVERHAUL BALL MANUFACTURER NAMEPLATE
 LOAD BLOCK ----- SEE BLOCK MANUFACTURER NAMEPLATE
 HOSE REEL ----- 260 LBS
 SWING AROUND JIB (STOWED) ----- SEE LOAD CHART

LMI OPERATING CODES

SETTING	CRANE CONFIGURATION	OUTRIGGER CONFIGURATION
#1	— — MAIN BOOM — — — — —	FULLY EXTENDED
#2	— — FIXED JIB — — — — —	FULLY EXTENDED
#3	— — TELESCOPIC JIB—RETRACTED — — — — —	FULLY EXTENDED
#4	— — TELESCOPIC JIB—EXTENDED — — — — —	FULLY EXTENDED
#5	— — PERSONNEL LIFTING PLATFORM ON MAIN BOOM — — — — —	FULLY EXTENDED
#6	— — PERSONNEL LIFTING PLATFORM ON FIXED JIB — — — — —	FULLY EXTENDED
#7	— — PERSONNEL LIFTING PLATFORM ON TELESCOPIC JIB—RETRACTED — — — — —	FULLY EXTENDED
#8	— — PERSONNEL LIFTING PLATFORM ON TELESCOPIC JIB—EXTENDED — — — — —	FULLY EXTENDED
#9	— — MAIN BOOM — — — — —	INTERMEDIATE
#10	— — FIXED JIB — — — — —	INTERMEDIATE
#11	— — TELESCOPIC JIB—RETRACTED — — — — —	INTERMEDIATE
#12	— — TELESCOPIC JIB—EXTENDED — — — — —	INTERMEDIATE
#13	— — MAIN BOOM — — — — —	FULLY RETRACTED

WARNING

1. THE OPERATOR MUST READ AND UNDERSTAND THE OWNER’S MANUAL BEFORE OPERATING THIS CRANE.

2. POSITIONING OR OPERATION OF CRANE BEYOND AREAS SHOWN ON THIS CHART IS NOT INTENDED OR APPROVED EXCEPT WHERE SPECIFIED IN OWNER’S MANUAL.

3. LOADED BOOM ANGLES AT SPECIFIED BOOM LENGTHS GIVE ONLY AN APPROXIMATION OF THE OPERATING RADIUS. THE BOOM ANGLE BEFORE LOADING SHOULD BE GREATER TO ACCOUNT FOR DEFLECTIONS. DO NOT EXCEED THE OPERATING RADIUS FOR RATED LOADS.

4. THE OPERATING RADIUS SHOWN IN THE JIB RATING CHART IS FOR FULLY EXTENDED BOOM ONLY. WHEN BOOM IS NOT FULLY EXTENDED, USE ONLY LOADED BOOM ANGLE TO DETERMINE LOAD RATING OF JIB.

5. FOR BOOM ANGLES NOT SHOWN ON JIB LOAD RATING CHART, USE RATING OF NEXT LOWER BOOM ANGLE.

6. FOR BOOM LENGTHS NOT SHOWN, USE RATING OF NEXT SHORTER OR LONGER BOOM LENGTH, WHICHEVER IS LESS. FOR RADII NOT SHOWN, USE RATING OF NEXT LONGER RADIUS.

7. CRANE LOAD RATINGS ON OUTRIGGERS ARE BASED ON FREELY SUSPENDED LOADS WITH THE MACHINE LEVELED AND STANDING ON A FIRM UNIFORM SUPPORTING SURFACE. NO ATTEMPT SHALL BE MADE TO MOVE A LOAD HORIZONTALLY ON THE GROUND IN ANY DIRECTION.

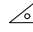
WARNING (CONTINUED)

8. PRACTICAL WORKING LOADS DEPEND ON SUPPORTING SURFACE, WIND, AND OTHER FACTORS AFFECTING STABILITY SUCH AS HAZARDOUS SURROUNDINGS, EXPERIENCE OF PERSONNEL, AND PROPER HANDLING, ALL OF WHICH MUST BE TAKEN INTO ACCOUNT BY THE OPERATOR.
9. THE MAXIMUM LOAD WHICH MAY BE TELESCOPED IS LIMITED BY HYDRAULIC PRESSURE, BOOM ANGLE, AND BOOM LUBRICATION. IT IS SAFE TO ATTEMPT TO TELESCOPE ANY LOAD WITHIN THE LIMITS OF THE LOAD RATING CHART.
10. LIFTING OFF THE MAIN BOOM POINT WHILE THE SWING AROUND JIB IS ERECTED IS NOT INTENDED OR APPROVED.

INFORMATION

1. DEDUCTIONS MUST BE MADE FROM RATED LOADS FOR STOWED JIB, OPTIONAL ATTACHMENTS, HOOKS, AND LOAD BLOCKS (SEE DEDUCTION CHART). WEIGHTS OF SLINGS AND ALL OTHER LOAD HANDLING DEVICES SHALL BE CONSIDERED A PART OF THE LOAD.
2. LOAD RATINGS ABOVE THE HEAVY LINE ARE STRUCTURALLY LIMITED CAPACITIES. LOAD RATINGS BELOW THE HEAVY LINE ARE STABILITY LIMITED CAPACITIES AND DO NOT EXCEED 85% OF TIPPING.

DEFINITIONS

1. OPERATING RADIUS IS THE HORIZONTAL DISTANCE FROM THE AXIS OF ROTATION TO THE CENTER OF THE VERTICAL HOIST LINE OR TACKLE WITH LOAD APPLIED.
2. LOADED BOOM ANGLE AS SHOWN IN THE COLUMN HEADED BY , IS THE INCLUDED ANGLE BETWEEN THE HORIZONTAL AND LONGITUDINAL AXES OF THE BOOM BASE AFTER LIFTING RATED LOAD AT RATED RADIUS.