

NOTES FOR "DIN 15019.2-75%" TABLES

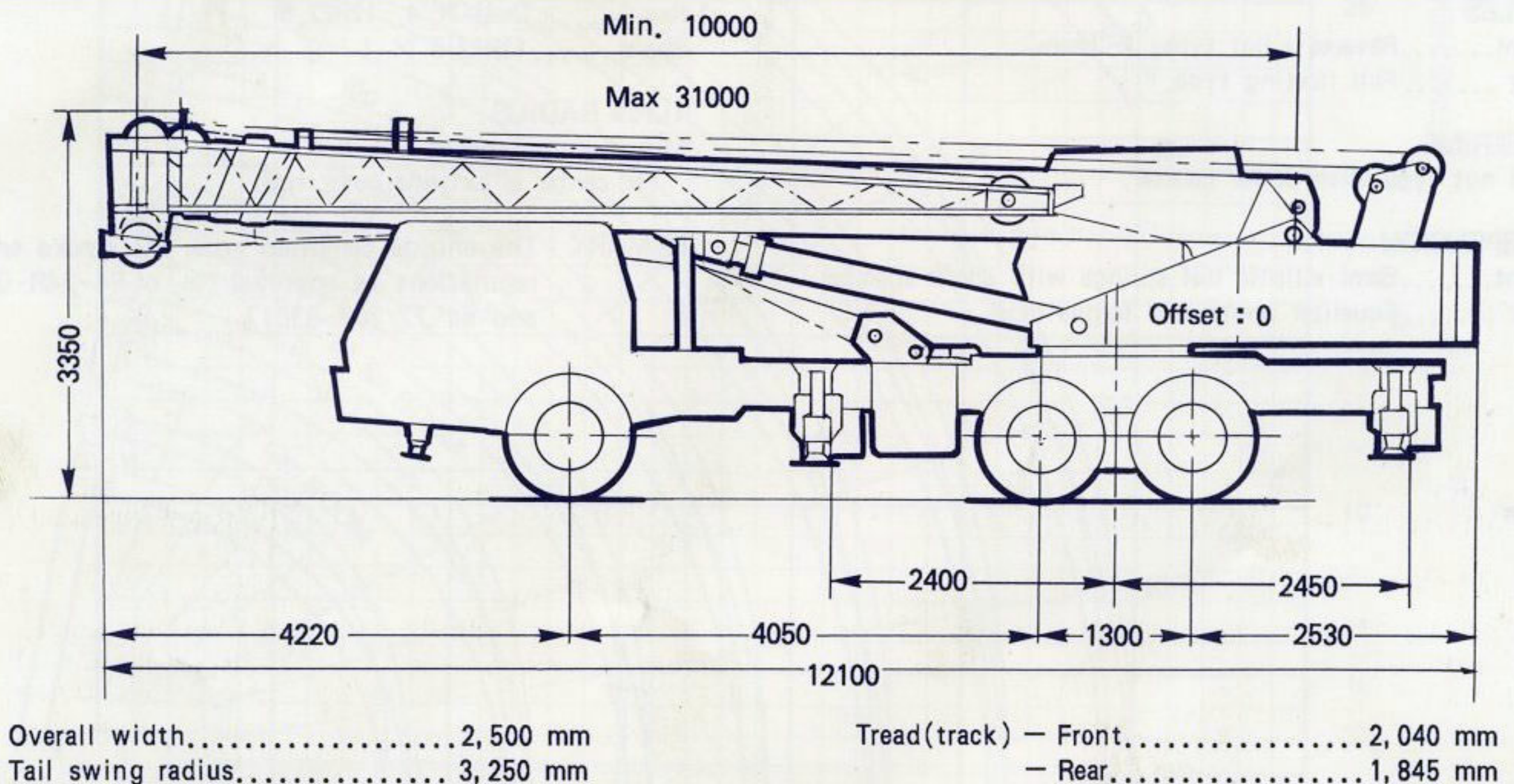
1. Total rated loads shown in the table are based on condition that crane is set on firm ground horizontally. Those above bold lines are based on crane strength and those below, on its stability.
2. Total rated loads below bold lines do not exceed 75 % of tipping load.
3. Each total rated load includes weight of the hooks (280 kg for 25 ton capacity, 60 kg for 3 ton capacity), and slings.
4. Without front jack extended, when the boom is within the over-front, total rated loads are different from those for the boom in the over-side and over-rear.
5. Standard number of part lines for each boom length is as shown below. Load per line should not surpass 3,150 kg for main winch and 3,000 kg for auxiliary winch.

Boom length (m)	10.0m	13.5m	17.0m	20.5m	24.0m	27.5m	31.0m	Jib/Single top
No. of part lines	8	7	7	4	4	4	4	1

6. For total rated load of single top, reduce load shown in following table from relevant total rated load. Total rated loads of single top should not exceed 3,000 kg.

Boom length (m)	10.0m	13.5m	17.0m	20.5m	24.0m	27.5m	31.0m
Load reduction	0kg	50kg	50kg	150kg	150kg	200kg	200kg

DIMENSIONS



Specifications are subject to change without notice.



TADANO INTERNATIONAL (EUROPE) B.V.
 ANTENNESTRAAT 6, 3903 LZ VEENENDAAL
 THE NETHERLANDS
 Telephone: 08385-23977
 Telex: 36650
 Facsimile: 08385-26337



TADANO LTD.
 4-12, Kamezawa 2-chome,
 Sumida-ku,
 Tokyo 130, Japan
 Telephone: Tokyo 03-621-7777
 Cable: TADANIRCO TOKYO
 Telex: J23755
 Facsimile: 03-621-7783

TL-250E

CARRIER: K203LAE

GENERAL DATA

CRANE CAPACITY	25,000kg at 3.0 m		
BOOM	4-section, 10.0m-31.0 m		
DIMENSIONS			
Overall length	approx.	12,100 mm	
Overall width	approx.	2,500 mm	
Overall height	approx.	3,350 mm	
WEIGHTS			
Gross vehicle weight	approx.	24,550 kg	
	front	approx.	6,300 kg
	rear	approx.	18,250 kg
PERFORMANCE			
Max. travelling speed	computed	70 km/h	
Gradeability($\tan \theta$)	computed	26 %	

CRANE SPECIFICATIONS

MODEL

TL-250E

CAPACITY

25,000kg at 3.0m

BOOM

4-section full length power telescoping boom of box construction with 4-sheaves at boom head. 3rd boom and top boom telescope synchronically by means of a double-acting cylinder, an extension cable and a retraction cable.

Hydraulic cylinders fitted with holding valves.

Fully retracted length..... 10.0 m

Fully extended length..... 31.0 m

Extension speed..... 21.0 m in 105 s

JIB

Single staged lattice swingaround boom extention. Dual offset (5° /30°)type. Single sheave at jib head. Stores alongside base boom section.

Length..... 8.0 m

SINGLE TOP (AUXILIARY BOOM SHEAVE)

Single sheave. Mounted to main boom head for single line work.

ELEVATION

By a double-acting hydraulic cylinder, fitted with holding valve.

Elevation speed..... -3° to+80° in 48 s

TOTAL RATED LOADS

SPEC. SHEET No. TL-250E-3-20101/EU-11

DIN 15019.2-75%

Unit : kg

Outriggers fully extended

Front jack extended (360°)

Front jack not extended (Over sides and rear)

B \ A								E	8.0m	
	10.0m	13.5m	17.0m	20.5m	24.0m	27.5m	31.0m		D	5°
3.0m	25,000	17,500	14,500	9,500				80°	2,750	1,350
3.5m	20,600	17,500	14,500	9,500				75°	2,750	1,350
4.0m	18,000	17,500	14,500	9,500	7,500	6,500		70°	2,300	1,300
4.5m	16,300	15,800	14,500	9,500	7,500	6,500		65°	2,000	1,250
5.0m	14,850	14,400	13,250	9,500	7,500	6,500	6,000	60°	1,600	1,200
5.5m	13,650	13,250	12,200	9,500	7,500	6,500	6,000	55°	1,300	1,000
6.0m	12,300	12,200	11,300	9,500	7,500	6,500	6,000	50°	950	850
6.5m	11,200	11,000	10,500	9,500	7,500	6,500	6,000	45°	650	600
7.0m	10,250	10,000	9,800	8,850	7,500	6,500	6,000	40°	400	350
7.5m	9,400	9,200	9,100	8,350	7,500	6,500	6,000	35°	250	
8.0m	8,650	8,450	8,350	7,900	7,050	6,200	5,650			
9.0m		7,200	7,100	7,000	6,350	5,600	5,050			
10.0m		6,100	6,050	6,400	5,750	5,100	4,600			
12.0m			4,150	4,500	4,700	4,300	3,900			
14.0m			3,000	3,300	3,500	3,650	3,350			
16.0m				2,450	2,650	2,800	2,850			
18.0m				1,800	2,000	2,150	2,300			
20.0m					1,500	1,650	1,800			
22.0m					1,100	1,250	1,400			
24.0m						950	1,050			
26.0m							800			
28.0m							550			
29.0m							450			

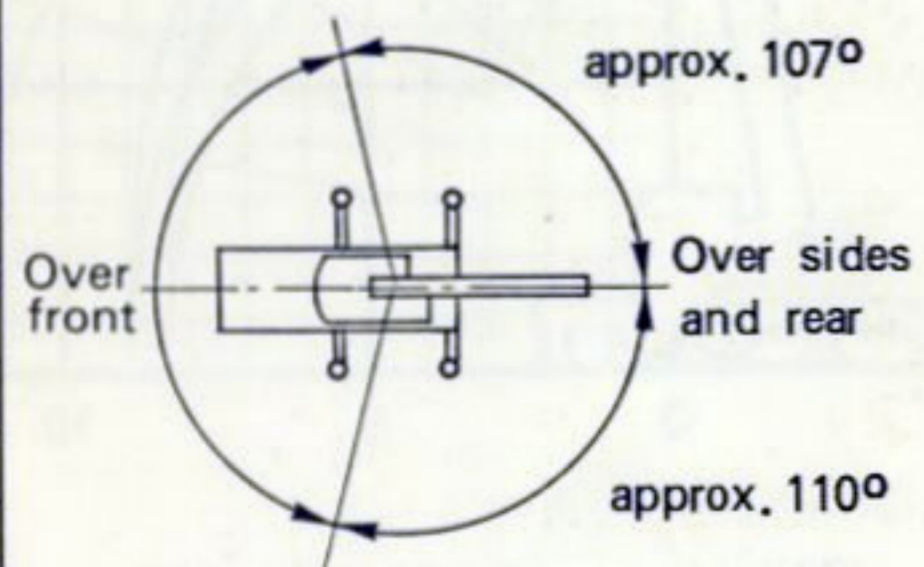
- A : Boom length
- B : Working radius
- C : Jib length
- D : Jib offset
- E : Boom angle

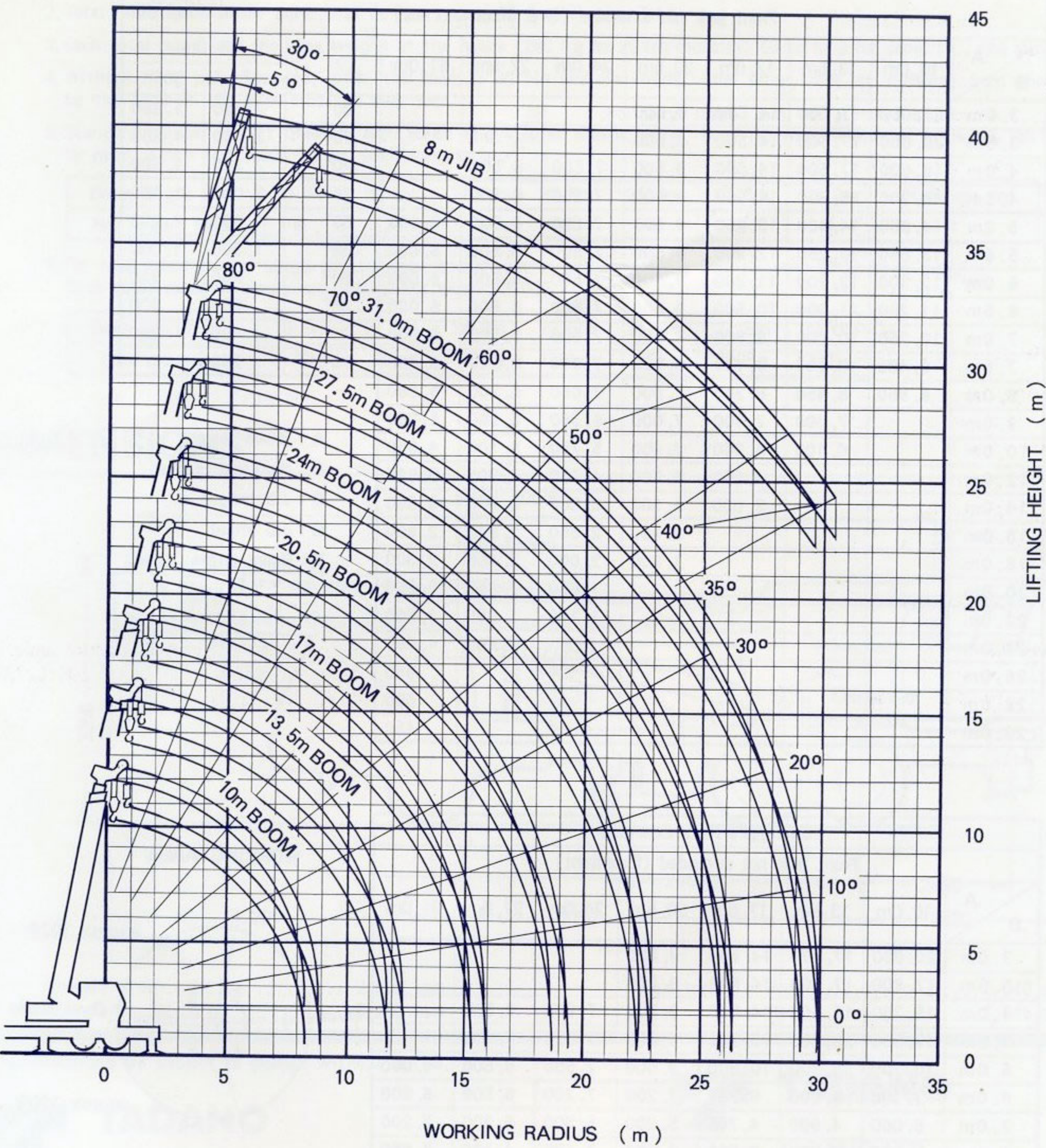
Outriggers fully extended

Front jack not extended (Over front)

B \ A	10.0m	13.5m	17.0m	20.5m	24.0m	27.5m	31.0m
3.0m	20,000	17,500	14,500	9,500			
3.5m	17,800	17,500	14,500	9,500			
4.0m	15,700	15,400	14,500	9,500	7,500	6,500	
4.5m	13,800	13,600	13,200	9,500	7,500	6,500	
5.0m	10,700	10,500	10,300	9,500	7,500	6,500	6,000
6.0m	7,100	6,900	6,700	7,200	7,200	6,500	6,000
7.0m	5,000	4,900	4,700	5,200	5,300	5,300	5,200
8.0m	3,800	3,700	3,500	3,900	4,100	4,100	4,050
9.0m		2,700	2,600	2,900	3,100	3,200	3,250
10.0m		2,100	2,000	2,300	2,500	2,650	2,650
12.0m			1,000	1,300	1,500	1,650	1,700
14.0m			400	700	900	1,050	1,100
16.0m					450	550	650

WORKING AREA





NOTE:
The above lifting heights and boom angles are based on a straight (unladen) boom, and allowance should be made for boom deflection obtained under laden conditions.