

### QMC Load Chart for 3637P

Radius in Feet	Over Rear			Over Side			Over Front		
	23' Boom	30' Boom	37' Boom	23' Boom	30' Boom	37' Boom	23' Boom	30' Boom	37' Boom
6	52,170*			52,170*			52,170*		
8	42,520*	40,160*		42,520*	40,160*		42,520*	40,160*	
10	36,400*	34,030*	32,520*	36,400*	34,030*	32,520*	36,400*	34,030*	32,520*
12	<b>32,140*</b>	<b>30,000*</b>	<b>28,480</b>	<b>32,140*</b>	<b>30,000*</b>	<b>28,480</b>	32,140*	30,000*	28,480
15	25,160	<b>25,230</b>	<b>24,050</b>	25,280	25,500	<b>24,050</b>	27,810	25,540	24,050
18	18,540	18,740	18,850	16,490	16,680	16,780	<b>24,470</b>	<b>22,450</b>	<b>21,000</b>
20	14,750	14,950	15,050	13,230	13,420	13,510	<b>22,470</b>	<b>20,840</b>	<b>19,440</b>
22	12,070	9,670	-	10,880	-	-	<b>17,780</b>	-	-
25		-	9,760		8,770	8,860		<b>17,630</b>	<b>16,520</b>
29		7,310	-		6,650	-		13,200	-
30			7,020			6,390			<b>14,370</b>
35			5,330			4,850			<b>12,140</b>
36			5,040			4,590			<b>10,360</b>

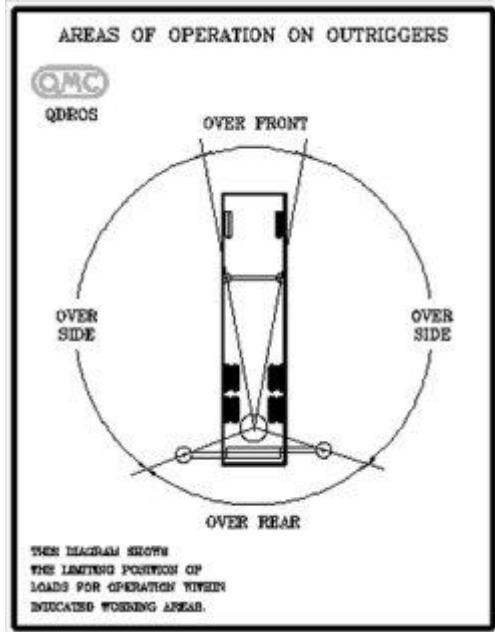
\*Maximum load with standard reeving is 30,000 LB.

Numbers shown in bold type (above tipping line) indicate structural capacity limits.  
All other numbers indicate tipping limits. Actual numbers may vary due to differences  
in finished weight, wheelbase, etc.

Wire Rope Capacity (LBS).							
Parts Line	1	2	3	4	5	6	7
Line Pull	7,600	15,200	22,800	30,400*	38,000*	45,600*	53,200*

Do not exceed parts of line ratings.

### Structural Load Chart



Radius in Feet	Boom Angle	23 Foot Boom	Boom Angle	30 Foot Boom	Boom Angle	37 Foot Boom
6	77	52,170*				
8	72	42,520*	77	40,160*		
10	66	36,400*	73	34,030*	78	32,520*
12	60	32,140*	69	30,000*	74	28,480
15	51	27,810	62	25,540	69	24,050
18	39	24,470	55	22,450	63	21,000
20	29	22,470	50	20,840	59	19,440
22	0	17,780	-	-	-	-
25			34	17,630	49	16,520
29			0	13,200	-	-
30					37	14,370
35					17	12,140
36					0	10,360

