



# B46 BLUELIFT

## The BLUELIFT Series

Meet our new line of aerial lifts from the well-renowned Italian manufacturer Bluelift s.r.l., now exclusively distributed in the US, Canada and Mexico by ReachMaster, Inc. Innovation, quality, superior design and above all safety are trademarks of Bluelift s.r.l.. With working heights from 39 to 72 feet, in and outdoor use and access through a single or double door. We now offer BlueLifts with lithium batteries and combustion motor combined. This combination is a first on the market for this size of compact lifts! The BlueLift series appeals to a broad range of applications: Rental industry (residential as well as commercial), window cleaners, building maintenance, tree care industry and HVAC operators to mention a few.

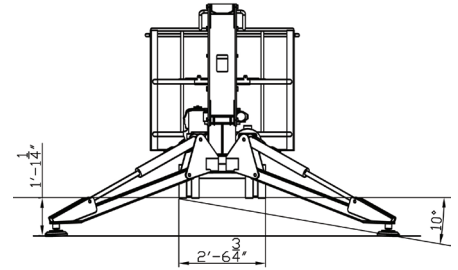
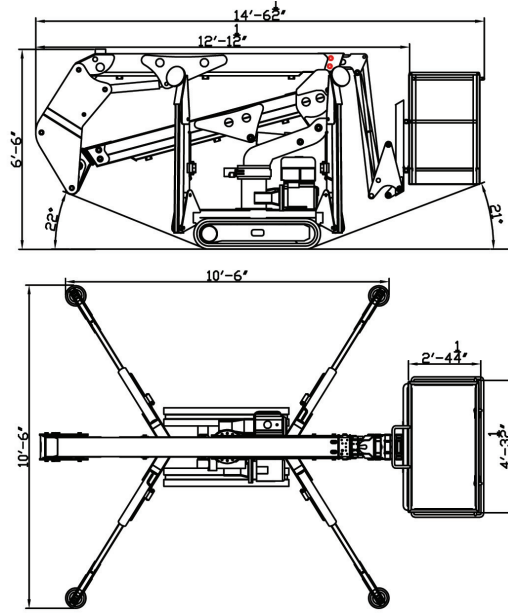
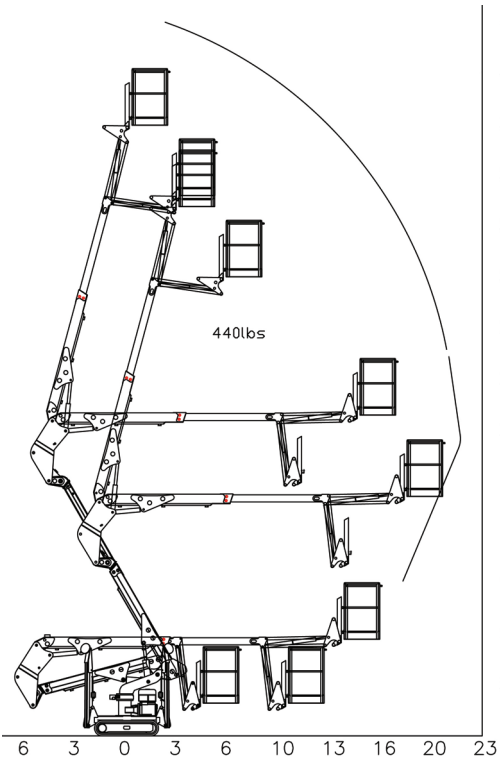
- Available in 4 models from 39ft - 72ft
- Now Available: Lithium battery and motor
- Pass through a single or double door opening
- Automatic outrigger setting
- Full work height with 440 lbs in the basket
- 110V to the basket
- Set up on uneven surfaces
- Detachable basket

## Model

## B46

|                         |                   |
|-------------------------|-------------------|
| Working height          | 46ft              |
| Basket height           | 40ft              |
| Max outreach            | 21ft              |
| Basket load             | 440lbs            |
| Basket dims             | 4ft3½in x 2ft4¼in |
| Basket rotation (opt)   | +/-90°            |
| Turret rotation         | 360°              |
| Height                  | 6ft6in            |
| Length (w/o basket)     | 12ft1½in          |
| Length (w/ basket)      | 14ft6½in          |
| Width (w/o basket)      | 2ft6¾in           |
| Footprint               | 10ft6in           |
| Weight (approx)         | 4,070lbs          |
| Max pressure, tracks    | 6.7psi            |
| Max pressure, footplate | 65.3psi           |
| Track size (per track)  | 44in x 6½in       |
| Foot pad size (per pad) | 48½sq in          |
| 110V drive motor        | Standard          |
| Honda gasoline engine   | Standard          |
| Hatz diesel engine      | Option            |
| Lithium battery         | Option            |

We reserve the right to alterations



# B46 BLUELIFT

## Standard Equipment

- Computer controlled (can-bus)
- Proportional control of all functions
- Self stabilizing system
- Self propelled
- 110V drive motor
- Honda iGX440 15HP engine
- 360° non cont. turret rotation
- Manual pump for emergency lowering
- Width of only 2ft7in
- 2 person basket
- Full work height with 440lbs in basket
- Space for tools etc in basket
- 110V to the basket
- Wireless control
- FMS (Function Memory Control)
- Automatic turret center stop

## Optional Equipment

- Hatz diesel engine
- Adjustable tracks
- Lithium battery

## Additional Specifications

|                    |          |
|--------------------|----------|
| Boom angle         | 0°/ +75° |
| Oil tank capacity  | 8gal     |
| Max windspeed      | 28mph    |
| Operating speed    | 0.9mph   |
| Travel speed       | 0.9mph   |
| Drive gradability  | 15°/28%  |
| Set-up gradability | 10°/18%  |

