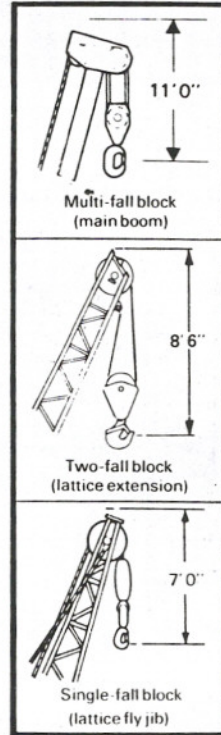
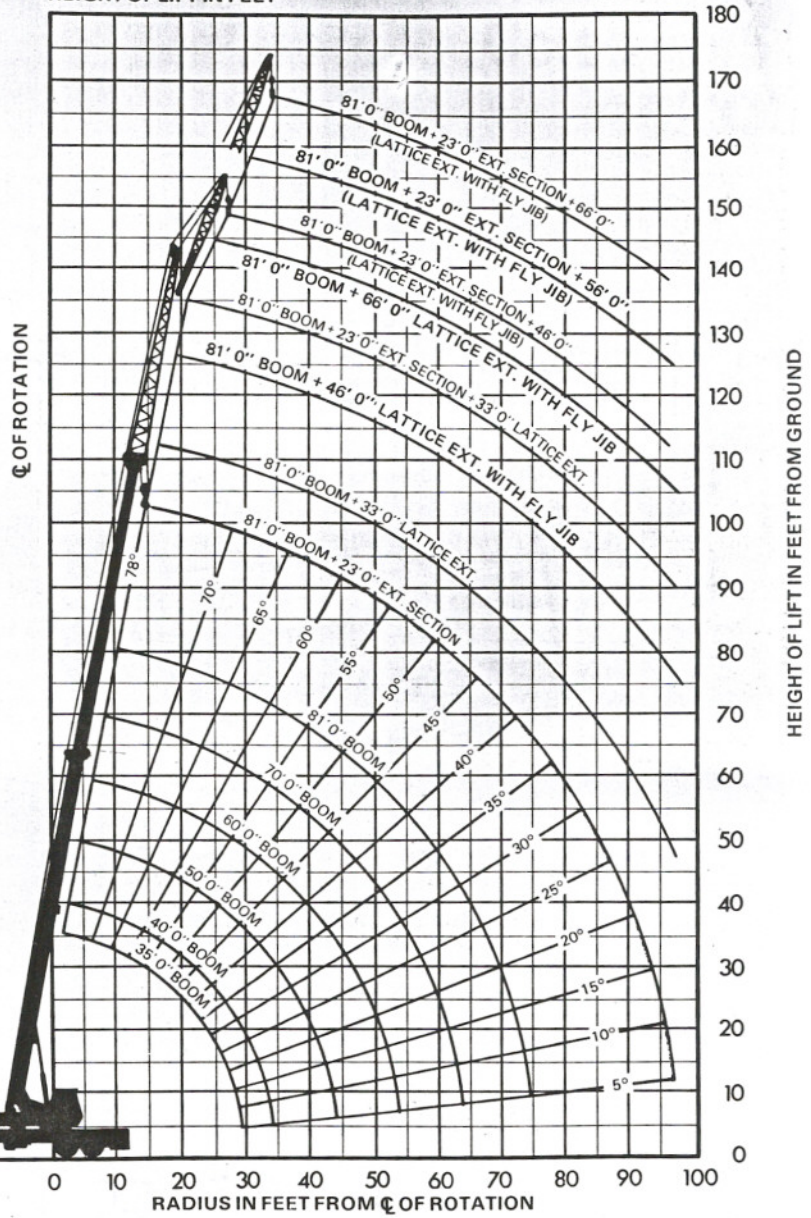


# Coles 45/50

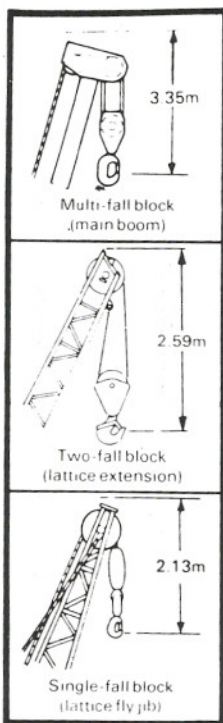
**HEIGHT TO BOOM HEAD**  
Add to hook height for  
head room calculations



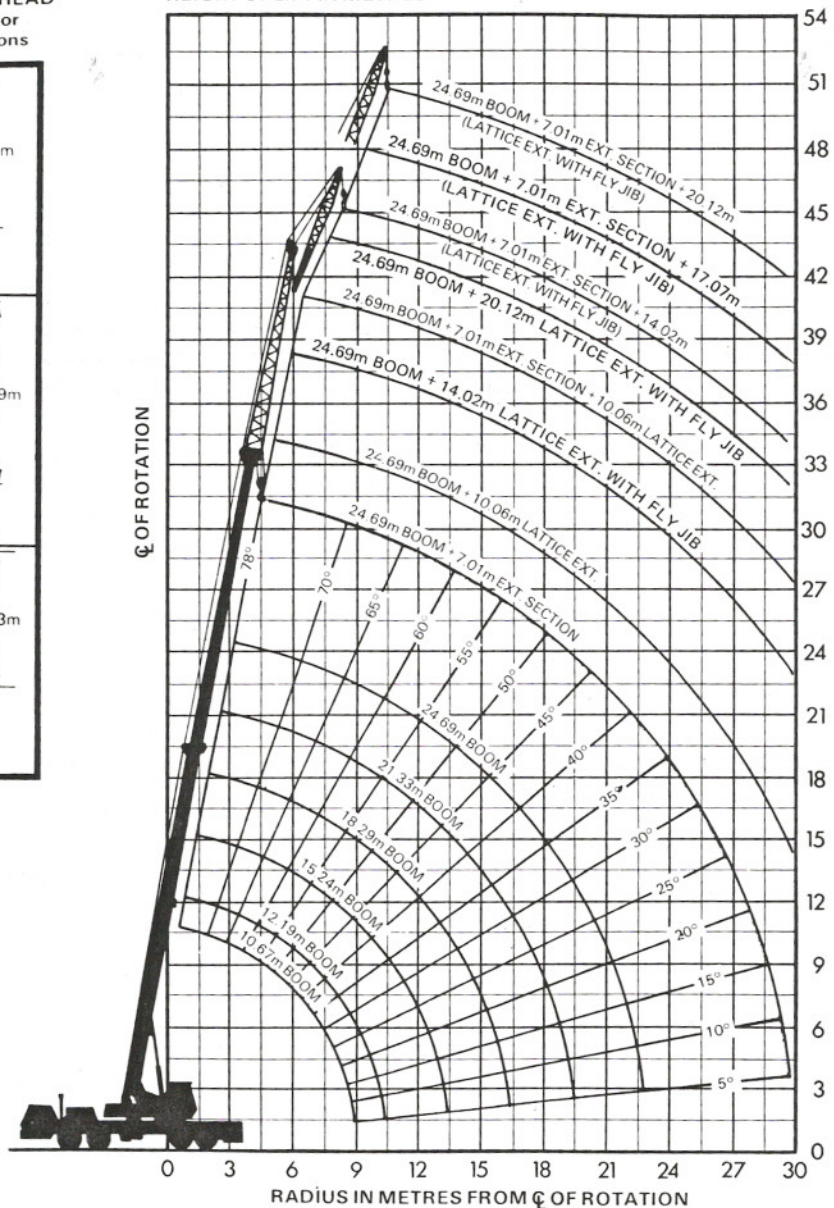
**HEIGHT OF LIFT IN FEET**



**HEIGHT TO BOOM HEAD**  
Add to hook height for  
head room calculations



**HEIGHT OF LIFT IN METRES**

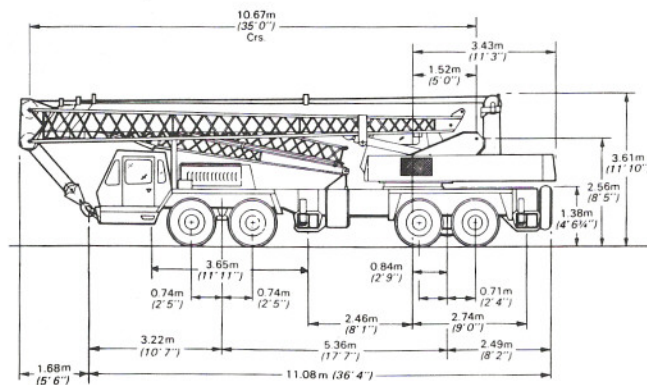


**MAIN BOOM CAPACITIES — TONS THROUGH FULL CIRCLE SLEW**  
(with the six outrigger jacks in use see notes below)

Radius in Feet	Boom Length Note: Extension Section must be Fully Retracted for these duties					
	35' 0" Fully Retracted	35' 0" to 40' 0"	40' 0" to 50' 0"	50' 0" to 60' 0"	60' 0" to 70' 0"	70' 0" to 81' 0"
10' 0"	45.00	33.90				
12' 0"	40.00	33.90	32.15			
15' 0"	32.50	32.00	28.70	26.80		
20' 0"	24.30	24.30	24.30	23.65	19.00	
25' 0"	17.60	17.60	17.60	17.60	16.40	15.00
30' 0"			12.25	12.25	12.25	12.25
35' 0"				8.05	8.05	8.05
40' 0"				6.10	6.10	6.10
50' 0"					3.85	3.85
60' 0"					2.40	2.40
70' 0"						1.45

**ANGLE BASED CAPACITIES — TONS THROUGH FULL CIRCLE SLEW**  
(with the six outrigger jacks in use see notes below)

Laden Boom Angle	35' 0" to 81' 0" Boom Fully Telescoping plus				58' 0" to 104' 0" Boom Fully Telescoping plus					
	23' 0" Extension Extended		33' 0" Lattice Extension		33' 0" Lattice Extension		33' 0" Lattice Extension plus			
	capacity	max. radius	capacity	max. radius	capacity	max. radius	20' 0" Fly Jib		40' 0" Fly Jib	
76°	9.25	26' 6"	8.30	30' 6"	4.80	38' 0"	3.40	48' 0"	1.30	57' 6"
73°	8.90	31' 0"	7.25	36' 0"	4.45	44' 6"	3.05	54' 0"	1.20	66' 0"
70°	8.20	36' 0"	6.25	41' 6"	4.15	51' 0"	2.65	61' 6"	1.10	75' 0"
65°	5.55	44' 0"	4.45	50' 6"	3.10	61' 6"	2.15	73' 0"	1.00	88' 0"
60°	3.90	52' 0"	3.25	59' 0"	2.15	72' 0"	1.65	84' 0"	0.90	100' 0"
55°	3.00	59' 0"	2.40	67' 0"	1.60	81' 6"	1.15	94' 0"		
50°	2.30	66' 6"	1.90	74' 6"	1.15	90' 6"				
45°	1.80	72' 6"	1.45	81' 0"						
40°	1.50	78' 6"	1.10	87' 6"						
35°	1.15	84' 0"								



**MAIN BOOM CAPACITIES — KILOGRAMMES THROUGH FULL CIRCLE SLEW**  
(with the six outrigger jacks in use see notes below)

Radius in Metres	Boom Length Note: Extension Section must be Fully Retracted for these duties					
	10.67m Fully Retracted	10.67m to 12.19m	12.19m to 15.24m	15.24m to 18.29m	18.29m to 21.33m	21.33m to 24.69m
3.00	45000	34500				
3.50	41500	34500	33000			
4.50	33250	32700	29300	27350		
6.00	25000	25000	25000	24150	19500	
7.50	18200	18200	18200	18200	16750	15400
9.00			12750	12750	12750	12750
10.50				8400	8400	8400
12.00				6300	6300	6300
15.00					4000	4000
18.00					2500	2500
21.00						1500

**ANGLE BASED CAPACITIES — KILOGRAMMES THROUGH FULL CIRCLE SLEW**  
(with the six outrigger jacks in use see notes below)

Laden Boom Angle	10.67 - 24.69m Boom Fully Telescoping plus				17.69 - 31.70m Boom Fully Telescoping plus					
	7.01m		10.06m		10.06m		10.06m Lattice Extension plus			
	Extension Extended		Lattice Extension		Lattice Extension		6.10m Fly Jib		12.20m Fly Jib	
	capacity	max. radius	capacity	max. radius	capacity	max. radius	capacity	max. radius	capacity	max. radius
76°	9400	8.10m	8450	9.30m	4875	11.60m	3450	14.65m	1325	17.50m
73°	9000	9.45m	7375	11.00m	4525	13.55m	3100	16.50m	1240	20.10m
70°	8250	11.00m	6350	12.65m	4200	15.55m	2700	18.75m	1125	22.85m
65°	5600	13.40m	4525	15.40m	3150	18.75m	2175	22.25m	1000	26.80m
60°	3950	15.85m	3300	18.00m	2200	22.00m	1675	25.60m	910	30.50m
55°	3025	18.00m	2450	20.40m	1650	24.85m	1150	28.65m		
50°	2300	20.25m	1900	22.70m	1170	27.60m				
45°	1825	22.10m	1450	24.70m						
40°	1500	23.95m	1125	26.65m						
35°	1200	25.60m								

