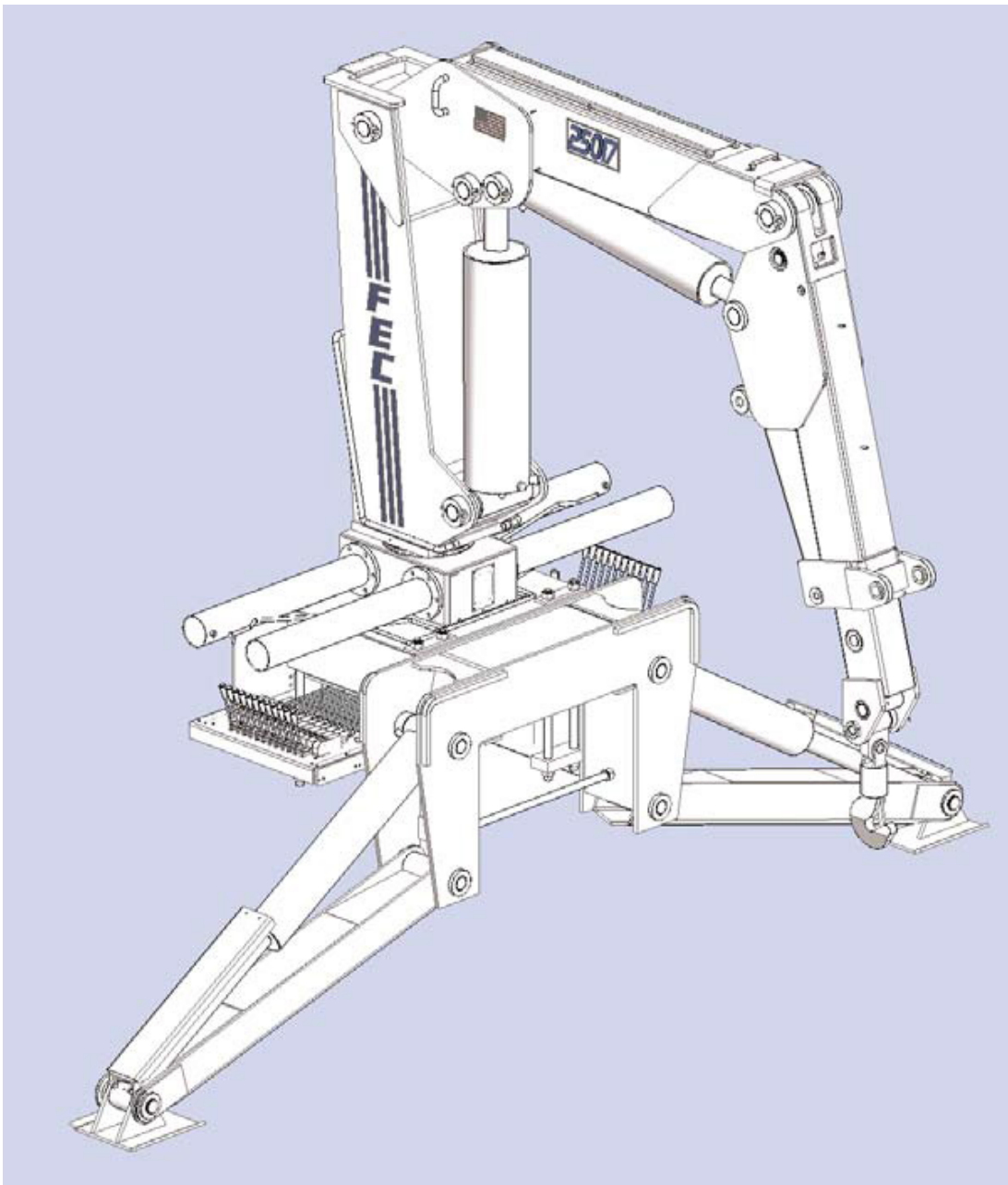


Model 25017 Crane



240,000 ft. lbs. Rating

Crane Capacity Rating:	24,000 lbs.
Maximum Reach:	17'
Crane Weight:	9,900 lbs.
Chassis RBM Required:	3,100,000 in. lbs.