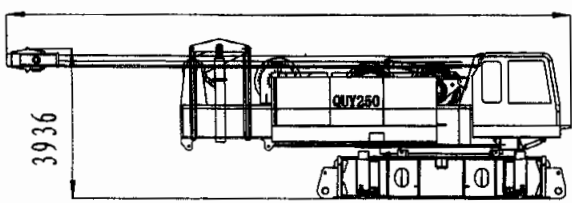
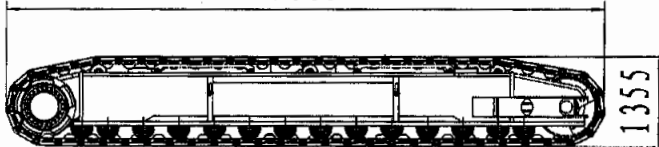
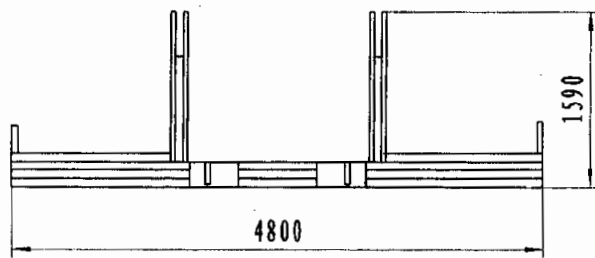


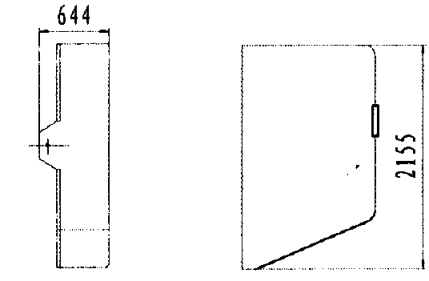
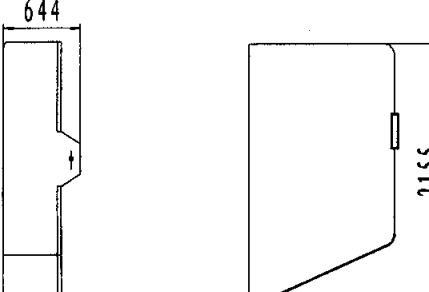
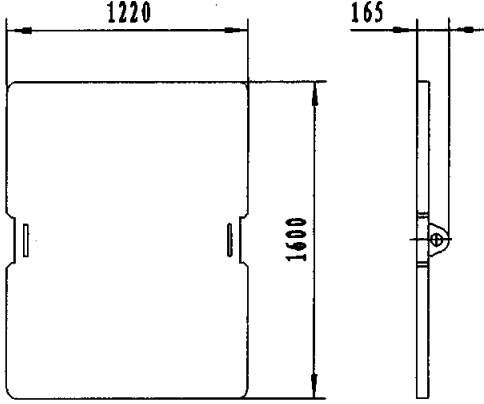
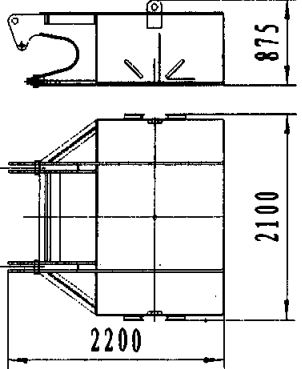
**8.3 Dimensions and Weights of All Components**

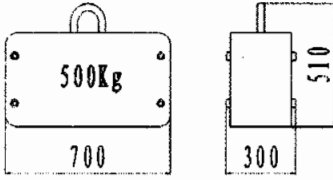
**8.3.1 Base machine**

Names	Dimensions (mm) Length×Width×Height	Weight (kg)	Qty
<p><b>Superstructure</b> Including: bearing, front winch, rear winch, main derricking winch, mast, self-assembly cylinder, connecting part, central ballast, jack-up cylinder, counterweight, self-assembly device)</p>	<p style="text-align: center;">About 12m</p>  <p style="text-align: center;">12000×3280×3946</p>	54000	1
<p><b>Crawler assy</b> Total width of the crawler: 7600mm Width of track shoe: 1200 mm</p>	<p style="text-align: center;">9365</p>  <p style="text-align: center;">9365×1540×1355</p>	23600	2

**8.3.2 Counterweight**

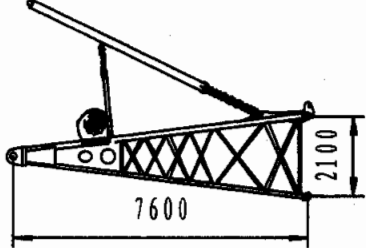
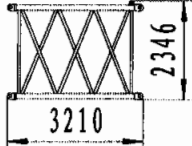
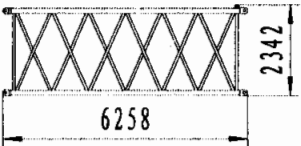
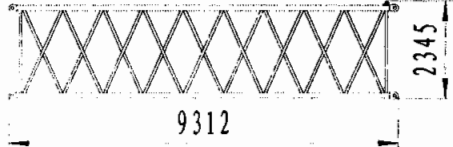
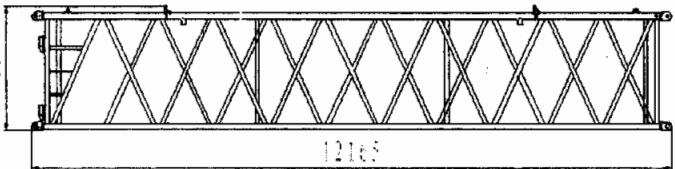
Names	Dimensions (mm) Length×Width×Height	Weight (kg)	Qty
<p>Counterweight (tray)</p>	 <p style="text-align: center;">4800×2155×1590</p>	17000	1

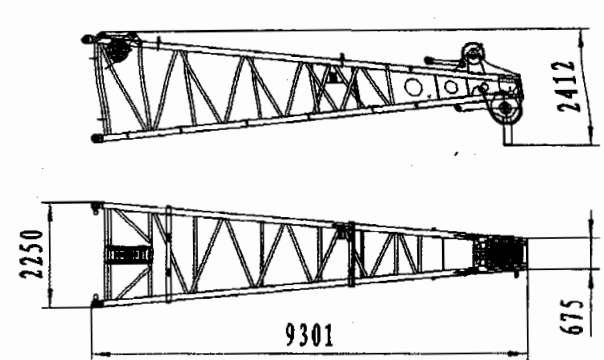

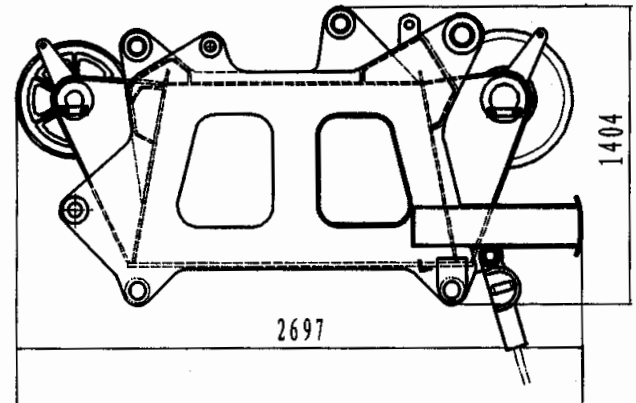
<p>Counterweight A</p>	 <p style="text-align: center;"><math>2155 \times 1220 \times 644</math></p>	<p>6750 per piece</p>	<p>5</p>
<p>Counterweight B</p>	 <p style="text-align: center;"><math>2155 \times 1220 \times 644</math></p>	<p>6650 per piece</p>	<p>5</p>
<p>Assistant counterweight</p>		<p>918 per piece</p>	<p>2</p>
<p>Central ballast</p>	 <p style="text-align: center;"><math>2200 \times 2100 \times 875</math></p>	<p>11800 per piece</p>	<p>2</p>

Ballast on luffing jib top	 <p>500Kg 700 300 510 700×300×510</p>	500Kg	2
----------------------------	--	-------	---

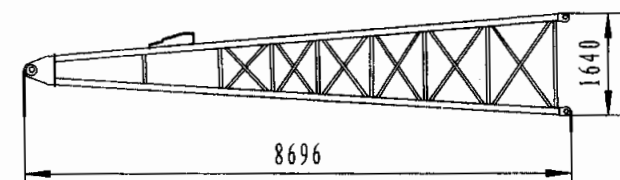
**8.3. 3 Boom System**

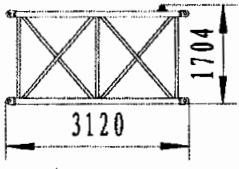
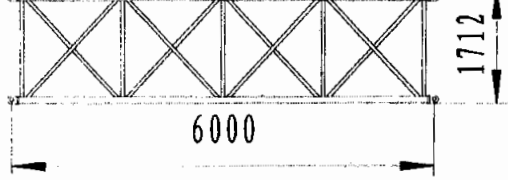
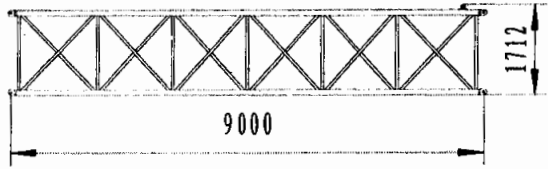
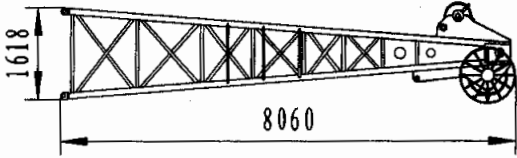
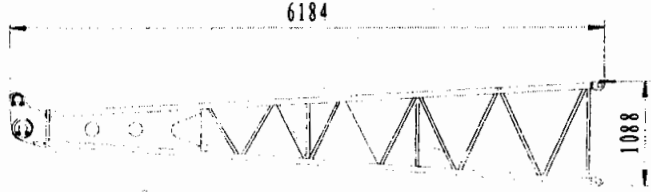
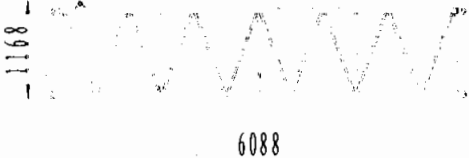
**8.3.3.1 Main Boom**

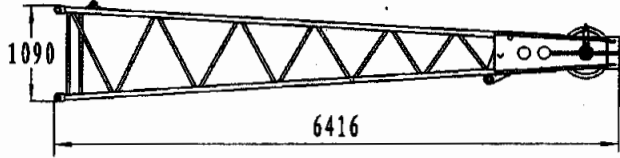
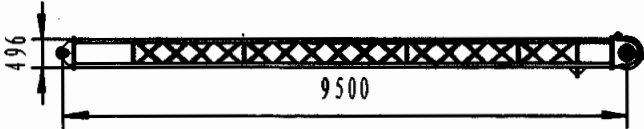
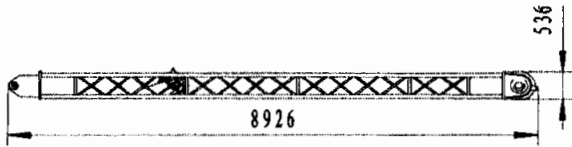
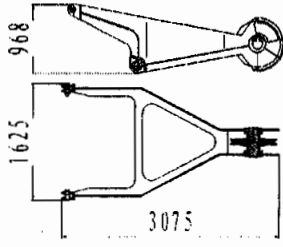
Names	Dimension ( mm ) Height	Length×Width×	Weight ( kg )	Qty
7.6m boom foot Back stop : 3660 kg Aux. derricking winch: 2690 kg	 <p>2100 7600 7995×2282×2920</p>	5849	1	
3m boom insert	 <p>2346 3210 3210×2282×2346</p>	830	1	
6m boom insert	 <p>2342 6258 6258×2282×2346</p>	1342	1	
9m boom insert	 <p>2345 9312 9312×2282×2346</p>	1845	4	
12m boom insert	 <p>2346 12165 12165×2282×2346</p>	2182	1	

<p>8.8m boom head</p>		<p>2180</p>	<p>1</p>
<p>6. 7m tapered section</p>	 <p style="text-align: center;">6865 × 2282 × 2938</p>	<p>1998</p>	<p>1</p>
<p>Boom top</p>	 <p style="text-align: center;">2697 × 1200 × 1404</p>	<p>1983</p>	<p>1</p>

**8.3.3.2 Luffing jib and fixed jib**

Names	Length × Width × Height Dimensions ( mm )	Weight (Kg)	Qty
<p>Luffing jib foot ( 8.5m )</p>	 <p style="text-align: center;">8696 × 1630 × 1640</p>	<p>1442</p>	<p>1</p>

<p>3m light boom insert</p>	 <p style="text-align: center;"><math>3120 \times 1630 \times 1704</math></p>	<p>408</p>	<p>1</p>
<p>6m light boom insert</p>	 <p style="text-align: center;"><math>6135 \times 1630 \times 1766</math></p>	<p>663</p>	<p>1</p>
<p>9m light boom insert</p>	 <p style="text-align: center;"><math>9135 \times 1630 \times 1712</math></p>	<p>946</p>	<p>4</p>
<p>Light duty boom top</p>	 <p style="text-align: center;"><math>8060 \times 1630 \times 1628</math></p>	<p>1514</p>	<p>1</p>
<p>6m fixed jib foot</p>	 <p style="text-align: center;"><math>6184 \times 1620 \times 1088</math></p>	<p>447</p>	<p>1</p>
<p>6m fixed jib insert</p>	 <p style="text-align: center;"><math>6088 \times 1620 \times 1168</math></p>	<p>291</p>	<p>4</p>

		6088 × 1276 × 1168		
6m fixed jib top		6416 × 1276 × 1090	400	1
Front strut		9930 × 1250 × 496	1280	1
Rear strut (with back stop)		8926 × 1250 × 666	1220	1
Runner		3075 × 1625 × 968	725	1

**Note:** . The weight of guy line is not included in the weight of boom system.

**8.3.3.3 Dimensions and weights of Hook block**

<p>250T Hook block</p>		<p>3686</p>
<p>200T Hook block</p>		<p>3410</p>
<p>150T Hook block</p>		<p>2620</p>

<p>80T Hook block</p>		<p>1342</p>
<p>35T Hook block</p>		<p>927</p>
<p>13.5T Hook block</p>		<p>848</p>

**Note:** The weight of hook block in the table may not be fully same as the actual weight of hook block. Please observe the actual weight of hook block.