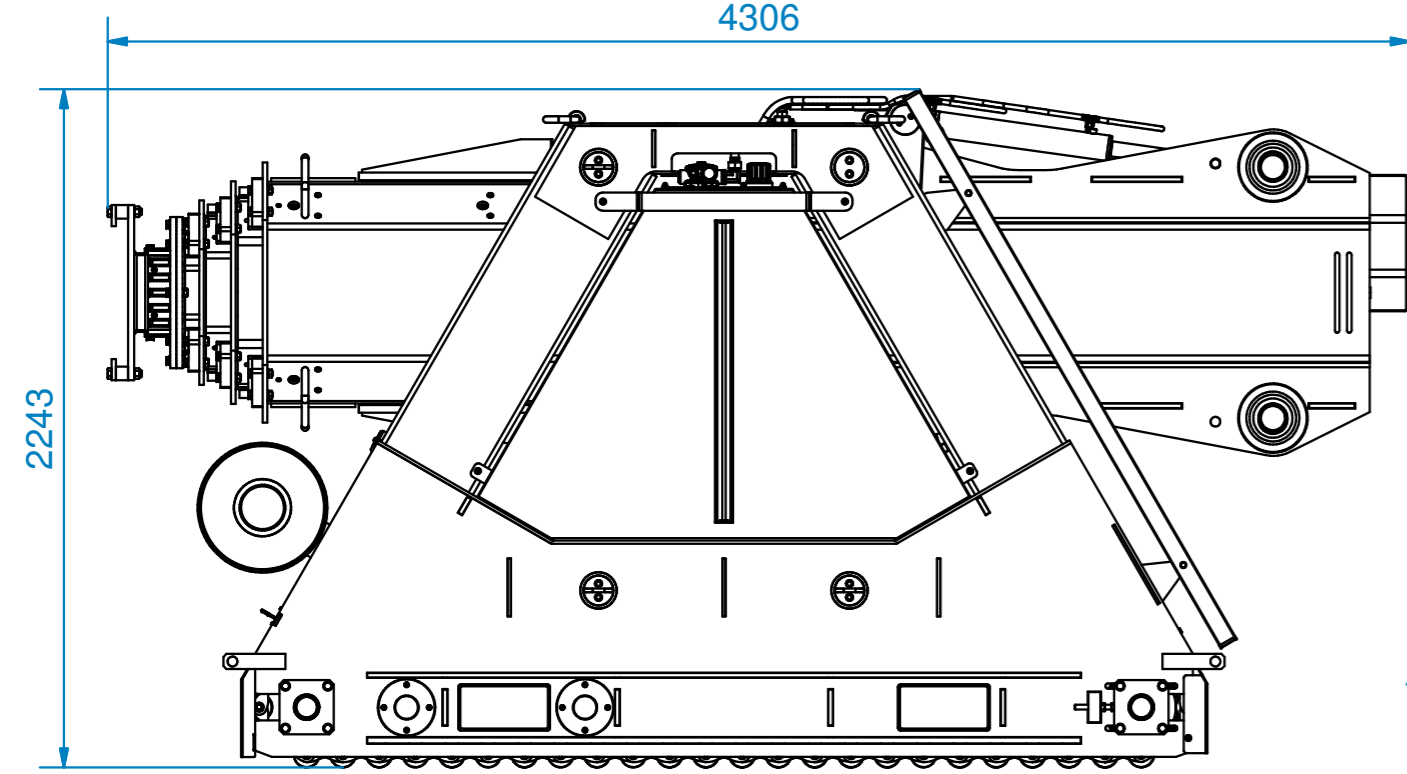
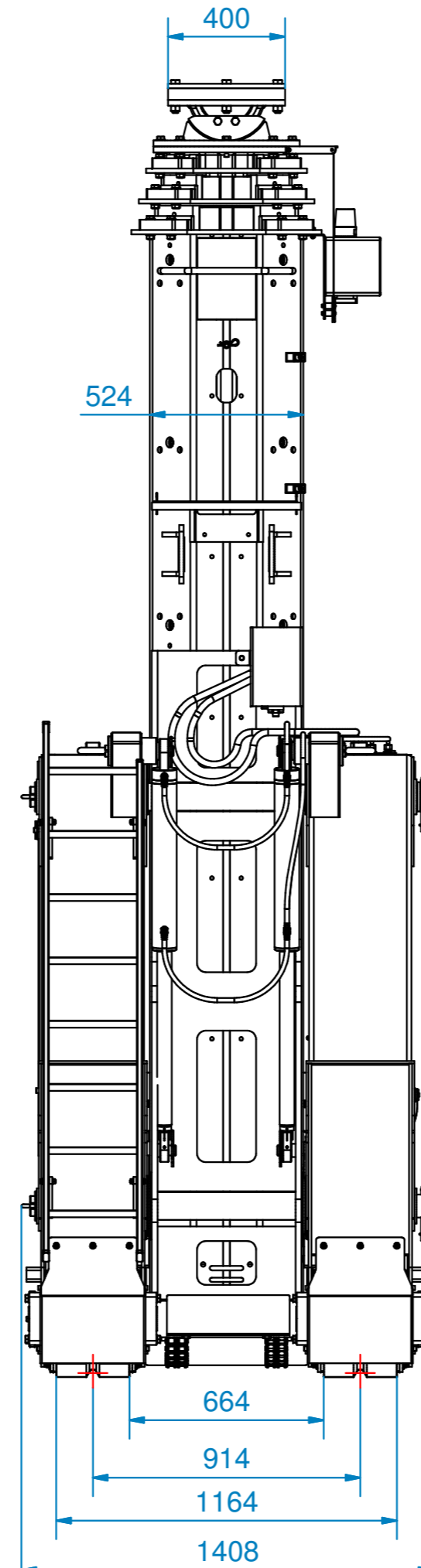
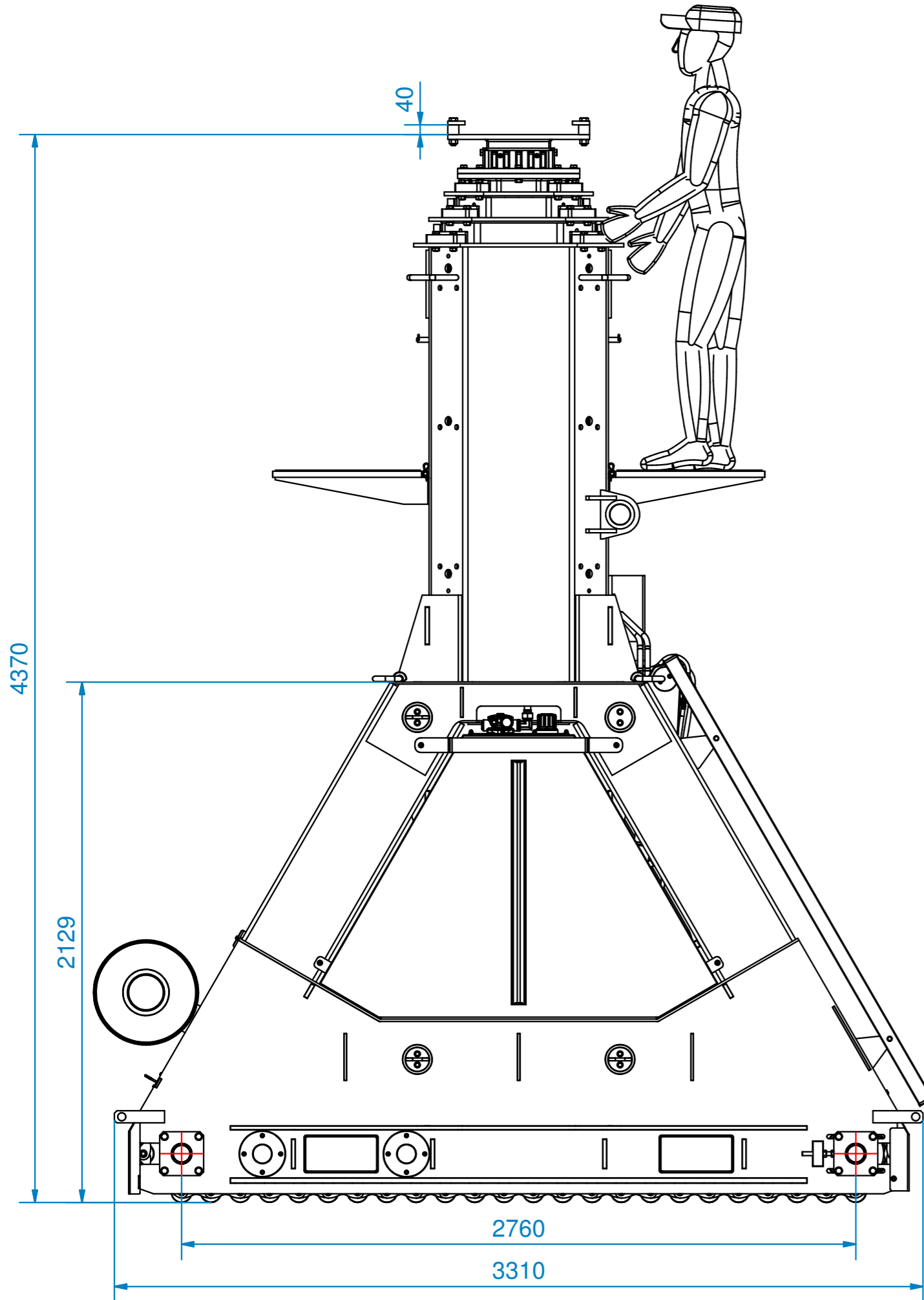
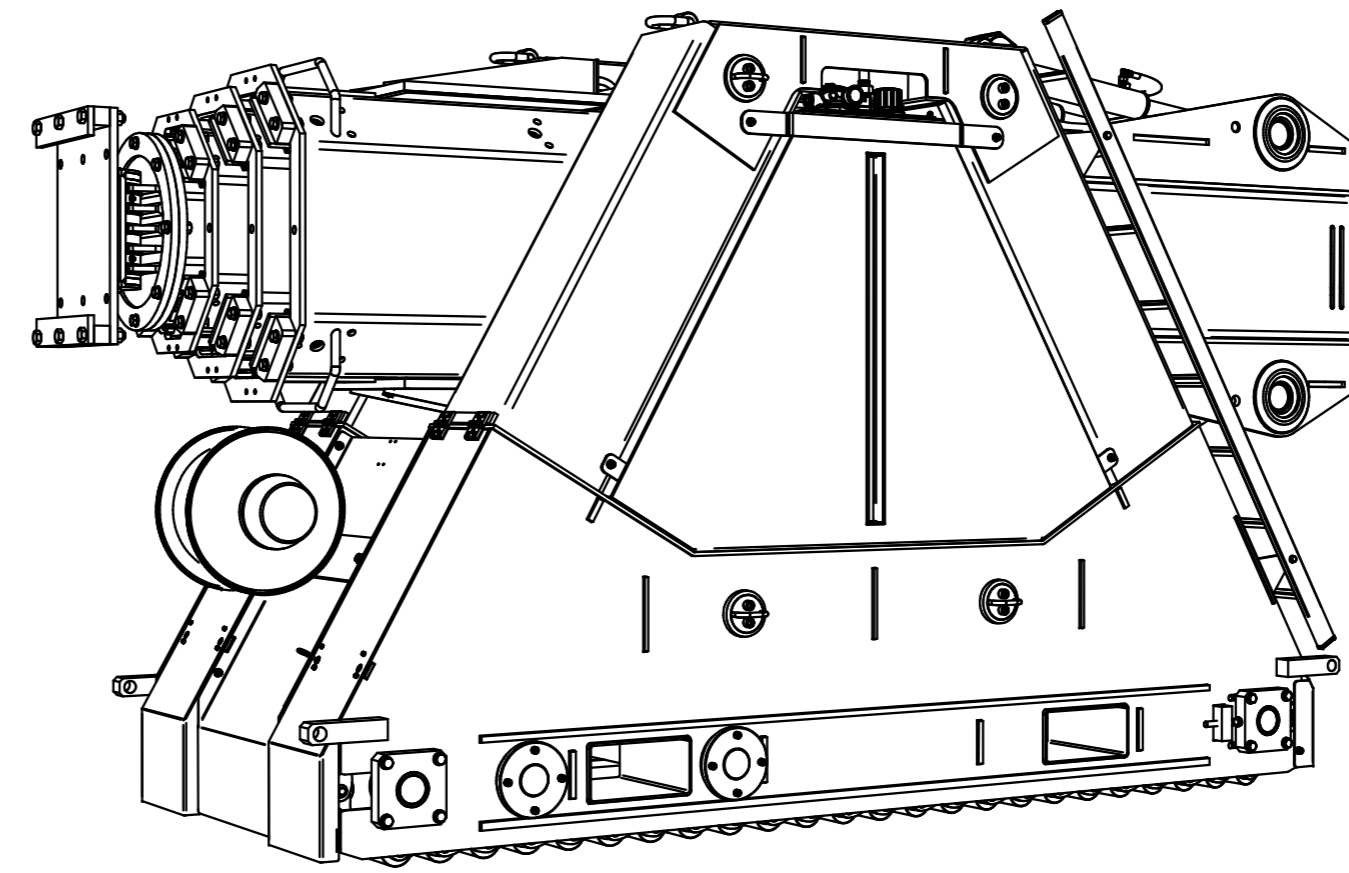
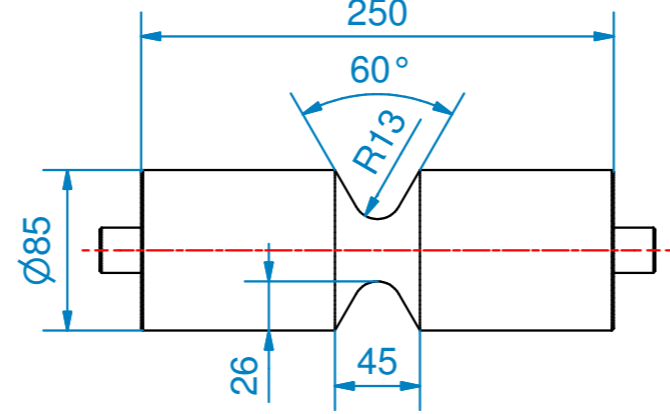


Transport Dimensions ( 1 : 25 )



Roll Dimensions ( 1 : 4 )

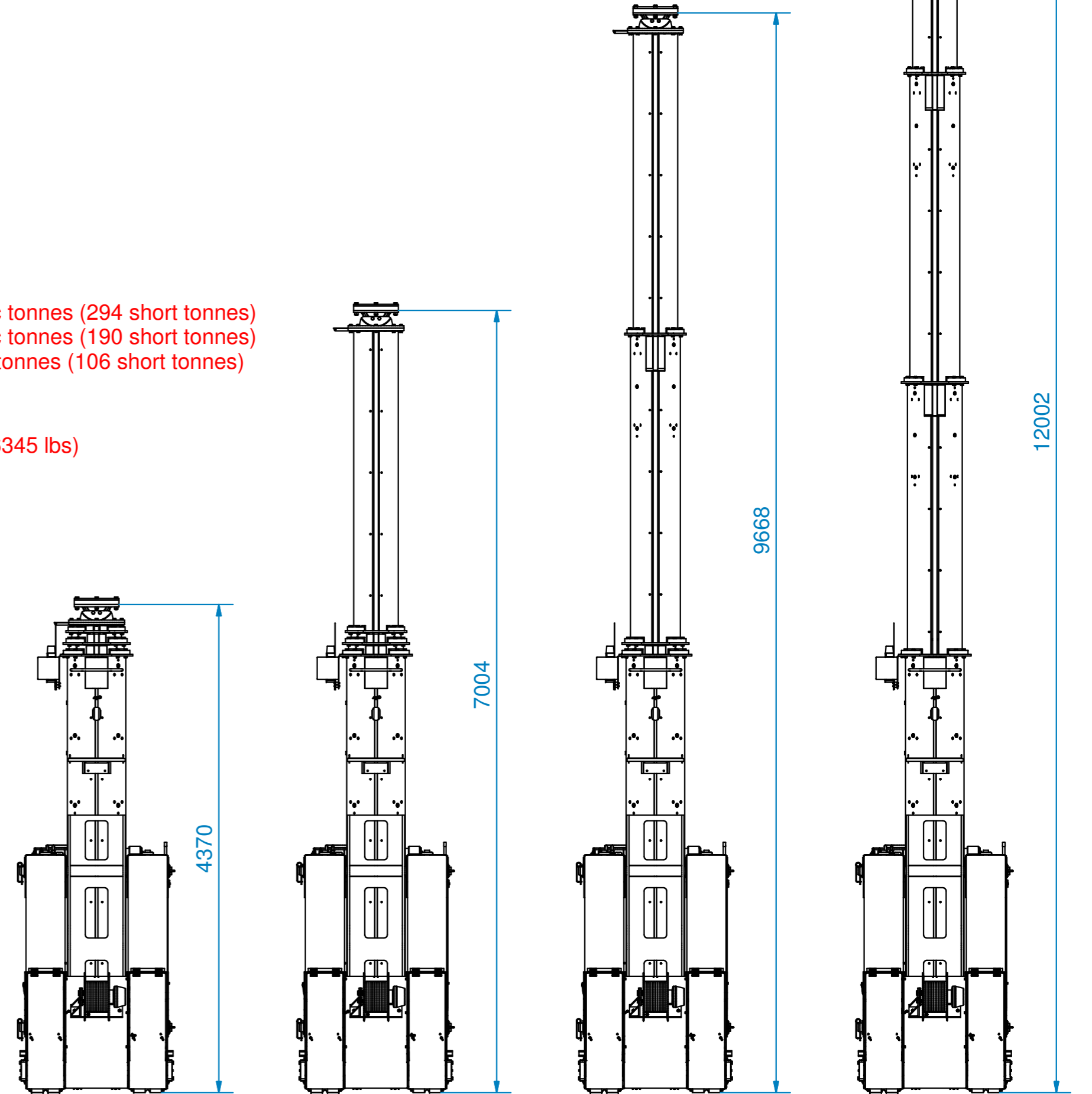


Capacity:

Stage1: 267 metric tonnes (294 short tonnes)  
 Stage2: 172 metric tonnes (190 short tonnes)  
 Stage3: 96 metric tonnes (106 short tonnes)

Self weight:

appr. 11950 kg (26345 lbs)



DRAWN BY: C.K. CHECKED BY: 1 : 20 SCALE: 1 : 20 MATERIAL:	APPROVED BY:	MASS: 11950 kg MATERIAL:	MATERIAL CERTIFICATE:	DATE: 31-7-2011	REMOVE BURRS OF INTERSECTING HOLES. BREAK SHARP EDGES. ANGLE: ± 0.5° LINEAR: ± 0.5	TOLERANCE UNLESS OTHERWISE STATED:
OPAAALSTRAAT 44, 7554 TS HENGELO HOLLAND PO BOX 421, 7550 AK HENGELO HOLLAND TELEPHONE (+31) 74-242045 FACSIMILE (+31) 74-243038 <b>ENERPAC</b>			PART NAME: SBL1100 - MK6 OVERALL:	DRAW NO: 02518.01.00.00	REV: 0	FORM: A2