



PARTS MANUAL

BT2000

12261-293

BT2000 BOOM TRUCKS

Parts Manual

INTRODUCTION

This **TEREX CRANES** Parts manual is supplied to aid you in the location and correct identification of component parts replacement and is based upon **TEREX CRANES** assembly standards at the time of manufacture.

The **TEREX CRANES** parts manual will enable you to maintain your unit according to manufacturer's recommendations. This unit is not to be altered or modified in any way without prior factory approval.

NOTICE

If this boom truck becomes involved in an accident resulting in property damage or personal injury, please contact your local **TEREX CRANES** dealer or the **TEREX CRANES** service department at (319) 352-3920 **IMMEDIATELY**.

All illustrations and specifications contained in this manual are based on the latest product information available at the time of publication. Right is reserved to make changes at any time, without notice, in specifications, material and descriptions.

MADE IN THE U.S.A.

© **TEREX CRANES 2004**

This manual is delivered for the sole purpose of operating and maintaining specific equipment for its intended use and shall not be copied or information contained herein delivered to third parties without prior written approval of **TEREX CRANES**.

 **TEREX CRANES**

Waverly, Iowa

INSTRUCTIONS FOR ORDERING PARTS

When ordering parts, contact your nearest Terex Cranes distributor and give the following information to assure prompt service:

MACHINE IDENTIFICATION:

State the model and serial number, located on a plate on the turret on the driver's side.



PART IDENTIFICATION:

State the part number, description and quantity required. Do not use the item number. Avoid using the words "Pairs" or "Sets".

<u>REF.</u>	<u>PART.NO.</u>	<u>DESCRIPTION</u>	<u>QTY.</u>
1	707 6594	Gear	1

SHIPPING INSTRUCTIONS:

State the invoicing address. Unless otherwise specified, invoices will be mailed to the shipping address.

State the correct shipping address and the means of shipment: parcel post, air mail, air freight, UPS, bus, etc.

INVOICE TO: Mid State Equipment Milwaukee, WI	SHIP TO: Ace Construction Co. Madison, WI
--	--

USING THIS PARTS BOOK

This Parts Manual has been designed for optimum ease of reading and is the key to Customer-Distributor-Factory communication. Genuine replacement parts, along with interchangeable product improvements as they become available, will keep your machine in a reliable and productive condition.

The following instructions describe the features of the manual and how to use it effectively.

Use this manual also as a supplement to the Operator's Manual and Maintenance Manual when performing service procedures on the machine.



IMPORTANT

This manual lists serviceable parts for **EVERY** machine built of this model designation. Serial numbers are used to identify parts when a product improvement is made or an alternate component is used. **KNOW THE SERIAL NUMBER OF YOUR MACHINE** before searching for replacement parts.

The **PARTS GROUP INDEX** shows the functional arrangement of associated parts for the machine. A group number identifies the same group of parts regardless of model (Group 25 is always the hydraulic system). The groups which apply to the machine are listed in numerical order. A letter suffix to a group number, 25A, is used for variable or optional parts groups.

PAGE NUMBERS are in numerical sequence within each parts group. The first number is the group number and the second number is the numerical sequence number. Letter suffixes are used to maintain continuity to the manual as revisions are incorporated (1.1, 1.2, 1.2A, 1.2B, 1.3, etc.).

EXPLODED VIEW ILLUSTRATIONS show the relationship of assembled parts. The illustrations are keyed to an accompanying parts list on the same page or on the facing page and are positioned for ease in reading the manual.

TEREX PARTS GROUPS

BT2000

LOWER

02 CARRIER FRAME

- 02.1 TRUCK CHASSIS
- 02.2 SUBFRAME INSTALLATION
- 02.3 FLATBED OPTIONS
- 02.4 SHEAR PLATE INSTALLATION
- 02.5 FLATBED INSTALLATION
- 02.6 BOOM REST ASSEMBLY
- 02.7 MAINFRAME ASSEMBLY,
CONTINUOUS ROTATION
- 02.8 MAINFRAME ASSEMBLY, 370
Deg. ROTATION
- 02.9 OPERATOR PLATFORM
INSTALLATION
- 02.10 PEDESTAL INSTALLATION
- 02.11 CENTERPOST INSTALL-
CONTINUOUS ROTATION
- 02.12 CENTERPOST INSTALL-
CONTINUOUS ROTATION

03 OUTRIGGERS

- 03.1 OUTRIGGERS
- 03.2 AUXILIARY OUTRIGGER/
SUBFRAME ASSEMBLY BT2857
- 03.3 AUXILIARY OUTRIGGER
INSTALLATION BT2047/BT2057
- 03.4 AUXILIARY OUTRIGGER
CYLINDER
- 03.5 MAIN OUTRIGGER
INSTALLATION
- 03.6 MAIN OUTRIGGER CYLINDER

UPPER

12 SUPERSTRUCTURE

- 12.1 TURRET /ROTATION GEAR
INSTALLATION
- 12.2 TURRET /ROTATION GEAR
INSTALLATION
- 12.3 370 Deg ROTATION STOP
INSTALLATION

HYDRAULICS

22 SWING SYSTEM

- 22.1 SWING MOTOR INSTALLATION
- 22.2 ROTATION GEARBOX
- 22.4 SWING GEARBOX

24 PUMP DRIVE CASE

- 24.1 TRIPLE VANE HYDRAULIC
PUMP

25 HYDRAULIC SYSTEM

- 25.1 HYDRAULIC RESERVOIR &
FILTER INSTALLATION
- 25.2 HYDRAULIC RESERVOIR &
FILTER INSTALLATION
- 25.3 HYDRAULIC RESERVOIR
ASSEMBLY
- 25.4 HYDRAULIC PUMP ASSEMBLY
- 25.5 HYDRAULIC PIPING - BOOM
HOIST/EXTEND

25 HYDRAULIC SYSTEM (Continued)

- 25.6 HYDRAULIC PIPING- WINCH

TEREX PARTS GROUPS

BT2000

- 25.7 HYDRAULIC PIPING- SWING
- 25.8 HYDRAULIC PIPING- MAIN OUTRIGGERS
- 25.9 HYDRAULIC PIPING - H AUXILIARY OUTRIGGERS
- 25.10 HYDRAULIC PIPING AUXILIARY OUTRIGGERS
- 25.11 HYDRAULIC PIPING PRIORITY VALVE
- 25.12 UNLOADER VALVE ASSEMBLY
- 25.13 MAIN VALVE ASSEMBLY (SALAMI)
- 25.14 MAIN VALVE ASSEMBLY (SALAMI)
- 25.15 MAIN VALVE ASSEMBLY (HUSCO)
- 25.16 WINCH VALVE ASSEMBLY- HUSCO
- 25.17 WINCH VALVE ASSEMBLY- SALAMI
- 25.18 WINCH VALVE (SALAMI)

CONTROLS

28 OPERATOR CONTROLS

- 28.1 CONTROL CONSOLE INSTALLATION
- 28.2 CONTROL CONSOLE ASSEMBLY
- 28.3 CONTROL CONSOLE ASSEMBLY
- 28.4 CONTROL CONSOLE ASSEMBLY
- 28.5 THROTTLE ASSEMBLY
- 28.6 THROTTLE INSTALLATION

MISCELLANEOUS

29 TOOLS, PAINT, LUBRICANTS

- 29.1 TOOLS
- 29.2 SPLIT FLANGE CLAMPS
- 29.3 CLAMPS

30 DECALS & PLACARDS

- 30.1 A-FRAME OUTRIGGER DECALS - BT 2000
- 30.2 JIB DECALS - BT 3000
- 30.3 CONSOLE & PEDESTAL DECALS - BT 2000
- 30.4 CONSOLE & TURRET DECALS - BT 2000
- 30.5 FLATBED/PLATFORM DECALS - BT 2000

ELECTRICAL

33 ELECTRICAL SYSTEM

- 33.1 ELECTRICAL HARNESS-MAIN CONTROL

WINCH, BOOM, & ATTACHMENTS

39 HYDRAULIC TELESCOPING BOOMS

- 39.1 BOOM ASSEMBLY - 57' BASE

39 HYDRAULIC TELESCOPING BOOMS (continued)

- 39.2 BOOM ASSEMBLY - 57' 2ND STAGE

TEREX PARTS GROUPS

BT2000

39.3 BOOM ASSEMBLY - 57' 3RD
STAGE

39.4 EXTENSION CYLINDER
ASSEMBLY 63' BOOM

39.4 EXTENSION CYLINDER
ASSEMBLY 57' BOOM

39.5 BOOM ASSEMBLY - 47' BASE

39.6 BOOM ASSEMBLY - 47' 2ND
STAGE

39.7 BOOM ASSEMBLY - 47' 3RD
STAGE

39.8 EXTENSION CYLINDER
ASSEMBLY 63' BOOM

39.8 EXTENSION CYLINDER
ASSEMBLY 47' BOOM

39.9 TOPPING CYLINDER
ASSEMBLY

39.10 TOPPING CYLINDER

39.11 BOOM/TOPPING CYLINDER
INSTALLATION

39A 2 STAGE SIDE FOLDING JIB 26/44FT

39A.1 SFJ JIB ASSEMBLY 2 STAGE

39A.2 SFJ JIB ASSEMBLY 2 STAGE

39A.3 SFJ JIB INSTALLATION

39A.4 SFJ JIB INSTALLATION

39B 1 STAGE SIDE FOLDING JIB 26FT

39B.1 SINGLE STAGE JIB ASSEMBLY

40 HYDRAULIC WINCH

40.1 WINCH INSTALLATION

40.2 WINCH ASSEMBLY

40.3 WINCH ASSEMBLY

40.4 WINCH ASSEMBLY

45.1 WIRE, ROPE, REEVING

ACCESSORIES

51 OPTIONAL EQUIPMENT

51.1 TOOL BOX INSTALLATION

51.2 OIL COOLER INSTALLATION

51.3 OIL COOLER INSTALLATION

51.4 1 PERSON STEEL PLATFORM
ASSEMBLY

51.5 2 PERSON STEEL PLATFORM
ASSEMBLY

51.6 2 PERSON STEEL PLATFORM
ASSEMBLY

51.7 SELF LEVELING PLATFORM
INSTALLATION

51.8 SELF LEVELING PLATFORM
INSTALLATION

51.9 NBB REMOTE RELAY BOX

51.10 RADIO REMOTE CONTROL
INSTALLATION

51.11 RADIO REMOTE CONTROL
INSTALLATION

51.12 RADIO REMOTE CONTROL
INSTALLATION

51.13 RADIO REMOTE CONTROL
INSTALLATION

TEREX PARTS GROUPS

BT2000

51 OPTIONAL EQUIPMENT(Continued)

- 51.14 RADIO REMOTE HYDRAULIC PIPING
- 51.15 ROOFER'S PACKAGE INSTALLATION
- 51.16 ROOFER'S PACKAGE INSTALLATION
- 51.17 ROOFER'S PACKAGE INSTALLATION
- 51.18 TURRET LOCK INSTALLATION
- 51B.1 WINCH TENSIONER INSTALLATION
- 51B.2 UNDERRIDE GUARD INSTALLATION
- 51B.3 FRONT BUMPER OUTRIGGER INSTALLATION
- 51B.4 FRONT BUMPER OUTRIGGER INSTALLATION
- 51B.5 FRONT BUMPER OUTRIGGER INSTALLATION
- 51B.6 FRONT BUMPER OUTRIGGER INSTALLATION
- 51B.7 FRONT BUMPER OUTRIGGER HYDRAULICS
- 51B.8 FRONT BUMPER OUTRIGGER CYLINDER
- 51B.9 FRONT BUMPER OUTRIGGER ASSEMBLY
- 51B.10 FRONT BUMPER OUTRIGGER ASSEMBLY

52.3 GREER MG586 REEL

52.4 GREER MG 586 DISPLAY

52A ELECTRONIC ANGLE ALARM OPTION

52A.1 GREER BA591 ANGLE DISPLAY

ALPHA-NUMERIC PARTS LIST

List-1 NUMERICAL LISTING

List-2 ALPHABETICAL LISTING

52 RATED CAPACITY INDICATOR

52.1 GREER MG 586 RCI ASSEMBLY

52.2 GREER MG 586 COMPUTER

02 CARRIER FRAME



Truck Chassis

Refer to Truck Chassis manufacturer (Ford, Freightliner, Sterling, etc.) for truck repair/replacement parts.

RECORD VEHICLE/MACHINE INFORMATION BELOW FOR USE WHEN ORDERING PARTS

Truck Chassis Manufacturer _____ Model _____	Comments
Boom Truck Model No. _____ Serial No. _____	Comments
Optional Equipment _____	Comments

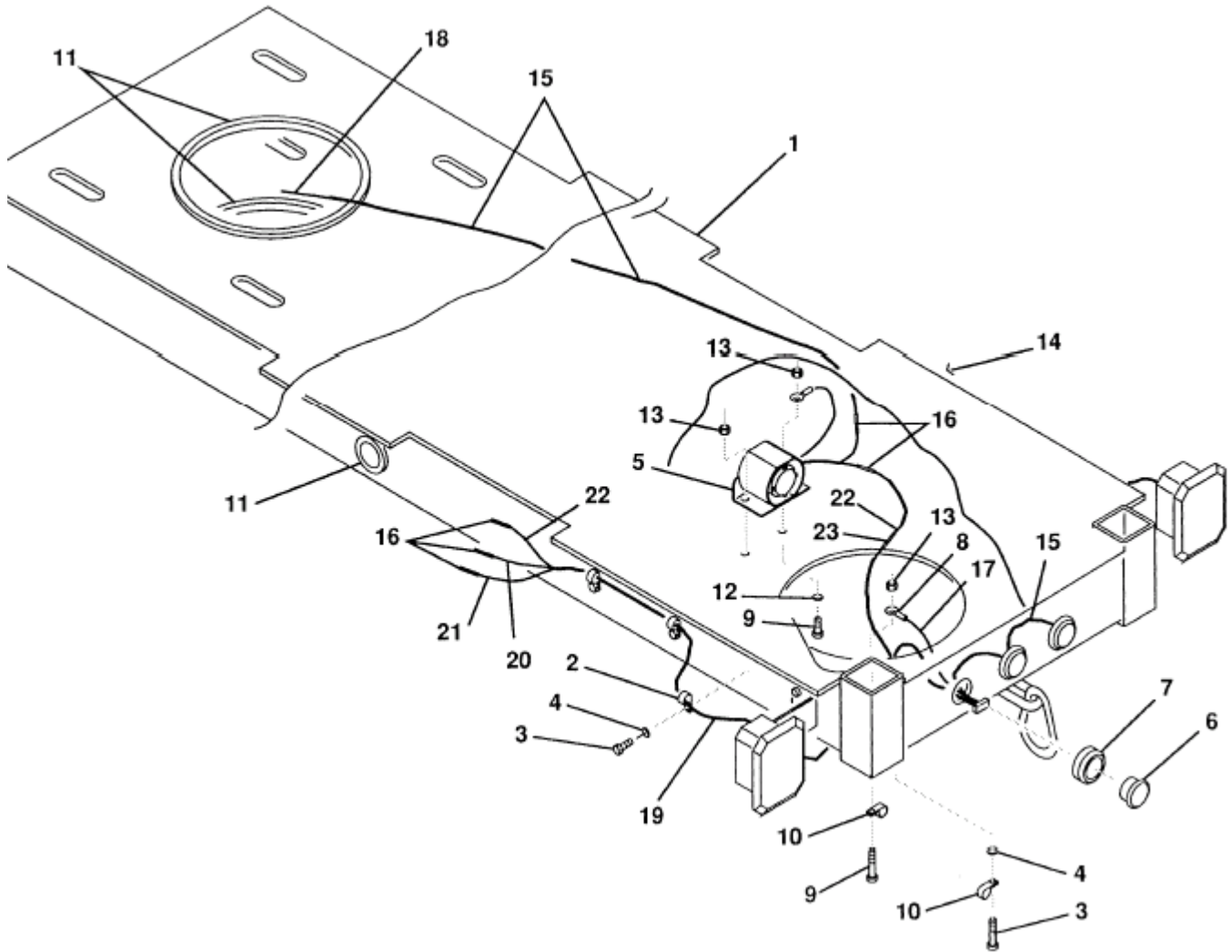
WHEN ORDERING PARTS, SPECIFY MODEL NUMBER, SERIAL NUMBER AND DESCRIPTION OF PARTS REQUIRED



TRUCK CHASSIS

DATE: Revised 03-2006
 MODEL: BT2000 Series
 Page 02.1

**GROUP
02**



Sub-Frame Installation

REF	PART NO.	DESCRIPTION	QTY	REF	PART NO	DESCRIPTION	QTY
1*	701-00474	Sub-Frame - Weldment, 16 Ft (2047/2057)					
	701-00718	Sub-Frame - Weldment, 16 Ft (2857)					
2	201-00142	Clamp - Tube 1/4 x 1/2.....	8	13	221-90001	Nut, HH Top Lock 1/4UNC.....	3
3	223-15213	Bolt 1/4UNC x 3/4" Long	9	14	400-01375	Wire - 16Ga Green.....	8'
4	222-10005	Washer - Lock 1/4	9	15	400-01411	Loom - Wire 1/4 I.D.....	35"
5	400-05130	Horn - Outrigger & Backup	1	16	400-02202	Connector - Terminal Butt.....	1
6	400-09094	Light.....	3	17	400-01248	Harness - Electrical ID Lights.....	1
7	400-09291	Grommet	3	18	400-01389	Wire - 16Ga Blue	26'
8	400-02298	Ring - Terminal 1/4.....	2	19	400-01412	Wire - Loom 3/8 I.D.....	8'
9	220-00003	Bolt 1/4UNC x 3/4" Long	3	20	400-01377	Wire - 16Ga Yellow	8'
10	201-00141	Clamp 1/4 x 5/16	2	21	400-01378	Wire - 16Ga Black.....	8'
11	209-00174	Trim - Seal.....	10'	22	400-01374	Wire - 16Ga Brown	11'
12	222-00006	Washer - Flat 1/4.....	2	23	400-02226	Connector, Terminal Butt.....	1

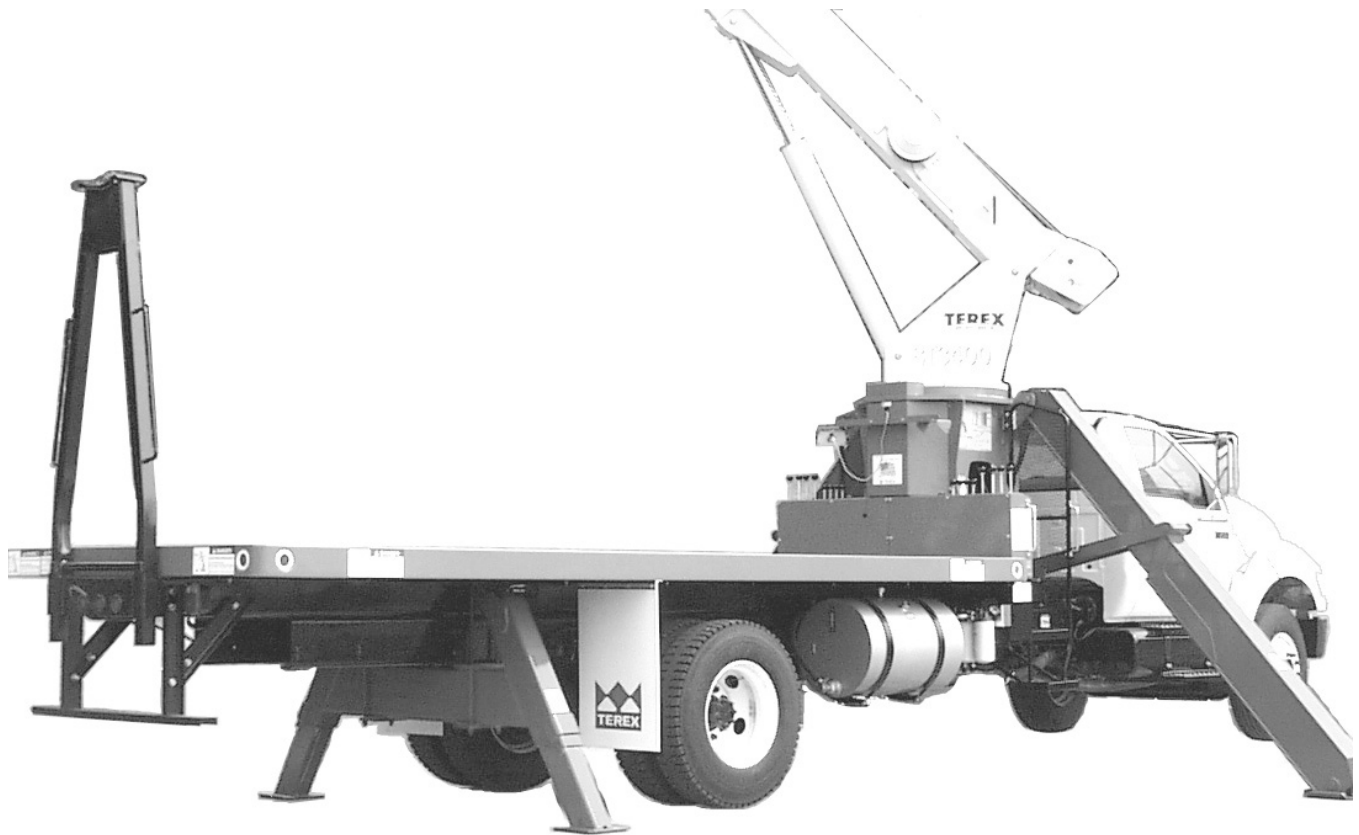
WHEN ORDERING PARTS, SPECIFY MODEL NUMBER, SERIAL NUMBER AND DESCRIPTION OF PARTS REQUIRED



SUBFRAME INSTALLATION

DATE: Revised 03-2006
 MODEL: BT2000 Series
 Page 02.2

GROUP
02



Sub Frame/Flatbed Options

PART NUMBER	SUBFRAME & FLATBED OPTION
696-00009	16' Wood Flatbed, (RM)
696-00010	16' Steel flatbed, (RM)
696-00014	16' Steel, Super duty
FBG-1602	16' Steel/Wood, Super Duty

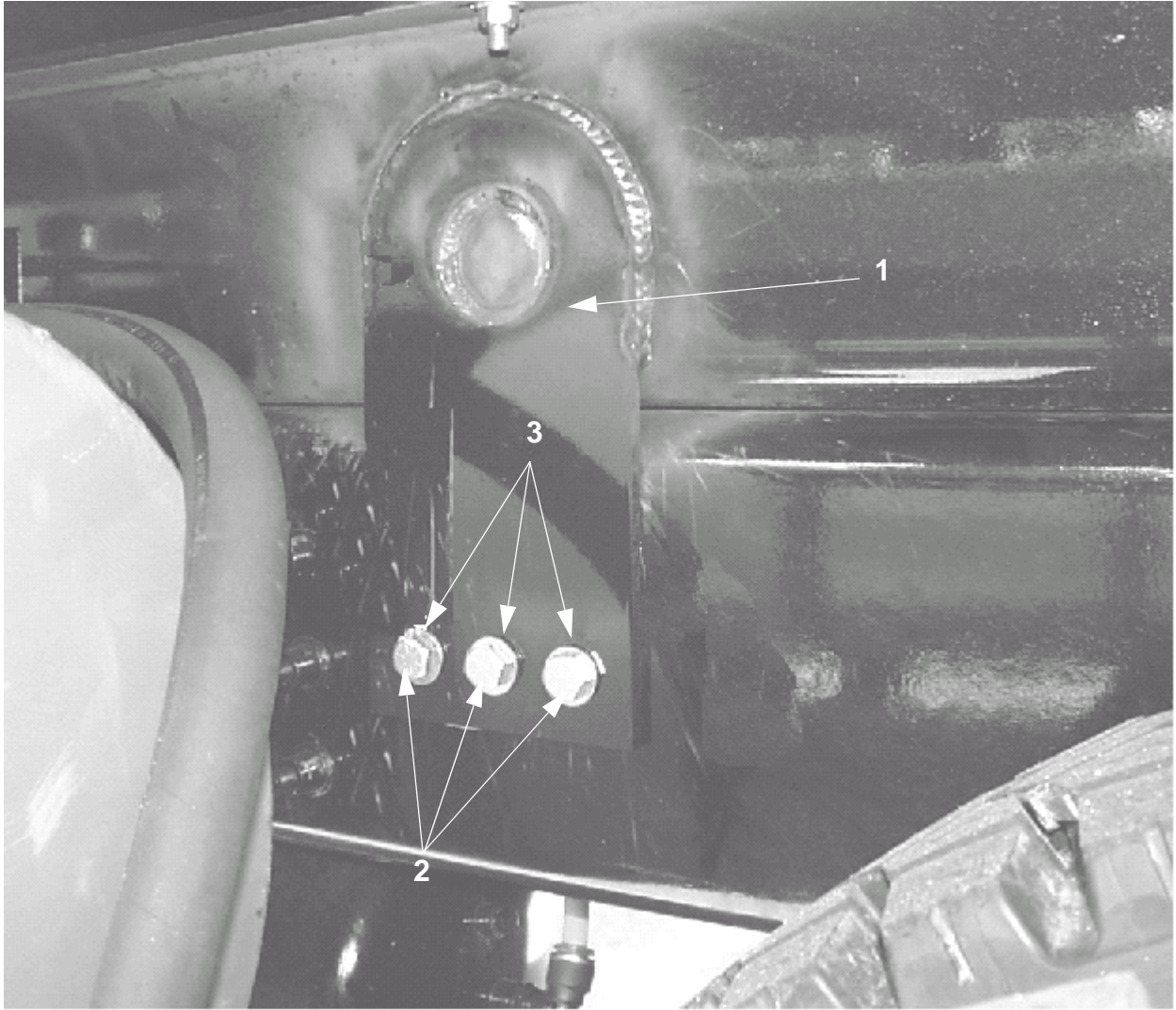
WHEN ORDERING PARTS, SPECIFY MODEL NUMBER, SERIAL NUMBER AND DESCRIPTION OF PARTS REQUIRED



FLATBED OPTIONS

DATE: Revised 03-2006
 MODEL: BT2000 Series
 Page 02.3

**GROUP
02**



Shear Plate Installation

<u>REF</u>	<u>PART NO.</u>	<u>DESCRIPTION</u>	<u>QTY</u>
1	709-01251	Plate - Shear.....	1
2	220-06032	Bolt 5/8UNC x1/2" Long.....	6
3	222-06010	Washer - Flat 5/8.....	12
4	221-96005	Nut - Lock 5/8UNC.....	6

WHEN ORDERING PARTS, SPECIFY MODEL NUMBER, SERIAL NUMBER AND DESCRIPTION OF PARTS REQUIRED



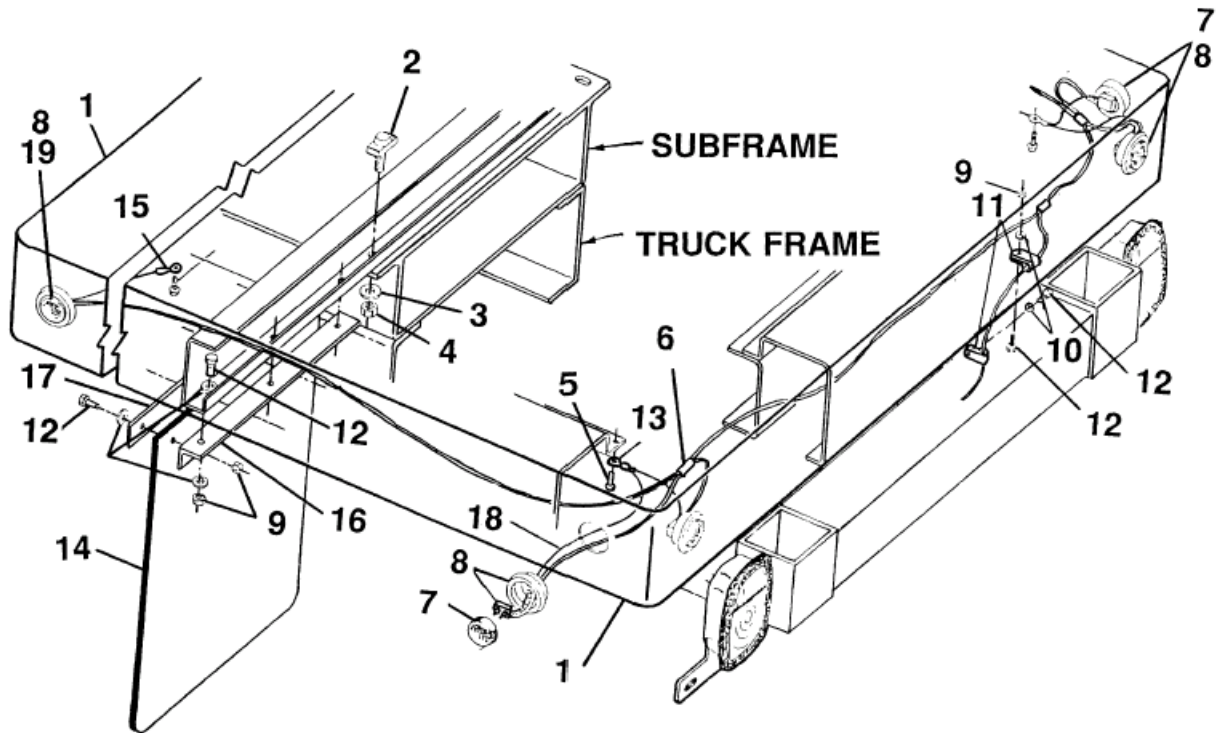
SHEAR PLATE INSTALLATION

DATE: Revised 03-2006

MODEL: BT2000 Series

Page 02.4

**GROUP
02**



Flatbed Installation

REF	PART NO	DESCRIPTION	QTY	REF	PART NO	DESCRIPTION	QTY
1	600-38023	Flatbed, -16' Standard Steel (Shown)	1	9	220-90001	Bolt, 20 x 1 HCS	12
*	209-00596	Install Grp, Super Duty Flatbed (Includes Items 2 Through 21)		10	222-00006	Washer, Flat 1/4 x 1 1/2 Z.....	Ref
				11	400-02245	Terminal Ring.....	5
				12	220-00004	Bolt, Hex Head.....	Ref
2	709-00160	Bolt Weld, Flatbed Tiedown	10	13	400-02226	Terminal-Insulator Connector	4
3	222-04001	Washer, beveled-1/2" Bolt.....	Ref	14	209-00292	Mud Flat	2
4	221-94002	Nut, Toplock, 1/2 Gr C.....	Ref	15	210-00002	Terminal Ring.....	4
5	223-15203	HHCS 1/2-13 X 2, GR.5	2	16	785-00561	Mounting angle, Mud Flap	2
6	400-02202	Terminal, Butt Connector, 16-14 Ga.	16	17	783-01238	Mounting Bar, flap.....	2
7	400-09113	Light, Clearance, Red.....	4	18	400-01378	Wire, 16 Ga. Black.....	15'
8	400-09097	Grommet Kit, Truck Light	8	19	400-09096	Light, Back	4
				20	210-00002	Kit, Flatbed Fastener.....	1
				21**	990-50002	Installation Sheet	1

* -Consists of items: (2 through 21)

** - Item not Shown

BED LENGTH	SUB-FRAME	STANDARD STEEL FLATBED
14/16 Feet	To Be Determined (TBD)	TBD
16 Feet	701-00474	600-38023
16 Feet	701-00718	600-38023

BT2000 Sub-frame Assembly Standard Options

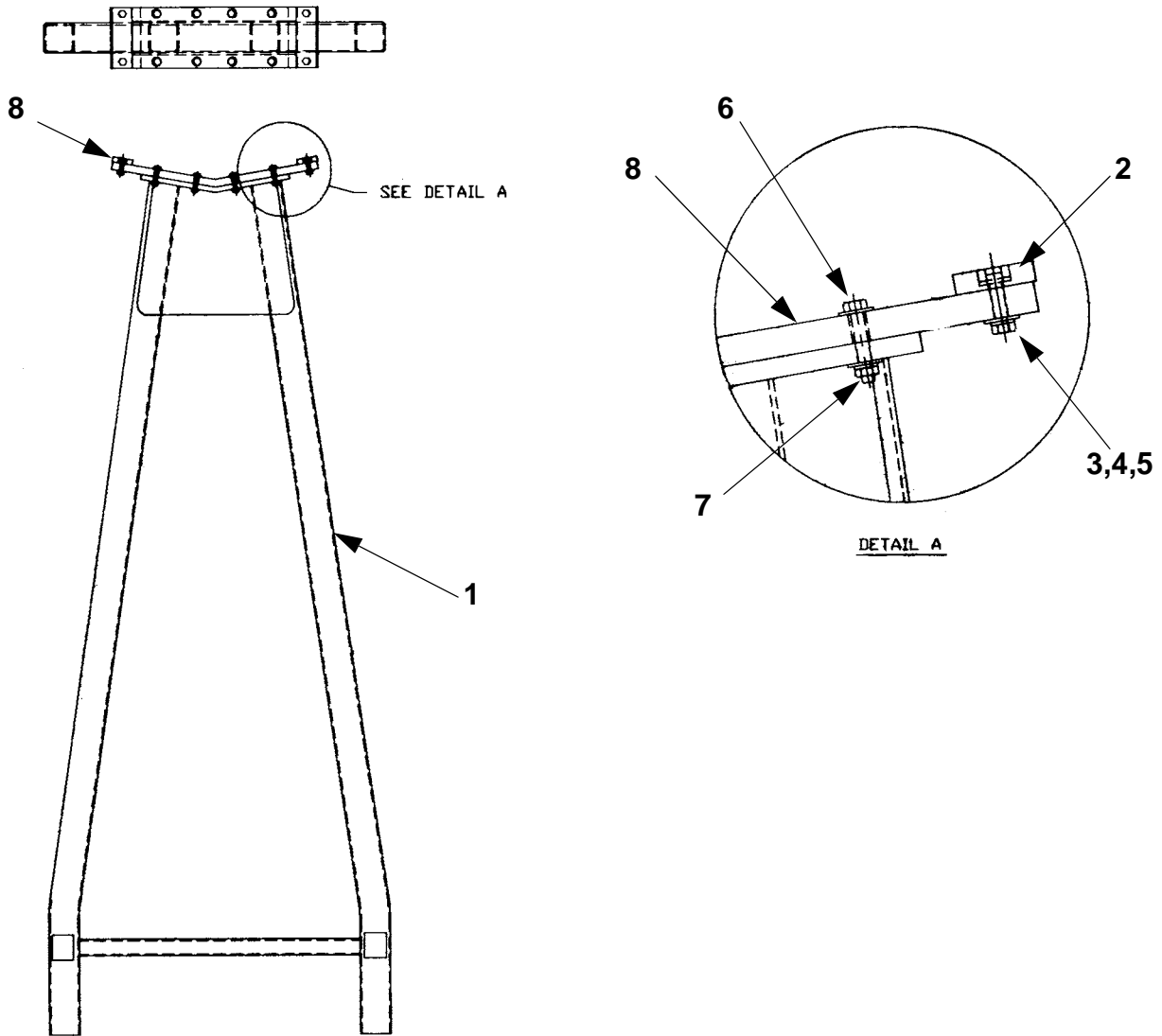
WHEN ORDERING PARTS, SPECIFY MODEL NUMBER, SERIAL NUMBER AND DESCRIPTION OF PARTS REQUIRED



FLATBED INSTALLATION

DATE: Revised 03-2006
 MODEL: BT2000 Series
 Page 02.5

GROUP
02



Boom Rest Assembly

REF	PART NO	DESCRIPTION	QTY	REF	PART NO	DESCRIPTION	QTY
1	709-01212	Boom Rest Weldment, BT2057, BT2857 ..	1	5	222-11002	Washer, Lock, 5/16 Med., PLTD.....	12
	709-01204	Boom Rest Weldment, BT2047		6	22001010	Bolt, Hex Head 5/16-18NC x 1 3/4" Long, GR5	8
2	729-02175	Pad, Wear, 2 x 6 PLYSERT	2	7	221-01001	Nut, Hex Head, 5/16-18 NC	8
3	220-01005	Bolt, Hex Head 5/16-18NC x 1 "Long, GR5.....	4	8	709-01318	Support Plate, Boom Rest	1
4	222-01001	Washer, Flat, 5/16, PLTD.....	20				

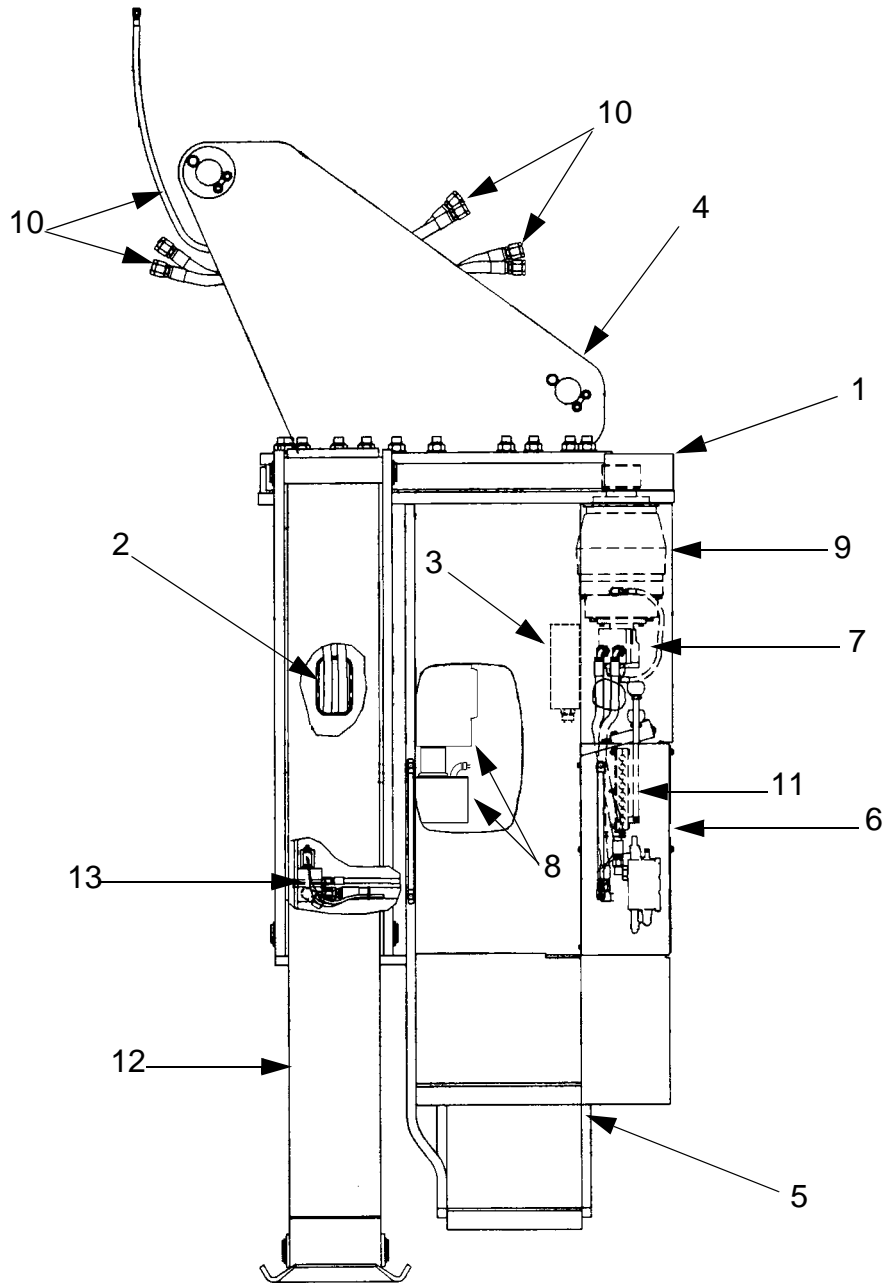
WHEN ORDERING PARTS, SPECIFY MODEL NUMBER, SERIAL NUMBER AND DESCRIPTION OF PARTS REQUIRED



BOOM REST ASSEMBLY

DATE: Revised 03-2006
 MODEL: BT2000 Series
 Page 02.6

**GROUP
02**



Mainframe Assembly, Continuous Rotation

REF	PART NO	DESCRIPTION	QTY	REF	PART NO	DESCRIPTION	QTY
*	700-00986	Mainframe Sub-Assembly, 2000 series.....	Ref	7	705-00041	Swing Group Installation,	1
1	701-00753	Mainframe Machining, BT 2000	1	8	500-01708	Center Post Installation.....	1
2	209-00470	Seal, Trim	4Ft	9	292-00037	Rotation Gearbox Assembly	1
3	400-02438	Computer Control Installation.....	1	10	500-01794	Hydraulic Piping, Mainframe (Continuous Rotation)	1
4	710-00275	Turret Installation, Continuous Rotation ...	1	11	550-00392	Main Control Valve Assembly	1
5	706-00022	Platform Installation.....	2	12	760-00292	Main Outrigger Assembly.....	1
6	800-50054	Control Console Assembly.....	2	13	559-00146	Priority Valve, Auxiliary Outrigger	1

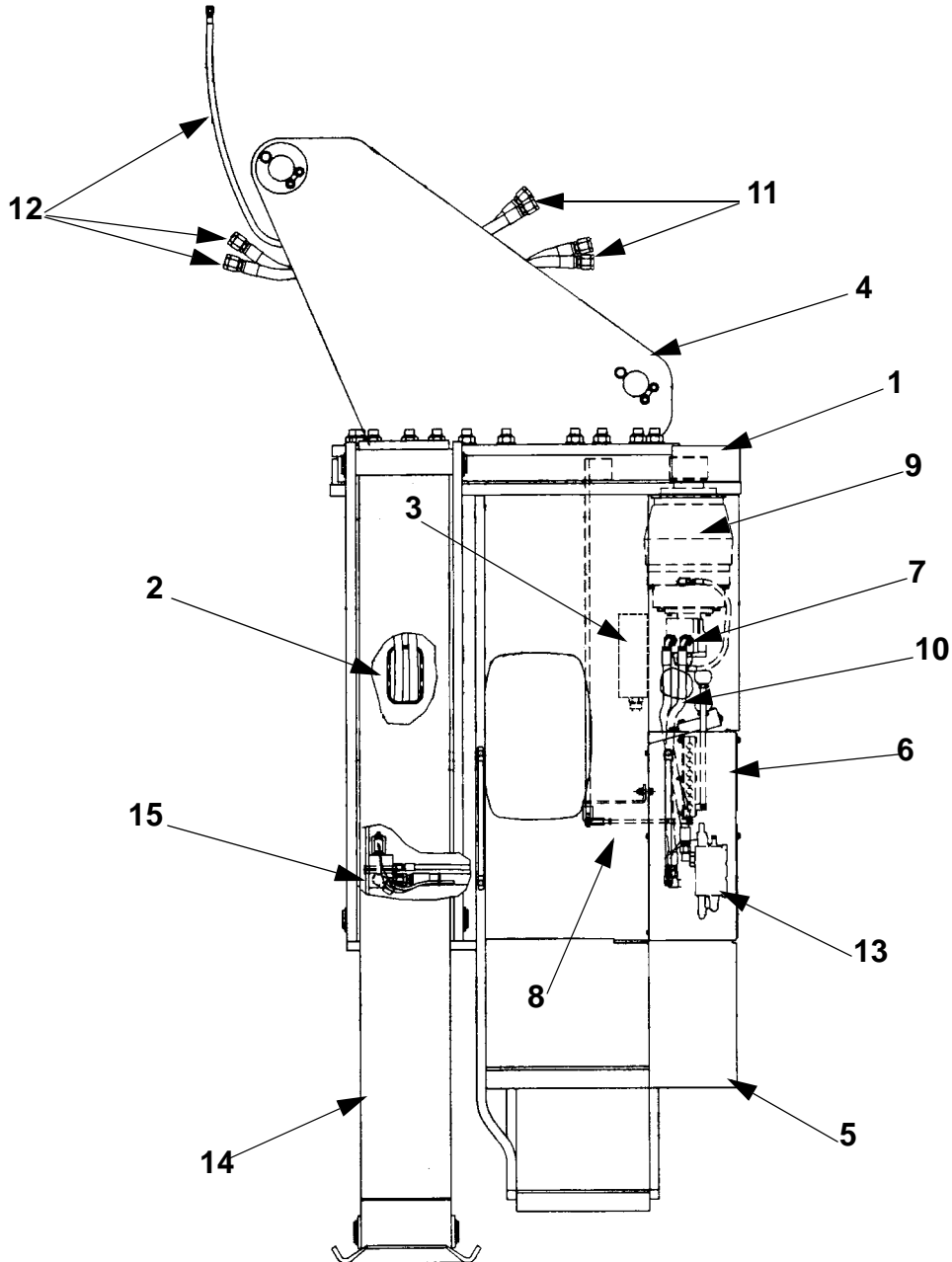
WHEN ORDERING PARTS, SPECIFY MODEL NUMBER, SERIAL NUMBER AND DESCRIPTION OF PARTS REQUIRED



MAINFRAME ASSEMBLY, CONTINUOUS ROTATION

DATE: Revised 03-2006
 MODEL: BT2000 Series
 Page 02.7

**GROUP
02**



Mainframe Assembly, 370 Deg. Rotation

REF	PART NO	DESCRIPTION	QTY	REF	PART NO	DESCRIPTION	QTY
*	700-00986	Mainframe Sub-Assembly, 2000 series.....	Ref	6	800-50054	Control Console Assembly.....	1
1	701-00753	Main Frame Machining, BT 2000	1	7	705-00041	Swing Group Installation, BT 3800	1
2	209-00470	Seal, Trim	4Ft	8	809-00410	Rotation Stop Installation, 370 Deg.	1
3	400-16122	Computer Control Box, (Greer 586)	1	9	292-00037	Rotation Gearbox Assembly	1
4	710-00226	Turret & Rotation Bearing Installation, 370 Deg.....	1	10	500-01793	Hydraulic Piping, Mainframe.....	1
5	706-00022	Platform Installation.....	Ref	11	550-00392	Main Control Valve Assembly	1
				12	760-00292	Main Outrigger Assembly.....	1
				13	559-00146	Priority Valve, Auxiliary Outrigger	1

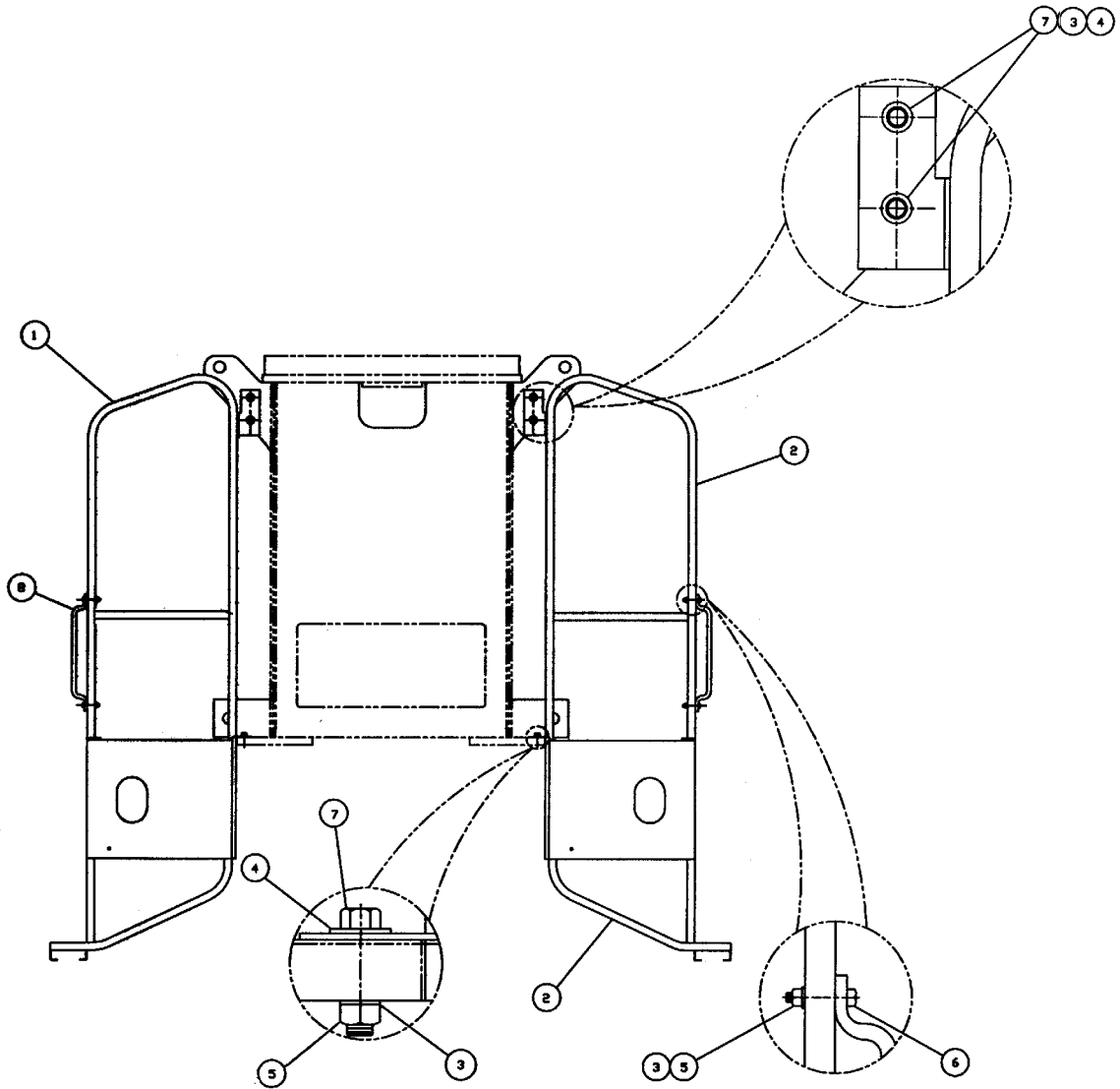
WHEN ORDERING PARTS, SPECIFY MODEL NUMBER, SERIAL NUMBER AND DESCRIPTION OF PARTS REQUIRED



**MAINFRAME ASSEMBLY,
370 Deg. ROTATION**

DATE: Revised 03-2006
MODEL: BT2000 Series
Page 02.8

**GROUP
02**



Operator's Platform Installation

REF	PART NO	DESCRIPTION	QTY	REF	PART NO	DESCRIPTION	QTY
*	709-00022	Platform Install Group.....	1	5	221-02001	Nut, Hex 3/8NC.....	8
1	709-01301	Platform, LH Weldment.....	1	6	220-02011	Bolt, Hex Head, 3/8NC x 2" Long.....	4
2*	709-01300	Platform, RH Weldment.....	1	7	220-02007	Bolt, Hex Head 3/8 NC x 3/4" Long.....	4
3	222-12001	Washer, Lock 3/8 PLTD.....	12	8	209-00444	Handle, grab.....	2
4	222-02005	Washer, flat 3/8 PLTD.....	8	9	220-02008	Bolt, Hex Head 3/8NC x 3 1/2" Long.....	4
				10	783-03022	Bar, spacer.....	2

REF	PART NO.	DESCRIPTION	QTY	REF	PART NO	DESCRIPTION	QTY
				2	772-00025	Mainframe Tiedown Bracket.....	4
1	701-00753	Mainframe weldment.....	1	3	1242-163	HHCS 1-8NC x 12" GR8 (2000series).....	8

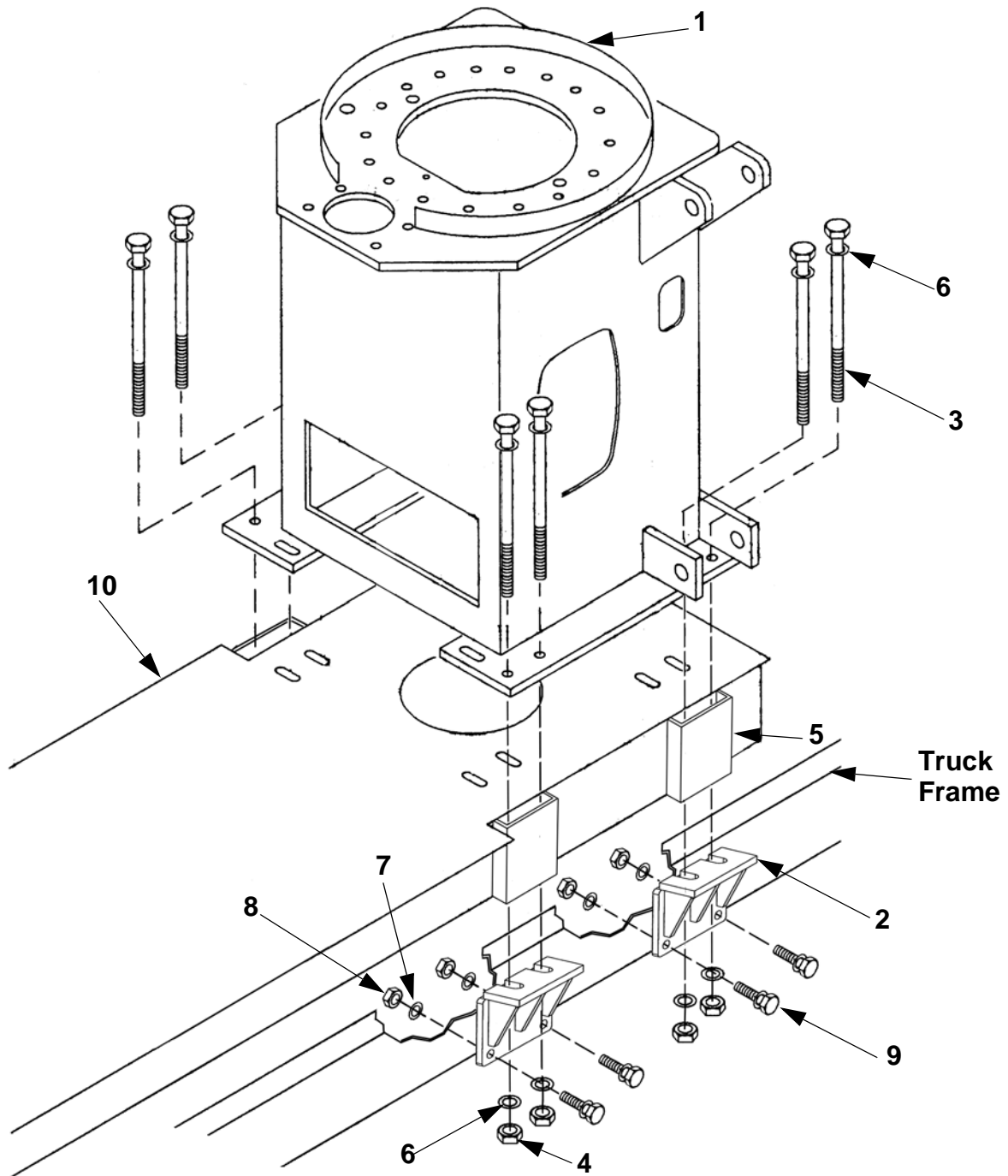
WHEN ORDERING PARTS, SPECIFY MODEL NUMBER, SERIAL NUMBER AND DESCRIPTION OF PARTS REQUIRED



**OPERATOR PLATFORM
INSTALLATION**

DATE: Revised 03-2006
 MODEL: BT2000 Series
 Page 02.9

**GROUP
02**



REF	PART NO.	DESCRIPTION	QTY	REF	PART NO.	DESCRIPTION	QTY
1	701-00753	Pedestal (Main Frame) Weldment.....	1	6	222-09004	Flat Washer Hardened 1".....	16
2	772-00025	Main Frame Tie Down Bracket	4	7	222-0703	Flat Washer, Hard 3/4".....	32
3*	1242-163	HHCS 1-8NC x 12" GR8 (2000 Series)....	8	8	221-97002	NILN 3/4-10NC GR8	16
*	1242-173	HHCS 1-8NC x 10" GR8 (2800 Series)....	8	9	220-07020	HHCS 3/4-10NC x 2" GR8.....	16
4	1205-122	Hex Lock Nut 1-8NC GR8	8	10*	701-00474	Subframe Weldment (2000 Series).....	1
5*	021-50017	C-Channel Stiffener (2000 Series)	4	*	701-00756	Subframe Weldment (2800 Series).....	1

* Varies as Indicated by Model Series

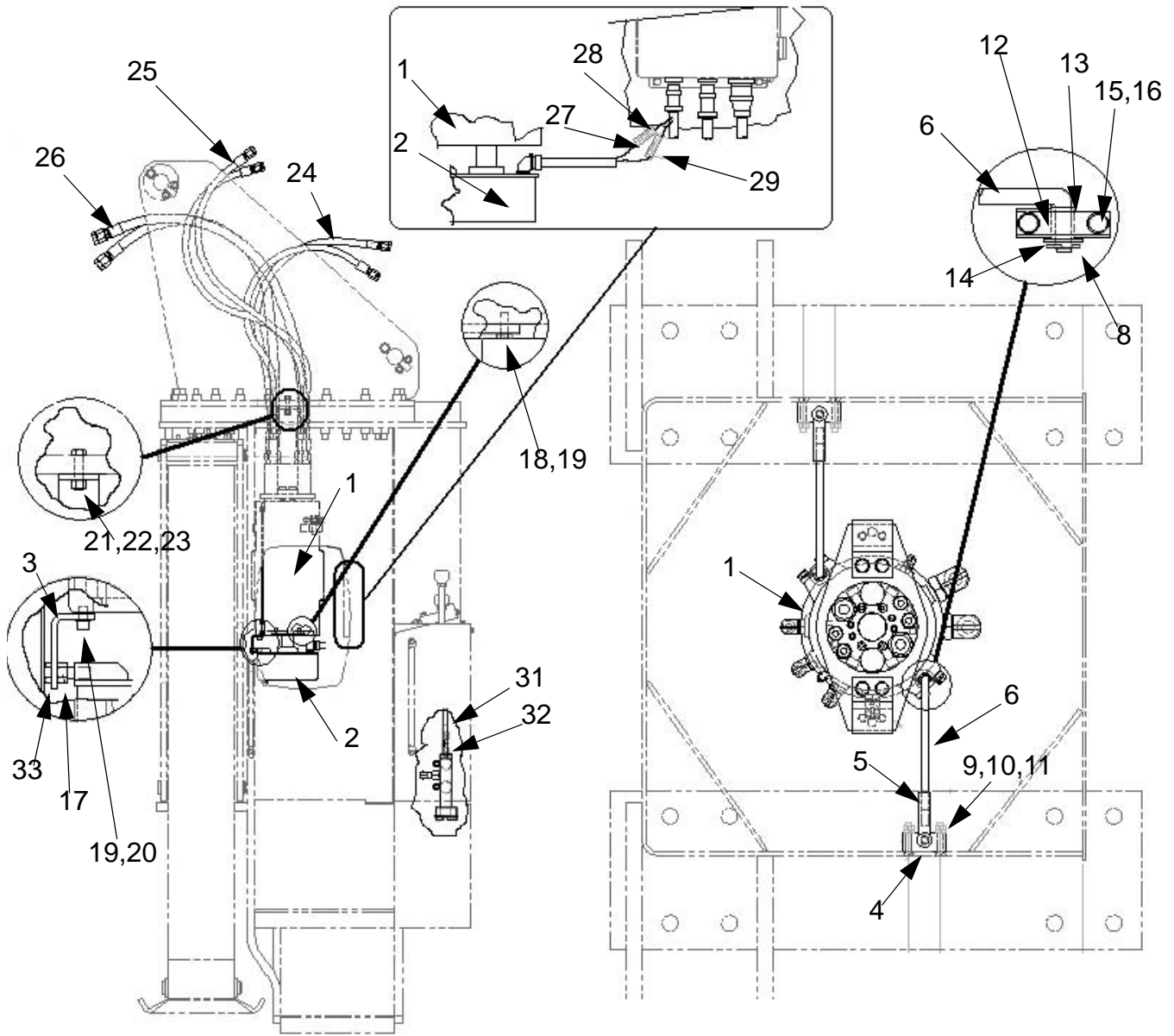
WHEN ORDERING PARTS, SPECIFY MODEL NUMBER, SERIAL NUMBER AND DESCRIPTION OF PARTS REQUIRED



PEDESTAL INSTALLATION

DATE: Revised 03-2006
 MODEL: BT2000 Series
 Page 02.10

GROUP
02



Centerpost Installation, Continuous Rotation

REF	PART NO.	DESCRIPTION	QTY	REF	PART NO.	DESCRIPTION	QTY
*	500-01638	Centerpost Installation Continuous Rotation.....	1	11	221-01001	Hex Nut, 5/16UNC	4
1	500-01635	Centerpost Assembly	1	12	789-04121	Plate, Torque Rod Retainer	2
2	400-17082	Collector Ring Assembly	1	13	502-30604	Hose, Torque Rod spacer.....	2
3	785-01709	Angle, Collector Ring Stop	1	14	222-04001	Flatwasher, 1/2	2
4	783-03134	Bar, Torque Rod Support	2	15	220-02002	Hex Head Bolt, 3/8-16UNC x1 1/4	4
5	809-00036	Yoke, 1/2-20UNF.....	2	16	222-12001	Lockwasher 3/8.....	4
6	209-00677	Torque Rod Centerpost.....	2	17	221-04002	Jam Nut1/2-13 UNC PLT	1
7	870-00008	Pin, Clevis,1/2	2	18	220-00003	Hex Head Bolt, 1/4-20UNC x 3/4	2
8	224-02004	Cotter Pin 1/8 x 1 PLTD	4	19	222-10005	Lockwasher, 1/4.....	4
9	223-00302	FHM Screw, 5/16-18UNC x 2 1/4.....	4	20	220-00003	Hex Head Bolt, 1/4-20UNC x 3/4LG	2
10	222-11002	Lockwasher, 5/16	4	21	220-04006	Hex Head Bolt, 1/2-13UNC x 1/4	2
				22	222-14003	Lockwasher 1/2.....	2

WHEN ORDERING PARTS, SPECIFY MODEL NUMBER, SERIAL NUMBER AND DESCRIPTION OF PARTS REQUIRED



**CENTERPOST INSTALL-
CONTINUOUS ROTATION**

DATE: Revised 03-2006
 MODEL: BT2000 Series
 Page 02.11

**GROUP
02**

<u>REF</u>	<u>PART NO.</u>	<u>DESCRIPTION</u>	<u>QTY</u>	<u>REF</u>	<u>PART NO.</u>	<u>DESCRIPTION</u>	<u>QTY</u>
23	221-04001	Hex Nut 1/2-20UNF.....	2	28	400-02292	Plug, Male.....	4
24	502-30626	Hose Assembly, Boom Hoist.....	2	29	400-15085	Tubing, Heat Shrink.....	2
25	502-30630	Hose Assembly, Telescope Supply.....	2	30	400-15088	Tie, Nylon Cable.....	4
26	502-40743	Hose Assembly, Winch Supply.....	2	31	502-11262	Hose assembly, Centerpost drain.....	1
27	400-02293	Plug, Female.....	4	32	516-82003	Tee, Swivel Nut Run.....	1
				33	220-04005	Hex Head Bolt 1/2-13NC x 1 1/2LG.....	1

WHEN ORDERING PARTS, SPECIFY MODEL NUMBER, SERIAL NUMBER AND DESCRIPTION OF PARTS REQUIRED



**CENTERPOST INSTALL-
CONTINUOUS ROTATION**

DATE: Revised 03-2006
 MODEL: BT2000 Series
 Page 02.12

**GROUP
02**

03 OUTRIGGERS



Outriggers

<u>REF</u>	<u>PART NO</u>	<u>DESCRIPTION</u>	<u>QTY</u>	<u>REF</u>	<u>PART NO</u>	<u>DESCRIPTION</u>	<u>QTY</u>
1	760-00293	Aux Outrigger Assembly, BT 2047, BT20571		2	760-00276	Main Outrigger Assembly.....	1
	760-00440	Aux Outrigger SF Assembly, BT2857	1				

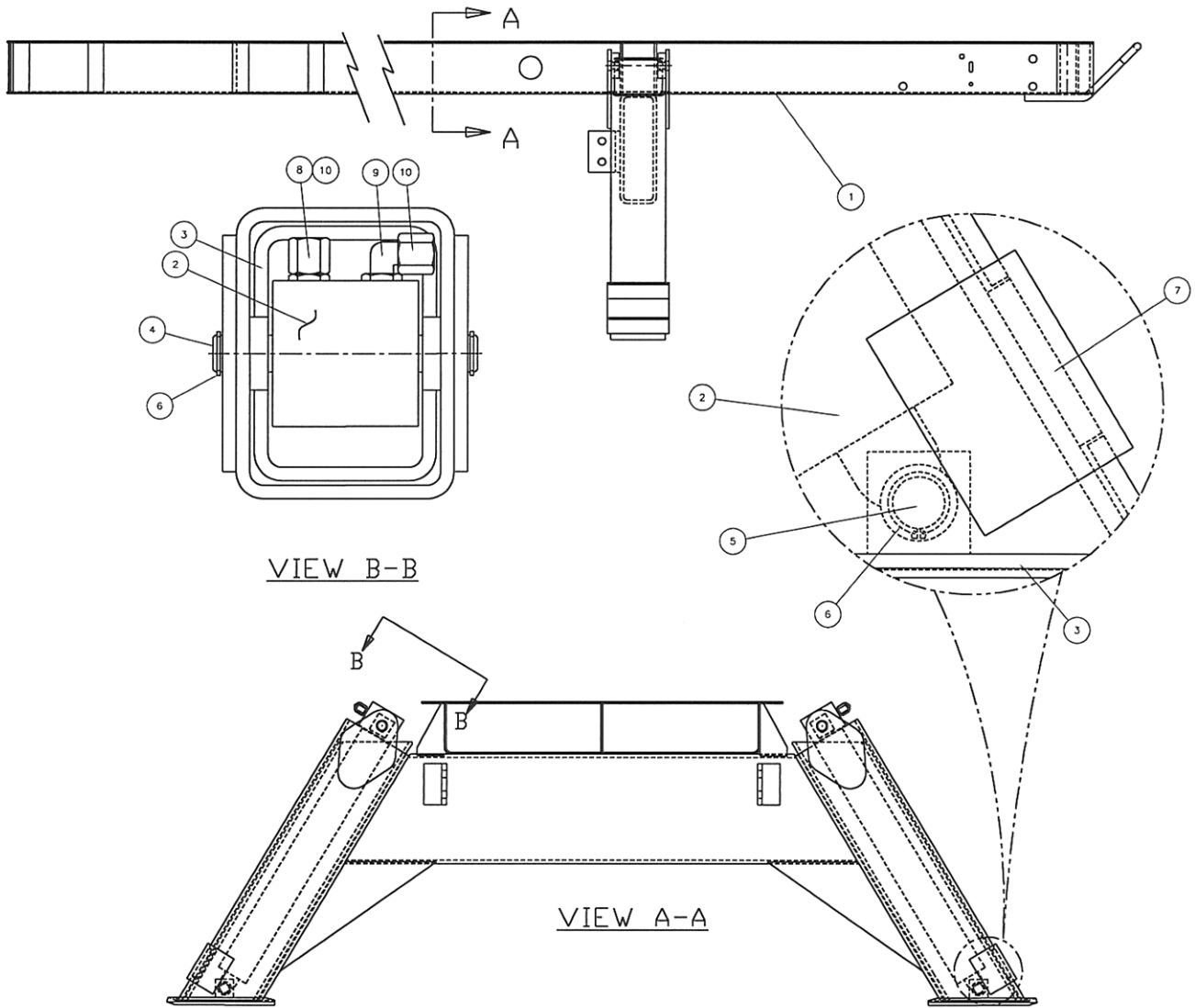
WHEN ORDERING PARTS, SPECIFY MODEL NUMBER, SERIAL NUMBER AND DESCRIPTION OF PARTS REQUIRED



OUTRIGGERS

DATE: Revised 03-2006
 MODEL: BT2000 Series
 Page 03.1

**GROUP
 03**



VIEW B-B

VIEW A-A

REF	PART NO.	DESCRIPTION	QTY
	760-00440	Subframe / Aux Outrigger Assembly (2857)	
1	701-00756	Sub Frame / Auxiliary Outrigger Weldment1	
2	540-20100	Outrigger Cylinder.....	2
3	760-10298	Outrigger Leg Weld.....	2
4	870-20234	Pin, Cylinder Base	2
5	870-20233	Pin Cylinder Rod.....	2
6	200-10011	Snap Ring	8
7	729-00411	Wear Pad.....	2
8	514-54004	Elbow 90	2
9	513-40014	Straight Connector.....	2
10	519-40007	Cap 3/8	4

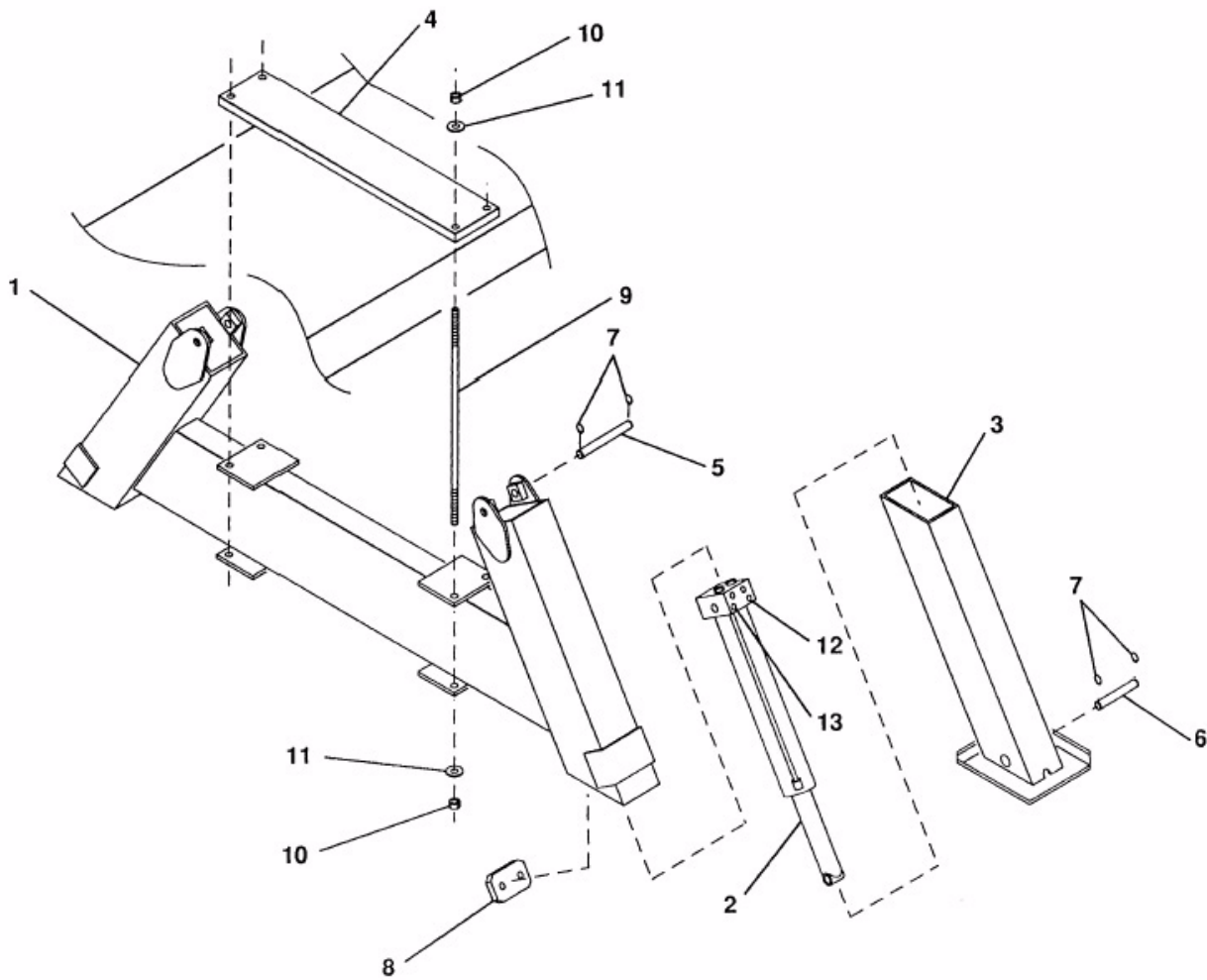
WHEN ORDERING PARTS, SPECIFY MODEL NUMBER, SERIAL NUMBER AND DESCRIPTION OF PARTS REQUIRED



AUXILIARY OUTRIGGER/SUBFRAME
 Assembly - BT2857

DATE: Revised 03-2006
 MODEL: BT2000 Series
 Page 03.2

GROUP
03



Auxiliary Outrigger Installation

<u>REF</u>	<u>PART NO.</u>	<u>DESCRIPTION</u>	<u>QTY</u>
	760-00293	Outrigger Assembly (2047/2057)	
1	760-20412	Housing, Auxilliary Outrigger	1
2	540-20100	Cylinder, Outrigger.....	2
3	760-10298	Leg, Outrigger Weld.....	2
4	783-02903	Tie Down, Support Bar	1
5	870-20234	Pin, Cylinder Base	2
6	870-20233	Pin, Cylinder Rod.....	2
7	200-10011	Ring, Snap	8
8	729-00411	Pad, Wear	2
9	220-07041	Tie Down stud.....	4
10	221-97002	Washer, Lock 3/4 NC.....	8
11	222-07005	Washer, flat.....	8
12	514-54004	Elbow, 90 Deg.	2
13	513-40014	Connector, Straight.....	2

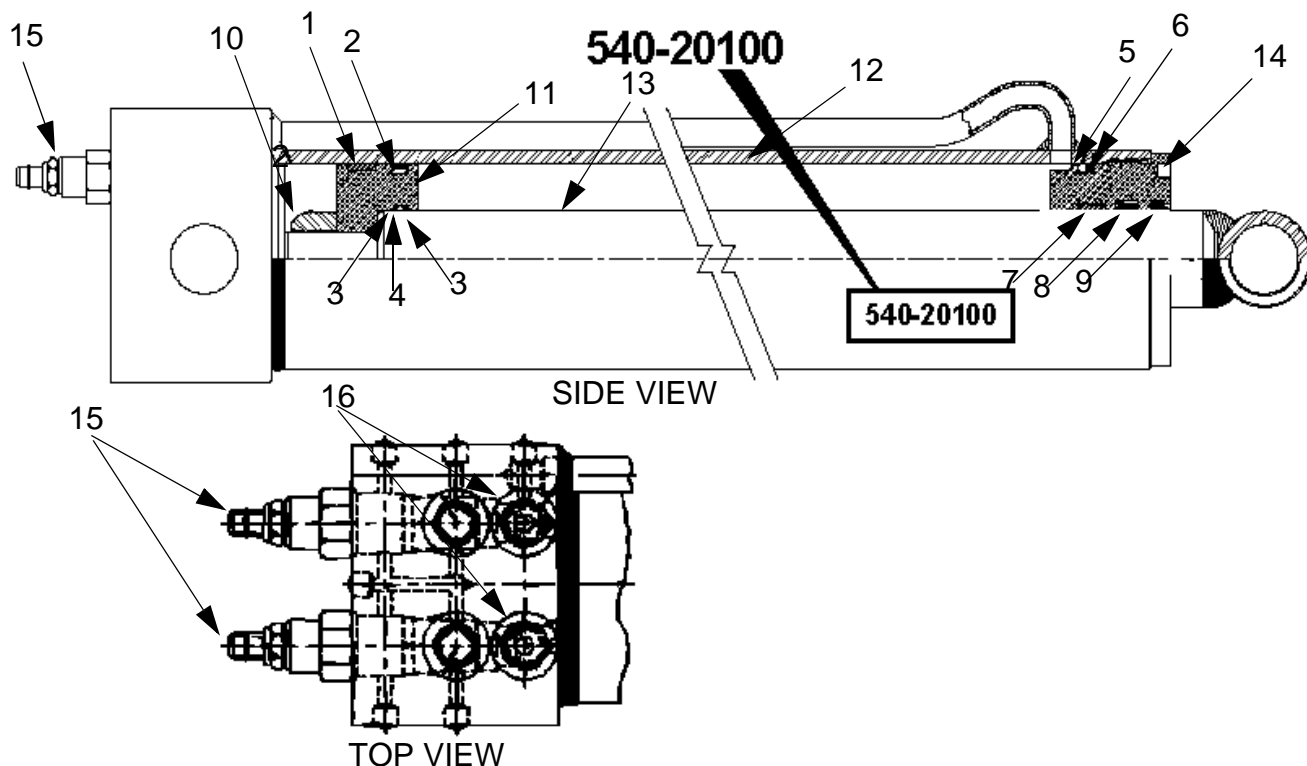
WHEN ORDERING PARTS, SPECIFY MODEL NUMBER, SERIAL NUMBER AND DESCRIPTION OF PARTS REQUIRED



AUXILIARY OUTRIGGER
Installation - BT 2047 / BT2057

DATE: Revised 03-2006
MODEL: BT2000 Series
Page 03.3

GROUP
03



Auxiliary Outrigger Cylinder

REF	PART NO.	DESCRIPTION	QTY	REF	PART NO.	DESCRIPTION	QTY
540-20100		Auxiliary Outrigger Cylinder..... (Green) (Includes Items 1 Through 15)	2	10	346-00722	Lock Nut.....	1
				11	346-00723	Piston.....	1
				12	346-00724	Barrel Assembly.....	1
				13	346-00725	Rod Assembly.....	1
268-91013		Seal Kit (For P/N 540-20100)..... (Includes Items 1 Through 9)	1	14	346-00726	Internal Head.....	1
				15	552-00088	Counterbalance Valve.....	2
					059-0013	Seal Kit for Counterbalance Valve.....	1

ALTERNATE CYLINDER MANUFACTURERS

REF	PART NO.	DESCRIPTION	QTY	REF	PART NO.	DESCRIPTION	QTY
*	540-20106	Auxiliary Outrigger Cylinder..... (Simon)	2	*	540-20134	Auxiliary Outrigger Cylinder..... (Goldstar)	2
*	268-90126	Kit, Seal, (For P/N 540-20106)..... (Includes Items 1 Through 9)	1	*	268-90170	Kit, Seal, (For P/N 540-20134)..... (Includes Items 1 Through 9)	1
	540-20133	Auxiliary Outrigger Cylinder..... (Great Bend)	2	*	540-20132	Auxiliary Outrigger Cylinder..... (Goldstar)	2
*	268-90158	Kit, Seal, (For P/N 540-20133)..... (Includes Items 1 Through 9)	1	*	268-90157	Kit, Seal, (For P/N 540-20132)..... (Includes Items 1 Through 9)	1

SEAL KITS CONTENTS

1	N/A	Wear, Ring.....	1	6	N/A	Back-Up ring.....	1
2	N/A	PSP Seal.....	1	7	N/A	Wear ring.....	1
3	N/A	Back-Up Ring.....	2	8	N/A	Loaded U-Cup.....	1
4	N/A	O-Ring.....	1	9	N/A	Rod Wiper.....	1
5	N/A	O-Ring.....	1				

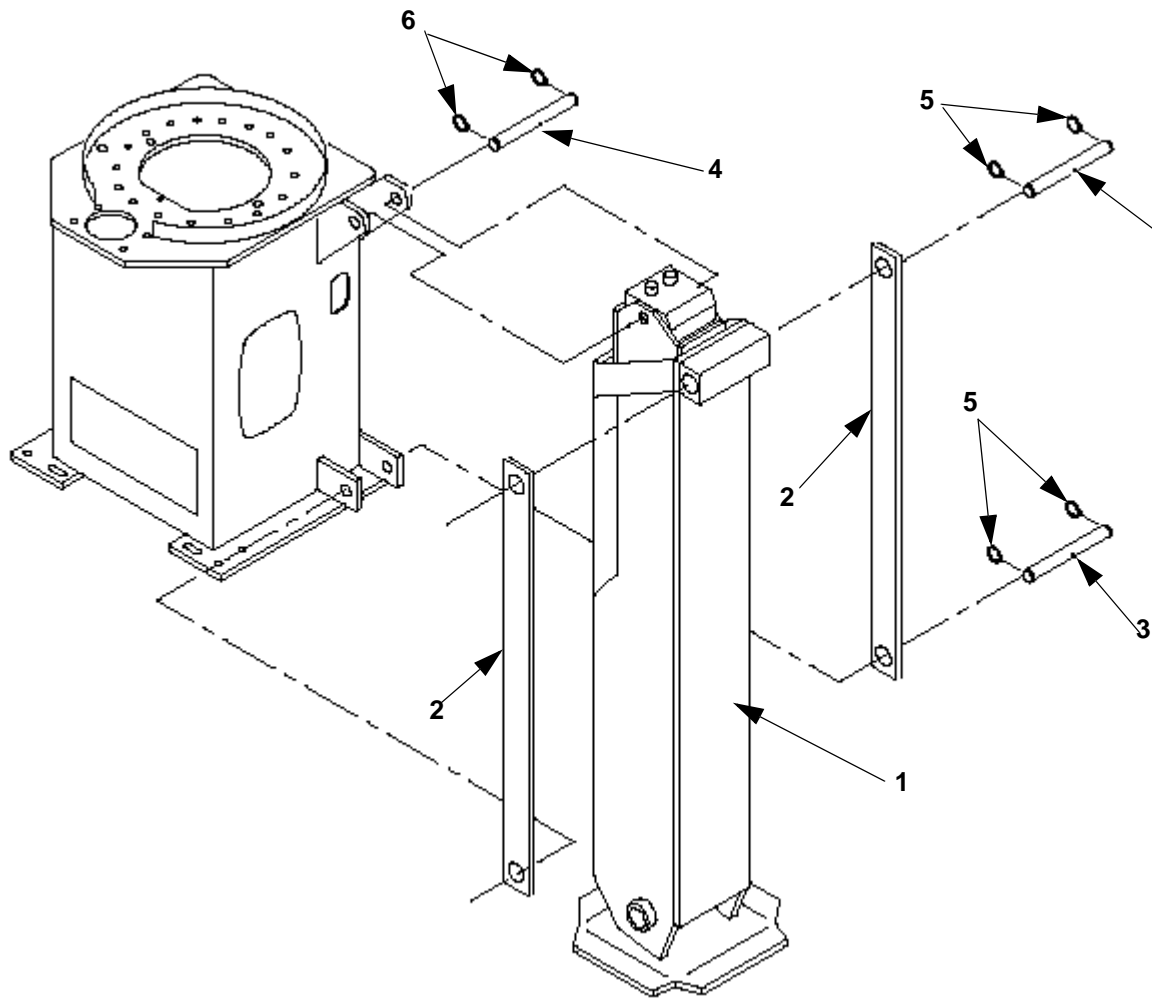
WHEN ORDERING PARTS, SPECIFY MODEL NUMBER, SERIAL NUMBER AND DESCRIPTION OF PARTS REQUIRED



AUXILIARY OUTRIGGER CYLINDER

DATE: Revised 03-2006
 MODEL: BT2000 Series
 Page 03.4

GROUP 03



Main Outrigger Installation

<u>REF</u>	<u>PART NO.</u>	<u>DESCRIPTION</u>	<u>QTY</u>	<u>REF</u>	<u>PART NO.</u>	<u>DESCRIPTION</u>	<u>QTY</u>
1	701-00482	Pedestal Weldment	Ref	6	870-50067	Pin, Link Outrigger	2
	760-00006	Install Group, Main Outrigger (Includes Items * Through 15)		7	870-50066	Pin, Upper and Lower Outrigger	2
				8	200-30008	Ring, snap	8
				9	729-02238	Pad wear	2
*	760-00276	Outrigger, Main Assembly	2	10	729-02239	Pad Wear	1
2	760-10303	Leg, Outrigger Inner Weldment	1	11	220-01005	Screw, 5/16UNC x 1" Long	6
3	540-20139	Cylinder, Main Outrigger	1	12	222-11005	Washer, Lock	6
4	760-10302	Leg, Outer Outrigger Weldment	1	13	223-00306	Screw, 5/16UNC x 1" Long	2
5	760-90031	Bar, Link	2	14	760-30163	Shoe, Outrigger Weldment	1
				15	515-05003	Elbow, 90 Deg.....	2

NOTE - ONLY ONE SIDE SHOWN
Both Sides Identical

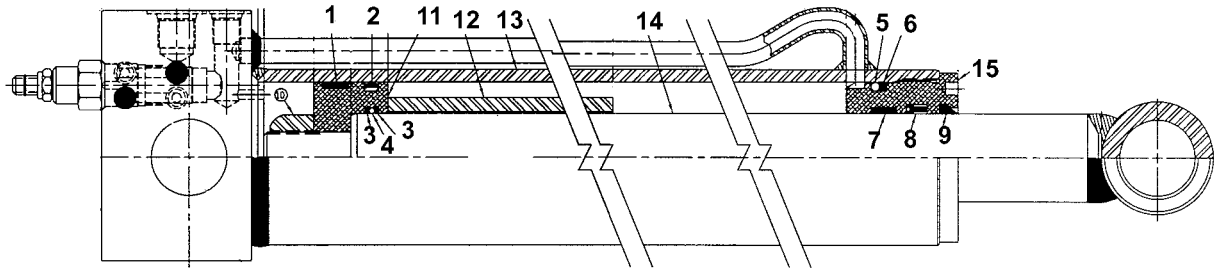
WHEN ORDERING PARTS, SPECIFY MODEL NUMBER, SERIAL NUMBER AND DESCRIPTION OF PARTS REQUIRED



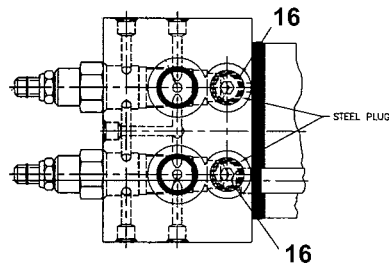
**MAIN OUTRIGGER
INSTALLATION**

DATE: Revised 03-2006
MODEL: BT2000 Series
Page 03.5

**GROUP
03**



TOP VIEW



Main Outrigger Cylinder

REF	PART NO.	DESCRIPTION	QTY	REF	PART NO.	DESCRIPTION	QTY
	540-20139	Main Outrigger Cylinder Assembly.....	2	4		O-Ring.....	1
	268-90170	Seal Kit, (For P/N 540-20139 (Seal Kits Contents Items 1-9)	1	5		O-Ring.....	1
1		Wear Ring	1	6		Back-Up Ring.....	1
2		PSP Seal.....	1	7		Wear Ring.....	1
3		Back-Up Ring.....	2	8		Loaded U-Cup.....	1
				9		Rod Wiper.....	1

**CYLINDER COMPONENTS
(ITEMS 10-16)**

10	812-00015	Locknut.....	1	14	812-00020	Rod Assembly.....	1
11	812-00010	Piston	1	15	812-00013	Internal Head	1
12	812-00018	Spacer.....	1	16	812-00014	Steel Plug.....	2
13	812-00019	Barrel Assembly	1				

Seal Kit for CB Cartridge 054-00013

WHEN ORDERING PARTS, SPECIFY MODEL NUMBER, SERIAL NUMBER AND DESCRIPTION OF PARTS REQUIRED

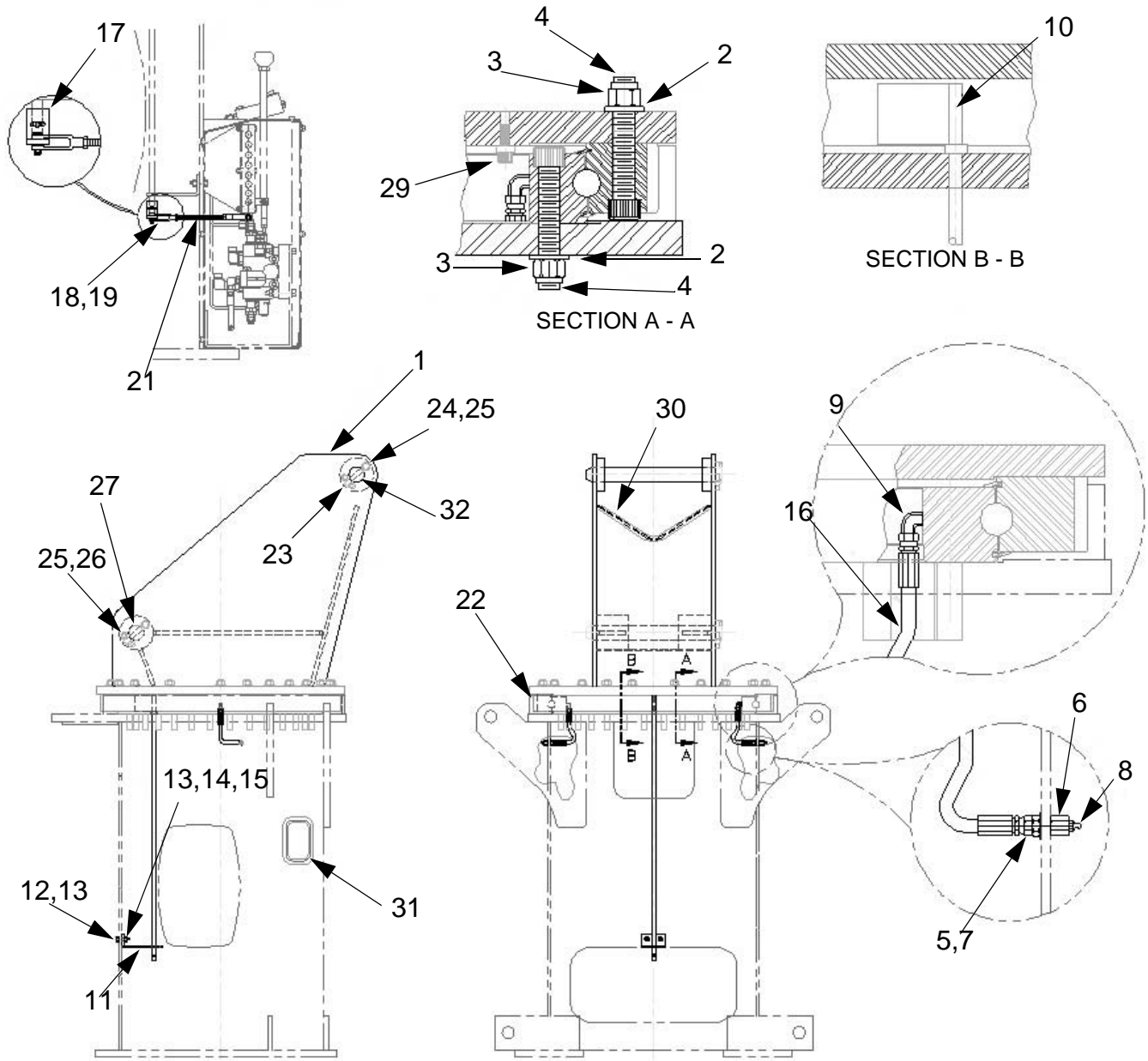


**MAIN OUTRIGGER
CYLINDER**

DATE: Revised 03-2006
 MODEL: BT2000 Series
 Page 03.6

**GROUP
03**

12 SUPERSTRUCTURE



Turret /Rotation Gear Installation

REF	PART NO.	DESCRIPTION	QTY	REF	PART NO.	DESCRIPTION	QTY
1	712-00276	Turret, 2000 Series.....	1	9	514-02002	Elbow, 90 Deg. 1/4 Tube x 1/8 NPT	2
2	222-06010	Washer, Flat 5/8 Hard	55	10*	719-00313	Swing Stop Rod weldment.....	1
3	1205-195	Locknut, Hex 5/8	55	11*	785-01678	Support Angle, Swing Stop.....	1
4	220-36022	Socket Head Capscrew.....	55	12*	220-01006	Capscrew, Hex Head 5/16-18UNC x 1.5 ...	2
5	222-02005	Washer, Flat 3/8".....	2	13*	222-01001	Washer, Flat 5/16.....	4
6	518-20001	Bulkhead Connector.....	2	14*	222-11002	Washer, Lock, 5/16.....	2
7	511-21001	Locknut.....	2	15*	221-01001	Nut, Hex 5/16-18 UNC	2
8	501-03002	Zerk, 1/8 NPT.....	2	16	502-00180	Hose Assembly, Swing Bearing Lube.....	2

WHEN ORDERING PARTS, SPECIFY MODEL NUMBER, SERIAL NUMBER AND DESCRIPTION OF PARTS REQUIRED



**TURRET /ROTATION GEAR
INSTALLATION**

DATE: Revised 03-2006
 MODEL: BT2000 Series
 Page 12.1

**GROUP
12**

<u>REF</u>	<u>PART NO.</u>	<u>DESCRIPTION</u>	<u>QTY</u>	<u>REF</u>	<u>PART NO.</u>	<u>DESCRIPTION</u>	<u>QTY</u>
17*	100-30028	Collar Casting, Swing stop	1	25	222-16003	Washer, Lock 5/8"	8
18*	870-00129	Clevis Pin, 5/16"	2	26	220-36010	Bolt, Socket Head 5/8	4
19*	224-02001	Cotter Pin	2	27	870-60232	Pin	2
20*	224-14004	Roll Pin	1	28	220-32001	Bolt socket Head 3/8-16	1
21*	806-00245	Swing K/O Link Assembly	1	29	011-20013	Spacer	1
22	716-00040	Rotation Bearing, 2000 Series	1	30	209-00802	Trim Edging 5/8	2ft
23	224-26005	Rod End	2	31	209-00470	Trim Edging 1/2	3ft
24	220-06037	Bolt, Hex Head 5/8-11	2	32	870-60233	Pin, 2.25 Dia. x 17.88	1

NOTE, * Non-Continuous Rotation ONLY

WHEN ORDERING PARTS, SPECIFY MODEL NUMBER, SERIAL NUMBER AND DESCRIPTION OF PARTS REQUIRED



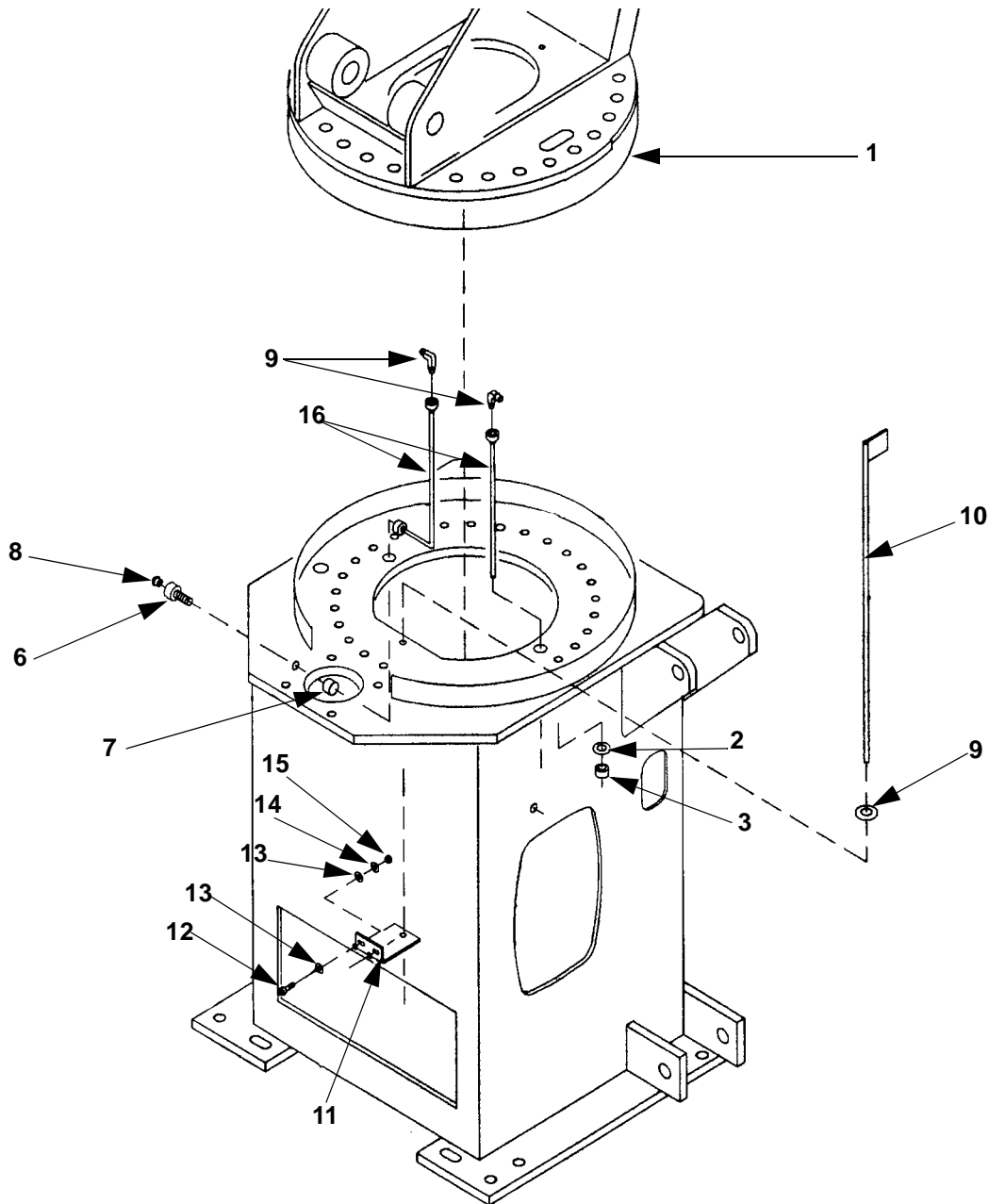
TURRET /ROTATION GEAR INSTALLATION

DATE: Revised 03-2006

MODEL: BT2000 Series

Page 12.2

**GROUP
12**



370 Deg Rotation Stop Installation

REF	PART NO.	DESCRIPTION	QTY	REF	PART NO.	DESCRIPTION	QTY
1	712-00167 711-00006	Turret Assembly, 3000 Series (BT3000 Standard Install Group)	1	9	514-02002	Elbow, 90 Deg. 1/4 Tube x 1/8NPT	2
2	222-09004	Washer, Flat 1 PLTD	24	10	719-00323	Rod, Swing Stop Weldment	1
3	221-99002	Nut, Top Lock	24	11	785-01678	Angle, Swing Stop Support	1
6	518-20001	Connector, Bulkhead 1/8FPT	2	12	220-01003	Screw, HHC 5/16NC x 1 1/4" Long	2
7	511-21001	Nut, Lock	2	13	222-01001	Washer, Flat 5/16 PLTD	4
8	501-03002	Zerk, 1/8NPT	2	14	222-11002	Washer, Lock 5/16 PLTD	2
				15	221-01001	Nut, Hex 5/16NC	2
				16	502-00180	Hose Assembly, Swing Bearing Lube	2

WHEN ORDERING PARTS, SPECIFY MODEL NUMBER, SERIAL NUMBER AND DESCRIPTION OF PARTS REQUIRED

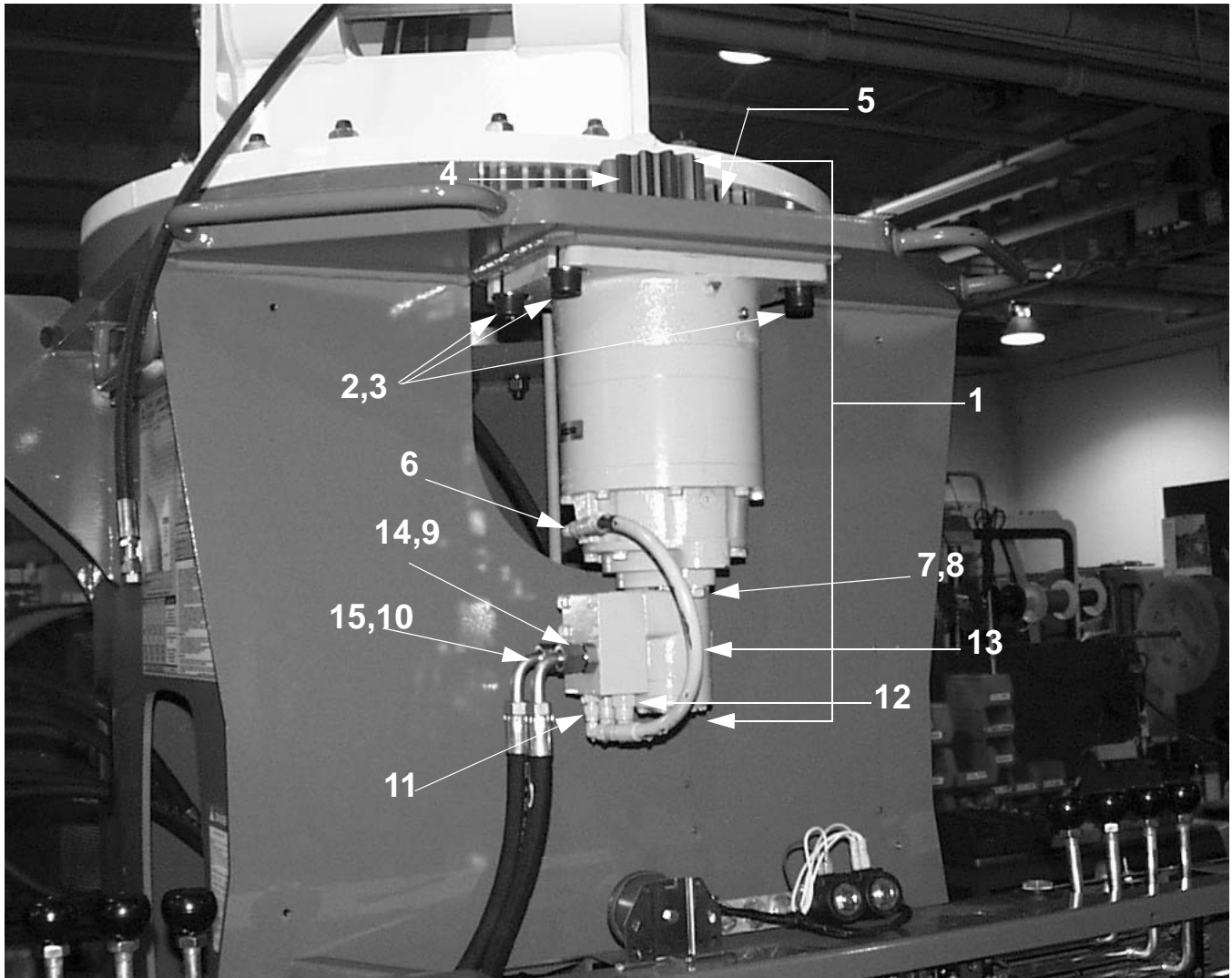


**370 Deg ROTATION STOP
INSTALLATION**

DATE: Revised 03-2006
 MODEL: BT2000 Series
 Page 12.3

**GROUP
12**

22 SWING SYSTEM



Swing Motor Installation

REF	PART NO	DESCRIPTION	QTY	REF	PART NO	DESCRIPTION	QTY
	210-00047	Kit, Swing Install..... Ref (Includes Items 2,3, & 17 through 19)		10	552-10201	Adapter, Motor Control.....	1
1	292-00037	Gearbox, Rotation Assembly.....	1	11	513-20027	Connector, Straight.....	1
	530-20130	Motor, Swing (W/Valve, Swing Assembly .	1	12*	552-00101	Cartridge, Counterbalance.....	2
2	220-37020	Bolt, Socket Head, 3/4-10UNRC-3 x 2 1/4"4		13	502-10974	Hose, Brake	1
3	222-07003	Washer, Flat 3/4 PLT Hard.....	4	14	**	Hose, Hydraulic Supply.....	1
4	058-00668	Output Pinion Gear.....	1	15	**	Hose, Hydraulic Return.....	1
5*	280-00523	Ring, Eccentric	1	NOTE: The Following Items Are Removed For Clarity			
6	514-52003	Elbow, 90 Deg.	1	15	802-01460	Cover, Pinion Gear	1
7	220-34007	Bolt, SOC HD, 1/2NC x 1 1/4" Long.....	2	16	802-01432	Cover, Front Plate.....	1
8	222-04009	Washer, Flat 1/2 Hardened	2	17	223-15210	Capscrew 5/16NC x 3/4 Self Thread	6
9	552-10202	Orifice Screw	1	18	222-11002	Washer, Lock 5/16.....	6
				19	222-01001	Washer, Flat 5/16.....	6

*SEAL KIT 059-00013

WHEN ORDERING PARTS, SPECIFY MODEL NUMBER, SERIAL NUMBER AND DESCRIPTION OF PARTS REQUIRED



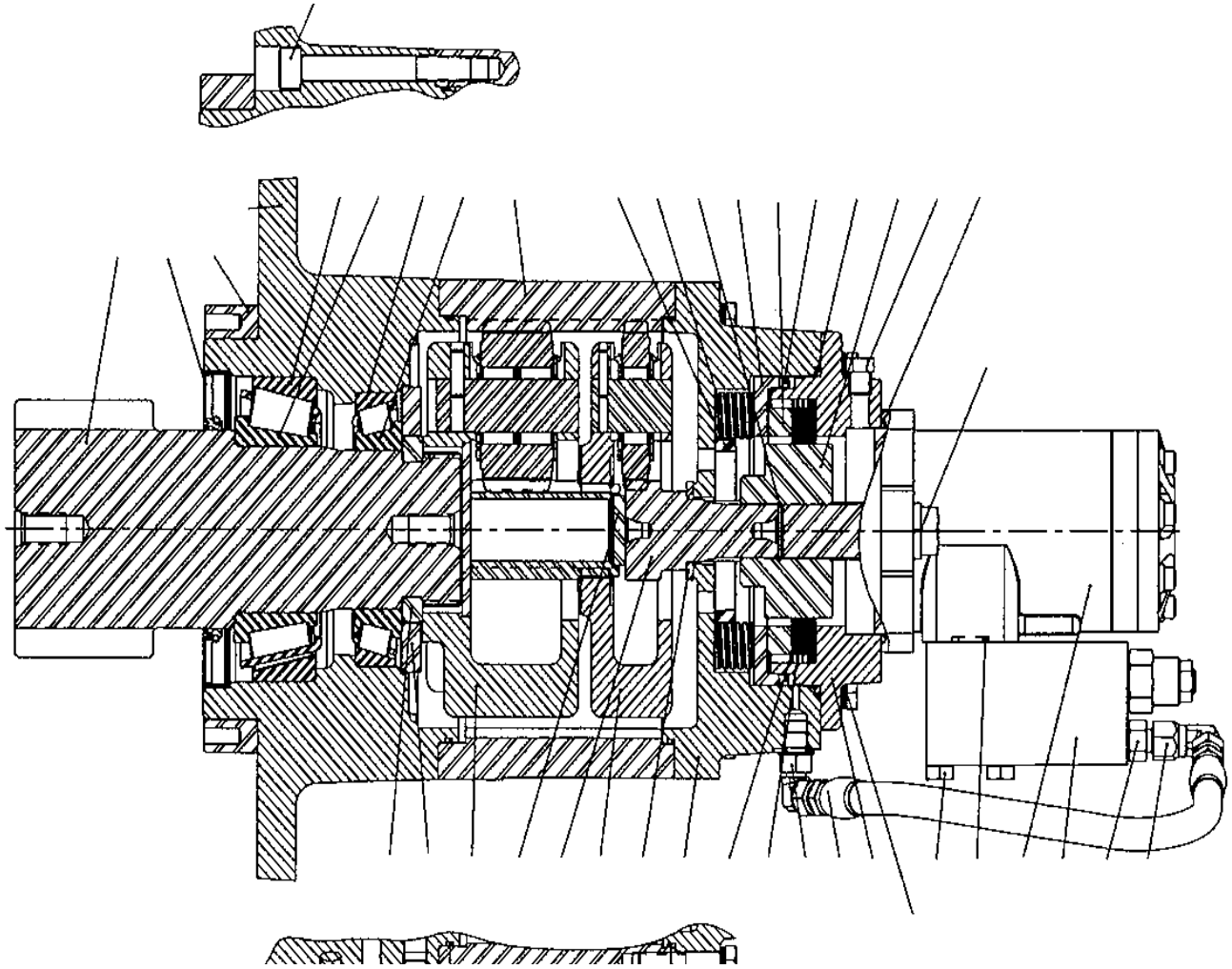
SWING MOTOR INSTALLATION

DATE: Revised 03-2006

MODEL: BT2000 Series

Page 22.1

**GROUP
22**



Rotation Gearbox Assembly

REF	PART NO.	DESCRIPTION	QTY	REF	PART NO.	DESCRIPTION	QTY
	292-00037	Gearbox Assembly, Rotation.....	1	19	058-00677	Thrust Washer	1
2	058-00661	Ring, Gear	1	20	058-00678	Primary Sun Gear	1
3	058-00662	Primary Planet Gear Assembly	1	21	058-00679	Thrust Washer	1
4	058-00663	Output Planet Gear Assembly.....	1	22	058-00680	Capscrew, Socket Head, (Metric 8mm 1.25 x 35mm G10.9)	8
5	058-00664	O-Ring.....	2	23	058-00681	Lock washer, Metric (8mm).....	16
6	058-00665	Output Pinion Bearing Carrier	1	24	058-00682	Brake Housing	1
7	058-00123	Grease Fitting.....	1	25	058-00683	Spring.....	6
8	058-00047	Vent Plug.....	1	26	058-00684	Spring Spacer	1
9	058-00666	ORB Flush Plug.....	2	27	058-00685	Brake Plate	1
10	058-00667	Capscrew, Socket Head, (Metric 10mm 1.25 x 80mm G12.9).....	12	28	058-00686	Seal, U-Cup	1
11	058-00668	Output Pinion Gear.....	1	29	058-00687	Brake Plate Spacer	1
12	058-00670	Seal	1	30	058-00688	Friction Disc.....	3
13	058-00671	Bearing Cone	1	31	058-00689	Brake Disc.....	8
14	058-00672	Bearing Cup	1	32	058-00690	Brake Hub.....	1
15	058-00673	Bearing Cone	1	33	058-00691	Retaining Ring	1
16	058-00674	Bearing Cup	1	34	058-00692	O-Ring.....	1
17	058-00675	Split Ring.....	1	35	058-00693	Pipe, Plug.....	1
18	058-00676	Split Ring Retainer	1	36	058-00694	O-Ring.....	1
				37	058-00696	Hydraulic Motor (5.9 cu. in.).....	1

WHEN ORDERING PARTS, SPECIFY MODEL NUMBER, SERIAL NUMBER AND DESCRIPTION OF PARTS REQUIRED



**ROTATION GEARBOX
ASSEMBLY**

DATE: Revised 03-2006
MODEL: BT2000 Series
Page 22.2

**GROUP
22**

<u>REF</u>	<u>PART NO.</u>	<u>DESCRIPTION</u>	<u>QTY</u>	<u>REF</u>	<u>PART NO.</u>	<u>DESCRIPTION</u>	<u>QTY</u>
38	058-00697	Motor Adapter.....	1	46	058-00703	Elbow fitting, 90 Deg.	1
39	058-00698	Capscrew, Hex Head (1/2NC x 1 1/4G5) ..	2	47	058-00704	Hose Assembly	1
40	058-00034	Lock washer (1/2).....	2	48	NOT USED		
41	058-00699	Eccentric Ring	1	49	058-00705	Capscrew, Socket Head, (Metric 8mm 1.25 x 25mm G10.9)	8
42	058-00700	Brake Valve Block with CB Cartridges	1	50	058-00706	Adapter	1
43	NOT USED			51	058-00707	Swivel Nut 90 Deg.	1
44	058-00701	Capscrew, Hex Head (5/16NC x 2 1/2G5) 2					
45	058-00702	O-Ring.....	2				

WHEN ORDERING PARTS, SPECIFY MODEL NUMBER, SERIAL NUMBER AND DESCRIPTION OF PARTS REQUIRED

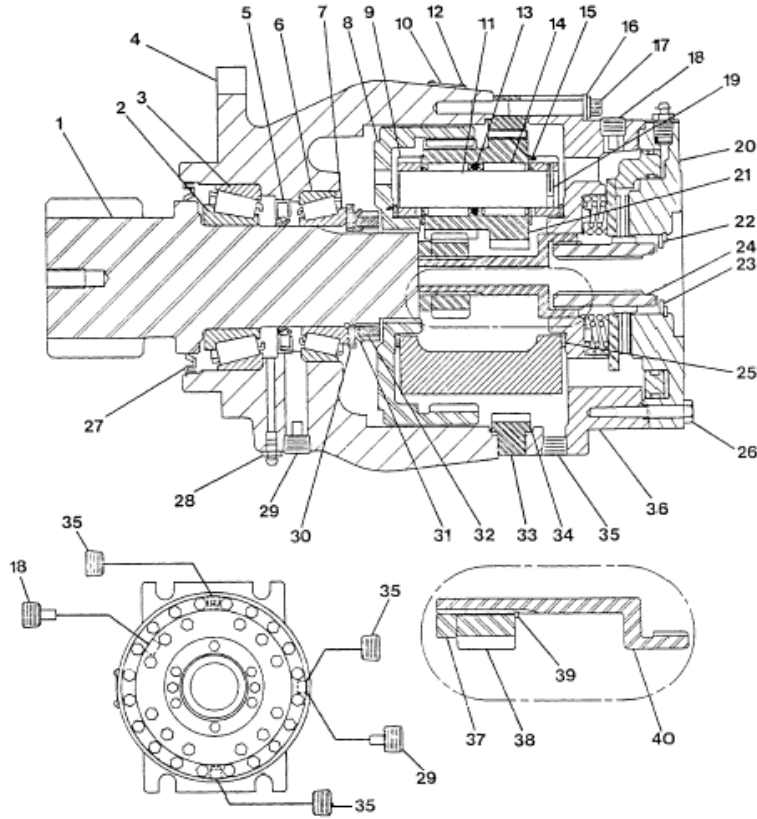


**ROTATION GEARBOX
ASSEMBLY**

DATE: Revised 03-2006
MODEL: BT2000 Series
Page 22.3

**GROUP
22**

292-00033



Swing Gearbox

REF	PART NO.	DESCRIPTION	QTY	REF	PART NO.	DESCRIPTION	QTY
1	342-00033	Output shaft.....	1	22	342-00050	Ring, retaining.....	3
2	342-00005	Tapered Bearing Cone.....	1	23	342-00047	Washer, Thrust.....	1
3	342-00004	Tapered Bearing Cup.....	1	24	342-00046	Coupling.....	1
4	342-00034	Housing.....	1	25	342-00028	Washer, thrust.....	2
5	342-00014	Lip Seal.....	1	26	342-00051	Bolt, Hex Head.....	12
6	342-00006	Tapered bearing Cup.....	1	27	342-00036	Seal, Lip.....	1
7	342-00007	Tapered Bearing Cone.....	1	28	342-00013	Fitting, Grease.....	1
8	342-00040	Internal gear.....	1	29	342-00037	Pipe, Magnetic Plug.....	1
9	342-00017	Carrier.....	1	30	342-00009	Washer, flat.....	1
10	342-00044	ID Plate.....	1	31	342-00010	Washer, flat.....	1
11	342-00021	Planet Shaft.....	3	32	342-00011	Nut, bearing.....	1
12	342-00045	Drive Screw.....	4	33	342-00041	Gear, Ring.....	1
13	342-00020	Spacer.....	3	34	342-00025	O-Ring.....	2
14	342-00019	Needle Bearing.....	3	35	342-00053	Pipe Plug.....	3
15	342-00018	Thrust Washer.....	114	36	342-00048	Brake, Hub.....	1
16	342-00030	Washer, Lock.....	20	37	342-00042	Spacer.....	1
17	342-00052	Bolt, Ferry.....	20	38	342-00035	Sun Gear.....	1
18	342-00032	Pipe, Plug Magnetic.....	1	39	342-00043	Ring, Retaining.....	1
19	342-00023	Pin, Roll.....	3	40	342-00038	Coupling.....	1
20	342-00049	Brake, Input.....	1				
21	342-00039	Gear, Cluster.....	3				

WHEN ORDERING PARTS, SPECIFY MODEL NUMBER, SERIAL NUMBER AND DESCRIPTION OF PARTS REQUIRED



SWING GEARBOX

DATE: Revised 03-2006

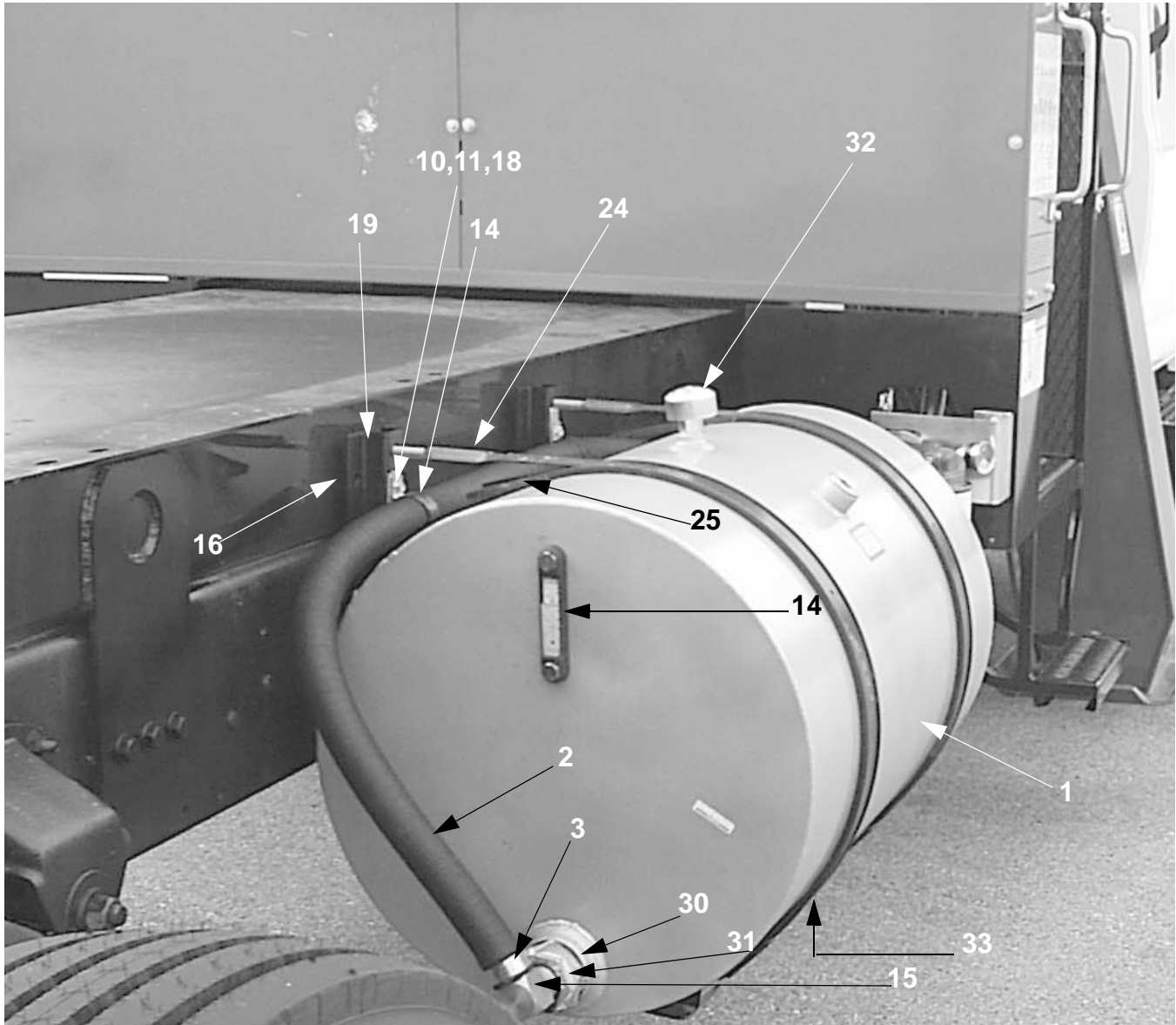
MODEL: BT2000 Series

Page 22.4

GROUP

22

25 HYDRAULIC SYSTEM



Hydraulic Reservoir & Filter Installation

REF	PART NO.	DESCRIPTION	QTY	REF	PART NO.	DESCRIPTION	QTY
1	875-90335	Reservoir, Hydraulic Oil, 70 Gal.	1	9	220-04005	Bolt, Hex Head 1/2NC x 1 1/2" Long	8
2	503-03001	Hose 1 1/2 I.D.	A/R	10	221-96005	Nut, Hex Head 5/8NC PLTD	8
3	201-00146	Clamp, Hose 1 1/2, T-Bolt	2	11	222-06006	Washer, Flat 5/8 PLTD	16
4	504-00706	Coupling Hose, 1 1/4 MPT	1	12	505-03001	Flange, 1 1/2	2
5	510-90279	Tube, Return Assembly	1	13	260-30004	O-Ring	3
6	509-02013	Filter Head	1	14	400-15088	Cable, Tie	2
7	220-04001	Bolt, Hex Head, 1/2NC x 2" Long	4	15	504-03407	Hose, End, 90 Deg	1
8	222-14003	Washer, Lock 1/2 PLTD	12	16	789-05507	Hydraulic Tank Frame Spacer	2

WHEN ORDERING PARTS, SPECIFY MODEL NUMBER, SERIAL NUMBER AND DESCRIPTION OF PARTS REQUIRED



HYDRAULIC RESERVOIR & FILTER INSTALLATION

DATE: Revised 03-2006

MODEL: BT2000 Series

Page 25.1

GROUP
25



Hydraulic Reservoir & Filter Installation

REF	PART NO.	DESCRIPTION	QTY	REF	PART NO.	DESCRIPTION	QTY
17*	501-02014	Filter Element	2	24	201-00181	Clamp, Cable	3
18	220-06032	Bolt, Hex Head 5/8 NC x 2" Long	8	25	NOT USED		
19	223-15210	Screw, 5/16 x 3/4 Self Tapping	3	26	222-01001	Washer, Flat 5/16 PLTD	2
20	935-00113	Filter, By-Pass Gauge	1	27	221-01001	Nut, Hex, 5/16NC PLTD.....	2
21	770-02621	Bracket, Hydraulic Filter Mounting	1	28	NOT USED		
22	220-01004	Bolt, 5/16NC x 3/4" Long	2	29**	505-03003	Flange, 1 1/2.....	
23	222-11002	Washer, Lock 5/16 PLTD	2	REF			

* ITEMS NOT SEEN
 **ITEM PART OF #12

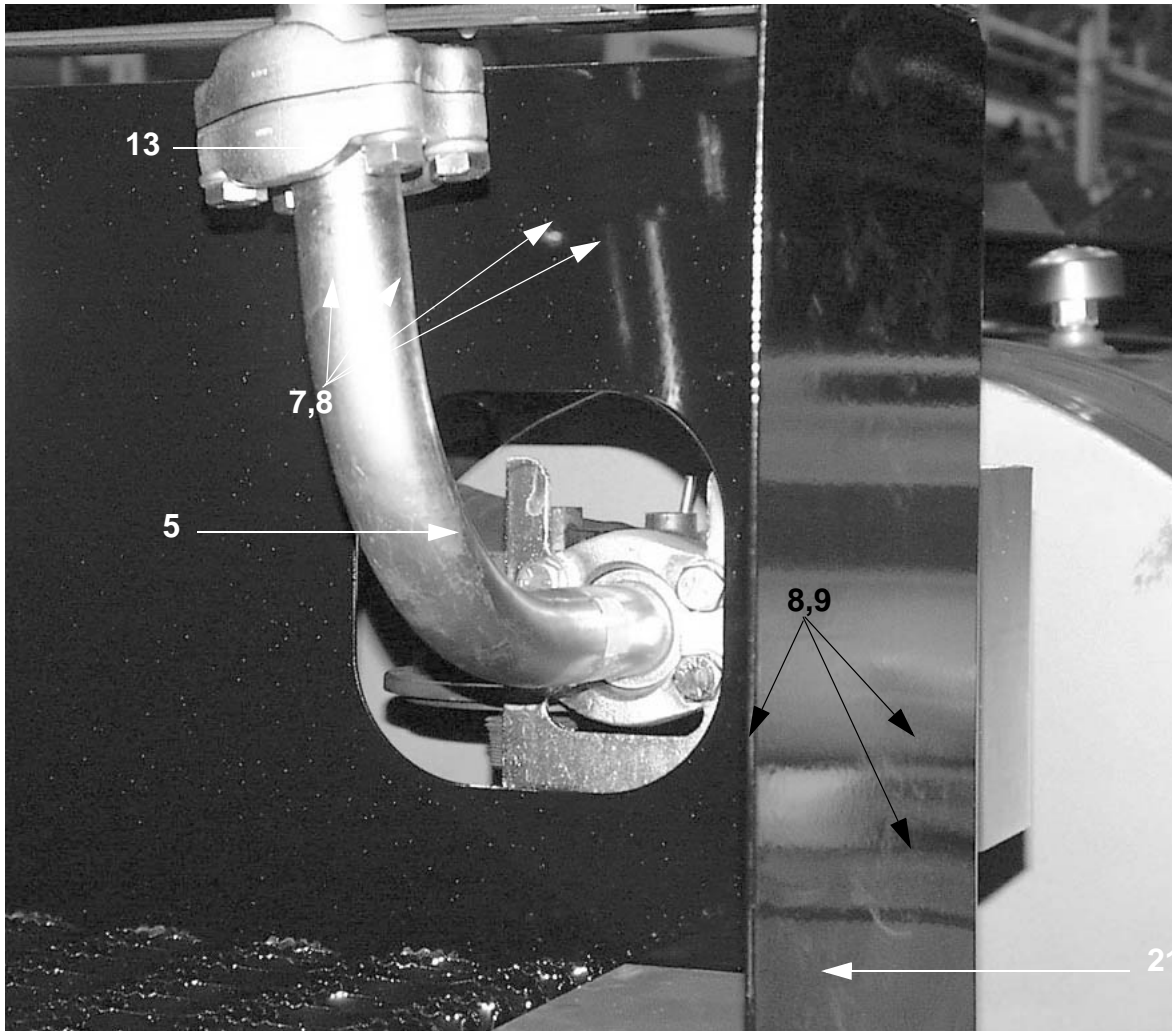
WHEN ORDERING PARTS, SPECIFY MODEL NUMBER, SERIAL NUMBER AND DESCRIPTION OF PARTS REQUIRED



HYDRAULIC RESERVOIR & FILTER INSTALLATION

DATE: Revised 03-2006
 MODEL: BT2000 Series
 Page 25.2

GROUP
25



Aluminum Hydraulic Reservoir Assembly

<u>REF</u>	<u>PART NO.</u>	<u>DESCRIPTION</u>	<u>QTY</u>	<u>REF</u>	<u>PART NO.</u>	<u>DESCRIPTION</u>	<u>QTY</u>
30	875-90329	Reducer, 2 1/2NPT x 2NPT.....	1	33	875-90332	Plug, Socket Head 3/4NPT	1
31	875-90330	Diffuser, 2NPT x 1 1/4NPT.....	1	34	570-90055	Valve, 2 1/2" Gate.....	1
32	875-90138	Cap, Breather Assembly	1	35	570-09005	Nipple, 2 1/2" Closed	1
				36	504-00902	Coupling, 1 1/2" Hose	1

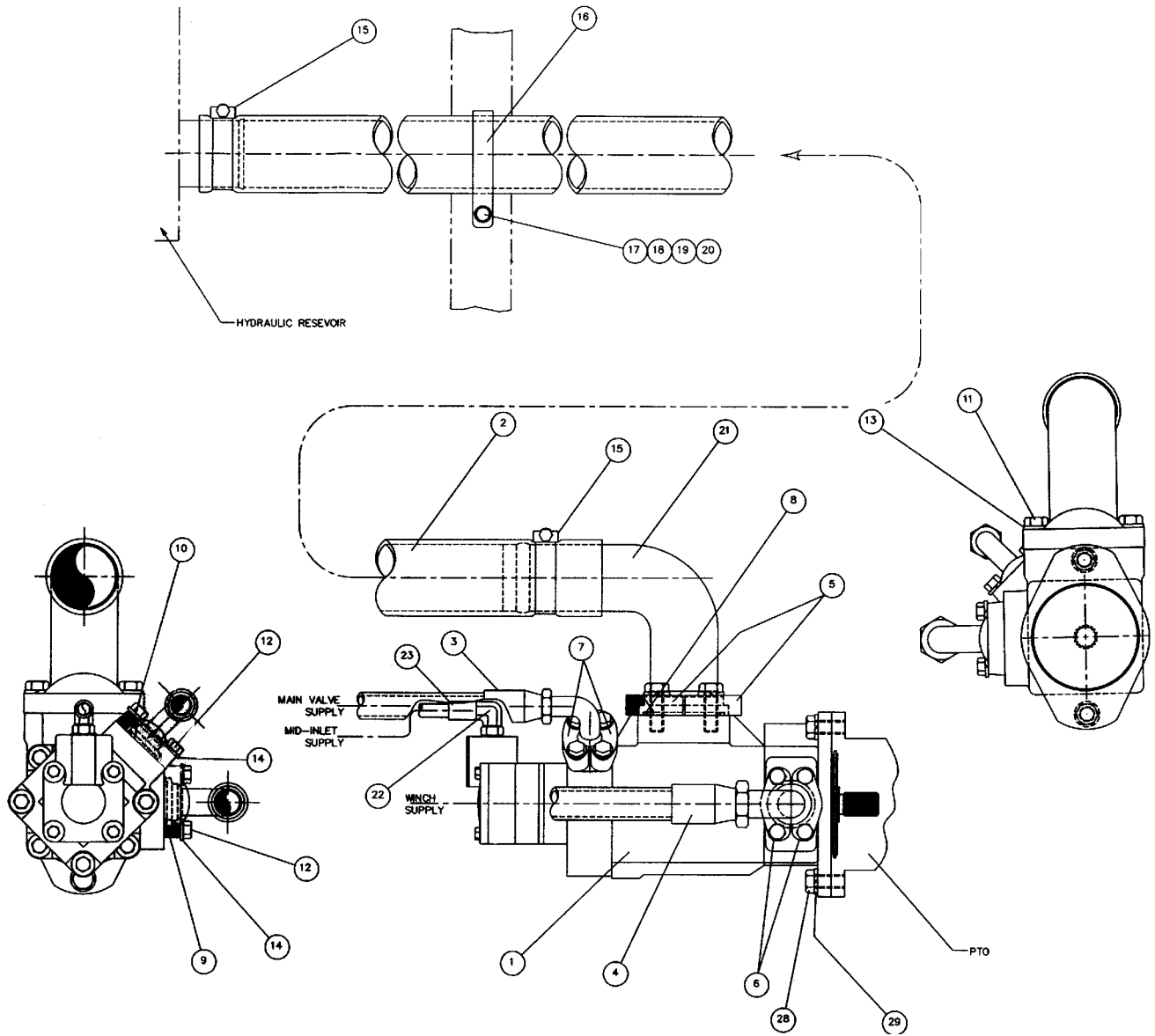
WHEN ORDERING PARTS, SPECIFY MODEL NUMBER, SERIAL NUMBER AND DESCRIPTION OF PARTS REQUIRED



**HYDRAULIC RESERVOIR
ASSEMBLY**

DATE: Revised 03-2006
 MODEL: BT2000 Series
 Page 25.3

**GROUP
25**



REF	PART NO.	DESCRIPTION	QTY	REF	PART NO.	DESCRIPTION	QTY
1	521-00082	Pump assembly.....	1	15	201-00248	Clamp, Hose T-Bolt, 1/2" Dia.....	2
2	503-06009	Hose Assembly, Suction.....	1	16	201-00119	Clamp, Conduit 2 1/2" Dia.....	1
3	502-40718	Hose Assembly, Main Supply.....	1	17	220-01010	Bolt, Hex Head, 5/16 NC x 1 3/4" Long.....	1
4	502-50312	Hose Assembly, Winch supply.....	1	18	221-01001	Nut, Hex Head 5/16NC.....	1
5	505-06001	Flange, Split Half 2 1/2.....	2	19	222-01001	Washer, Flat, 5/16 PLTD.....	1
6	505-02001	Flange, Split Half 1".....	2	20	222-11002	Washer, Lock 5/16 PLTD.....	1
7	505-02001	Flange, Split Half 3/4".....	2	21	504-03515	Hose, End, Beaded, 90 Deg.....	1
8	260-50003	O-Ring, Parker.....	1	22	514-55014	Elbow, 90 Deg.....	1
9	260-20003	O-Ring, Parker.....	1	23*	502-30532	Hose Assembly.....	1
10	260-10002	O-Ring, Parker.....	1	24	220-04005	Bolt, Hex Head 1/2NC x 1 1/2" Long.....	2
11	220-04005	Bolt, Hex Head, 1/2NC x 1 1/2.....	4	25	222-14003	Washer, Lock, 1/2 PLTD.....	2
12	220-02002	Bolt, Hex Head, 3/8NC x 1 1/4.....	8	26****	209-00804	Protector, Hose.....	1
13**	222-14003	Washer Lock 1/2 PLTD.....	4	27	519-90067	Flange, Adapter 3/4 12 ORB.....	1
14	222-12001	Washer, Lock 3/8 PLTD.....	8	28	514-59024	Elbow, 90 Deg.....	1

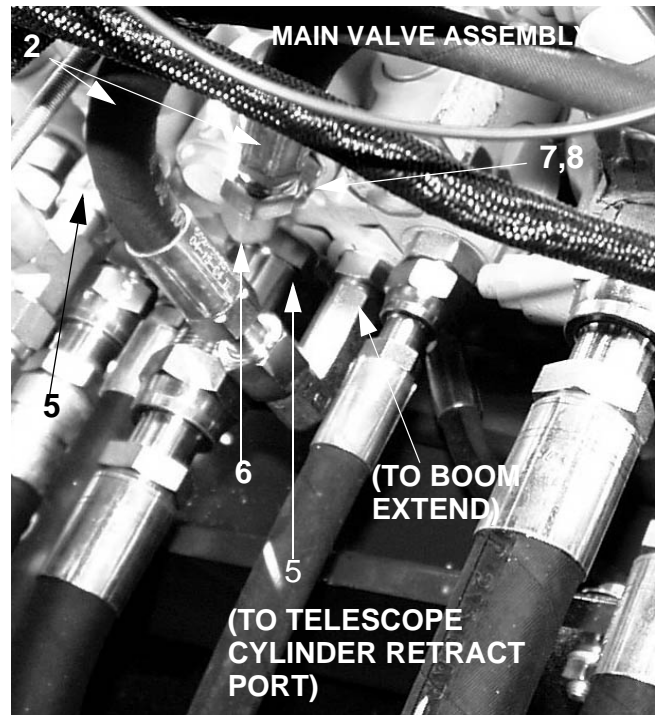
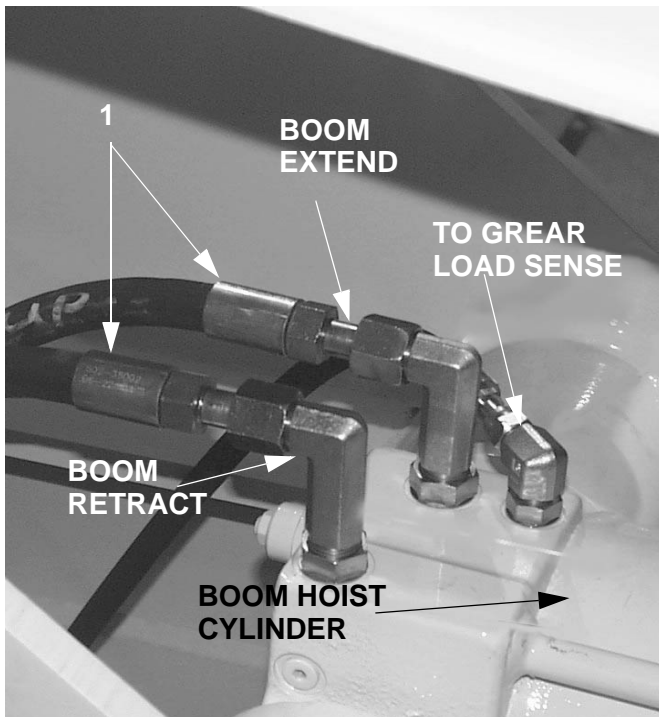
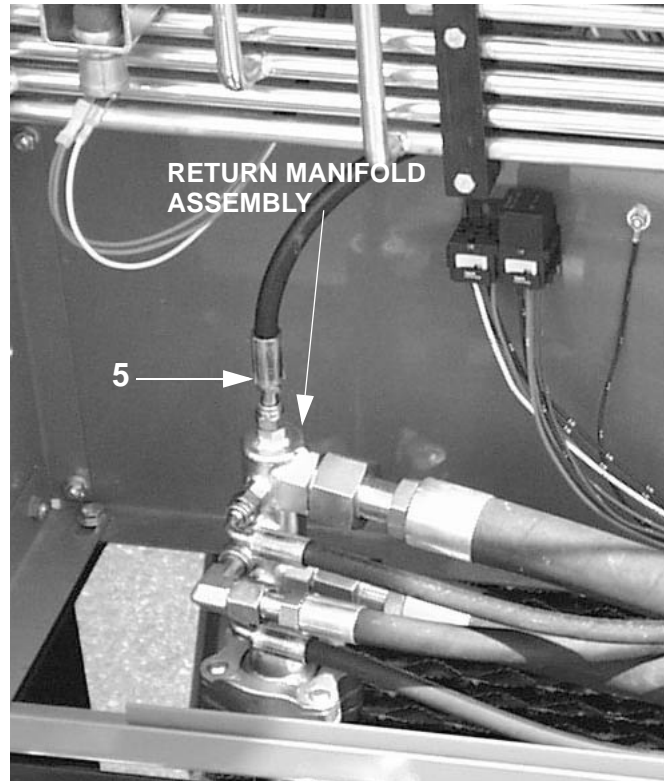
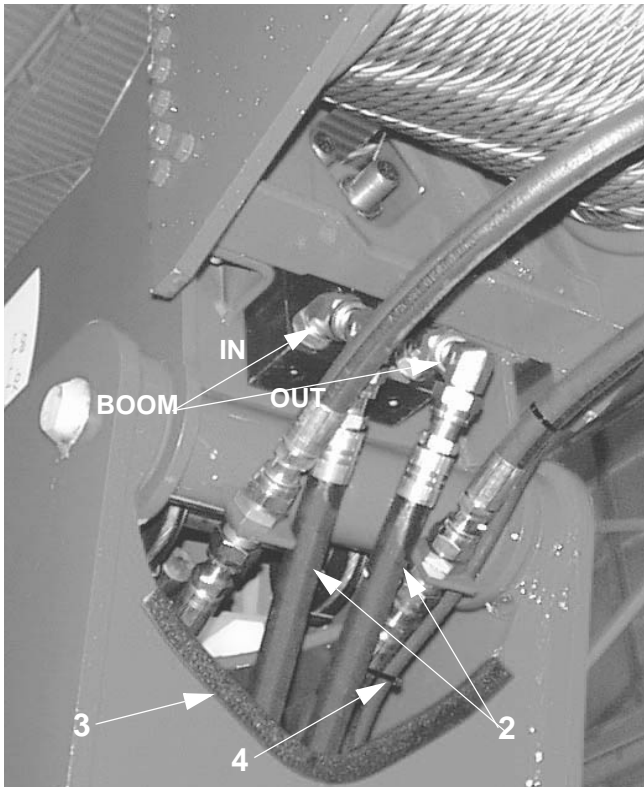
WHEN ORDERING PARTS, SPECIFY MODEL NUMBER, SERIAL NUMBER AND DESCRIPTION OF PARTS REQUIRED



HYDRAULIC PUMP ASSEMBLY

DATE: Revised 03-2006
 MODEL: BT2000 Series
 Page 25.4

GROUP
25



REF	PART NO.	DESCRIPTION	QTY
1	502-35002	Hose Assembly, Boom Hoist.....	2
2	502-40720	Hose Assembly, Telescope.....	2
3	209-00174	Trim, Protective	Ref
4	400-15088	Cable Tie.....	Ref

REF	PART NO.	DESCRIPTION	QTY
5	513-70030	Connector, #12 OFS X #8 orb	2
6	516-85004	Swivel Nut, Run Tee #8 OFS.....	1
7	519-50012	Reducer, #8 x #4 OFS	1
8	511-50004	Nut, Tube #8 OFS.....	1

WHEN ORDERING PARTS, SPECIFY MODEL NUMBER, SERIAL NUMBER AND DESCRIPTION OF PARTS REQUIRED



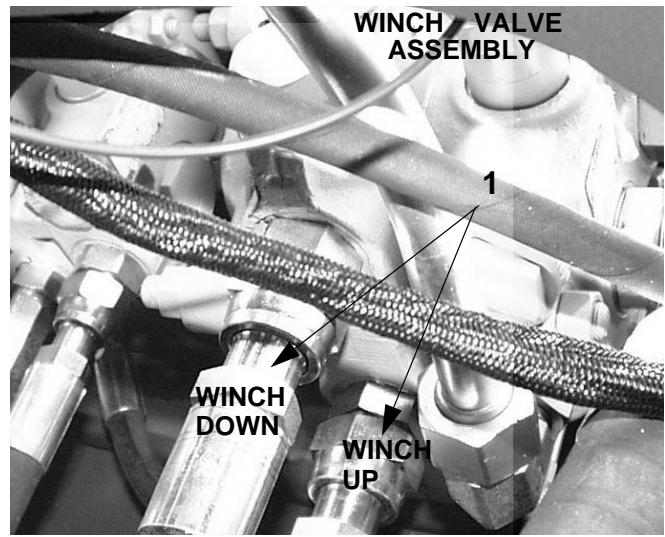
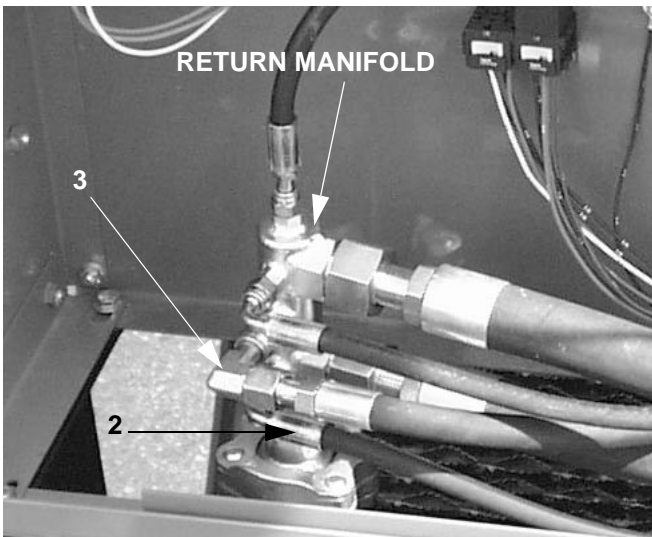
HYDRAULIC PIPING - BOOM HOIST/EXTEND

DATE: Revised 03-2006

MODEL: BT2000 Series

Page 25.5

**GROUP
25**



REF	PART NO.	DESCRIPTION	QTY	REF	PART NO.	DESCRIPTION	QTY
1	502-40719	Hose assembly, Winch Raise/Lower.....	2	5	513-20023	Connector, Straight 1/4 NPT x 4 OFS.....	1
2	502-11045	Hose Assembly, Winch Drain/Return.....	1	6*	517-30010	Plug, Socket Head, 1/4 NPT.....	Ref
3	514-62002	Elbow, 90 Degree, Swivel Nut, 4 OFS.....	1				
4	400-15088	Tie Cable.....	*				

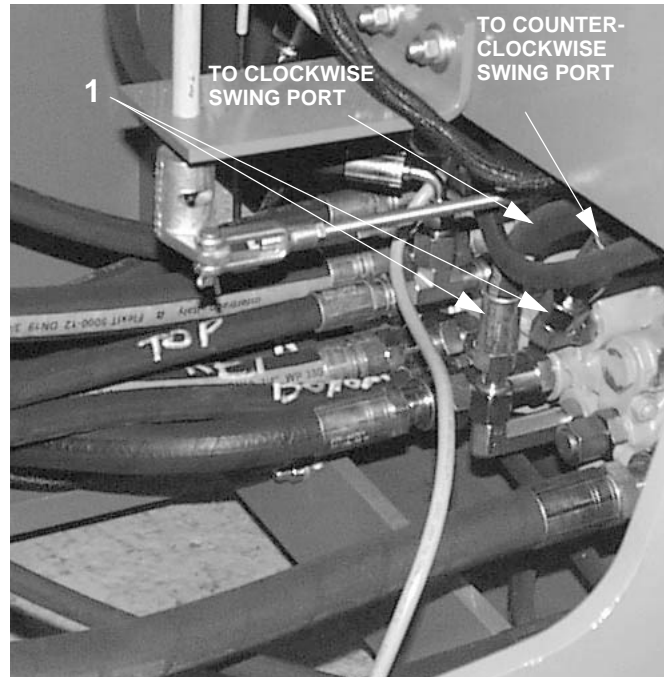
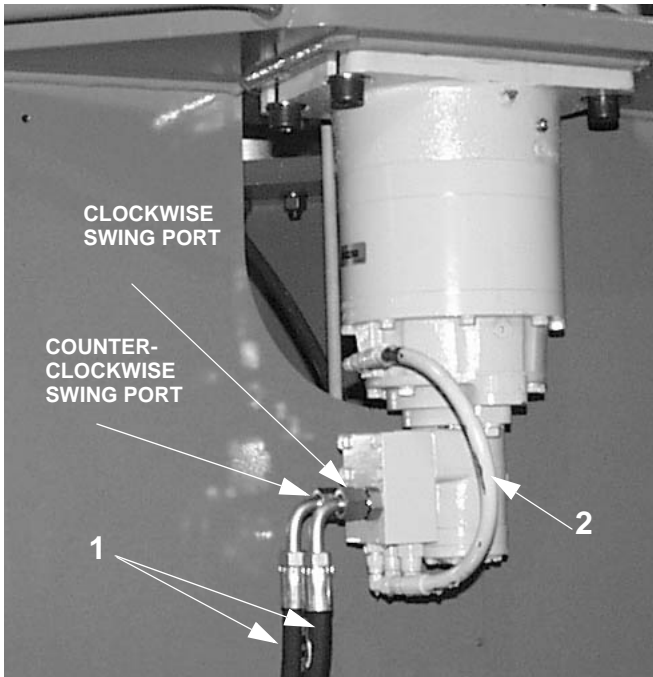
WHEN ORDERING PARTS, SPECIFY MODEL NUMBER, SERIAL NUMBER AND DESCRIPTION OF PARTS REQUIRED



HYDRAULIC PIPING- WINCH

DATE: Revised 03-2006
 MODEL: BT2000 Series
 Page 25.6

GROUP
25



<u>REF</u>	<u>PART NO.</u>	<u>DESCRIPTION</u>	<u>QTY</u>
1	502-30557	Hose assembly, Swing	2

<u>REF</u>	<u>PART NO.</u>	<u>DESCRIPTION</u>	<u>QTY</u>
2	502-10974	Hose Assembly, Brake Release	1

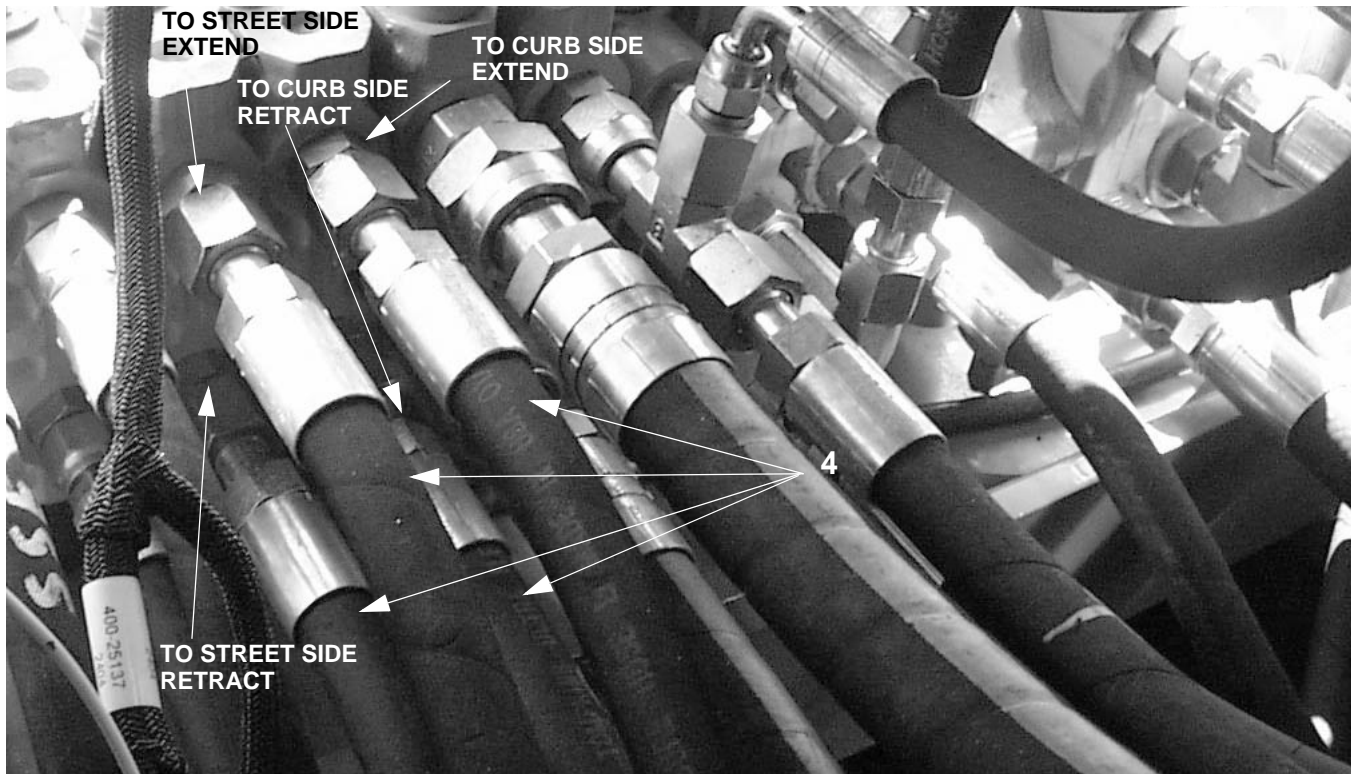
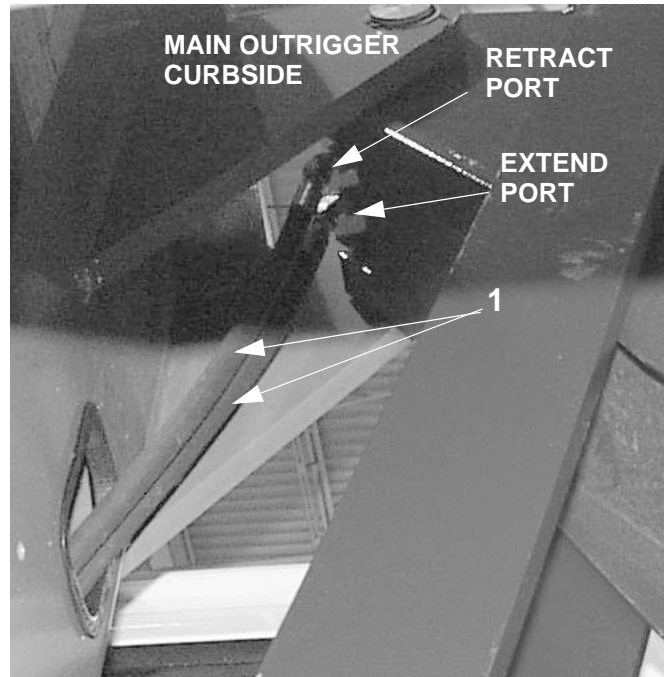
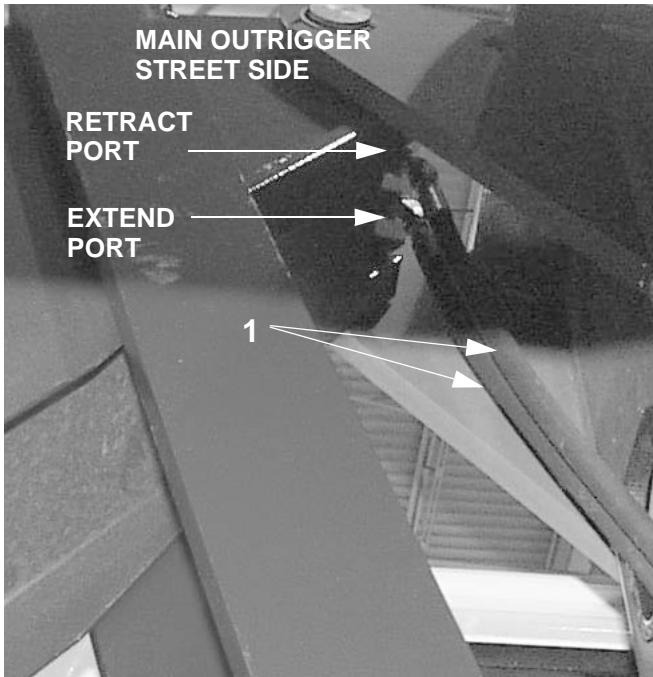
WHEN ORDERING PARTS, SPECIFY MODEL NUMBER, SERIAL NUMBER AND DESCRIPTION OF PARTS REQUIRED



HYDRAULIC PIPING- SWING

DATE: Revised 03-2006
 MODEL: BT2000 Series
 Page 25.7

GROUP
25



REF	PART NO.	DESCRIPTION	QTY
1	502-30534	Hose Assembly Main Outriggers.....	4

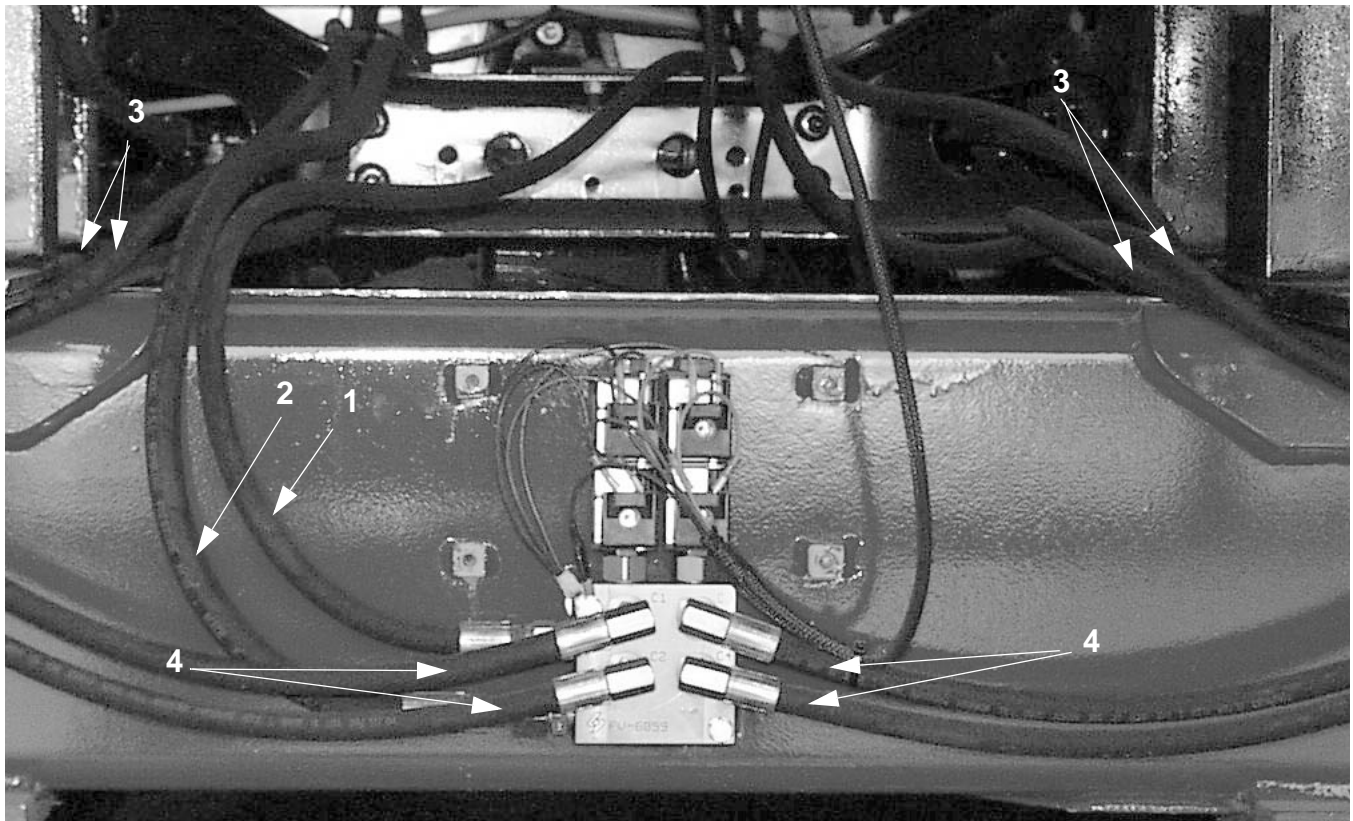
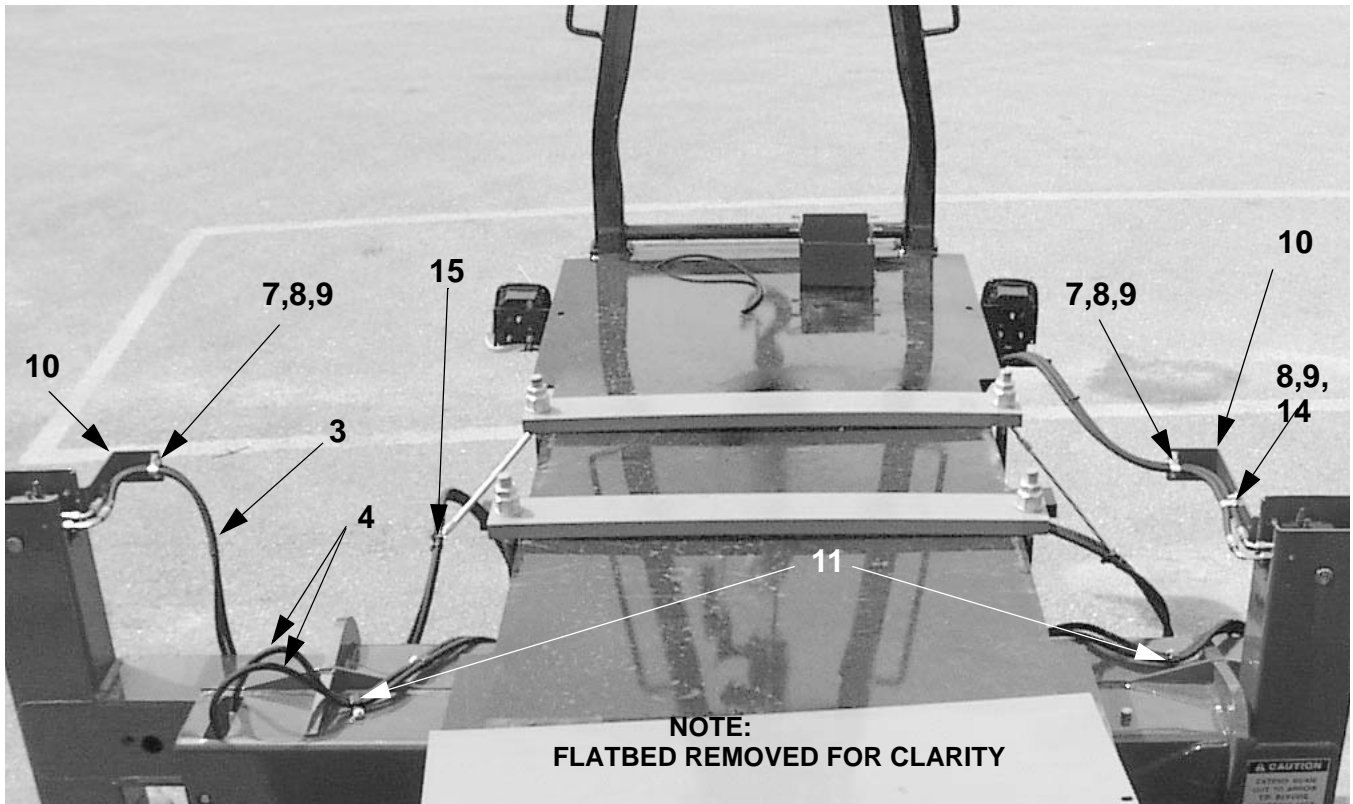
WHEN ORDERING PARTS, SPECIFY MODEL NUMBER, SERIAL NUMBER AND DESCRIPTION OF PARTS REQUIRED



HYDRAULIC PIPING- MAIN OUTRIGGERS

DATE: Revised 03-2006
 MODEL: BT2000 Series
 Page 25.8

GROUP
25



WHEN ORDERING PARTS, SPECIFY MODEL NUMBER, SERIAL NUMBER AND DESCRIPTION OF PARTS REQUIRED



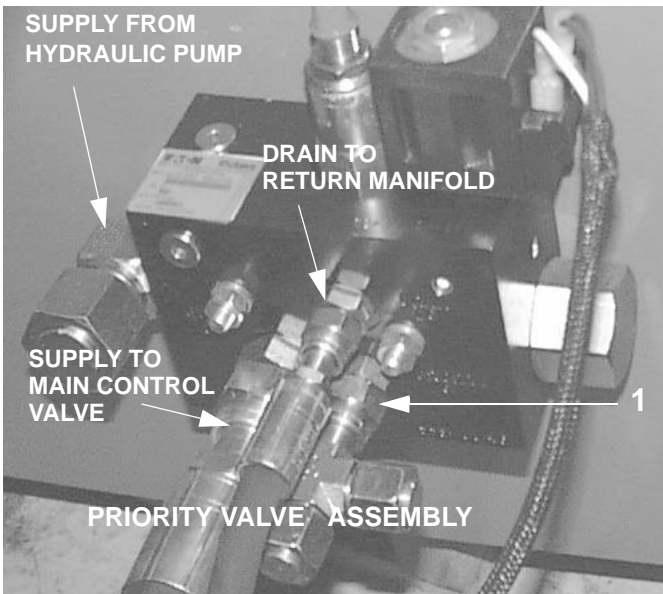
**HYDRAULIC PIPING - H
AUXILIARY OUTRIGGERS**

DATE: Revised 03-2006
 MODEL: BT2000 Series
 Page 25.9

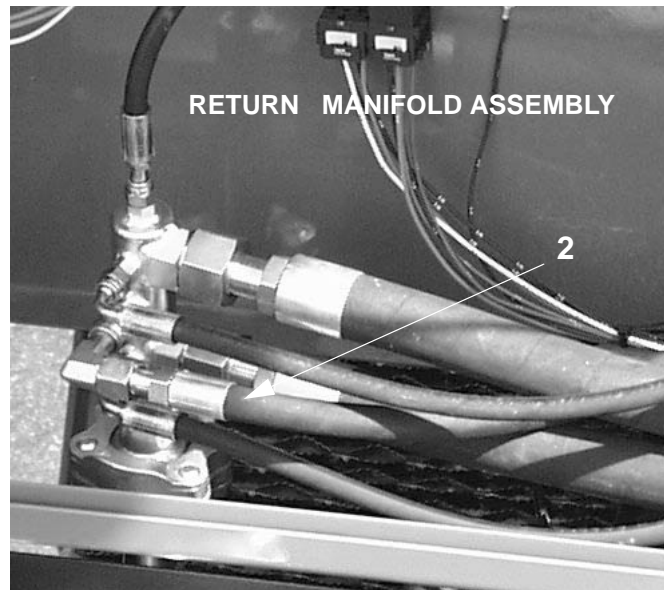
**GROUP
25**



MAIN VALVE ASSEMBLY



PRIORITY VALVE ASSEMBLY



RETURN MANIFOLD ASSEMBLY

<u>REF</u>	<u>PART NO.</u>	<u>DESCRIPTION</u>	<u>QTY</u>	<u>REF</u>	<u>PART NO.</u>	<u>DESCRIPTION</u>	<u>QTY</u>
	503-94003	Kit, Auxiliary Outrigger Hose	1	7	220-01004	Bolt, Hex Head 5/16-18UNC x 3/4" Long...	10
		(Includes Items 1 Through 4)		8	222-11002	Washer, Lock 5/16	14
1	502-20798	Hose assembly, Auxiliary Outrigger Valve, Supply	2	9	221-01001	Nut, Hex Head 5/16-18 UNC	14
2	502-30586	Hose assembly, Auxiliary Outrigger Valve, Return.....	2	10	770-01840	Support Bracket, Hose SS.....	1
3	502-20973	Hose assembly, Vertical Outrigger	2	11	201-00170	Clamp, Double Hose, 5/8.....	2
4	502-20974	Hose assembly, Horizontal Outrigger	2	12*	774-00046	Trolley Track, Hose	2
5*	770-01820	Bracket, Support C/S Hose	1	13*	774-00047	Trolley, Hose.....	2
6	201-00167	Clamp, Double Hose	3	14*	220-01005	Bolt, Hex Head 5/16-18NC x 1" Long	4
				15	400-15088	Cable, Tie 11 15/32.....	15
				16*	220-00004	Bolt, Hex Head 1/4-20 UNC x 1 1/4" Long.	4
				17*	221-90001	Nut, Toplock, 1/4-20 UNC.....	4

*ITEM NOT SHOWN

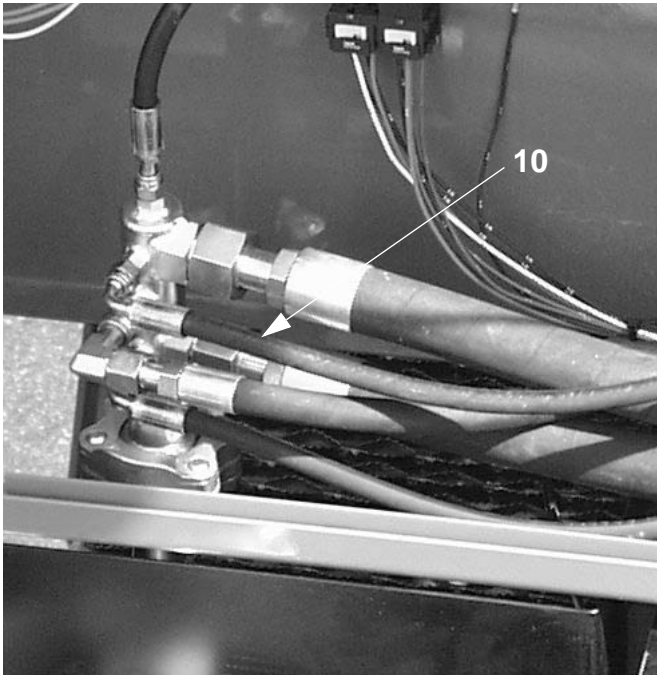
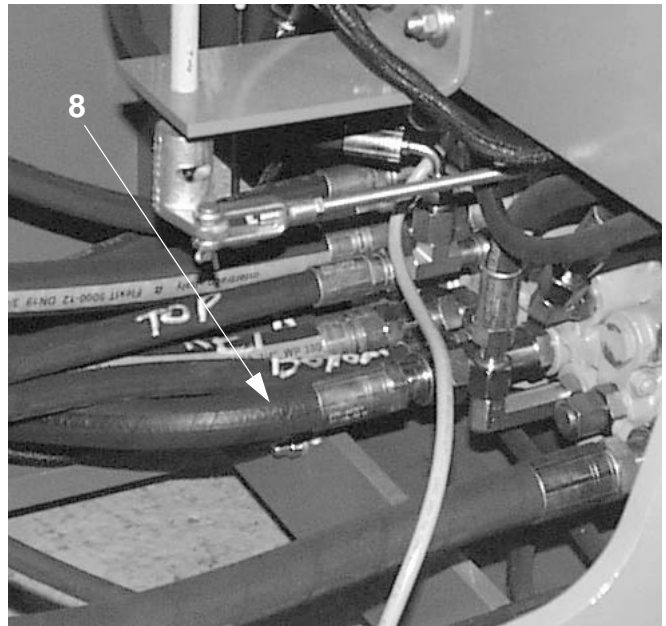
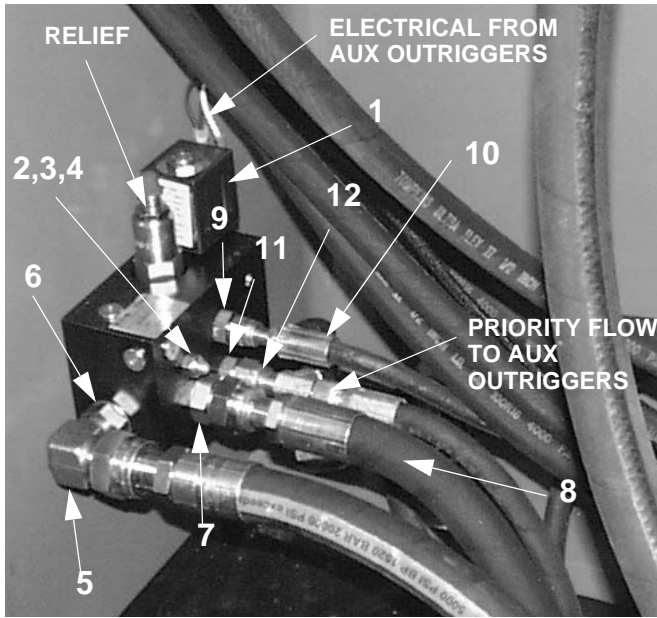
WHEN ORDERING PARTS, SPECIFY MODEL NUMBER, SERIAL NUMBER AND DESCRIPTION OF PARTS REQUIRED



HYDRAULIC PIPING AUXILIARY OUTRIGGERS

DATE: Revised 03-2006
 MODEL: BT2000 Series
 Page 25.10

**GROUP
25**



REF	PART NO.	DESCRIPTION	QTY
1	559-00146	Priority Flow Control Valve.....	1
2	220-01011	Bolt, Hex Head 5/16-18UNC x 3 1/2.....	2
3	222-11002	Washer, Lock 5/16.....	2
4	221-01001	Nut, Hex Head 5/16-18 UNC.....	4
5	514-57011	Elbow, 90 Deg. #12 OFS x # 10 ORB.....	1
6	519-70032	Cap, #12 OFS.....	1
7	513-60008	Connector, #10 OFS x #10 ORB.....	1
8	502-40727	Hose Assembly, Valve Supply.....	A/R
9	513-20019	Connector, #4 OFS x #6 ORB.....	1
10	502-11000	Hose Assembly, Drain-Priority Valve.....	A/R
11	513-40014	Connector, #6 OFS x #6 ORB.....	1
12	519-40007	Cap, #6 OFS.....	1
13*	400-15086	Cable Tie.....	2

*ITEM NOT SEEN

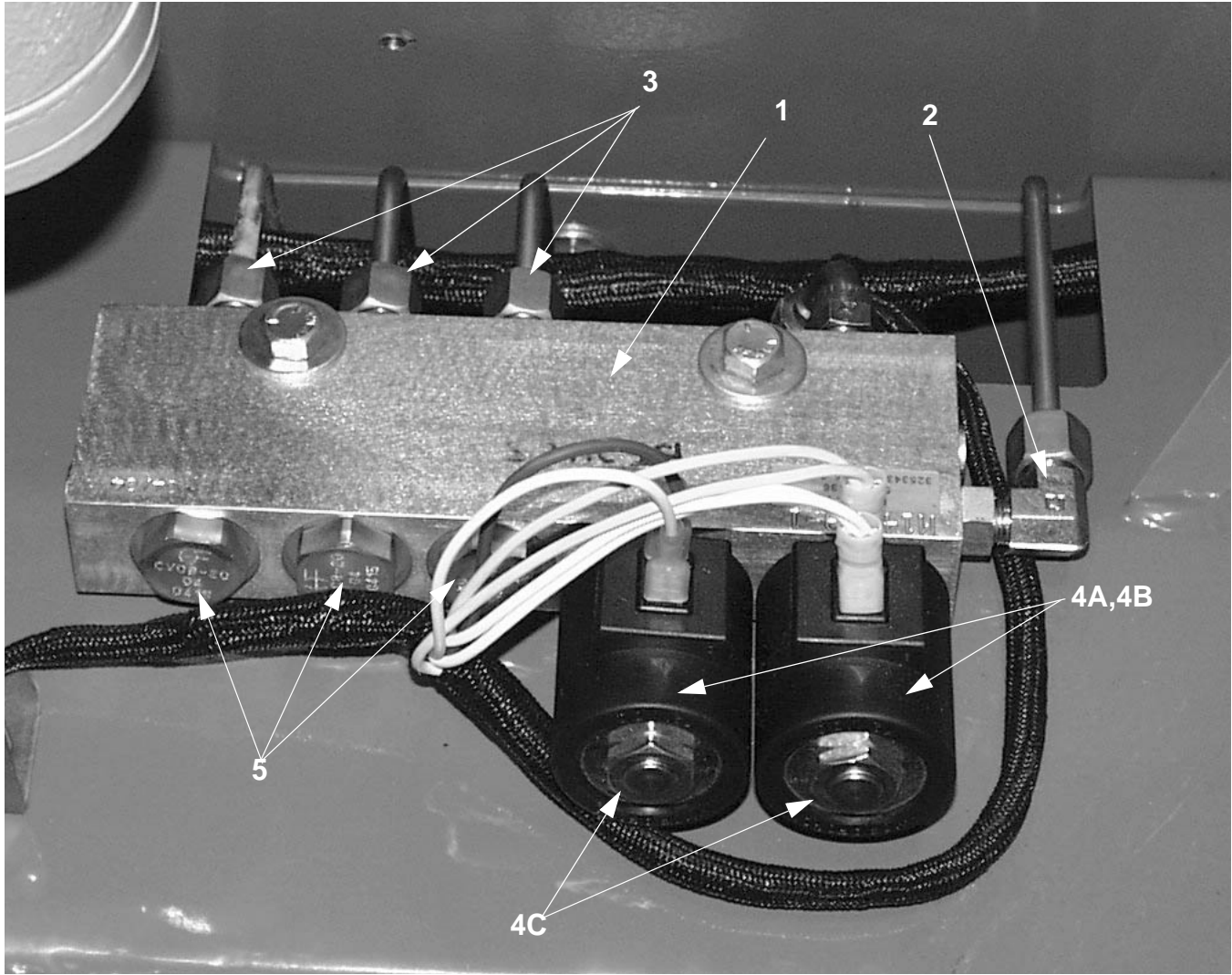
WHEN ORDERING PARTS, SPECIFY MODEL NUMBER, SERIAL NUMBER AND DESCRIPTION OF PARTS REQUIRED



HYDRAULIC PIPING PRIORITY VALVE

DATE: Revised 03-2006
 MODEL: BT2000 Series
 Page 25.11

GROUP
25



Unloader Valve Assembly

REF	PART NO.	DESCRIPTION	QTY	REF	PART NO.	DESCRIPTION	QTY
1*	551-10136	Valve, Unloader.....	1	4A	394-00001	Solenoid Only Service.....	2
2	514-52003	Elbow, 90 Deg., 4 OFS x 4 ORB.....	1	4B	394-00002	Solenoid Coil, Service.....	2
3	513-20017	Connector, 4 OFS x 4 ORB.....	3	4C	394-00003	Solenoid Coil, Nut.....	2
				5	394-00004	Check Valve, Service.....	3

WHEN ORDERING PARTS, SPECIFY MODEL NUMBER, SERIAL NUMBER AND DESCRIPTION OF PARTS REQUIRED



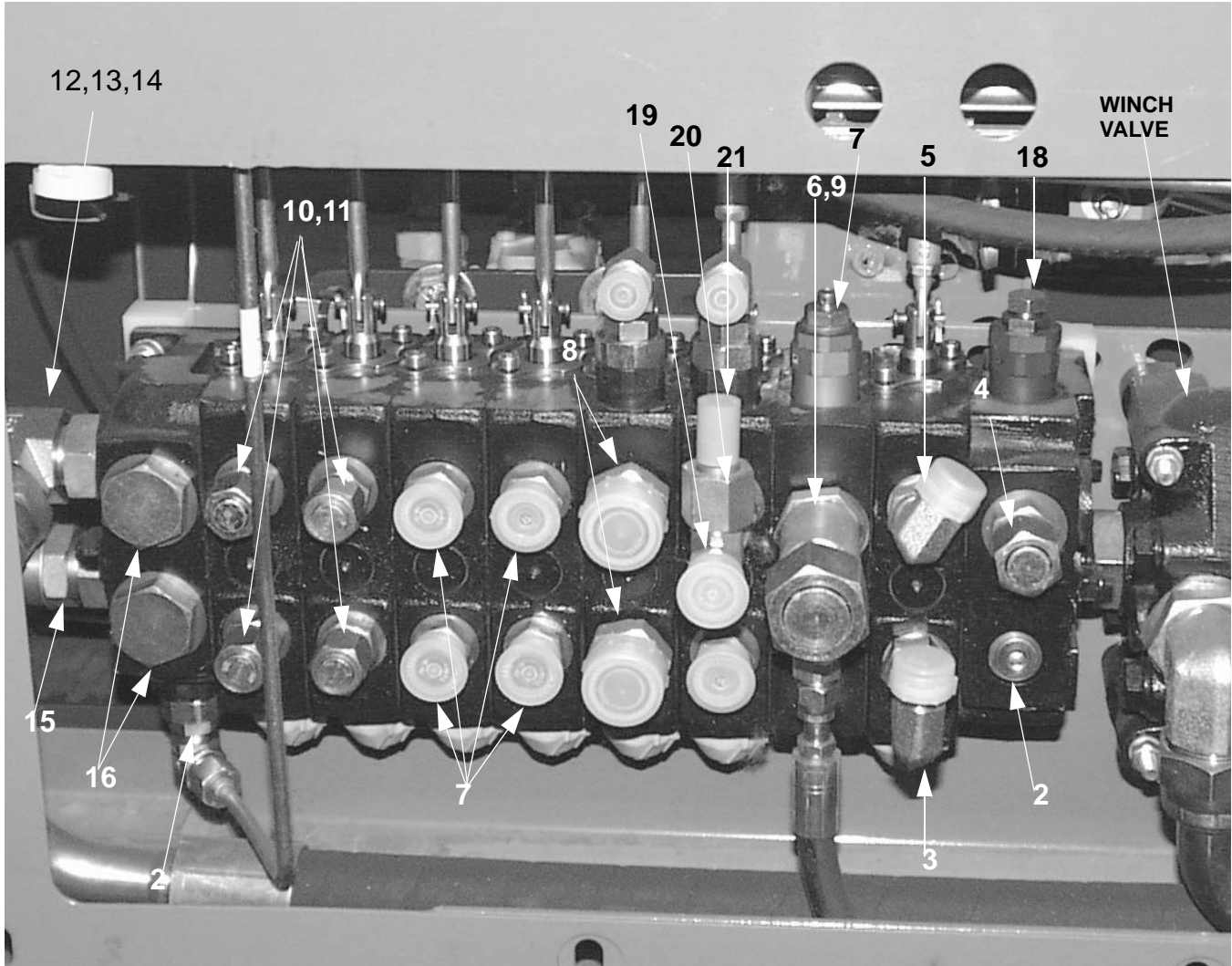
UNLOADER VALVE ASSEMBLY

DATE: Revised 03-2006

MODEL: BT2000 Series

Page 25.12

**GROUP
25**



Main Valve Assembly-Salami

REF	PART NO	DESCRIPTION	QTY	REF	PART NO	DESCRIPTION	QTY
1	REF	Valve, Triple Assembly.....	1	11	513-40018	Connector, 6 OFS x 8 ORB	4
2	514-52005	Elbow, 4 OFS x 4 ORB.....	5	12	517-00014	Union, 12OFS	1
3	514-55015	Elbow, 90 Deg. 8 OFS x 8 ORB.....	1	13	552-00016	Valve, Check Spool.....	1
4	513-50027	Connector, 8 OFS x 10 ORB.....	1	14	514-57010	Elbow, 90 12 OFS x 12 ORB	1
5	514-55011	Elbow, 90 - 8 OFS x 8 ORB	1	15	514-59024	Elbow, 90 16 OFS x 12 ORB	1
6	513-70038	Connector, 12 OFS x 10 ORB.....	1	16	517-30004	Plug, 12 ORB.....	1
7	513-50023	Connector, 8 OFS x 8 ORB.....	6	17	943-00032	Boom Extend/Retract Adjuster.....	1
8	513-70030	Connector, 12 OFS x 8 ORB.....	1	18	943-00035	Swing Adjuster.....	1
9	519-70032	Cap, #12 OFS	1	19	516-85004	Tee Connector	1
10	519-40007	Cap #6 OFS	4	20	519-50012	Reducer	1
				21	511-50004	Nut, Hex Head	1

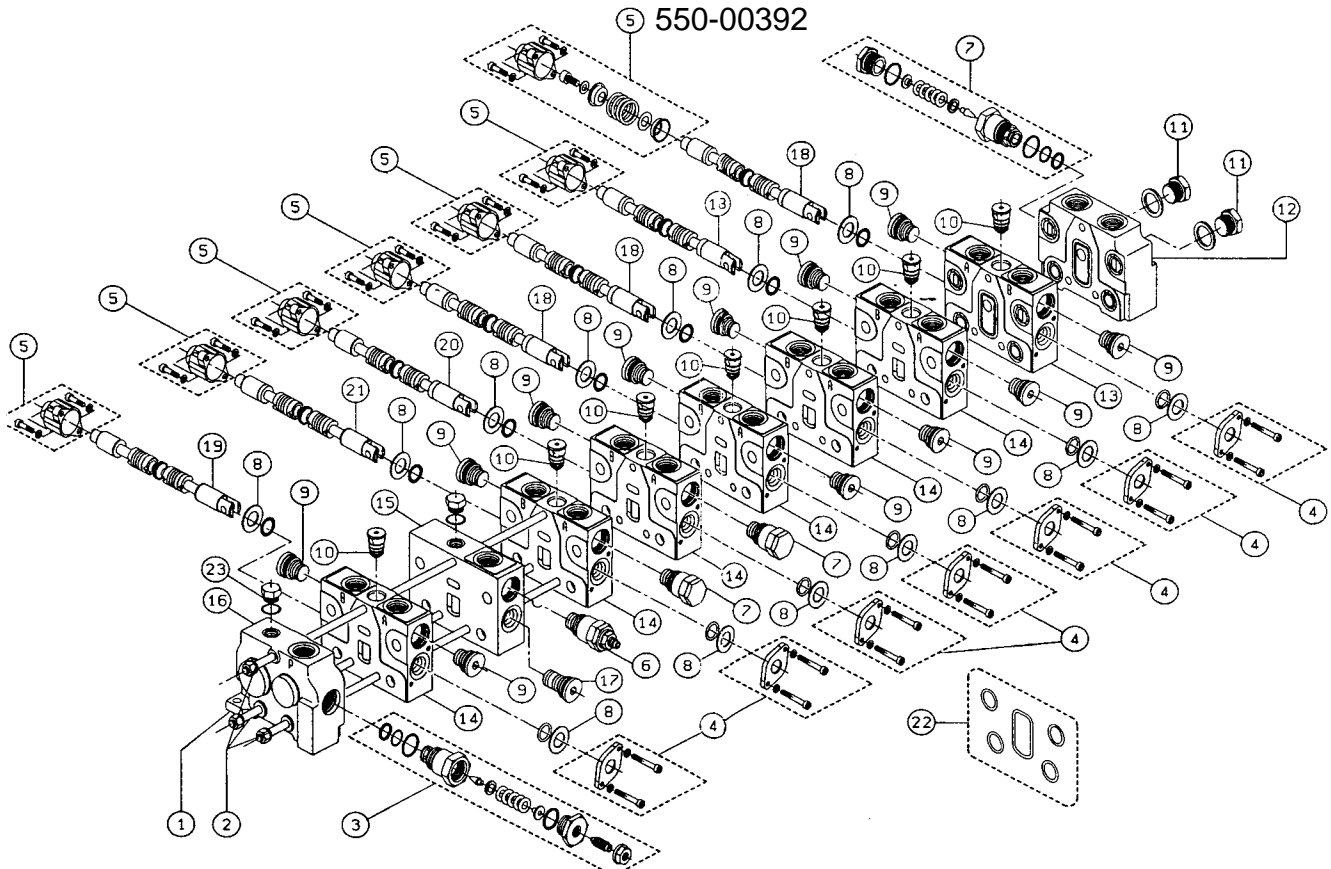
WHEN ORDERING PARTS, SPECIFY MODEL NUMBER, SERIAL NUMBER AND DESCRIPTION OF PARTS REQUIRED



**MAIN VALVE ASSEMBLY
(SALAMI)**

DATE: Revised 03-2006
 MODEL: BT2000 Series
 Page 25.13

**GROUP
25**



Exploded View Main Valve Assembly-Salami

<u>REF</u>	<u>PART NO</u>	<u>DESCRIPTION</u>	<u>QTY</u>	<u>REF</u>	<u>PART NO</u>	<u>DESCRIPTION</u>	<u>QTY</u>
*	550-00392	Valve, Main Control Assembly	1	13	943-00025	Tandem Section with Secondary Relief Valve Port.....	1
1	943-00037	Inlet Section	1	14	943-00024	Parallel Section with Secondary Relief Valve Port.....	6
2	943-00036	Assembling.....	1	15	943-00023	Split Flow Mid Inlet Section.....	1
3	943-00035	Relief Valve, Swing	1	16	943-00022	Plug.....	1
4	943-00034	SL Without Lever.....	7	17	943-00021	Plug.....	1
5	943-00033	Spool Spring Return	7	18	943-00020	Double Acting Spool	4
6	943-00032	Main Relief Valve	1	19	943-00019	Double Acting Motor Spool	1
7	943-00031	Venting Valve EHU.....	3	20	943-00018	Double Acting Motor Spool B Port	1
8	943-00030	O-Ring Kit.....	7	21	943-00017	Double Acting Motor Spool A Port	1
9	943-00029	Prearrangement Auxiliary Valves	12	22	943-00016	O-Ring Kit	9
10	943-00028	Load Check Valve	7	23	943-00015	Plug.....	2
11	943-00027	Plug	2				
12	943-00026	Outlet Section.....	1				

WHEN ORDERING PARTS, SPECIFY MODEL NUMBER, SERIAL NUMBER AND DESCRIPTION OF PARTS REQUIRED



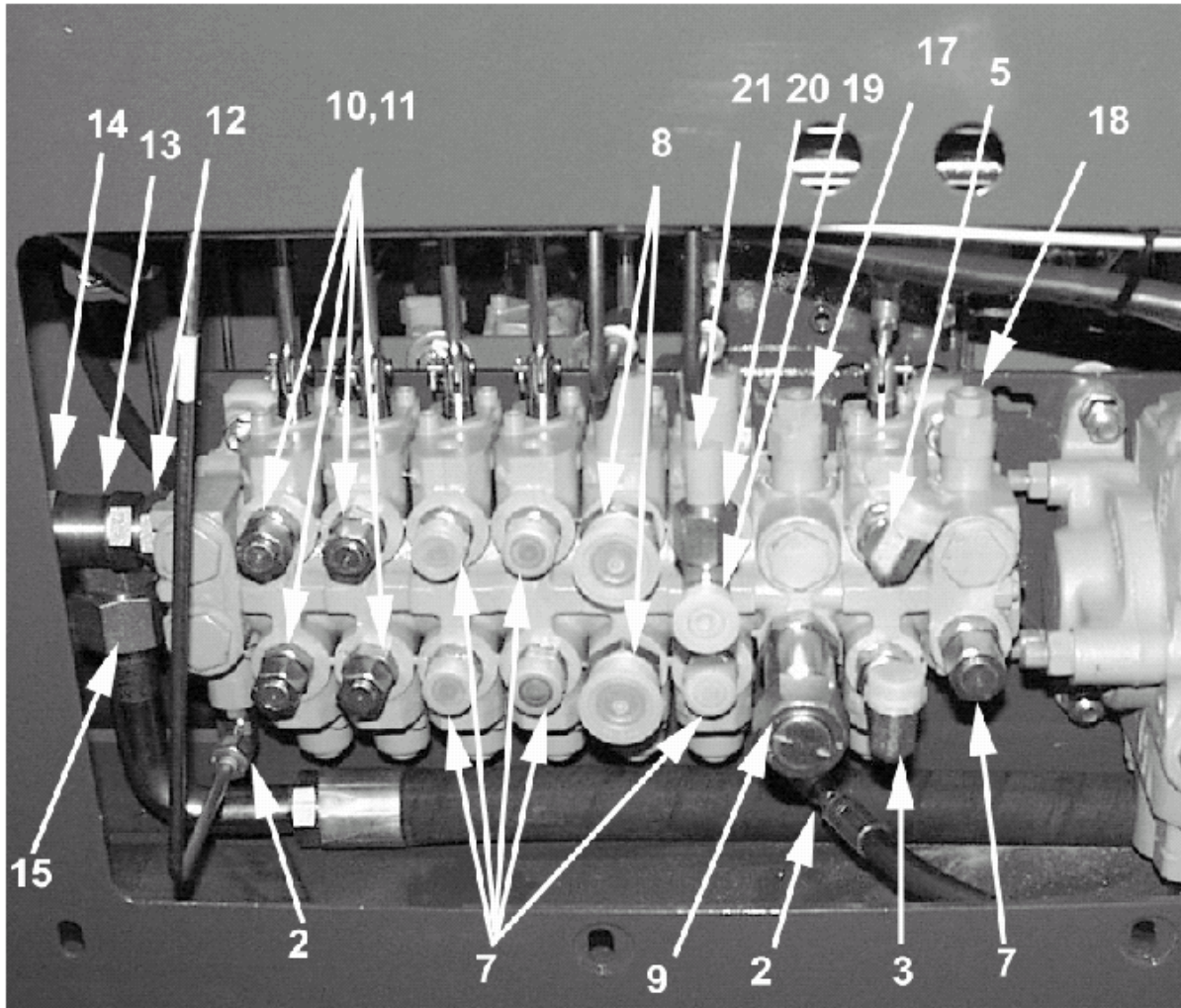
**MAIN VALVE ASSEMBLY
(SALAMI)**

DATE: Revised 03-2006

MODEL: BT2000 Series

Page 25.14

**GROUP
25**



Main Valve Assembly-Husco

REF	PART NO	DESCRIPTION	QTY	REF	PART NO	DESCRIPTION	QTY
1	550-00392	Valve, Triple Assembly.....	1	11	513-40018	Connector, 6 OFS x 8 ORB	4
2	514-52005	Elbow, 4 OFS x 4 ORB.....	5	12	517-00014	Union, 12OFS	1
3	514-55015	Elbow, 90 Deg. 8 OFS x 8 ORB.....	1	13	552-00016	Valve, Check Spool.....	1
4	513-50027	Connector, 8 OFS x 10 ORB.....	1	14	514-57010	Elbow, 90 12 OFS x 12 ORB	1
5	514-55011	Elbow, 90 - 8 OFS x 8 ORB.....	1	15	514-59024	Elbow, 90 16 OFS x 12 ORB	1
6	513-70038	Connector, 12 OFS x 10 ORB.....	1	16	517-30004	Plug, 12 ORB.....	1
7	513-50023	Connector, 8 OFS x 8 ORB.....	6	17	943-00032	Boom Extend/Retract Adjuster.....	1
8	513-70030	Connector, 12 OFS x 8 ORB.....	1	18	943-00035	Swing Adjuster.....	1
9	519-70032	Cap, #12 OFS	1	19	516-85004	Tee Connector	1
10	519-40007	Cap #6 OFS	4	20	519-50012	Reducer	1
				21	511-50004	Nut, Hex Head	1

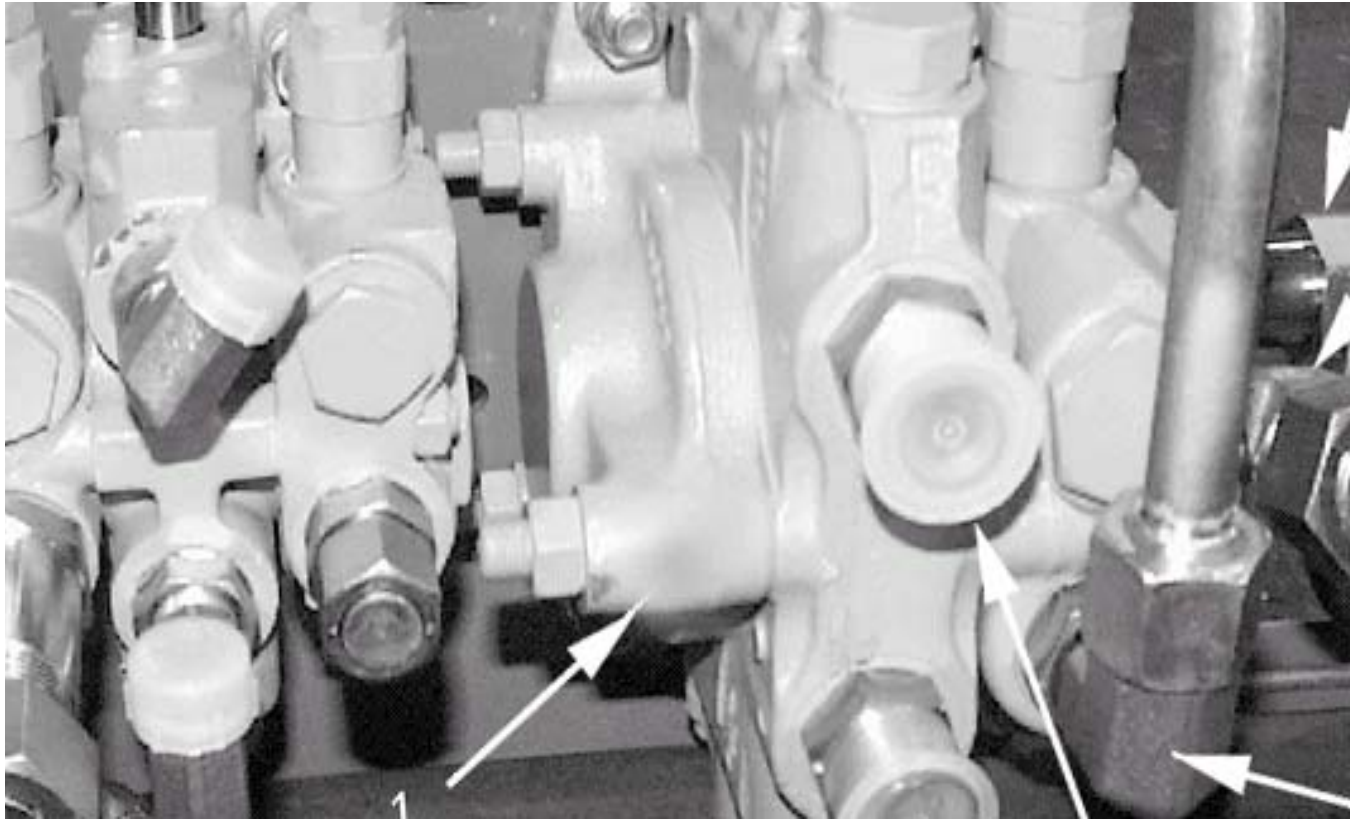
WHEN ORDERING PARTS, SPECIFY MODEL NUMBER, SERIAL NUMBER AND DESCRIPTION OF PARTS REQUIRED



**MAIN VALVE ASSEMBLY
(HUSCO)**

DATE: Revised 03-2006
 MODEL: BT2000 Series
 Page 25.15

**GROUP
25**



Winch Valve Assembly-Husco

<u>REF</u>	<u>PART NO.</u>	<u>DESCRIPTION</u>	<u>QTY</u>	<u>REF</u>	<u>PART NO.</u>	<u>DESCRIPTION</u>	<u>QTY</u>
1	550-00393	Valve Assembly, Winch 57 Gal.	1	4*	514-52005	Connector, 90 Deg. Elbow #4OFS x #6ORB	5
2*	514-52003	Connector, 90 Deg. Elbow	2	5	541-59021	Connector, 90 Deg. Elbow	1
3	514-57010	Connector, 90 Deg. Elbow #12OFS x #12ORB	1	6	513-70025	Connector, Straight	1

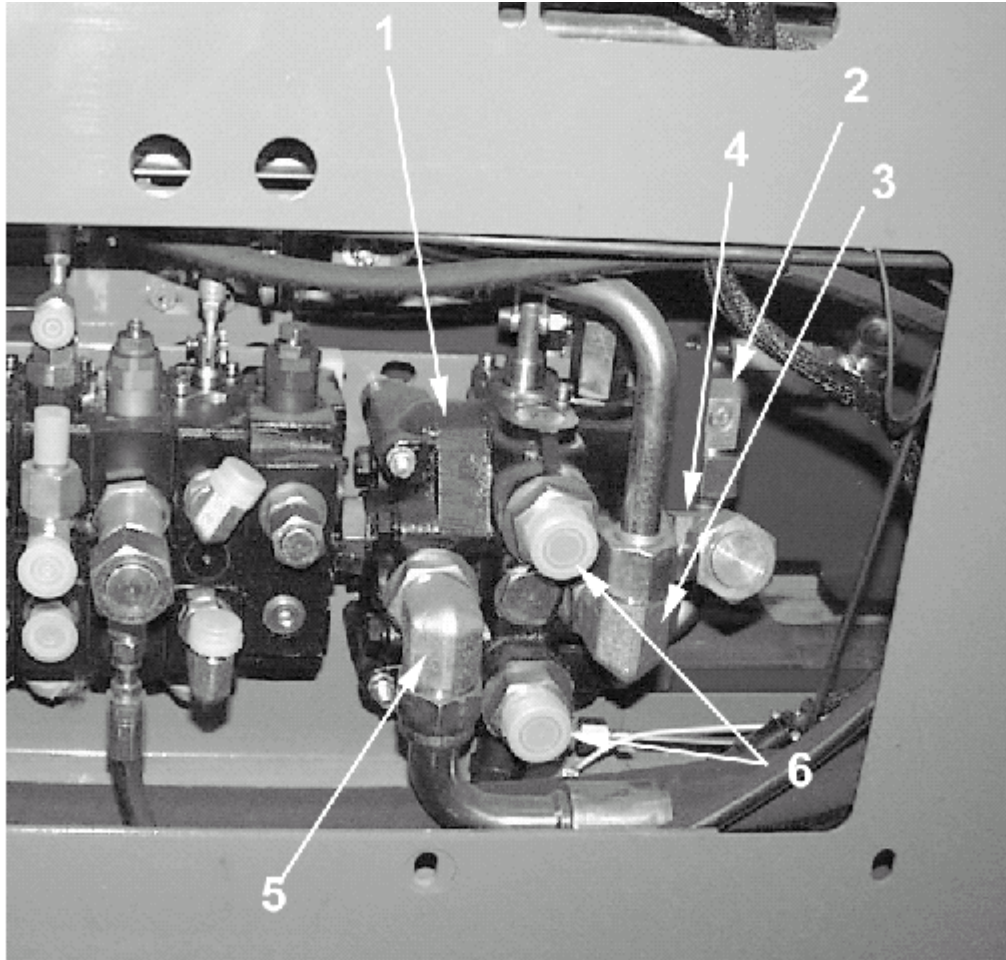
WHEN ORDERING PARTS, SPECIFY MODEL NUMBER, SERIAL NUMBER AND DESCRIPTION OF PARTS REQUIRED



**WINCH VALVE
ASSEMBLY-HUSCO**

DATE: Revised 03-2006
 MODEL: BT2000 Series
 Page 25.16

**GROUP
25**



Winch Valve Assembly-Salami

<u>REF</u>	<u>PART NO.</u>	<u>DESCRIPTION</u>	<u>QTY</u>	<u>REF</u>	<u>PART NO.</u>	<u>DESCRIPTION</u>	<u>QTY</u>
1	550-00393	Valve Assembly, Winch, 57 Gal.	1	4	514-52005	Elbow, 90 Deg. #4-6	1
2	514-52003	Elbow, 90 Deg. #4	1	5	514-59021	Elbow, 90 Deg. #16.....	1
3	514-57010	Elbow, 90 Deg. #12.....	1	6	513-70026	Connector, Straight, #12.....	1

WHEN ORDERING PARTS, SPECIFY MODEL NUMBER, SERIAL NUMBER AND DESCRIPTION OF PARTS REQUIRED

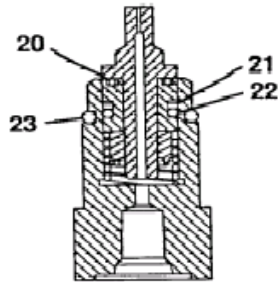


**WINCH VALVE
ASSEMBLY-SALAMI**

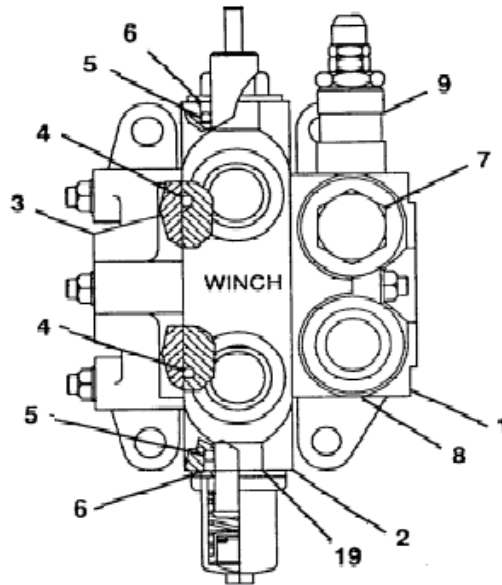
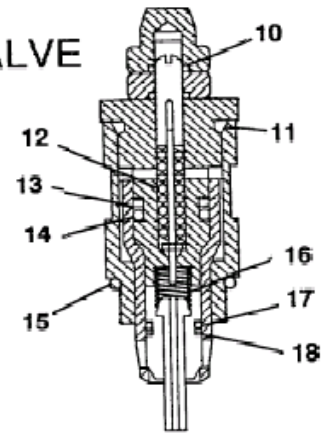
DATE: Revised 03-2006
 MODEL: BT2000 Series
 Page 25.17

**GROUP
25**

ANTI-VOID VALVE



RELIEF VALVE



Winch Valve (Salami)

REF	PART NO.	DESCRIPTION	QTY	REF	PART NO.	DESCRIPTION	QTY
1	940-00000	Inlet section	1	269-00095	Seal Kit, Relief valve	1	
2	940-00001	Spool Section	1		(Includes Items 10 Through 18)		
3	940-00002	Outlet Section	1	10	N/A	O-Ring, Adjusting Cap & Nut	2
	269-00094	Seal Kit, Control Valve	1	11	N/A	O-Ring, Pilot Section	1
		(Includes Items 4 Through 8)		12	N/A	Spring, Pilot	1
4	N/A	O-Ring, Section	1	13	N/A	Back-up Ring, Pilot	1
5	N/A	O-Ring, Spool	1	14	N/A	O-Ring, Pilot	1
6	N/A	Wiper, Spool	2	15	N/A	O-Ring, Housing	1
7	N/A	O-Ring, Plug	1	16	N/A	Spring, Piston	1
8	N/A	O-Ring, Gauge Port	1	17	N/A	O-Ring, Main Poppet	1
9	940-00003	Cartridge, Relief Valve	1	18	N/A	Back-Up ring, Main Poppet	1
				19	940-00004	Cartridge, Anti-Void	1
						(Includes Items 20 Through 23)	
				20	N/A	O-Ring	1
				21	N/A	Ring, Back-Up	1
				22	N/A	O-ring	1
				23	N/A	O-Ring	1

WHEN ORDERING PARTS, SPECIFY MODEL NUMBER, SERIAL NUMBER AND DESCRIPTION OF PARTS REQUIRED



WINCH VALVE (SALAMI)

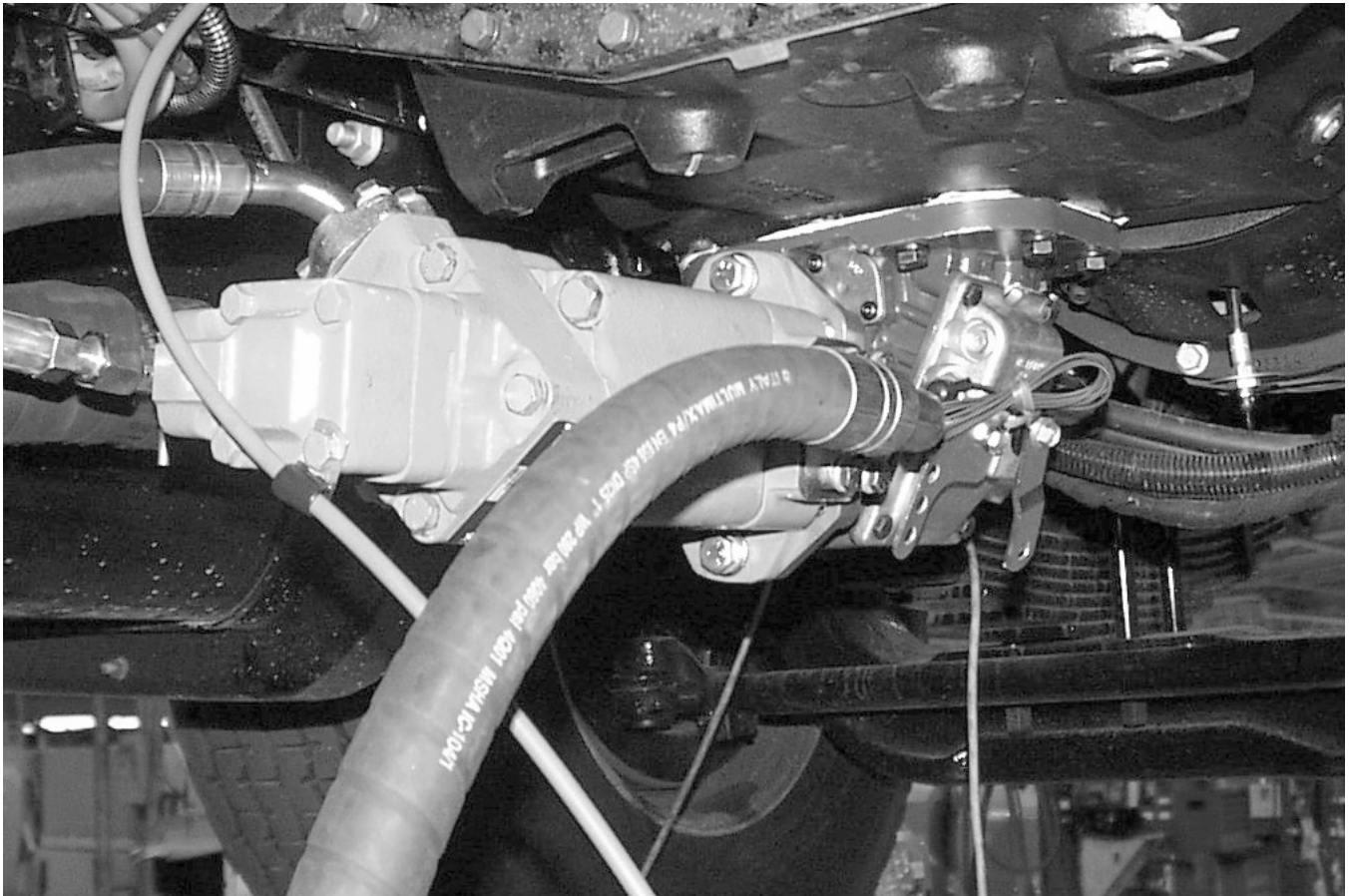
DATE: Revised 03-2006

MODEL: BT2000 Series

Page 25.18

GROUP
25

24 PUMP DRIVE CASE



Hydraulic Pump

NOTE: Pump and Mounting Configuration vary with Truck Chassis Manufacturer

<u>REF</u>	<u>PART NO.</u>	<u>DESCRIPTION</u>	<u>QTY</u>
1	521-00082	Hydraulic Pump Assembly	1

WHEN ORDERING PARTS, SPECIFY MODEL NUMBER, SERIAL NUMBER AND DESCRIPTION OF PARTS REQUIRED

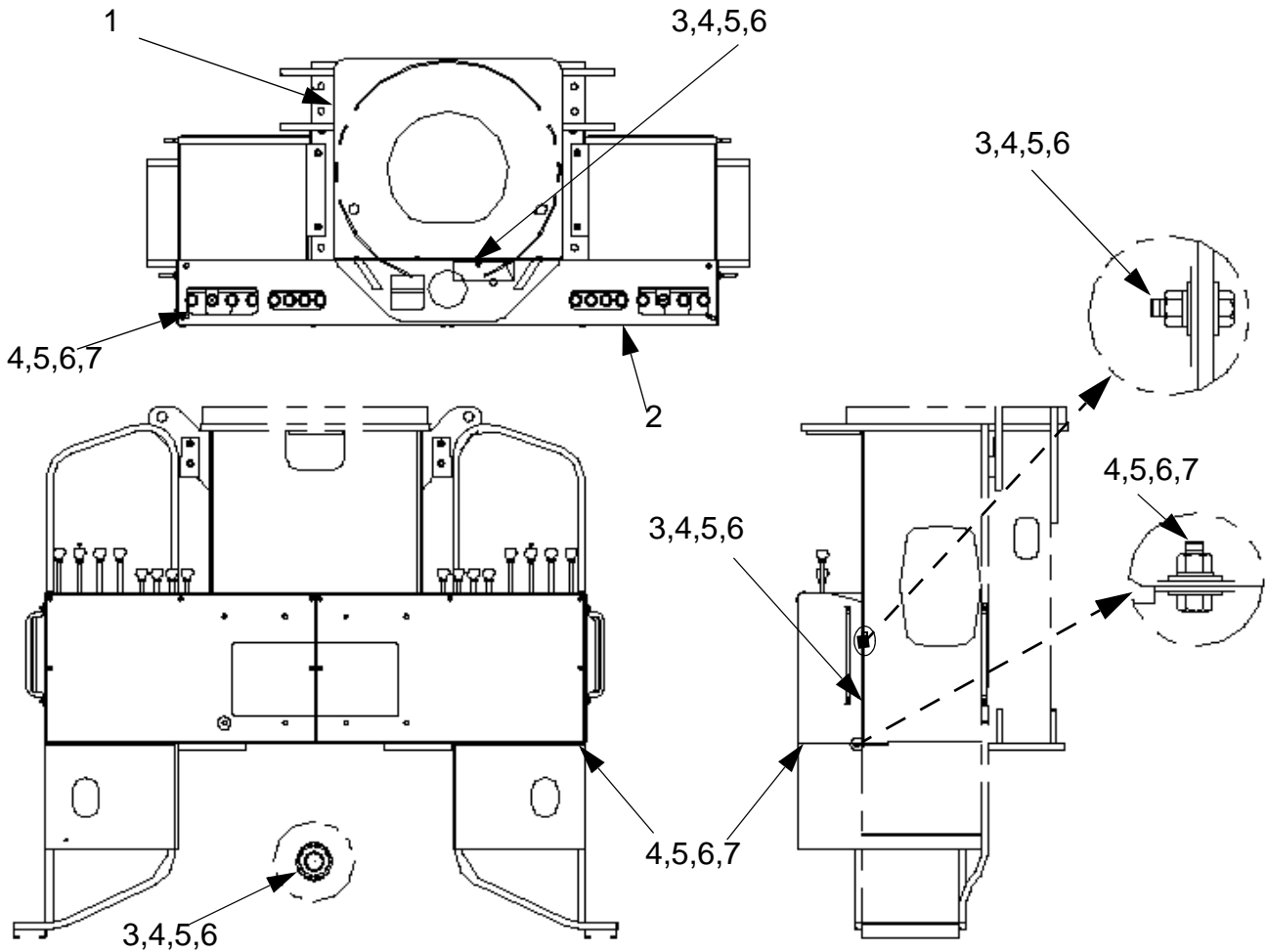


**TRIPLE VANE
HYDRAULIC PUMP**

DATE: Revised 03-2006
 MODEL: BT2000 Series
 Page 24.1

**GROUP
24**

28 OPERATOR CONTROLS



Control Console Installation

REF	PART NO.	DESCRIPTION	QTY	REF	PART NO.	DESCRIPTION	QTY
1		Pedestal Weldment	Ref	4	222-02005	Washer, Flat, 3/8 PLTD	24
2*	800-50054	Console Assembly	1	5	222-12001	Washer, Lock 3/8 PLTD	12
3	220-02002	Bolt, Hex Head 3/8 UNC x 1 1/4" Long	8	6	221-02001	Nut, Hex Head 3/8 UNC, PLTD	12
				7	220-02004	Bolt, Hex Head, 3/8 UNC x 1" Long PLTD.	4

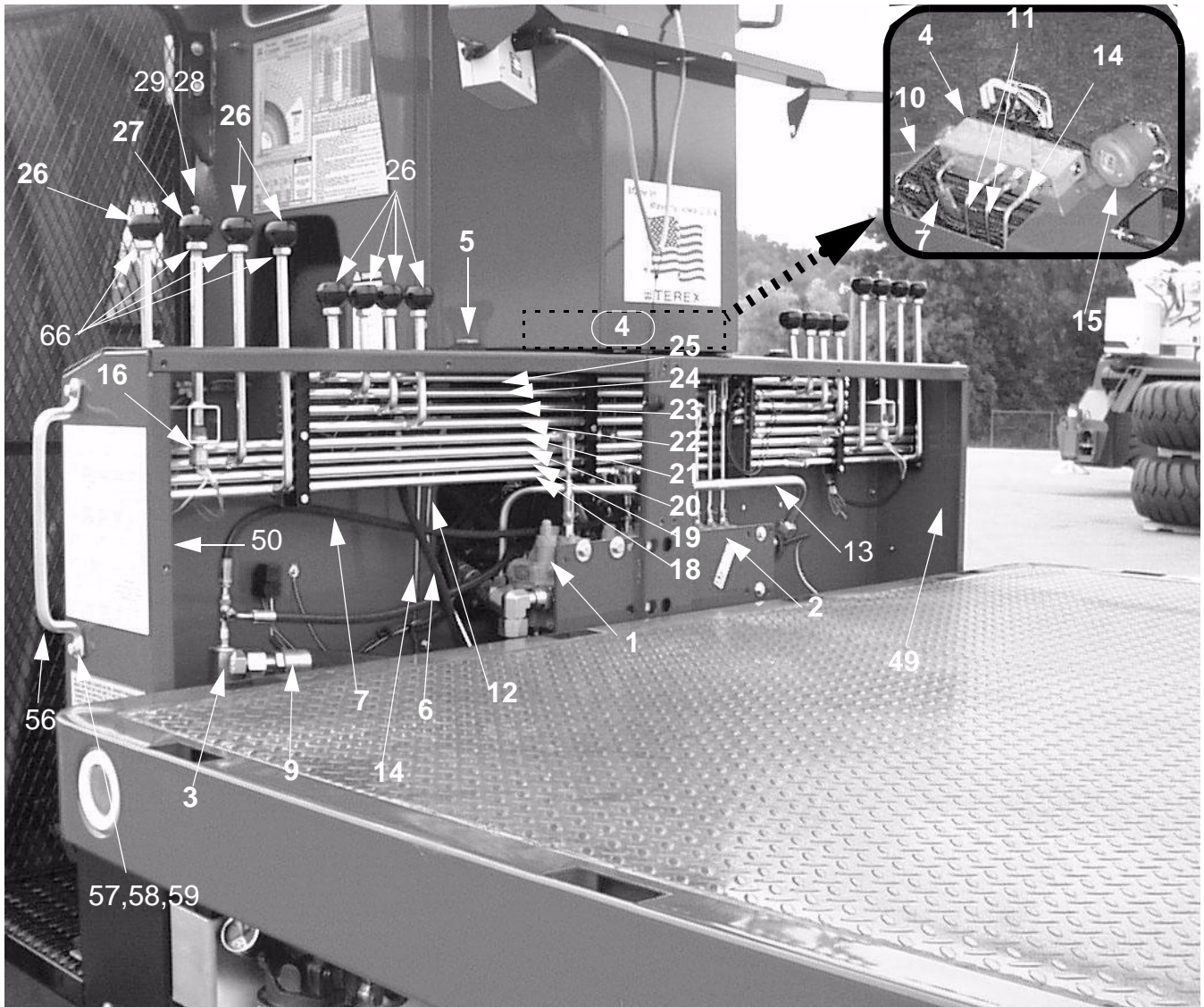
WHEN ORDERING PARTS, SPECIFY MODEL NUMBER, SERIAL NUMBER AND DESCRIPTION OF PARTS REQUIRED



CONTROL CONSOLE INSTALLATION

DATE: Revised 03-2006
 MODEL: BT2000 Series
 Page 28.1

GROUP
28



Control Console Assembly

REF	PART NO.	DESCRIPTION	QTY	REF	PART NO.	DESCRIPTION	QTY
1	500-01394	Valve Assembly, winch.....	1	15	400-05334	Horn, ATB, ECA.....	1
2	550-00401	Valve Assembly, Main (Salami).....	1	16	400-04125	Switch, Momentary	4
	OR 550-00314	Valve Assembly, Main (Husco)	1	17	400-04123	Switch, Start/Stop	2
3	519-90051	Manifold Return	1	18	804-00806	Control Handle, Swing	1
4	500-01397	Valve Assembly, Unload	1	19	804-00805	Control Handle, Boom Hoist	1
5	500-01398	Gauge Assembly, Press.....	1	20	804-00807	Control Handle, Telescope	1
6	502-10973	Hose Assembly, Shuttle Valve	1	21	804-00829	Control Handle, Winch	1
7	502-10999	Hose Assembly, Unload Valve Return	1	22	804-00811	Control Handle, C.S. OR.....	1
8	502-50313	Hose Assembly, Valve Return.....	1	23	804-00812	Control Handle, S.S. O/R.....	1
9	502-50314	Hose Assembly, Valve Return.....	1	24	804-00809	Control Handle, C.S. Aux. O/R	1
10	510-20371	Tube Assembly, Unload Valve Supply	1	25	804-00810	Control Handle, S.S. Aux. O/R.....	1
11	510-20372	Tube Assembly, Telescope Unload.....	1	26	808-00048	Knob, Control, (Black).....	14
		Tube assembly, telescope Vent	1	27	808-00049	Knob, Control, Winch, (Black).....	2
12	510-20370	Tube Assembly, Shuttle Supply	1	28	809-00385	Rod, 2 Speed Winch	2
13	510-70773	Tube Assembly, Power Beyond	1	29	222-40007	Retainer, Rod.....	2
14	510-20373	Tube Assembly, Winch Unload	1	30	709-01119	Block, Bearing.....	12

WHEN ORDERING PARTS, SPECIFY MODEL NUMBER, SERIAL NUMBER AND DESCRIPTION OF PARTS REQUIRED



CONTROL CONSOLE ASSEMBLY

DATE: Revised 03-2006

MODEL: BT2000 Series

Page 28.2

**GROUP
28**



Control Console

REF	PART NO.	DESCRIPTION	QTY	REF	PART NO.	DESCRIPTION	QTY
31	783-02785	Bar, Valve Spacer	2	48**	802-01390	Cover, Console Front.....	2
32	806-00243	Control Link Assembly, Winch.....	1	49	802-01489	Cover, Console End, C.S.....	1
33*	806-00235	Control Link Assembly, Swing.....	1	50	802-01490	Cover, Console End, S.S.....	1
34	806-00236	Control Link Assembly, Boom	1	51***	209-00791	Hole, Plug, 1/2 Dia Push-In.....	2
35	806-00237	Control Link Assembly, Telescope.....	1	52	222-00006	Flat washer, 1/4 PLTD	18
36	806-00238	Control link assembly, C.S. O/R.....	1	53	221-90001	Nut, Hex LK, 1/4-20UNC PLTD	18
37	806-00239	Control Assembly, S.S. O/R	1	54	220-00007	Bolt, Hex Head, 1/4-20UNC x 2PL.....	18
38	806-00240	Control Link Assembly, C.S. STB.....	1	55	400-15086	Cable Tie, Nylon	5
39	806-00241	Control Link Assembly, S.S. STB.....	1	56	209-00444	Handle, C/H #2399D.....	2
40	870-00129	Pin, Clevis 5/16 Dia.	9	57	220-02004	Bolt, Hex Head 3/8UNC x 1 GR5 PL	4
41	870-00044	Pin, Clevis 3/16 Dia.	7	58	222-12001	Washer, Lock, 3/8 PLTD.....	10
42	224-02001	Pin, Cotter 1/8 x 3/4.....	9	59	221-02001	Nut, 3/8-16UNC PLTD	6
43	224-01001	Pin, Cotter 3/32 x 1/2.....	7	60	220-02005	Bolt Hex Head 3/8-16UN x 2 1/2 GR5	4
44	400-25153	Harness Assembly, Crane Console	1	61	220-02011	Bolt Hex Head, 3/8-16UNC x 2 GR5.....	2
45	400-25137	Harness Assembly, Control, Aux. O/R	1	62	220-04048	Bolt, Hex Head, 1/2-13UN x 2 GR5	4
46	400-24062	Sub-Assembly, O/R Alarm Switches.....	1	63	222-14001	Washer, Lock 1/2 PLTD	4
47	801-00104	Console, Sub-Assembly	1	64	222-04001	Washer, Flat 1/2 PLTD	2

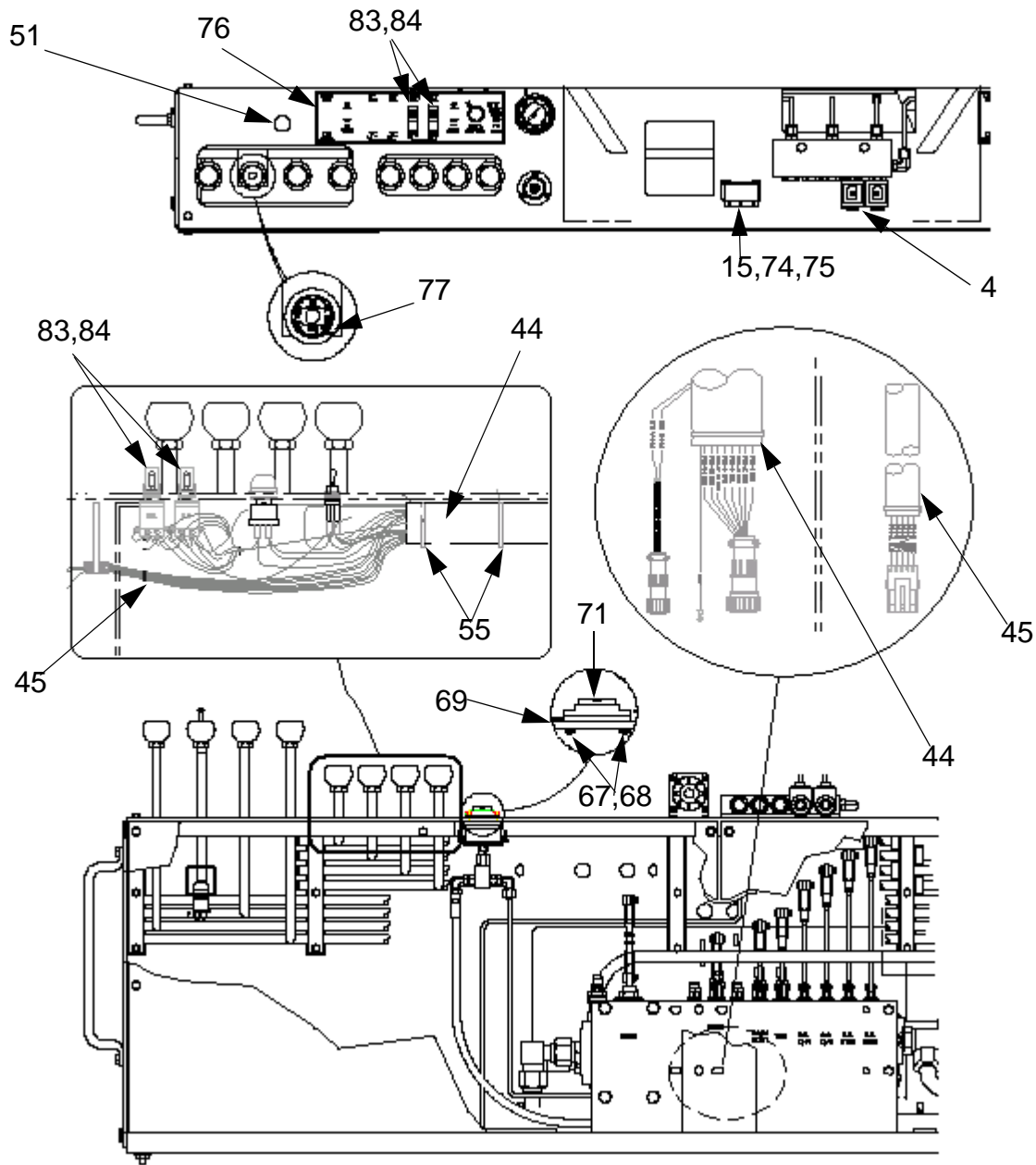
*ITEM PARTIALLY SEEN

**REMOVED FOR CLARITY

***REPLACES FRONT OUTRIGGER SWITCH

WHEN ORDERING PARTS, SPECIFY MODEL NUMBER, SERIAL NUMBER AND DESCRIPTION OF PARTS REQUIRED

	<h1>CONTROL CONSOLE ASSEMBLY</h1>	DATE: Revised 03-2006	GROUP 28
		MODEL: BT2000 Series	
		Page 28.3	



REF	PART NO.	DESCRIPTION	QTY	REF	PART NO.	DESCRIPTION	QTY
65	221-04001	Nut, Hex, 1/2-13UNC PLTD	4	77	650-00654	Placard, Control, 2 Speed Winch.....	2
66	221-06002	Nut, Jam, 5/8-11 UNC PLTD	16	78	NOT USED		
67	223-00102	FHMS, #8-32 x 3/4" Long	6	79	220-01004	Bolt, Hex Head, 5/16-18NC x 3/4 PLTD	22
68	221--0008	Nut, Hex, #8-32 Nylock	6	80	222-01001	Washer, Flat, 5/16 PLTD	30
69	263-00044	Gasket, Level Mounting.....	2	81	222-11002	Washer, Lock, 5/16 PLTD.....	22
70	209-00831	Level Base, Circular Level.....	2	82	221-01001	Nut, 5/16-18NC PLTD.....	6
71	209-00832	Level Indicator, Circular.....	2	83	400-04122	Switch, DPDT Moment.....	4
72	NOT USED			84	400-04036	Switch, Guard	4
73	NOT USED			85	514-65004	Elbow, SN #8 OFS.....	1
74	223-01101	RH MS Slot, #10-32 x 3/4 PL	2	86	519-50010	Cap, #8 OFS.....	1
75	221-90003	Nut Hex Nylon LK #10-32 PLTD	2	87	519-20004	Cap, #4OFS	2
76	651-00269	Placard, Control.....	2	88	400-02437	Wire Assembly, Outrigger Alarm.....	1

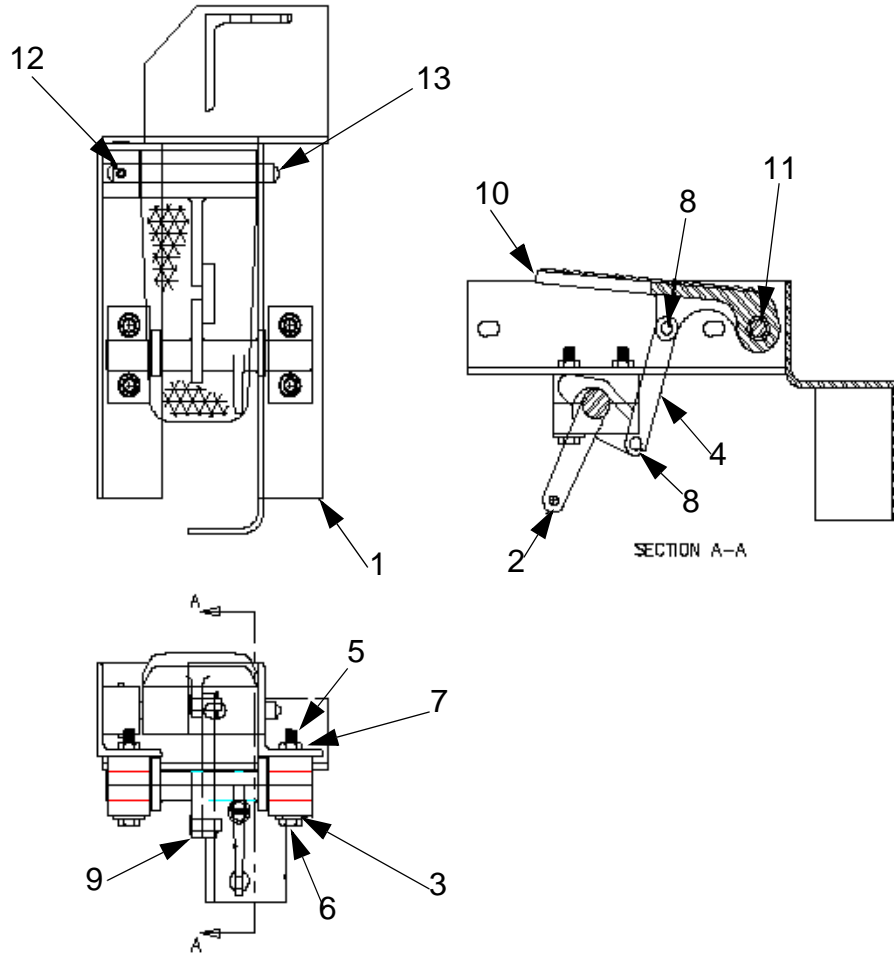
WHEN ORDERING PARTS, SPECIFY MODEL NUMBER, SERIAL NUMBER AND DESCRIPTION OF PARTS REQUIRED



CONTROL CONSOLE ASSEMBLY

DATE: Revised 03-2006
 MODEL: BT2000 Series
 Page 28.4

GROUP
28



Throttle Assembly

REF	PART NO.	DESCRIPTION	QTY	REF	PART NO.	DESCRIPTION	QTY
1	809-00407	Throttle Weldment	1	8	870-00002	Pin, Clevis, 1/4 x 3/4	2
2	809-00389	Throttle Shaft, Casting.....	1	9	224-01001	Pin, Cotter, 3/32 x 1/2" Long.....	2
3	709-01612	Bearing, Block Acceleration Pedal	2	10	100-30029	Throttle Pedal, Casting	1
4	806-00198	Control Pedal, Main Link	1	11	08074200	Nylon Spacer	2
5	220-00007	Bolt, Hex Head 1/4 NC x 2" Long	4	12	224-12001	Pin, Roll, 1/8 x 1 1/8" Long	1
6	222-00006	Washer, Flat, 1/4 PLTD	4	13	870-00132	Pin, 3/8 x 4 Long	1
7	221-90001	Nut, Hex Head, 1/4 NC Toplock	4				

WHEN ORDERING PARTS, SPECIFY MODEL NUMBER, SERIAL NUMBER AND DESCRIPTION OF PARTS REQUIRED



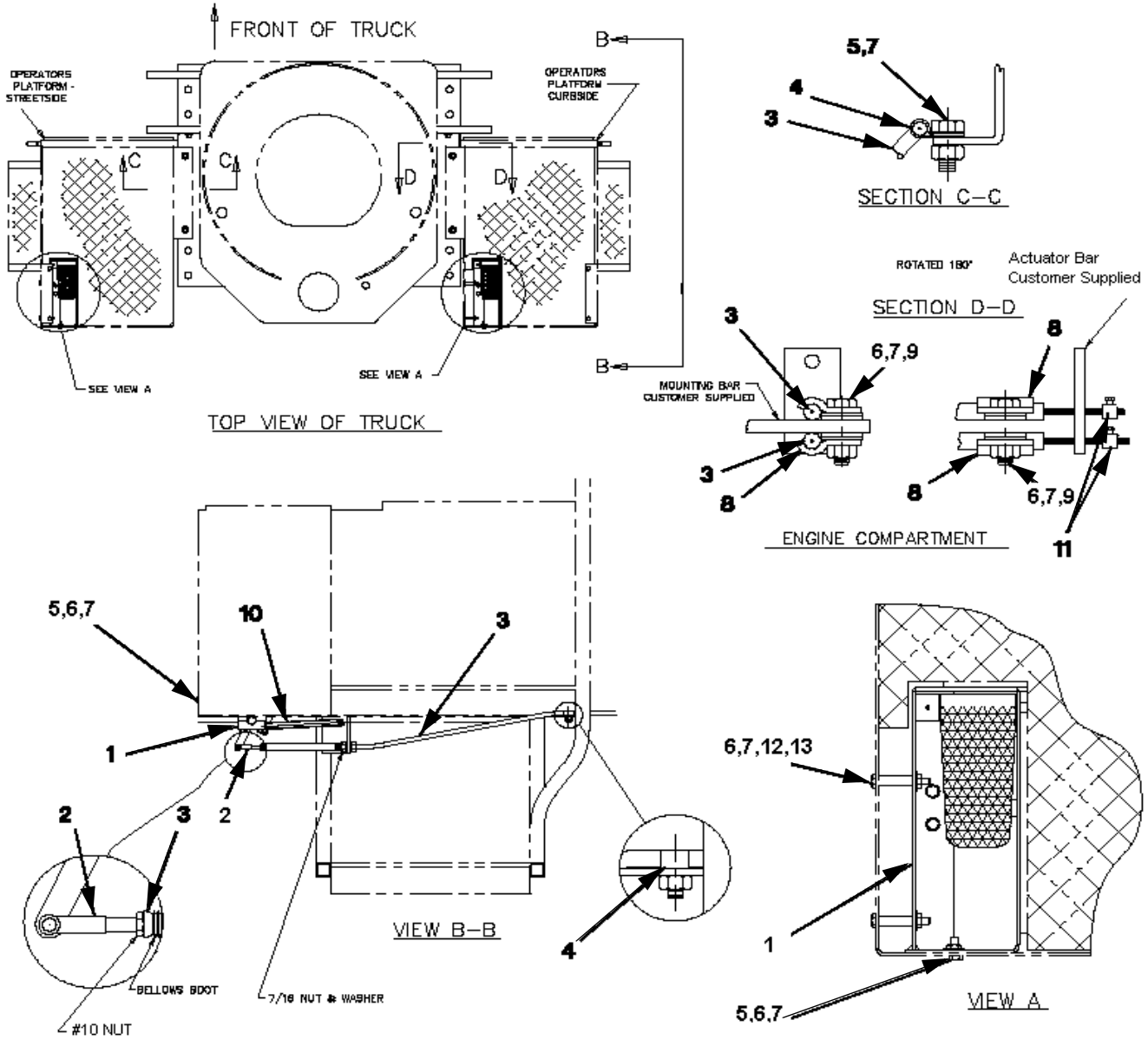
THROTTLE ASSEMBLY

DATE: Revised 03-2006

MODEL: BT2000 Series

Page 28.5

GROUP
28



Throttle Installation

REF	PART NO.	DESCRIPTION	QTY	REF	PART NO.	DESCRIPTION	QTY
1	600-40347	Throttle Sub-assembly	2	8	201-00143	Cable, clamp	2
2	809-00390	Clevis Assembly	2	9	220-00004	Bolt, Hex Head 1/4 NC x 1 1/4" Long	1
3	600-40329	Cable, Throttle	2	10	202-10062	Spring, Throttle Pedal Return	2
4	201-00141	Tube, clamp 1/4	2	11	209-00046	Swivel Stop	2
5	220-00003	Bolt, Hex head 1/4NC x 3/4" Long	4	12	220-00007	Bolt, Hex Head 1/4NC x 2" Long	4
6	222-00006	Washer, Flat, 1/4 PLTD	10	13	036-10040	Spacer Tube, 1/2 Dia. Long	4
7	221-90001	Nut, Hex, 1/4 NC Top Lock	9				

WHEN ORDERING PARTS, SPECIFY MODEL NUMBER, SERIAL NUMBER AND DESCRIPTION OF PARTS REQUIRED

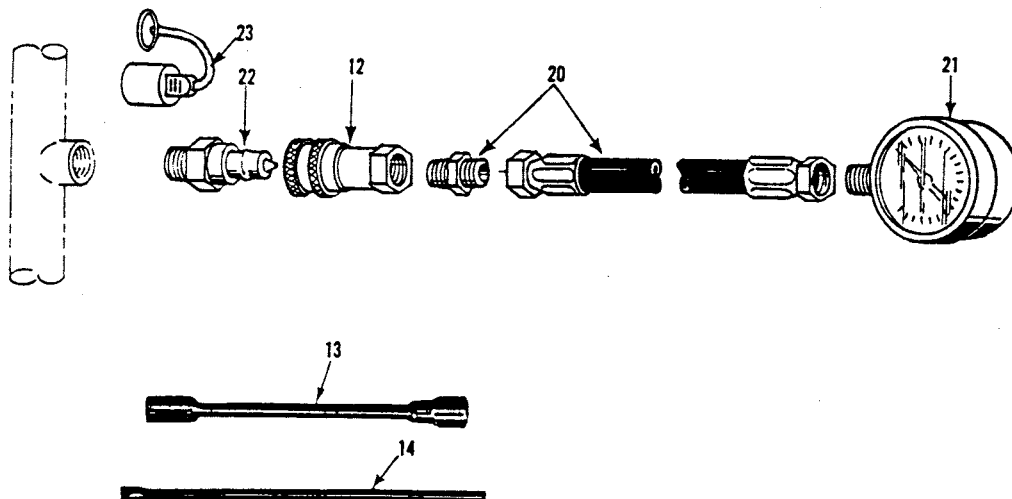


THROTTLE INSTALLATION

DATE: Revised 03-2006
 MODEL: BT2000 Series
 Page 28.6

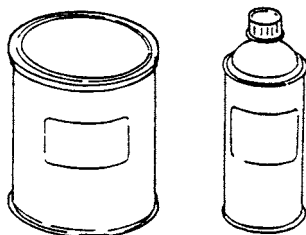
GROUP
28

29 TOOLS, PAINT, LUBRICANTS



Pressure Gauge

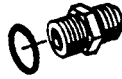
REF	PART NO.	DESCRIPTION	QTY	REF	PART NO.	DESCRIPTION	QTY
	706A8760	Tool Kit (Includes Items 1 Through 19)	Opt	9	1226-62	Punch, Long Taper (1/4 x 12"	1
				10	1226-32	Hammer, Ball Peen (32 Oz.).....	1
				11	1226-63	Tool Box.....	1
1	1226-54	Wrench, Adjustable, Hydraulic Fitting	1	12	12019-556	Disconnect, Female	1
2	1226-55	Wrench Set, Combination (17 Pc).....	1	13	1226-11	Wrench, Wheel	1
3	1226-56	Socket Set, 3/4" Drive (12 Pc).....	1	14	32179	Handle, Wrench	1
4	1226-57	Flex Handle, 3/4" Drive, 18" Long	1	15	A29372	Kit, Hose	Opt
5	1226-58	Extension Bar, 3/4" Drive, 16" Long	1	16	204260	Gauge, Pressure (0-6000 Psi)	Opt
6	1226-59	Socket, 3/4" 12 Point.....	1	17	706-8758	Tool, Brake Adjust.....	Opt
7	1226-60	Universal Joint, 3/4" Drive	1	18	12019-557	Disconnect, Male	3
8	1226-61	Spanner< Adjustable Hook (2"-4 3/4")	1	19	12019-558	Cap, Dust.....	3



Paints

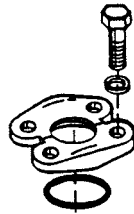
REF	PART NO.	DESCRIPTION	QTY	REF	PART NO.	DESCRIPTION	QTY
1	218536	Paint, Terex White.....	AR	3	218535	Paint, Terex Grey.....	AR
2	218538	Aerosol Paint, Terex White.....	AR	4	218539	Aerosol Paint, Terex Grey.....	AR
				5	216537	Primer	AR

WHEN ORDERING PARTS, SPECIFY MODEL NUMBER, SERIAL NUMBER AND DESCRIPTION OF PARTS REQUIRED



O-Ring Adapters

O-RING PART NO.	SAE SIZE (-) 16ths Inch	FOR TUBE OD	O-RING PART NO.	SAE SIZE (-) 16ths Inch	FOR TUBE OD
1218-282, 460 0080	-4	1/4	1218-292, 460 0888	-14	7/8
1218-283	-5	5/16	1218-287, 460 0163	-16	1
1218-284, 460 0885	-6	3/8	1218-288, 460 0133	-20	1-1/4
1218-285, 460 0886	-8	1/2	1218-289, 460 0889	-24	1-1/2
1218-286, 460 0079	-10	5/8	1218-293, 460 0890	-32	2
1218-290, 460 0887	-12	3/4			



Split Flange Clamps

TUBE OD	PART NO.	DESCRIPTION	QTY.	TUBE OD	PART NO.	DESCRIPTION	QTY.
3/4"	12019-279	Split Flange Clamp	2	1-1/2"	1219-390	Split Flange Clamp.....	2
	1218-26	O-Ring	1		1218-72	O-Ring.....	1
	1200-61	Capscrew, 3/8C x 1-1/4	4		1200-100	Capscrew, 1/2C x 1-1/2	4
	1210-20	Lock Washer.....	4		1210-26	Lock Washer	4
1"	1219-665	Split Flange Clamp	2	2"	1219-885	Split Flange Clamp.....	2
	1218-103	O-Ring	1		1218-126	O-Ring.....	1
	1200-61	Capscrew, 3/8C x 1-1/4	4		1200-100	Capscrew, 1/2C x 1-1/2	4
	1210-20	Lock washer	4		1210-26	Lock Washer	4
1-1/4"	1219-392	Split Flange Clamp	2	3"	1219-393	Split Flange Clamp.....	2
	1218-63	O-Ring	1		1218-61	O-Ring.....	1
	1200-307	Capscrew, 7/16C x 1-1/2	4		1200-146	Capscrew, 5/8C x 1-3/4	4
	1210-23	Lock Washer.....	4		1210-32	Lock Washer	4

WHEN ORDERING PARTS, SPECIFY MODEL NUMBER, SERIAL NUMBER AND DESCRIPTION OF PARTS REQUIRED



SPLIT FLANGE CLAMPS

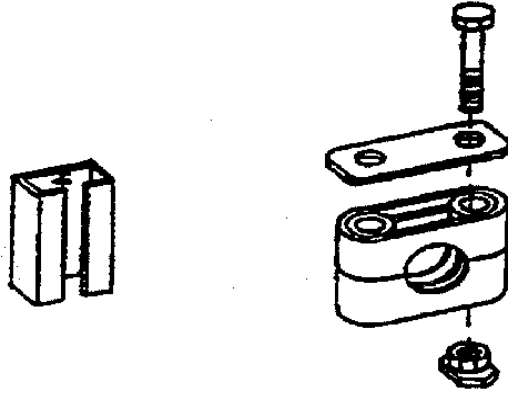
DATE: Revised 03-2006

MODEL: BT2000 Series

Page 29.2

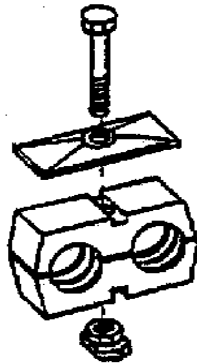
GROUP

29



Clamps

	1/4"	5/16"	3/8"	1/2"	5/8"	3/4"	7/8"	1"	1 1/4"	1 1/2"
CLAMP SET		1240-172		1240-163	1240-160	1240-168			1240-146	1240-132
COVER PLATE		1240-174		1240-162	1240-162	1240-170			1240-148	1240-148
NUT		1240-173		1240-161	1240-161	1240-169			1240-157	1240-156*
CAPSCREW		1200-3 1/4C x1		1200-5 1/4Cx1 1/4	1200-5 1/4Cx1 1/4	1200-7 1/4Cx1 1/2			1200-13 1/4Cx2 1/4	1200-13 1/4Cx2 1/4
WHERE USED		Hyd Brakes		Air Brakes	Air Brakes	Outriggers			Upper & Lower Hyd.	Upper Hydraulics



Dual Clamps

	1/4"	5/16"	3/8"	1/2"	5/8"	3/4"	7/8"	1"	1 1/4"	1 1/2"
CLAMP SET		1240-172		1240-163	1240-160	1240-168			1240-146	1240-132
COVER PLATE		1240-174		1240-162	1240-162	1240-170			1240-148	1240-148
NUT		1240-173		1240-161	1240-161	1240-169			1240-157	1240-156*
CAPSCREW		1200-3 1/4C x1		1200-5 1/4Cx1 1/4	1200-5 1/4Cx1 1/4	1200-7 1/4Cx1 1/2			1200-13 1/4Cx2 1/4	1200-13 1/4Cx2 1/4
WHERE USED		Hyd Brakes		Air Brakes	Air Brakes	Outriggers			Upper & Lower Hyd.	Upper Hydraulics

WHEN ORDERING PARTS, SPECIFY MODEL NUMBER, SERIAL NUMBER AND DESCRIPTION OF PARTS REQUIRED



CLAMPS

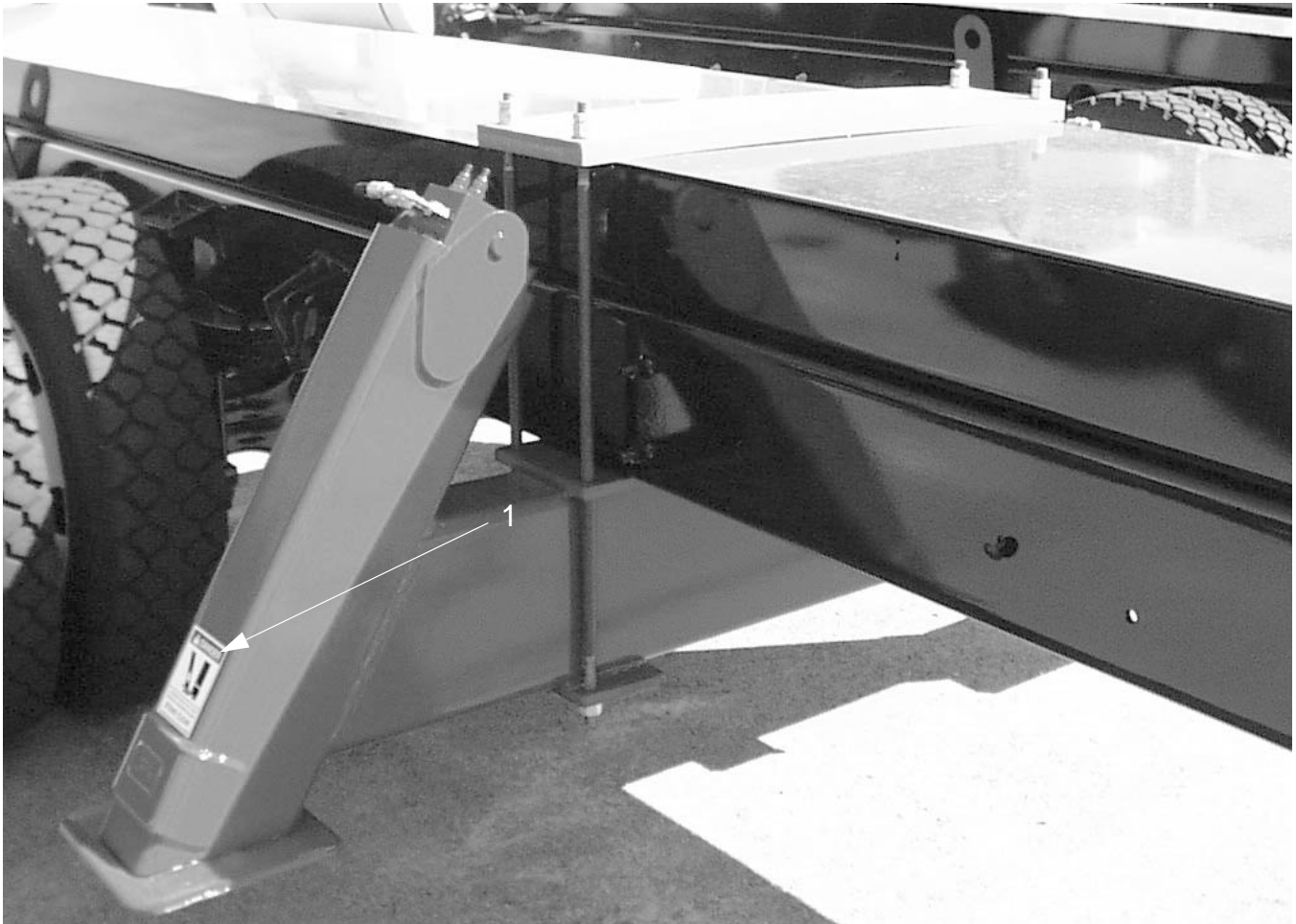
DATE: Revised 03-2006

MODEL: BT2000 Series

Page 29.3

GROUP
29

30 DECALS & PLACARDS



A-Frame Outrigger Decals

<u>REF</u>	<u>PART NO.</u>	<u>DESCRIPTION</u>	<u>QTY</u>
1	651-00186	Decal, DANGER Outrigger.....	2

WHEN ORDERING PARTS, SPECIFY MODEL NUMBER, SERIAL NUMBER AND DESCRIPTION OF PARTS REQUIRED



**A-FRAME OUTRIGGER
DECALS - BT 2000**

DATE: Revised 03-2006
MODEL: BT2000 Series
Page 30.1

**GROUP
30**



REF	PART NO.	DESCRIPTION	QTY	REF	PART NO.	DESCRIPTION	QTY
*	565-00003	JIB Decal Kit.....	1	5	651-00366	Decal, RH Boom Angle Indicator.....	1
1	651-00196	Decal, Lanyard Anchor Point.....	2	6	651-00367	Decal, LH Boom Angle Indicator.....	1
2	651-00203	Decal, DANGER-Remove SFJ.....	2	7	651-00371	Decal, Crush Hazard.....	2
3	651-00327	Decal, Offset JIB Warning.....	2	8	652-00131	Decal, SFJ Installation.....	2
4	651-00332	Decal, DANGER, Falling JIB.....	2	9	652-00132	Decal, 2 Stage SFG Operation.....	2
				10	653-00394	Decal, TEREX LOGO.....	2

WHEN ORDERING PARTS, SPECIFY MODEL NUMBER, SERIAL NUMBER AND DESCRIPTION OF PARTS REQUIRED



JIB DECALS - BT 3000

DATE: Revised 03-2006
 MODEL: BT2000 Series
 Page 30.2

GROUP
30



Pedestal Decals

REF	PART NO.	DESCRIPTION	QTY	6	12400-303	Decal, Crane VIN	1
1	652-00111	Decal, Operating Instructions	2	7	654-00704	Quality Control Certification	n/a
2	652-00525	Decal, Master Lube Chart	2	8	651-00376	Decal, Personnel Attachment	1
3	652-00114	Decal, Crane hand Signals	2	9	653-00229	Decal, Stability Certification	1
4	651-00253	Decal, WARNING Replacement	2	10	651-00269	Decal, Switch Control	2
5	651-00270	Decal, DANGER 2-BLOCKING	2				

WHEN ORDERING PARTS, SPECIFY MODEL NUMBER, SERIAL NUMBER AND DESCRIPTION OF PARTS REQUIRED



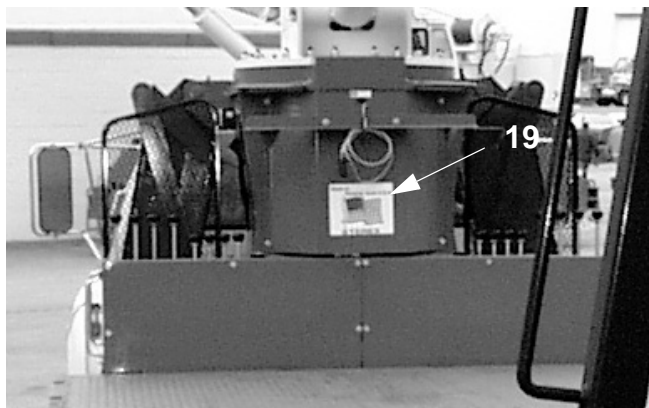
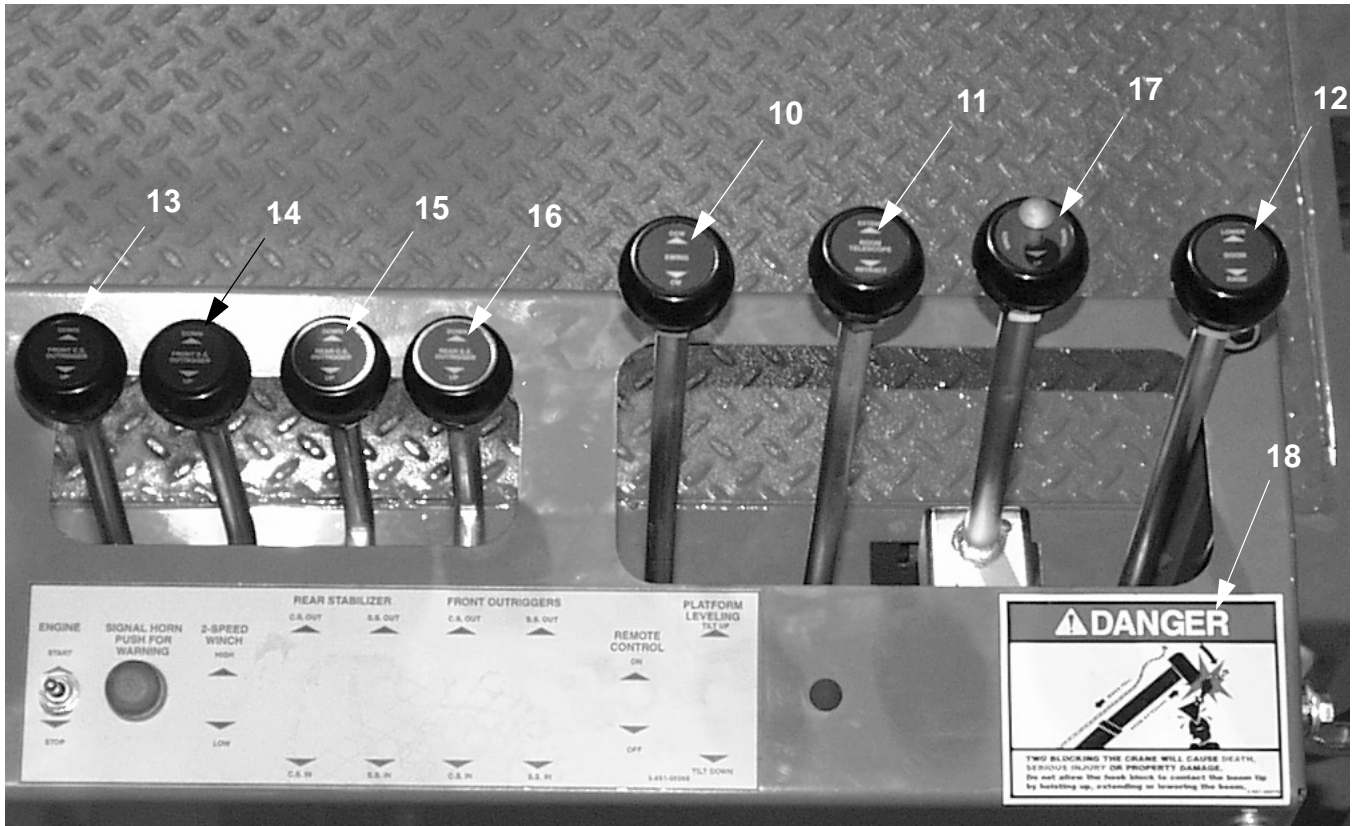
**CONSOLE & PEDESTAL
DECALS - BT 2000**

DATE: Revised 03-2006

MODEL: BT2000 Series

Page 30.3

**GROUP
30**



REF	PART NO.	DESCRIPTION	QTY
10	650-00329	Decal, Swing-horz. Knob	2
11	650-00411	Decal, Telescope-Horz Knob	2
12	650-00330	Decal, Boom-Horz Knob	2
13	650-00431	Decal, Front CS Outrigger Horz Knob	2
14	650-00432	Decal, Front SS Outrigger Horz Knob.....	2
15	650-00433	Decal, Rear CS Outrigger Horz Knob.....	2
16	650-00434	Decal, Rear SS Outrigger Horz Knob	2
17	650-00654	Decal, 2Speed Winch Control Knob	2
18	651-00270	Decal, DANGER, 2 Blocking.....	2
19	653-00332	Decal, MADE IN USA	1

WHEN ORDERING PARTS, SPECIFY MODEL NUMBER, SERIAL NUMBER AND DESCRIPTION OF PARTS REQUIRED



CONSOLE & TURRET DECALS - BT 2000

DATE: Revised 03-2006

MODEL: BT2000 Series

Page 30.4

GROUP
30



Flatbed/Platform Decals



Flatbed/Platform Decals

REF	PART NO.	DESCRIPTION	QTY	REF	PART NO.	DESCRIPTION	QTY
*	656-00006	Decal Kit, Flatbed/Platform.....	1	3	651-00185	Decal, DANGER Ride	2
1	12400-1003	Decal, Fire Extinguisher	1	4	651-00187	Decal, Electrocution Hazard	2
2	651-00184	Decal, Electrocution Hazard.....	6	5	651-00195	Decal, DANGER Drive Line	2
				6	652-00073	Decal, HYDRAULIC OIL ONLY	1

WHEN ORDERING PARTS, SPECIFY MODEL NUMBER, SERIAL NUMBER AND DESCRIPTION OF PARTS REQUIRED

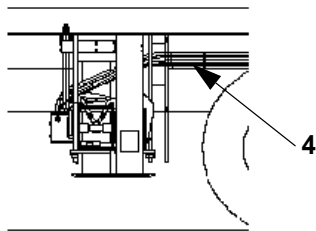
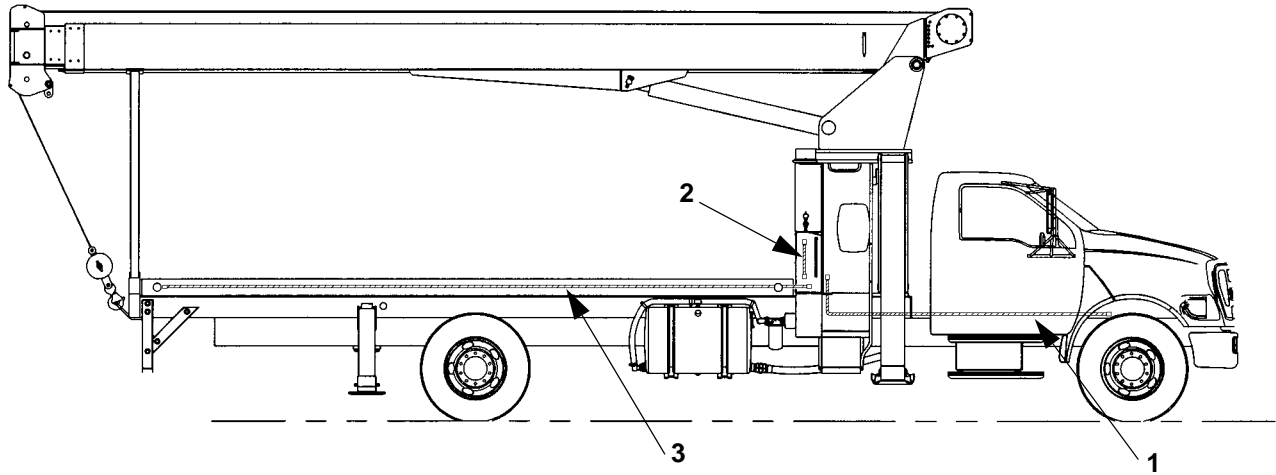


**FLATBED/PLATFORM
DECALS - BT 2000**

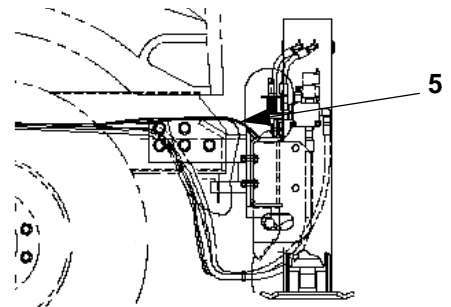
DATE: Revised 03-2006
 MODEL: BT2000 Series
 Page 30.5

**GROUP
30**

33 ELECTRICAL SYSTEM



Optional Out & Down Auxiliary Outriggers



Optional Front Bumper Outriggers

Electrical Harnesses

REF	PART NO.	DESCRIPTION	QTY	REF	PART NO.	DESCRIPTION	QTY
1	400-02445	Harness, Main Electrical.....	1	5	400-02435	Harness, Front Bumper Outrigger Electrical (Optional).....	1
2	400-25155	Harness, Console Electrical	1	44	400-25153	Harness Assembly, Crane Console.....	1
3	400-25163	Harness, Tail Lights Electrical	1	45	400-25137	Harness Assembly, Control, Aux. O/R.....	1
4	400-25084	Harness, Auxiliary Outriggers, (BT3470 H-frame Aux. O/R Only)	1				
	400-25137	Harness Assembly Outriggers, (BT3000 A-frame Aux. O/R Only).....	1				

WHEN ORDERING PARTS, SPECIFY MODEL NUMBER, SERIAL NUMBER AND DESCRIPTION OF PARTS REQUIRED

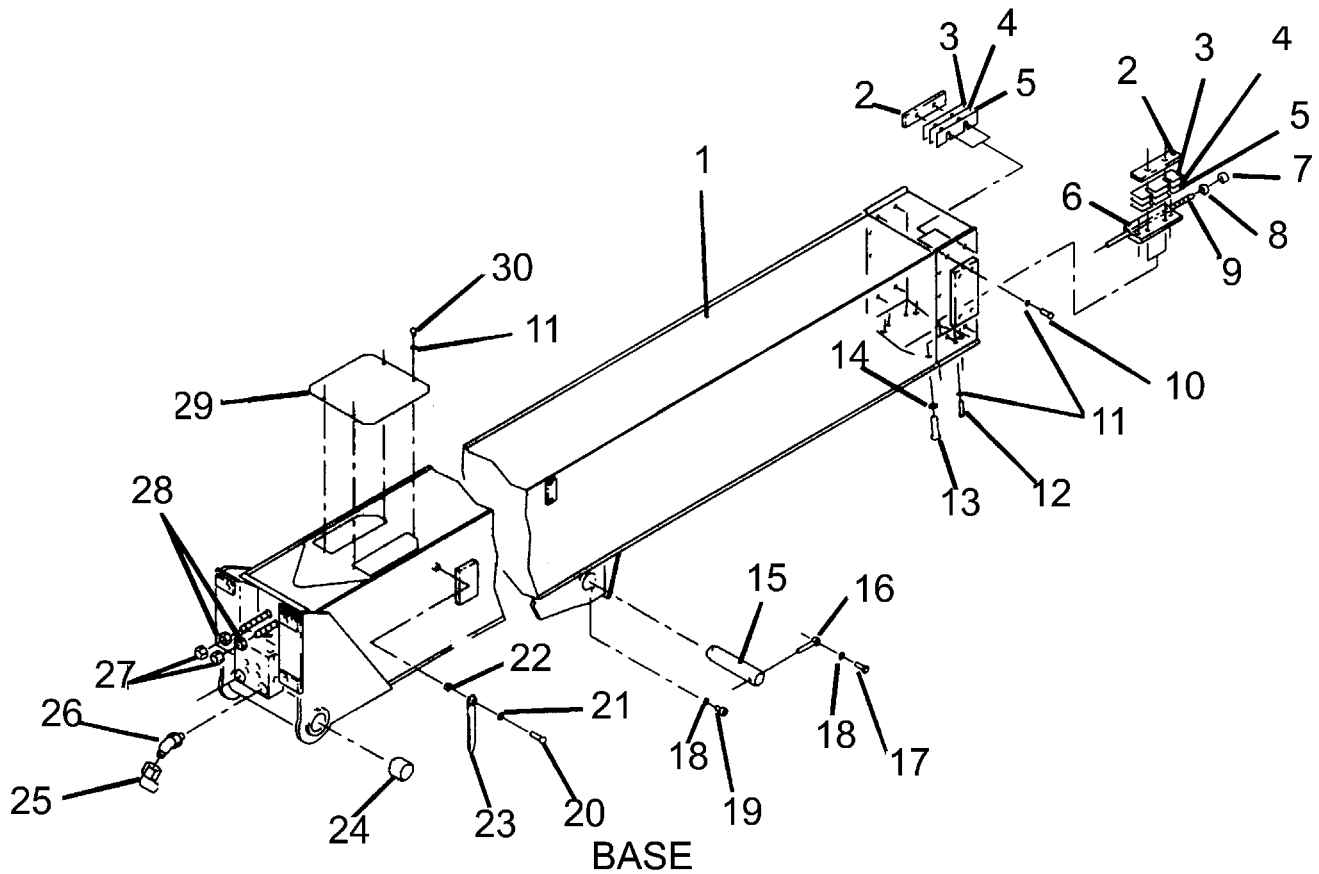


ELECTRICAL HARNESS- MAIN CONTROL

DATE: Revised 03-2006
 MODEL: BT2000 Series
 Page 33.1

GROUP
33

39 HYDRAULIC TELESCOPING BOOMS



Boom Assembly - 57' Base

REF	PART NO.	DESCRIPTION	QTY	REF	PART NO.	DESCRIPTION	QTY
*	721-00237	Boom Assembly, 57'.....	Ref	15	870-70063	Pin, 2 1/4 x 9 3/4'	1
1	722-01348	Boom, Base Weldment.....	1	16	224-26005	Rod End 5/8 x 4'	1
2	729-02172	Wear Pad, 1 3/4 x 6 3/4' Long.....	12	17	220-06037	Bolt, Hex Head 5/8 x 1 1/2'	1
3	787-00238	Shim, 0.0400 x 1 3/4 x 6 3/4.....	20	18	222-16003	Washer, lock 5/8	3
4	787-00239	Shim, 0.063 x 1 3/4 x 6 3/4.....	20	19	220-36010	Bolt, Socket Head 5/8-11NC x 3/4".....	2
5	787-00240	Shim, 0.100 x 1 3/4 x 6 3/4.....	20	20	220-03004	Bolt, Hex Head 7/16 x 1 1/4".....	2
6	780-00263	Block, Retract Cable support.....	2	21	222-03002	Washer, flat 7/16.....	2
7	221-06001	Nut, Hex Head, 5/8 NC GRC-PLTD	2	22	221-03001	Nut, Hex Jam 7/16	2
8	221-06002	Nut, Hex Head Jam 5/8 - 11 NC - 2B.....	2	23	729-02578	Pointer, Boom Angle Assembly	2
9	861-13003	Cable Assembly, 5/16 x 294 1/4.....	2	24	271-17004	Bearing, Journal.....	2
10	220-01004	Bolt, Hex Head 5/16 x 3/4'	16	25	514-66004	Elbow Swivel 3/4 x 90 Deg.	2
11	222-11002	Washer, Lock 5/16	24	26	515-06003	Elbow 3/4 x 45 Deg.....	2
12	220-01010	Bolt, Hex Head 5/16	4	27	221-09005	Nut, Hex 1 1/4-7.....	2
13	220-04040	Bolt, Hex Head, 1/2 x 1 1/4	12	28	221-09003	Nut, Hex Jam 1 1/4-7.....	2
14	222-04009	Washer, flat 1/2	12	29	729-02188	Cover Plate, Base Boom.....	1
				30	223-15210	Screw, 5/16 x 3/4" Self Tap.....	4

WHEN ORDERING PARTS, SPECIFY MODEL NUMBER, SERIAL NUMBER AND DESCRIPTION OF PARTS REQUIRED



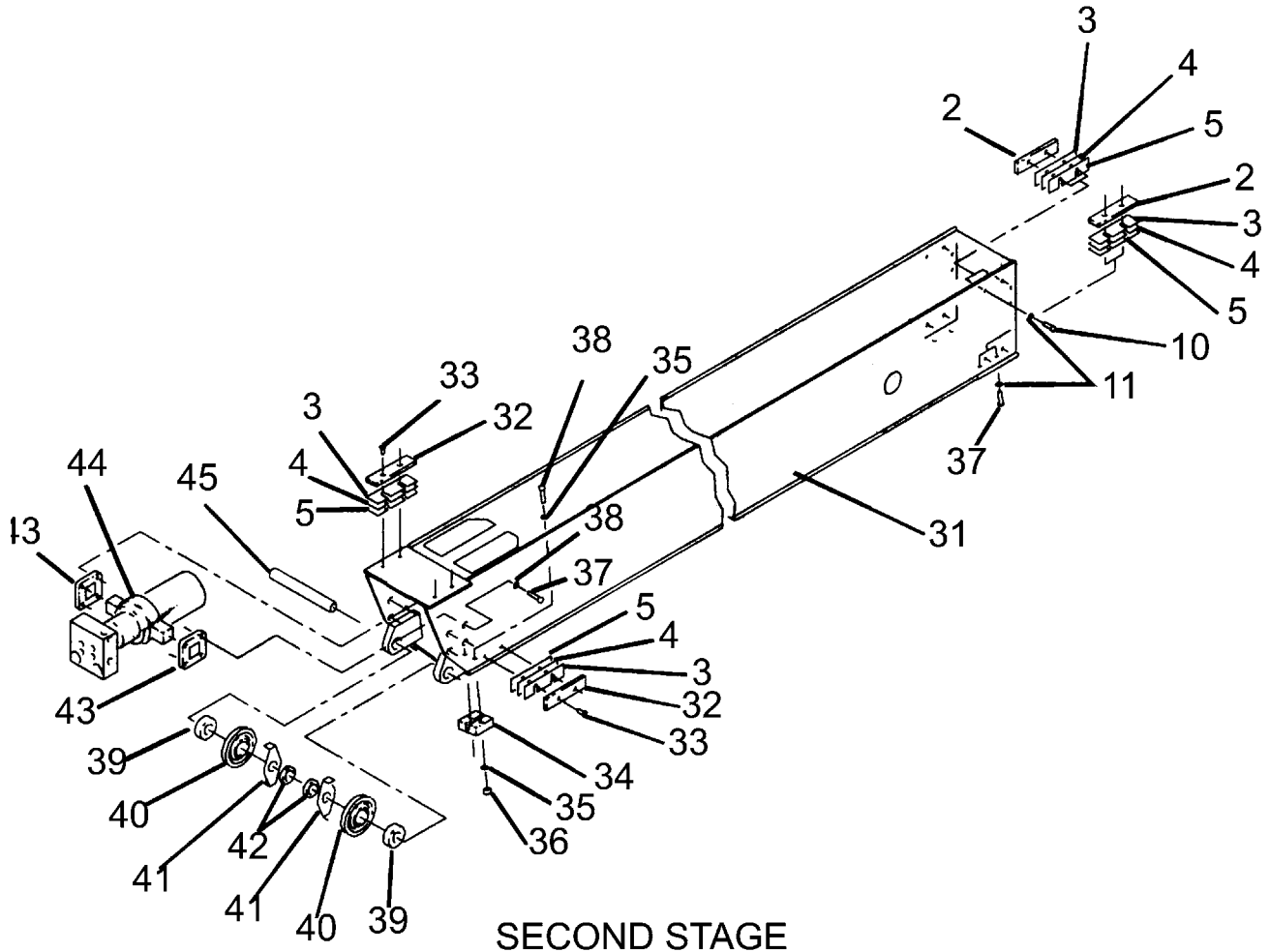
BOOM ASSEMBLY - 57' BASE

DATE: Revised 01-2006

MODEL: BT2000 Series

Page 39.1

GROUP
39



SECOND STAGE
Boom Assembly - 57' 2nd Stage

<u>REF</u>	<u>PART NO.</u>	<u>DESCRIPTION</u>	<u>QTY</u>	<u>REF</u>	<u>PART NO.</u>	<u>DESCRIPTION</u>	<u>QTY</u>
31	722-01085	2nd Stage Weldment 57 Ft.....	1	39	274-20004	Bearing, Roller, Inner Race.....	2
32	729-02168	Wear Pad 1 3/4 x 7"	8	40	860-10009	Sheave, 5/16 Rope assembly	2
33	223-00303	FSHMS 5/16-18 x 7/8".....	16	41	729-02206	Cable retainer, Retract Sheave.....	2
34	729-02201	Cable Retract Guide.....	2	42	200-10009	Collar.....	2
35	222-01001	Washer, flat 5/16	8	43	781-00139	Boss, Extension Cylinder Trunnion.....	2
36	221-91001	Nut, Hex Toplock 5/16.....	4	44	548-00014	Cylinder Extension Assembly	1
37	220-01005	Bolt, Hex Head 5/16 x 1"	4	45	870-30202	Pin, Retract sheave.....	1
38	220-01003	Bolt, Hex Head 5/16 x 1 1/4"	4	46	NOT USED		

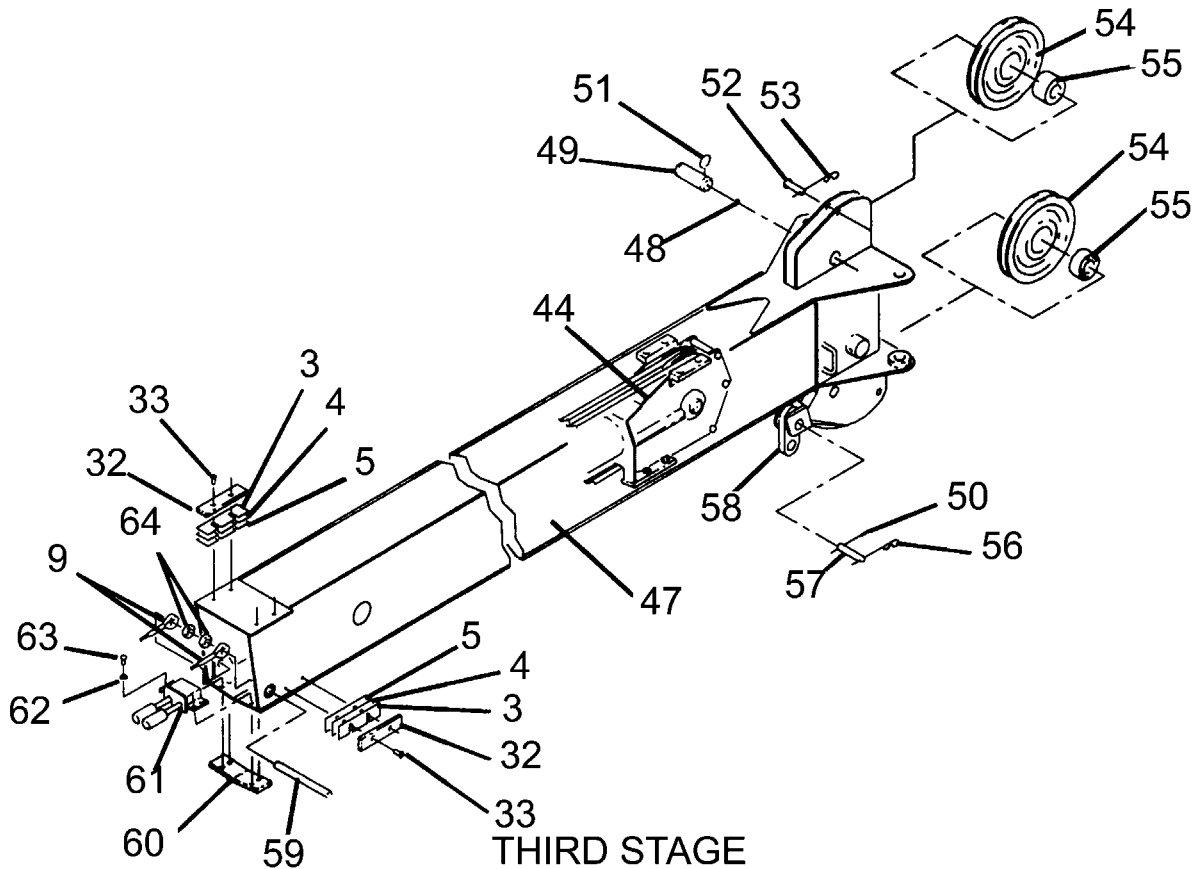
WHEN ORDERING PARTS, SPECIFY MODEL NUMBER, SERIAL NUMBER AND DESCRIPTION OF PARTS REQUIRED



BOOM ASSEMBLY - 57'
2ND STAGE

DATE: Revised 01-2006
MODEL: BT2000 Series
Page 39.2

GROUP
39



Boom Assembly - 57' 3rd Stage

REF	PART NO.	DESCRIPTION	QTY	REF	PART NO.	DESCRIPTION	QTY
47	722-01174	3rd Stage Weldment, 63"	1	56	224-04001	Cotter Pin	1
48	501-03001	Grease Zerk	2	57	870-30200	Pin, 1 1/4 x 5 1/4	1
49	870-50060	Pin-Sheave	2	58	783-02786	Support Bar, Aux Sheave	1
50	224-04002	Hairpin 0.178 Dia.....	1	59	870-10176	Pin, 0.870 Dia. x 9.....	1
51	200-10006	Snap Ring.....	4	60	729-02200	Bar, 3rd Stage Boom Support.....	1
52	870-10177	Pin, 3/4 x 2 3/4	2	61	770-01709	Anchor Bracket	1
53	224-02006	Hairpin, 0.120 Dia.....	2	62	222-02011	Washer, Flat.....	4
54	860-40050	Sheave Assembly 9/16 Rope.....	2	63	220-02045	Bolt, Hex Head 3/8.....	4
55	374-30004	Roller bearing, Inner Race	2	64	200-10008	Collar.....	2

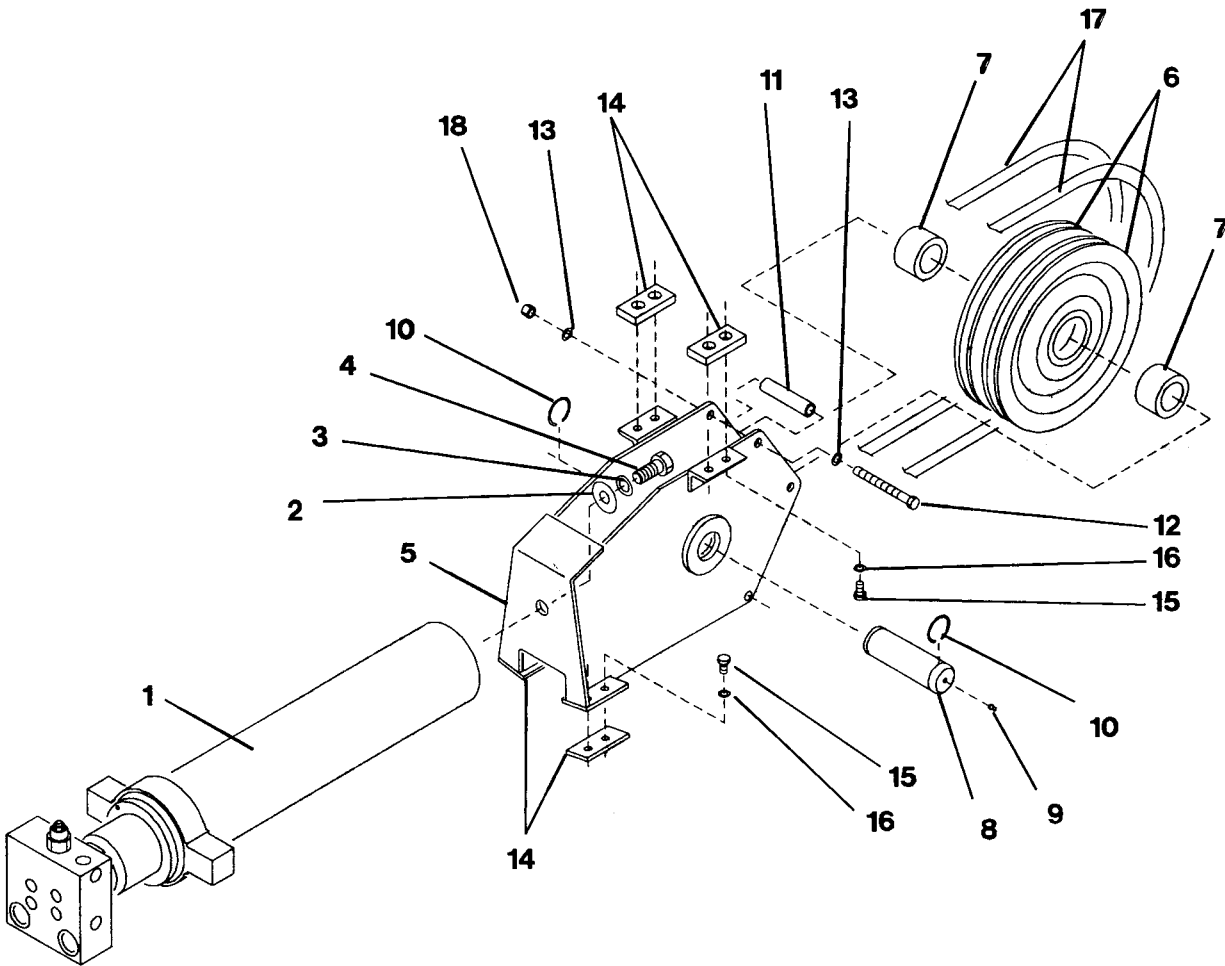
WHEN ORDERING PARTS, SPECIFY MODEL NUMBER, SERIAL NUMBER AND DESCRIPTION OF PARTS REQUIRED



**BOOM ASSEMBLY - 57'
3RD STAGE**

DATE: Revised 01-2006
MODEL: BT2000 Series
Page 39.3

**GROUP
39**



Extension Cylinder Assembly 57'

REF	PART NO.	DESCRIPTION	QTY	REF	PART NO.	DESCRIPTION	QTY
*	548-00014	Extend Cylinder Assembly	Ref	10	200-10006	Ring, Snap	2
1	540-07005	Extension Cylinder Assembly	1	11	782-01278	Spacer, Boom Ext. Sheave Bracket	3
2	222-07005	Washer, Flat 3/4"	1	12	220-02009	Bolt, Hex Head 3/8 x5"	3
3	222-17001	Washer, Lock 3/4"	1	13	222-02005	Washer, Flat 3/8	6
4	220-07018	Bolt, Hex Head 3/4 x 1 1/4"	1	14	729-02341	Wear Pad 1 1/2 x 3 1/2	4
5	777-00089	Bracket, Extension Sheave Weldment	1	15	220-01013	Bolt, Hex Head 5/16 x 5/8"	8
6	860-40053	Sheave, Extension Assembly 5/8 Rope	2	16	222-11002	Washer, Lock 5/16	8
7	274-30004	Bearing, Inner	2	17	861-17022	Cable Assembly, 5/8 x 478	2
8	870-50061	Pin, Extension Sheave Double	1	18	221-92001	Nut, Hex Head, Toplock 3/8	3
9	501-03001	Zerk, Grease 1/4 - 28	2				

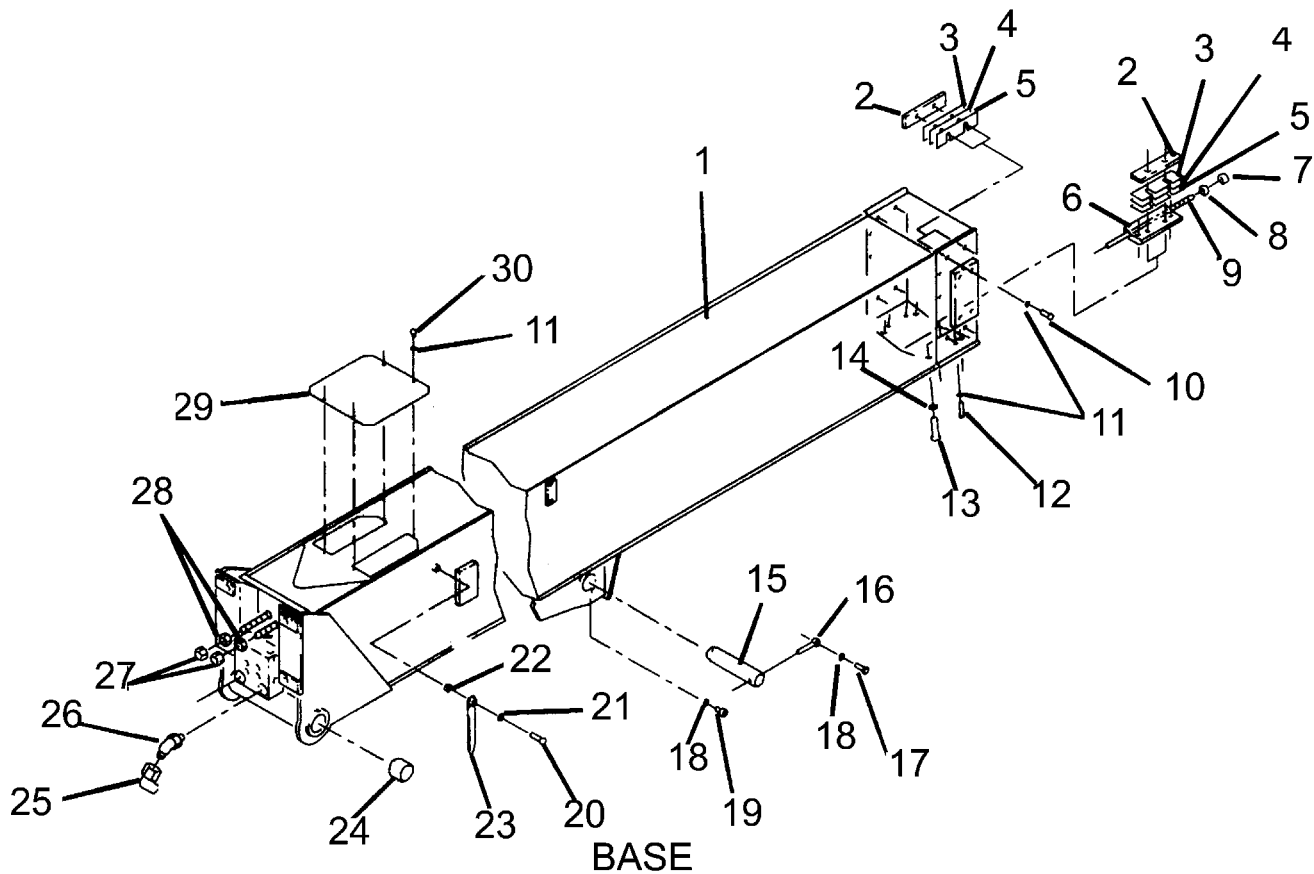
WHEN ORDERING PARTS, SPECIFY MODEL NUMBER, SERIAL NUMBER AND DESCRIPTION OF PARTS REQUIRED



**EXTENSION CYLINDER
ASSEMBLY 57' BOOM**

DATE: Revised 01-2006
 MODEL: BT2000 Series
 Page 39.4

**GROUP
39**



Boom Assembly - 47' Base

REF	PART NO.	DESCRIPTION	QTY	REF	PART NO.	DESCRIPTION	QTY
*	721-00236	Boom Assembly, 47'	Ref	15	870-70063	Pin, 2 1/4 x 9 3/4'	1
1	722-01347	Boom, Base Weldment	1	16	224-26005	Rod End 5/8 x 4'	1
2	729-02172	Wear Pad, 1 3/4 x 6 3/4' Long	12	17	220-06037	Bolt, Hex Head 5/8 x 1 1/2'	1
3	787-00238	Shim, 0.0400 x 1 3/4 x 6 3/4	20	18	222-16003	Washer, lock 5/8	3
4	787-00239	Shim, 0.063 x 1 3/4 x 6 3/4	20	19	220-36010	Bolt, Socket Head 5/8-11NC x 3/4"	2
5	787-00240	Shim, 0.100 x 1 3/4 x 6 3/4	20	20	220-03004	Bolt, Hex Head 7/16 x 1 1/4"	2
6	780-00263	Block, Retract Cable support	2	21	222-03002	Washer, flat 7/16	2
7	221-06001	Nut, Hex Head, 5/8 NC GRC-PLTD	2	22	221-03001	Nut, Hex Jam 7/16	2
8	221-06002	Nut, Hex Head Jam 5/8 - 11 NC - 2B	2	23	729-02578	Pointer, Boom Angle Assembly	2
9	861-13005	Cable Assembly, 5/16 x 294 1/4	2	24	271-17004	Bearing, Journal	2
10	220-01004	Bolt, Hex Head 5/16 x 3/4'	16	25	514-66004	Elbow Swivel 3/4 x 90 Deg.	2
11	222-11002	Washer, Lock 5/16	24	26	515-06003	Elbow 3/4 x 45 Deg.	2
12	220-01010	Bolt, Hex Head 5/16	4	27	221-09005	Nut, Hex 1 1/4-7	2
13	220-04040	Bolt, Hex Head, 1/2 x 1 1/4	12	28	221-09003	Nut, Hex Jam 1 1/4-7	2
14	222-04009	Washer, flat 1/2	12	29	729-02188	Cover Plate, Base Boom	1
				30	223-15210	Screw, 5/16 x 3/4" Self Tap	4

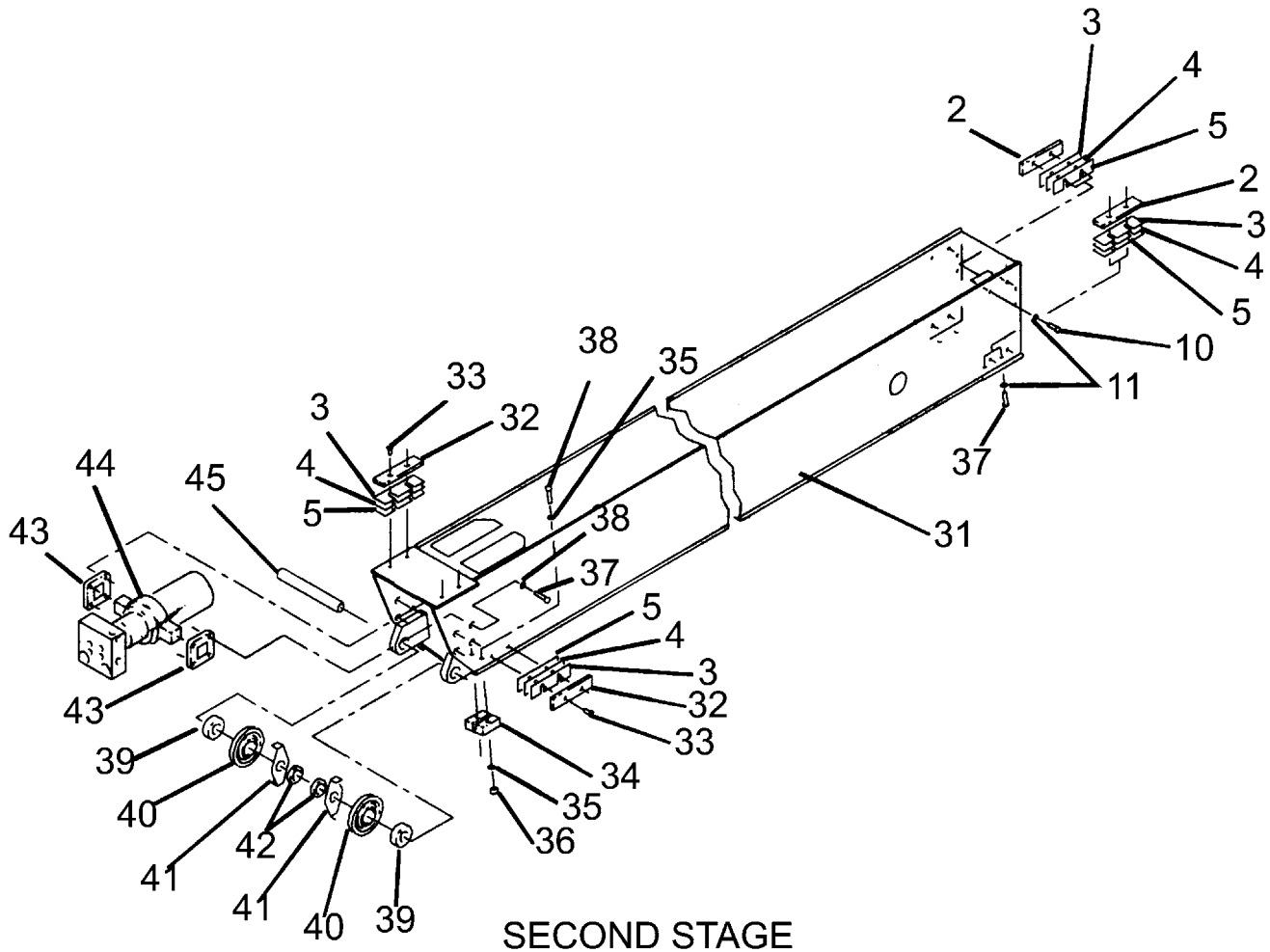
WHEN ORDERING PARTS, SPECIFY MODEL NUMBER, SERIAL NUMBER AND DESCRIPTION OF PARTS REQUIRED



BOOM ASSEMBLY - 47'
BASE

DATE: Revised 01-2006
MODEL: BT2000 Series
Page 39.5

GROUP
39



Boom Assembly - 47' 2nd Stage

REF	PART NO.	DESCRIPTION	QTY	REF	PART NO.	DESCRIPTION	QTY
31	722-01096	2nd Stage Weldment 47 Ft.....	1	39	274-20004	Bearing, Roller, Inner Race.....	2
32	729-02168	Wear Pad 1 3/4 x 7"	8	40	860-10009	Sheave, 5/16 Rope assembly	2
33	223-00303	FSHMS 5/16-18 x 7/8".....	16	41	729-02206	Cable retainer, Retract Sheave.....	2
34	729-02201	Cable Retract Guide.....	2	42	200-10009	Collar.....	2
35	222-01001	Washer, flat 5/16	8	43	781-00139	Boss, Extension Cylinder Trunnion.....	2
36	221-91001	Nut, Hex Toplock 5/16.....	4	44	548-00006	Cylinder Extension Assembly	1
37	220-01005	Bolt, Hex Head 5/16 x 1"	4	45	870-30202	Pin, Retract sheave.....	1
38	220-01003	Bolt, Hex Head 5/16 x 1 1/4"	4	46	NOT USED		

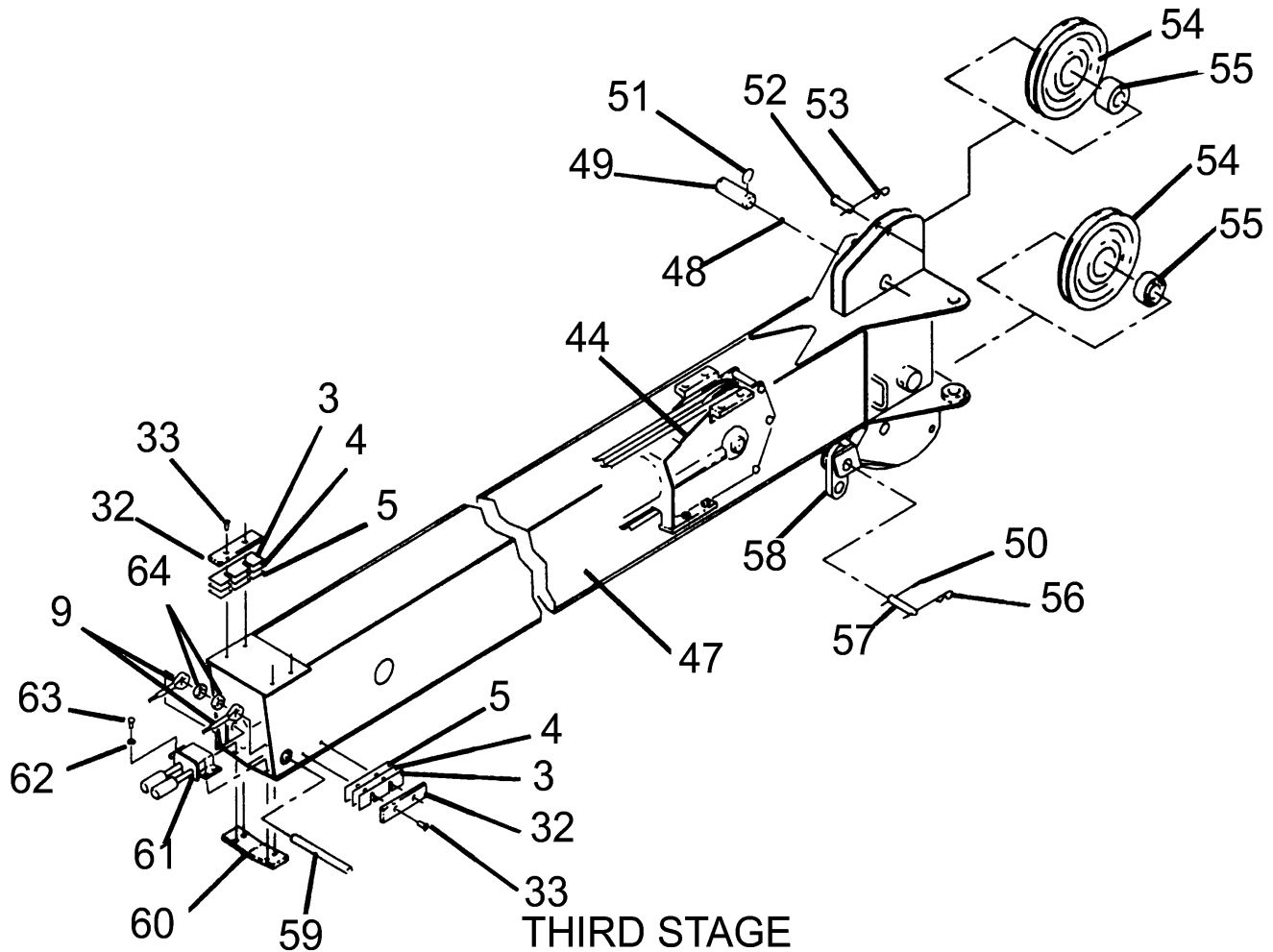
WHEN ORDERING PARTS, SPECIFY MODEL NUMBER, SERIAL NUMBER AND DESCRIPTION OF PARTS REQUIRED



**BOOM ASSEMBLY - 47'
2ND STAGE**

DATE: Revised 01-2006
 MODEL: BT2000 Series
 Page 39.6

**GROUP
39**



Boom Assembly - 47' 3rd Stage

REF	PART NO.	DESCRIPTION	QTY	REF	PART NO.	DESCRIPTION	QTY
47	722-01174	3rd Stage Weldment, 63"	1	56	224-04001	Cotter Pin	1
48	501-03001	Grease Zerk	2	57	870-30200	Pin, 1 1/4 x 5 1/4	1
49	870-50060	Pin-Sheave	2	58	783-02786	Support Bar, Aux Sheave	1
50	224-04002	Hairpin 0.178 Dia.	1	59	870-10176	Pin, 0.870 Dia. x 9	1
51	200-10006	Snap Ring	4	60	729-02200	Bar, 3rd Stage Boom Support	1
52	870-10177	Pin, 3/4 x 2 3/4	2	61	770-01709	Anchor Bracket	1
53	224-02006	Hairpin, 0.120 Dia.	2	62	222-02011	Washer, Flat	4
54	860-40050	Sheave Assembly 9/16 Rope	2	63	220-02045	Bolt, Hex Head 3/8	4
55	374-30004	Roller bearing, Inner Race	2	64	200-10008	Collar	2

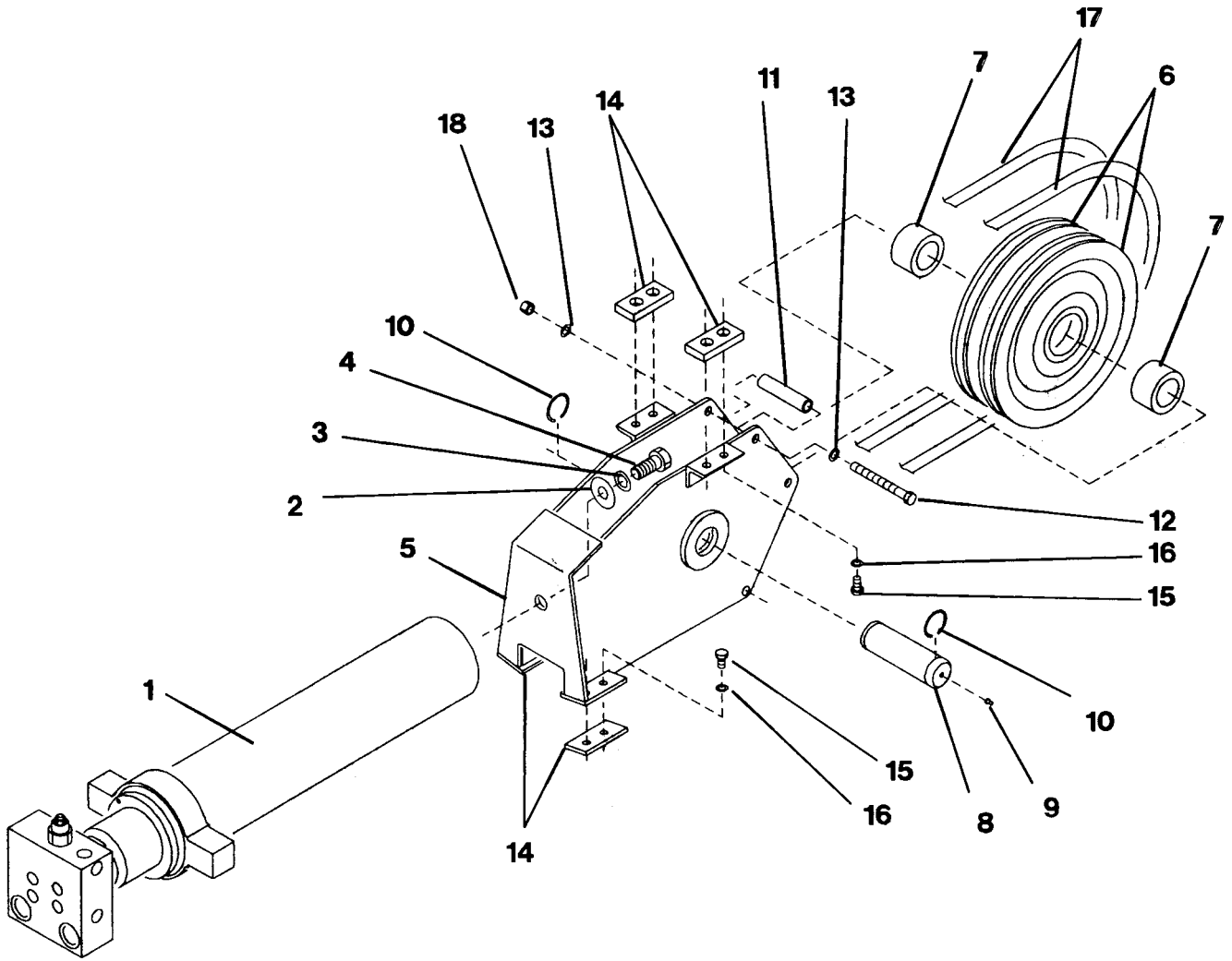
WHEN ORDERING PARTS, SPECIFY MODEL NUMBER, SERIAL NUMBER AND DESCRIPTION OF PARTS REQUIRED



**BOOM ASSEMBLY - 47'
3RD STAGE**

DATE: Revised 01-2006
MODEL: BT2000 Series
Page 39.7

**GROUP
39**



Extension Cylinder Assembly 57'

REF	PART NO.	DESCRIPTION	QTY	REF	PART NO.	DESCRIPTION	QTY
*	548-00014	Extend Cylinder Assembly	Ref	10	200-10006	Ring, Snap	2
1	540-07005	Extension Cylinder Assembly	1	11	782-01278	Spacer, Boom Ext. Sheave Bracket	3
2	222-07005	Washer, Flat 3/4"	1	12	220-02009	Bolt, Hex Head 3/8 x5"	3
3	222-17001	Washer, Lock 3/4"	1	13	222-02005	Washer, Flat 3/8	6
4	220-07018	Bolt, Hex Head 3/4 x 1 1/4"	1	14	729-02341	Wear Pad 1 1/2 x 3 1/2	4
5	777-00089	Bracket, Extension Sheave Weldment	1	15	220-01013	Bolt, Hex Head 5/16 x 5/8"	8
6	860-40053	Sheave, Extension Assembly 5/8 Rope	2	16	222-11002	Washer, Lock 5/16	8
7	274-30004	Bearing, Inner	2	17	861-17022	Cable Assembly, 5/8 x 478	2
8	870-50061	Pin, Extension Sheave Double	1	18	221-92001	Nut, Hex Head, Toplock 3/8	3
9	501-03001	Zerk, Grease 1/4 - 28	2				

WHEN ORDERING PARTS, SPECIFY MODEL NUMBER, SERIAL NUMBER AND DESCRIPTION OF PARTS REQUIRED



**EXTENSION CYLINDER
ASSEMBLY 47' BOOM**

DATE: Revised 01-2006
 MODEL: BT2000 Series
 Page 39.8

**GROUP
39**



Topping Cylinder Assembly

<u>REF</u>	<u>PART NO.</u>	<u>DESCRIPTION</u>	<u>QTY</u>	<u>REF</u>	<u>PART NO.</u>	<u>DESCRIPTION</u>	<u>QTY</u>
	548-00054	Topping cylinder Assembly		3*	519-60007	Cap, #10	2
1	540-90100	Topping Cylinder	1	4	514-52005	Elbow, 90 Deg.	1
2	514-56005	Elbow, 90 Deg. Long	2	5**	519-20004	Cap, #4	1

*Cap for PN 514-56005 (Not Shown)
 **Cap for PN 514-52005 (Not Shown)

WHEN ORDERING PARTS, SPECIFY MODEL NUMBER, SERIAL NUMBER AND DESCRIPTION OF PARTS REQUIRED



**TOPPING CYLINDER
ASSEMBLY**

DATE: Revised 01-2006
 MODEL: BT2000 Series
 Page 39.9

**GROUP
39**

Topping Cylinder

<u>REF</u>	<u>PART NO.</u>	<u>DESCRIPTION</u>	<u>QTY</u>	<u>REF</u>	<u>PART NO.</u>	<u>DESCRIPTION</u>	<u>QTY</u>
1	540-90100	Topping Cylinder, Boom.....	1	7*		Plug, Nylon.....	1
2	552-00089	Counterbalance Valve.....	1	8*		Ring, Back-Up.....	1
3		Plug, Port 9/16-18 UNF.....	1	9*		O-Ring.....	1
4		Fiberglide Bushing.....	1	10*		Seal, Teflon.....	1
*	268-90159	Seal Kit, Topping Cylinder.....	1	11*		Ring, Wear.....	2
		(Includes Items 16 Through 27)		12*		O-Ring.....	1
5*		O-Ring.....	1	13*		Ring, Wear.....	1
6*		O-Ring.....	2	14*		U-Cup.....	1
				15*		Ring, Back-Up.....	1
				16*		Wiper, D Type.....	1

* ITEM NOT SHOWN

**SEAL KIT #059-00015 (For CB Valve)

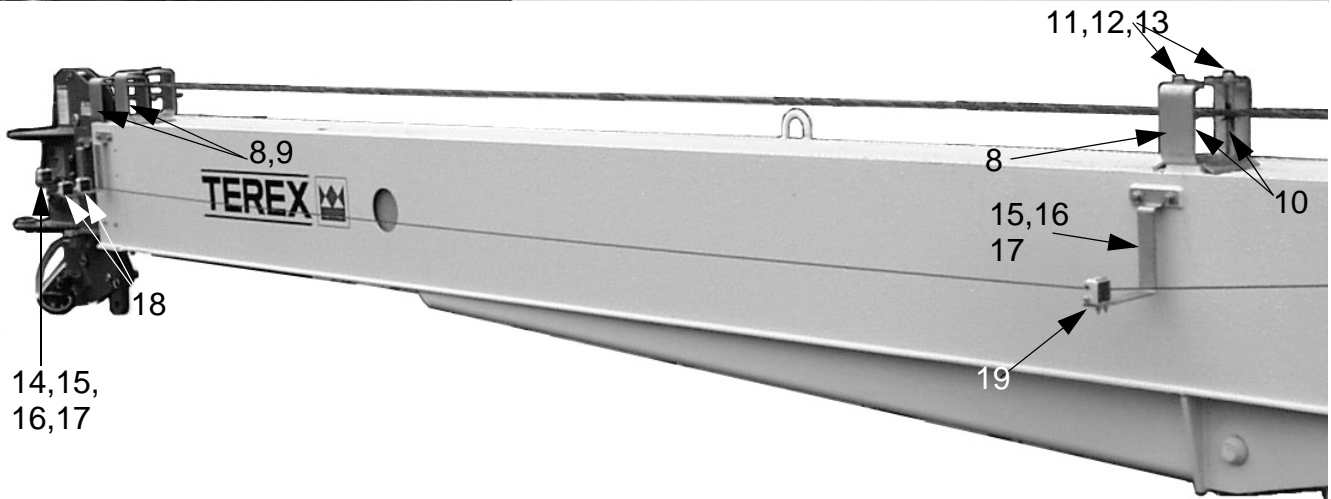
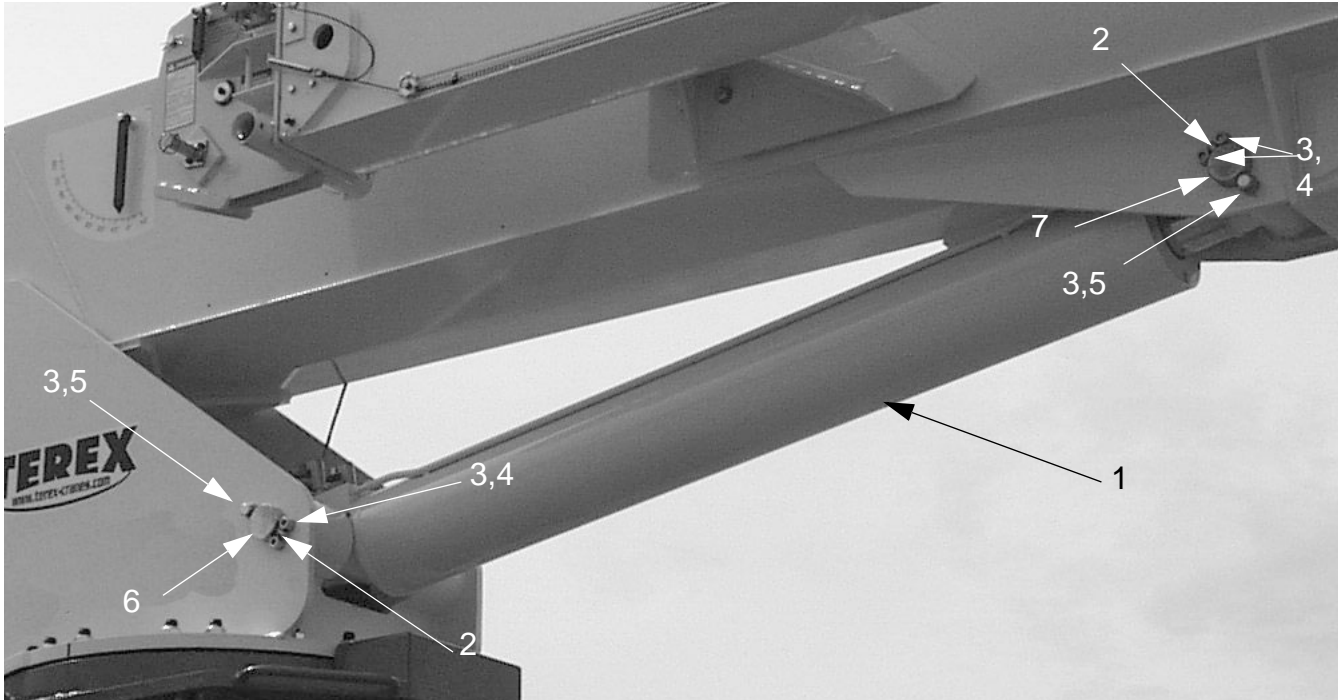
WHEN ORDERING PARTS, SPECIFY MODEL NUMBER, SERIAL NUMBER AND DESCRIPTION OF PARTS REQUIRED



TOPPING CYLINDER

DATE: Revised 01-2006
MODEL: BT2000 Series
Page 39.10

**GROUP
39**



Boom / Topping Cylinder Installation

REF	PART NO.	DESCRIPTION	QTY	REF	PART NO.	DESCRIPTION	QTY
1	540-90087	Cylinder, Topping Assembly.....	1	9	729-02352	Guide, Rope, Mid-Base Boom	1
2	224-26005	Rod End, 5/8Dia x 4 Long	Ref	10	870-90030	Pin, 2 3/4Dia. x 26 1/16.....	Ref
3	222-16003	Washer, Lock, 5/8 Med. LTD.....	Ref	11	729-02349	Guide, Rope, 3rd Stage	1
4	220-36010	Bolt, SH, 5/8-11NC x 3/4-A574, PLTD	Ref	12	729-02687	Guide, Rope, Rear Base	1
5	220-06037	Bolt, Hex Head, 5/8NC x 1 1/2GR5 PLT ...	Ref	13	220-01013	Bolt, Hex Head 5/16NC x 5/8 PLTD.....	22
6	729-02351	Guide, Rope, Base Boom Front	1	14	222-11002	Washer, Lock, 5/16 Med. PLTD.....	22
7	729-02696	Guide, Rope, 2nd Stage.....	1	15	870-90031	Pin. 2 3/4 Dia x 12 5/8.....	Ref
8	729-02354	Bracket, Boom Tip Cable anchor	1	16	222-01001	Washer, Flat 5/16 PLTD	22

WHEN ORDERING PARTS, SPECIFY MODEL NUMBER, SERIAL NUMBER AND DESCRIPTION OF PARTS REQUIRED

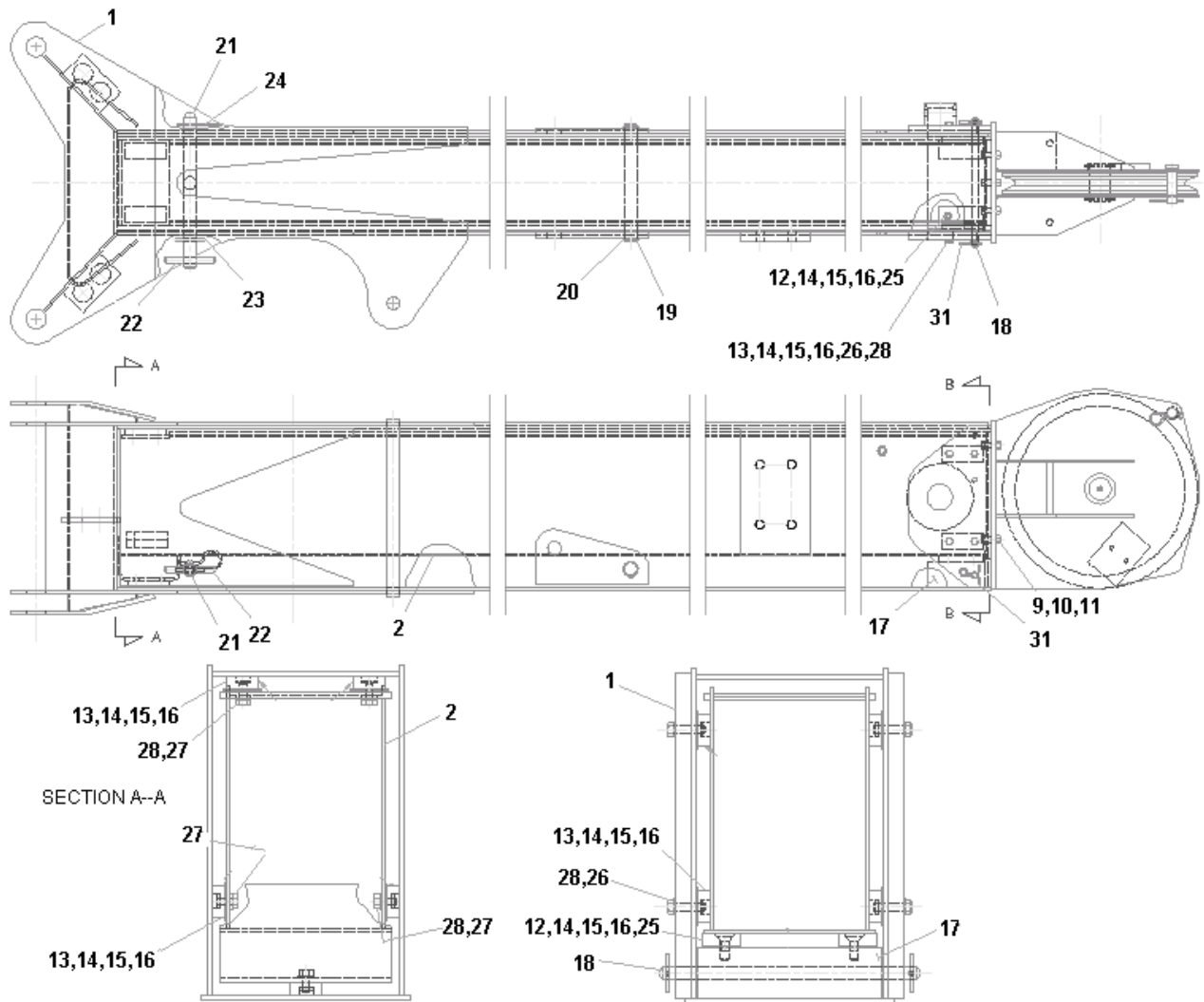


**BOOM/TOPPING CYLINDER
INSTALLATION**

DATE: Revised 01-2006
 MODEL: BT2000 Series
 Page 39.11

**GROUP
39**

39A 2 STAGE SIDE FOLDING JIB 26/44FT



2 Stage JIB Assembly

SFJ ASSEMBLY, 2 STAGE, 26/44Ft.

REF	PART NO.	DESCRIPTION	QTY	REF	PART NO.	DESCRIPTION	QTY
	730-50185	SFJ Assembly, 2 Stage	1	7	501-03001	Zerk, Grease, 1/4-28UNF	1
				8	200-30001	Ring, Retaining	2
1	730-51273	Weldment, Base Jib	1	9	220-02048	Screw, Hex Head C 3/8NC x 1 1/4" Long..-	
2	730-51269	Weldment, 2nd Stage Jib	1	10	221-92001	Nut, Hex, 3/8 Toplock PLTD	6
3	770-01987	Weldment, Jib Tip.....	1	11	222-02011	Washer, flat, 3/8.....	12
4	860-70005	Sheave, 9/16 Rope Assembly	1	12	729-02170	Wear Pad	2
5	274-30004	Bearing, Inner Race	1	13	729-02341	Wear Pad 1 1/2 x 3 1/2	9
6	870-50058	Pin, sheave.....	11	14	787-00241	Shim, .040.....	10
				15	787-00242	Shim, .063.....	10
				16	787-00243	Shim, .100.....	2

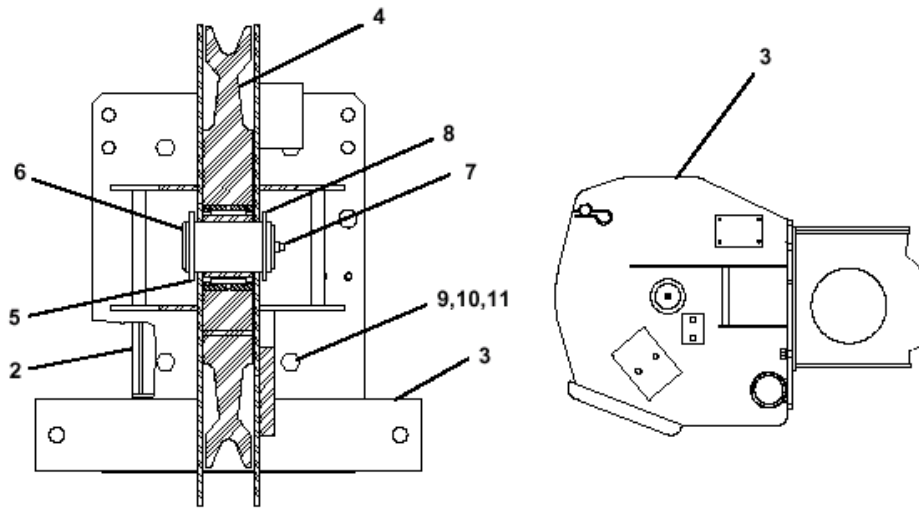
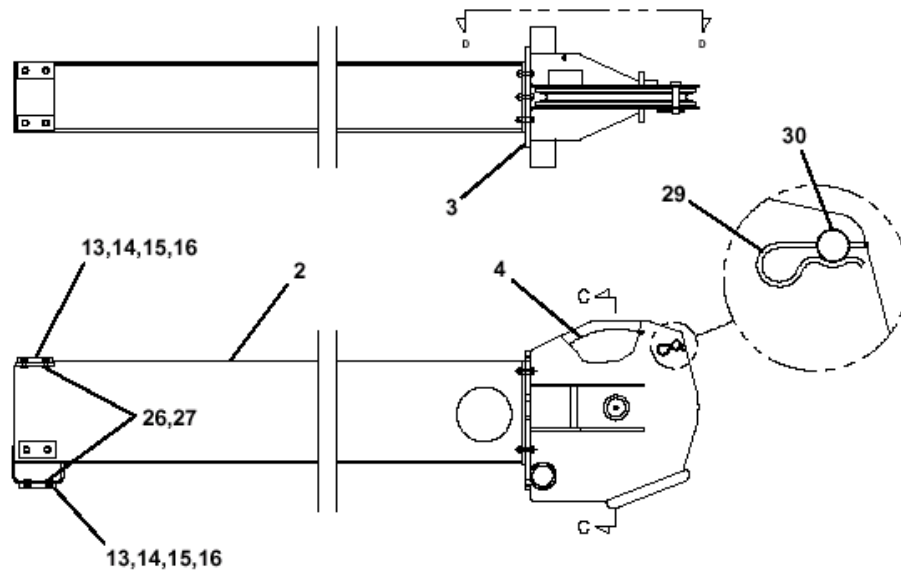
WHEN ORDERING PARTS, SPECIFY MODEL NUMBER, SERIAL NUMBER AND DESCRIPTION OF PARTS REQUIRED



**SFJ JIB ASSEMBLY
2 STAGE**

DATE: Revised 03-2006
MODEL: BT2000 Series
Page 39A.1

**GROUP
39A**



SECTION C-C

VIEW D-D

2 Stage JIB Assembly 92'

REF	PART NO.	DESCRIPTION	QTY	REF	PART NO.	DESCRIPTION	QTY
17	783-02908	Support Bar, Jib.....	1	25	223-00304	FSHMS 5/16NC x 5/8 PLTD	1
18	870-00136	Pin 2	1	26	222-11002	Washer, Lock 5/16 PLTD.....	18
19	870-20236	Pin 1	1	27	220-01013	Screw, Hex Head 5/16NC x 5/8	10
20	200-10002	Ring, Snap.....	2	28	220-01003	Screw, Hex Head 5/16NC x 1 1/4	8
21	870-20237	Pin 3	1	29	224-02006	Hairpin, .120.....	2
22	224-19006	Pin, Roll 1/4 x 2 1/4.....	1	30	870-10174	Pin, Clevis.....	1
23	224-16003	Pin, Roll 1/2 x 4	1	31	224-04006	Pin, Cotter.....	2
24	224-04002	Pin, Cotter 3/16	1	32 - 39		NOT USED	
				40	220-02051	Capscrew.....	6

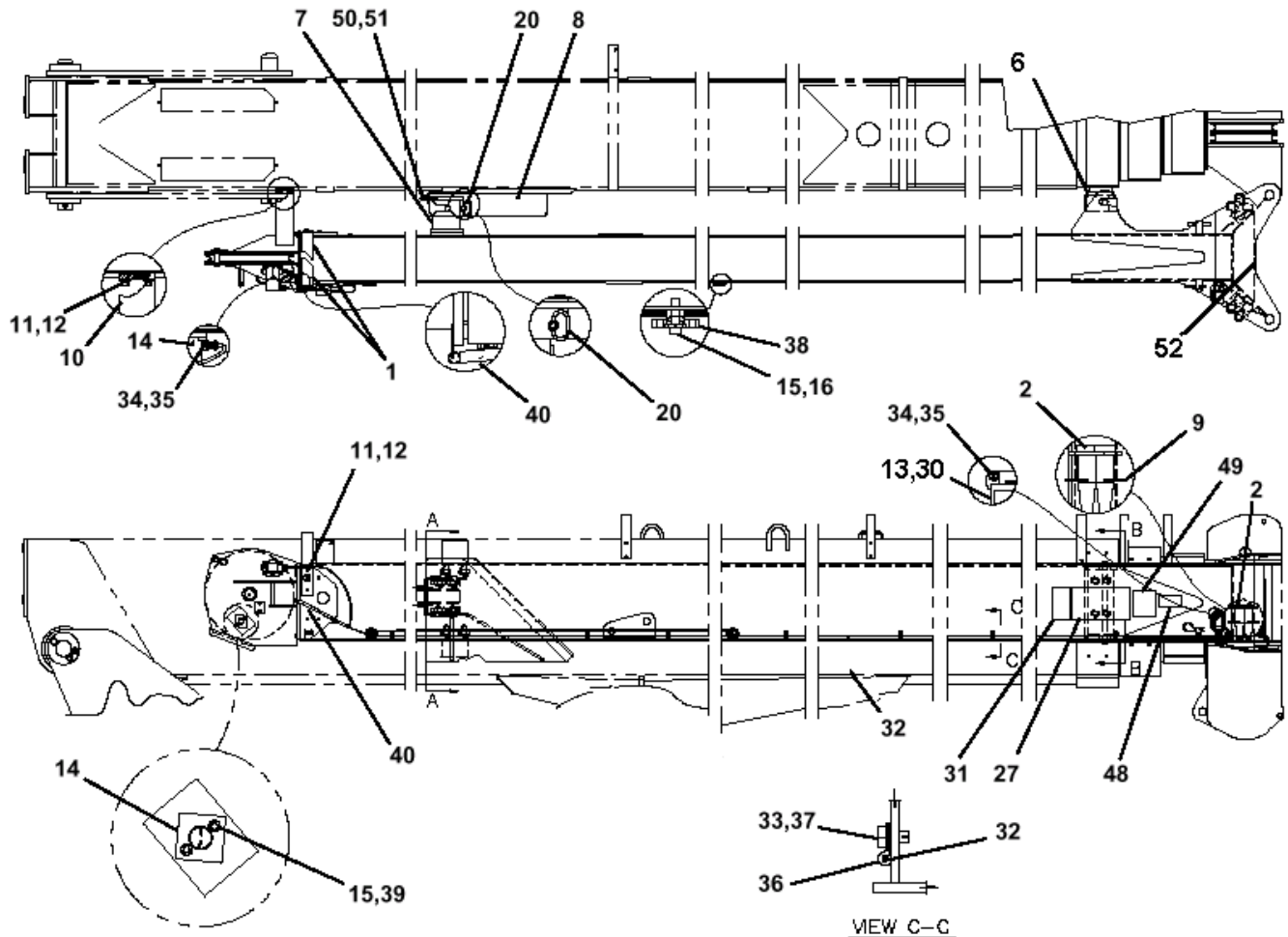
WHEN ORDERING PARTS, SPECIFY MODEL NUMBER, SERIAL NUMBER AND DESCRIPTION OF PARTS REQUIRED



**SFJ JIB ASSEMBLY
2 STAGE**

DATE: Revised 03-2006
MODEL: BT2000 Series
Page 39A.2

**GROUP
39A**



Side Folding JIB Installation

REF	PART NO.	DESCRIPTION	QTY	REF	PART NO.	DESCRIPTION	QTY
	730-50272	JIB INSTALLATION Kit, 1 (Includes Items 1 Through 58)		15	222-11002	Washer, Lock 5/16 PLTD.....8	
1	770-01738	Bracket, Cable Guide.....2		16	220-31004	Screw, SH Cap, 5/16NC x 1 1/4" Long.....2	
2	870-40186	Pin, 1 1/2Dia.....4		17	787-00226	Shim, .040.....2	
3	220-06038	Screw, Hex Head Cap 5/8NC x 1 1/4" 12		18	787-00227	Shim, .063.....2	
4	222-16003	Washer, Lock 5/8 PLTD 12		19	787-00228	Shim, .100.....2	
5	222-06006	Washer, Flat 5/8 PLTD..... 12		20	870-00152	Pin Assembly, Hitch, 7/8" Dia. x 8" Long...1	
6	770-01736	Bracket, Jib Stow Boom Tip 1		21	220-02045	Screw, Hex Head Cap 3/8NC x 7/8" Long.4	
7	770-02321	Bracket, Jib Stow.....1		22	659-00354	Placard, Striping.....18*	
8	770-02322	Bracket, Jib Stow Ramp.....1		23*		Placard, TEREX STINGER Logo.....2	
9	224-04002	Hairpin, .178.....4		24	990-50024	Side Folding Jib, Erect & Store Procedure 1	
10	770-01822	Bracket, Jib Stop.....1		25	651-00280	Placard, Person Lift Attach2	
11	222-12001	Washer, Lock 3/8 PLTD 8		26	651-00196	Placard, DANGER LANYARD ANCHOR...2	
12	220-02004	Screw, Hex Head Cap 3/8NC x 1" Long ...4		27	652-00131	Placard, SFJ Installation2	
13	400-23339	Receptacle, 6-Pin Panel Mount..... 1		28	870-20256	Pin, Jib Ramp 1 Dia.1	
14	774-00054	Bracket, ATB Switch Adapter..... 1					

WHEN ORDERING PARTS, SPECIFY MODEL NUMBER, SERIAL NUMBER AND DESCRIPTION OF PARTS REQUIRED



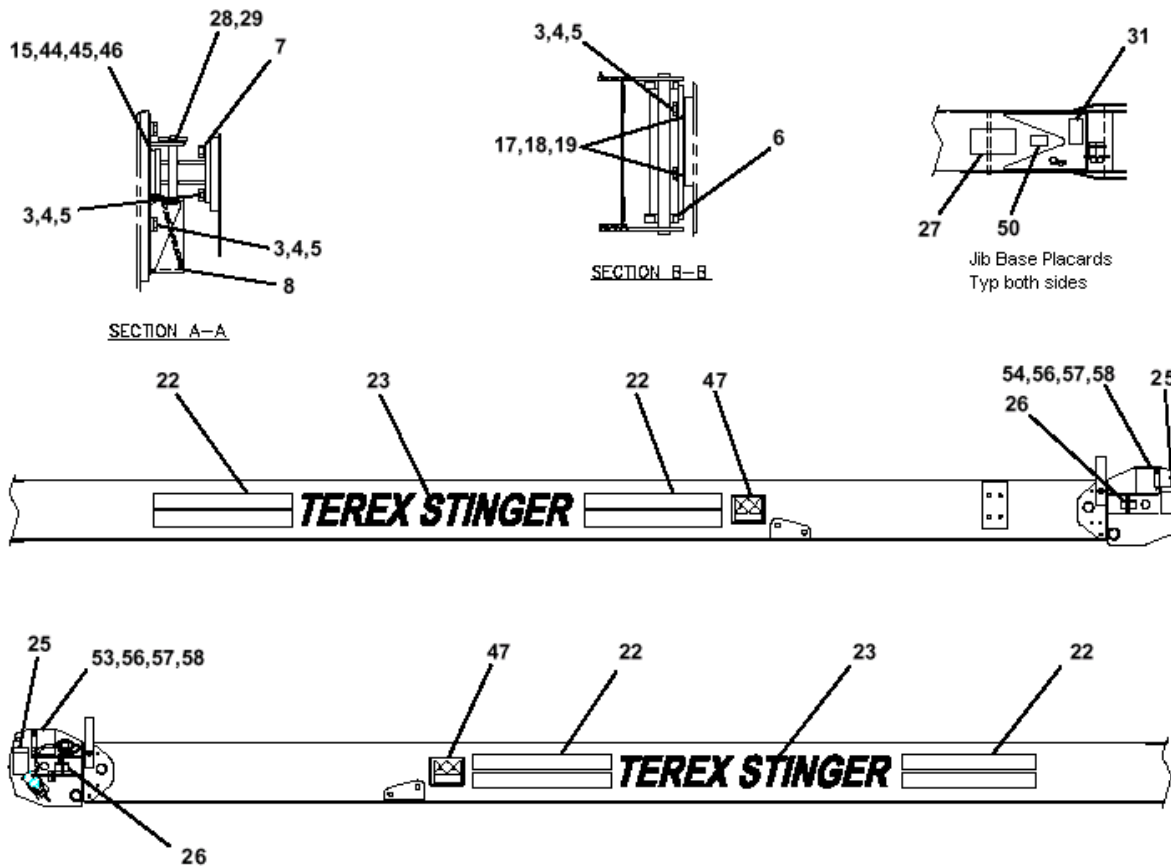
SFJ JIB INSTALLATION

DATE: Revised 03-2006

MODEL: BT2000 Series

Page 39A.3

GROUP
39A



JIB Installation

REF	PART NO.	DESCRIPTION	QTY	REF	PART NO.	DESCRIPTION	QTY
29	200-10011	Snap Ring.....	2	44	729-02611	Bracket, Jib Stow Wear Pad.....	1
30	400-23244	Female Insert, 6-Pin.....	1	45	221-01001	Nut, Hex, 5/16.....	4
31	652-00132	Placard, 2nd Stage Operation.....	2	46	223-00308	Screw, FSHM5/16NC x 1 1/2" Long.....	4
32	400-25085	Cable Assembly, ATB Jib.....	1	47*		Placard, TEREX, Logo.....	2
33	222-00006	Washer, Flat 1/4 PLTD.....	9	48	651-00327	Placard, Jib Warning.....	2
34	223-01121	Screw, RHM Slotted #10NC x 3/4" Long... 8	8	49	651-00332	Placard, Danger, Falling Jib.....	1
35	222-10006	Washer, Lock #10 PLTD.....	8	50	220-04005	Screw, Hex Head Cap 1/2NC x 1 1/2" Long2	2
36	201-00171	Clamp, 1/8 Dia. x .281 Hole.....	9	51	221-04001	Nut, Hex 1/2NC.....	2
37	223-15219	Screw, ST 1/4 x 1/2 Long.....	9	52	651-00203	Placard, Danger Side Folding Jib.....	1
38	808-00047	Knob, Hand.....	2	53	651-00159	Placard Jib Angle L/H.....	1
39	220-31007	Screw, SH Cap, 5/16NC x 5/8" Long.....	2	54	651-00160	Placard, Jib Angle R/H.....	1
40	202-10066	Spring, Cable Tensioning.....	1	55	NOT USED		
41	NOT USED			56	222-01001	Washer, Flat 3/8 PLTD.....	4
42	NOT USED			57	221-92008	Nut, Lock 3/8NC Nylon Insert.....	4
43	NOT USED			58	729-02579	Pointer, Angle.....	2

WHEN ORDERING PARTS, SPECIFY MODEL NUMBER, SERIAL NUMBER AND DESCRIPTION OF PARTS REQUIRED



SFJ JIB INSTALLATION

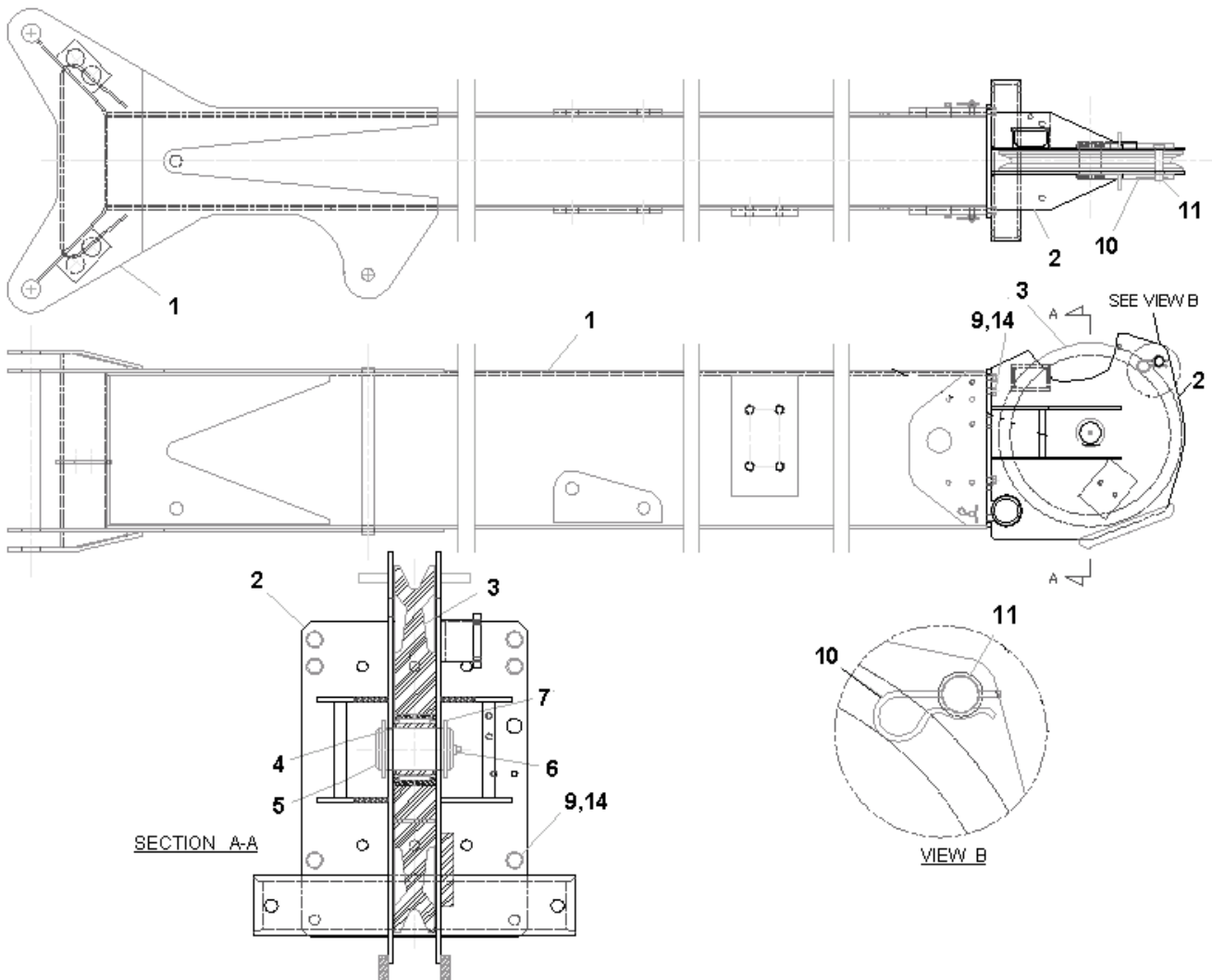
DATE: Revised 03-2006

MODEL: BT2000 Series

Page 39A.4

GROUP
39A

39B 1 STAGE SIDE FOLDING JIB 26FT



Single Stage JIB Assembly

SFJ ASSEMBLY, 1 STAGE, 26Ft. BT4792

REF	PART NO.	DESCRIPTION	QTY	REF	PART NO.	DESCRIPTION	QTY
	730-50184	SFJ Assembly, 1 Stage.....	1	7	200-30001	Ring, Retaining	2
1	730-51273	Weldment, Base Jib	1	8	220-02048	Screw, Hex Head C 3/8NC x 1 1/4" Long..-	
2	770-01987	Weldment, Jib Tip.....	1	9	222-02011	Washer, flat, 3/8.....	6
3	860-70005	Sheave, 9/16 Rope Assembly	1	10	224-02006	Hairpin, .120.....	1
4	274-30004	Bearing, Inner Race	1	11	870-10174	Pin, Clevis.....	1
5	870-50058	Pin, sheave.....	11	12	221-92001	Nut, Hex, 3/8 Toplock PLTD	-
6	501-03001	Zerk, Grease, 1/4-28UNF.....	1	13	NOT USED		
				14	220-02060	Capscrew, 3/8NC x 1 1/8.....	14

WHEN ORDERING PARTS, SPECIFY MODEL NUMBER, SERIAL NUMBER AND DESCRIPTION OF PARTS REQUIRED



**SINGLE STAGE JIB
ASSEMBLY**

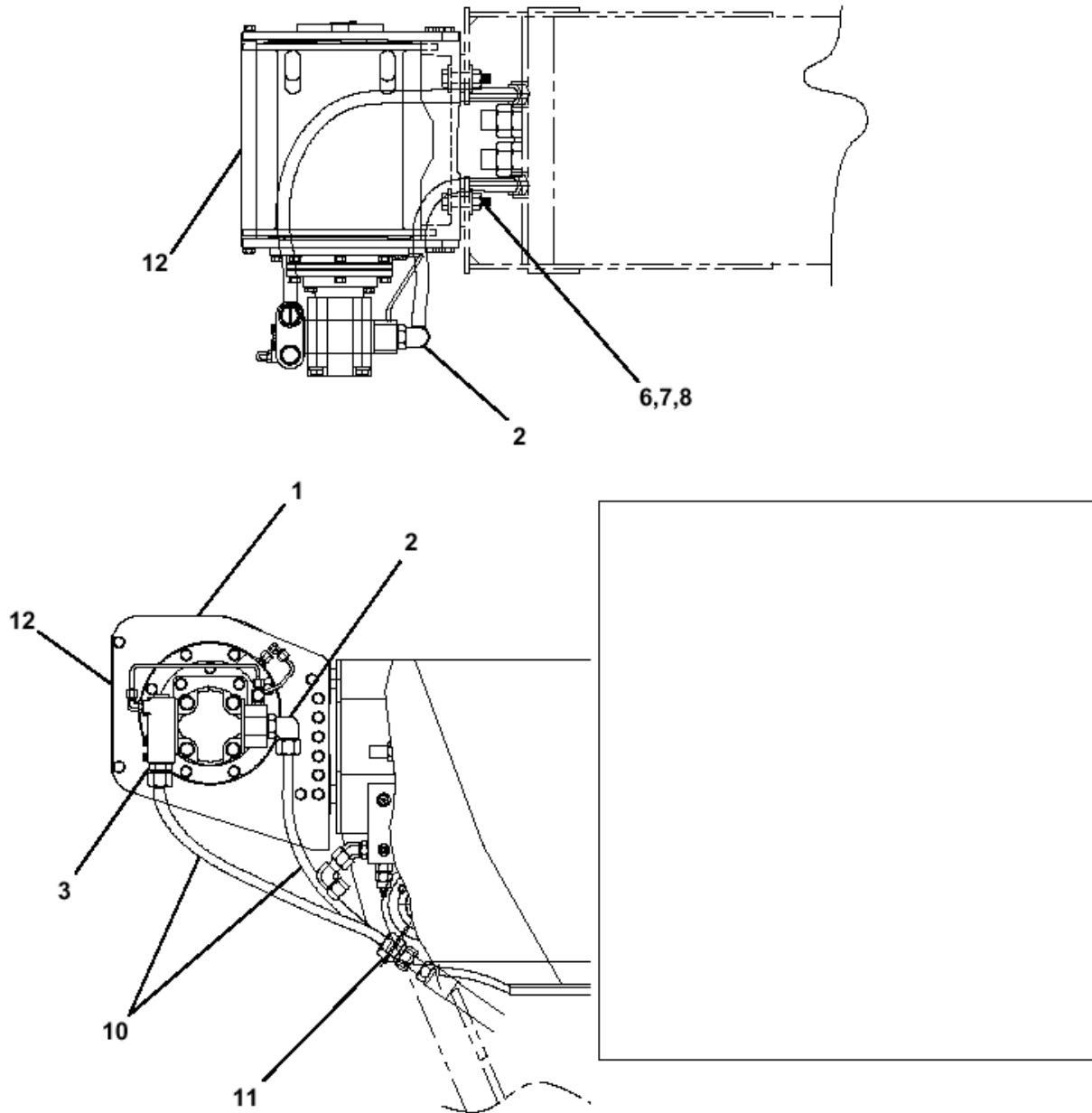
DATE: Revised 03-2006

MODEL: BT2000 Series

Page 39B.1

**GROUP
39B**

40 HYDRAULIC WINCH



Winch Installation

REF	PART NO.	DESCRIPTION	QTY	REF	PART NO.	DESCRIPTION	QTY
1	293-00037	Assembly, Winch - Braden.....	1	6	220-07051	Bolt, 3/4NC x 2 3/4" Long	4
2	514-59021	Elbow, 90 Deg.	1	7	221-97002	Nut, 3/4UNC.....	4
3	513-90032	Connector.....	1	8	222-07003	Washer, Flat 3/4.....	8
4	NOT USED			9	519-70032	Cap, 3/4", #12FNL-S.....	2
5	NOT USED			10	502-40908	Hose Assembly, Winch.....	2
				11	518-60007	Bulk Head Union, FF2700-LN-12.....	2

WHEN ORDERING PARTS, SPECIFY MODEL NUMBER, SERIAL NUMBER AND DESCRIPTION OF PARTS REQUIRED

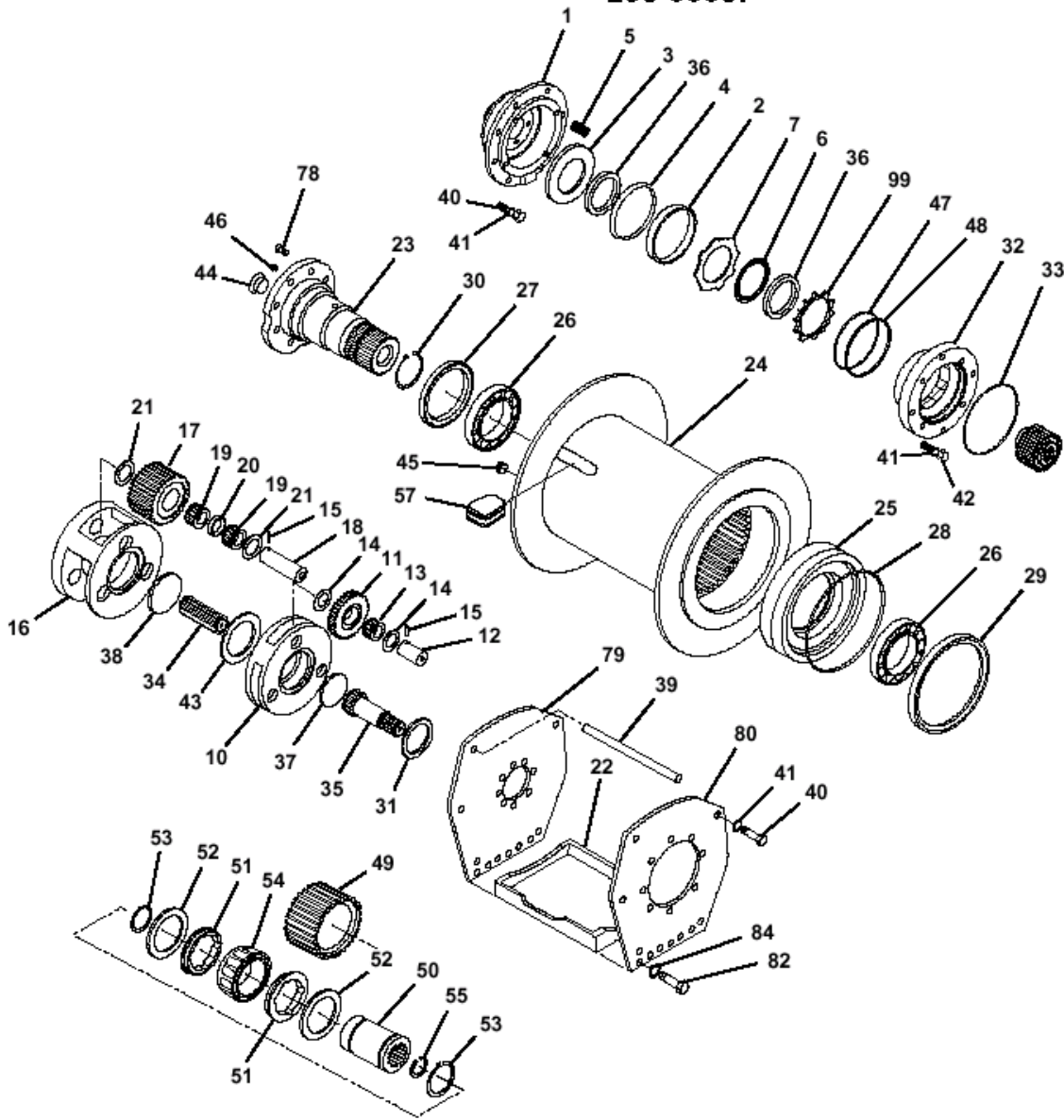


WINCH INSTALLATION

DATE: Revised 03-2006
 MODEL: BT2000 Series
 Page 40.1

GROUP
40

293-00037



Winch Assembly

REF	PART NO.	DESCRIPTION	QTY	REF	PART NO.	DESCRIPTION	QTY
1	058-00632	Brake Cylinder.....	1	13	058-00397	Bearing, Roller.....	3
2	058-00429	Seal.....	1	14	058-00398	Washer, Thrust.....	6
3	058-00430	Pressure Plate.....	1	15	058-00399	Spirol Pin, Primary Planet Carrier.....	3
4	058-00432	Backup Ring.....	1	15	085-00627	Spirol Pin Output Planet Carrier.....	3
5	058-00431	Spring.....	12	16	058-00402	Output Planet Carrier.....	1
6	058-00634	Disc, Friction.....	7	17	058-00403	Output Planet Gear.....	3
7	058-00629	Disc, Steel.....	8	18	058-00404	Output Planet Gear Shift.....	3
8	NOT USED			19	058-00405	Bearing, Roller.....	6
9	058-00576	Capscrew.....	4	20	058-00406	Bearing, Spacer.....	3
10	058-00584	Primary Planet Carrier.....	1	21	058-00407	Washer, Thrust.....	1
11	058-00585	Primary Planet Gear.....	3	22	058-00579	Base.....	1
12	058-00396	Primary Planet Gear Shift.....	3	23	058-00636	Bearing Support.....	1

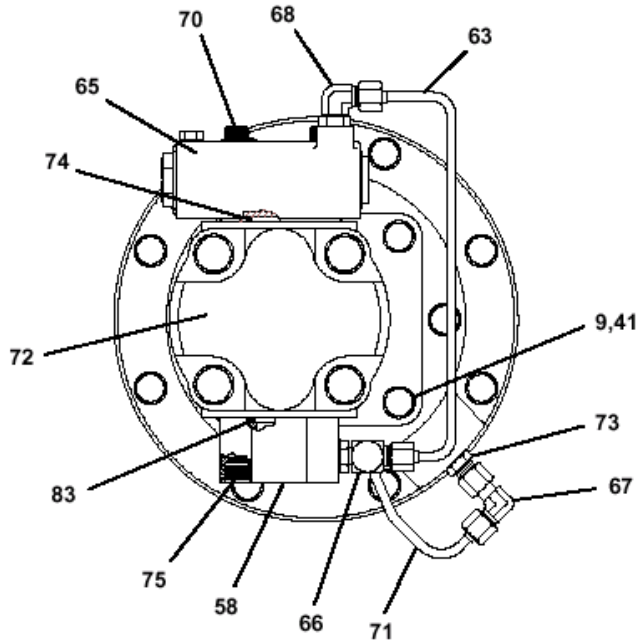
WHEN ORDERING PARTS, SPECIFY MODEL NUMBER, SERIAL NUMBER AND DESCRIPTION OF PARTS REQUIRED



WINCH ASSEMBLY

DATE: Revised 03-2006
 MODEL: BT2000 Series
 Page 40.2

GROUP
40



Brake Valve Assembly

REF	PART NO.	DESCRIPTION	QTY	REF	PART NO.	DESCRIPTION	QTY
24	058-00581	Cable Drum	1	50		Inner Brake Race	1
25	058-00582	Cable Drum Closure.....	1	51	058-00609	Sprag Bearing	2
26	058-00413	Bearing, Ball	2	52	058-00389	Washer, Thrust	2
27	058-00420	Seal	1	53	058-00390	Retaining Ring	2
28	058-00421	O-Ring Flush Plug	1	54		Sprag, Clutch	1
29	058-00487	Seal	1	55	058-00391	Retaining Ring	1
30	058-00423	Retaining ring	1	56	NOT USED		
31	058-00610	Washer, thrust	1	57	058-00639	Cable, Wedge	1
32	058-00637	Motor Support.....	1	58	058-00586	Manifold	1
33	058-00540	O-Ring.....	1	59-62	NOT USED		
34	058-00415	Output Sun Gear	1	63	058-00644	Tube (Brake Valve To Manifold)	1
35	058-00416	Primary Sun Gear.....	1	65	058-00085	Brake Valve Assembly	1
36	058-00433	Spacer.....	1	66	058-00646	Tee.....	1
37	058-00400	Primary Thrust Plate.....	1	67	058-00591	Adapter, 90 Deg.....	1
38	058-00408	Output Thrust Plate	1	68	058-00593	Adapter, 90 Deg.....	1
39	058-00444	Spacer, Bar	2	70	058-00647	Capscrew	4
40	058-00568	Capscrew	14	71	058-00589	Tube, (Manifold to Brake Release)	1
41	058-00034	Washer, Lock	22	72	058-00109	Hydraulic Motor.....	1
42	058-00565	Capscrew	4	73	058-00590	Adapter, Straight.....	1
43	058-00611	Washer, Lock	1	74	058-00586	O-Ring.....	1
44	058-00595	O-Ring Flush Plug	1	75	058-00547	Capscrew	4
45	058-00426	O-Ring, Flush Plug.....	1	79	058-00598	Side Plate, Support End.....	1
46	058-00608	Plug, Vent.....	1	80	058-00599	Side Plate, Motor End	1
47	058-00434	O-Ring.....	1	82	058-00440	Capscrew	8
48	058-00435	Backup Ring.....	1	83	058-00546	O-Ring.....	2
	058-00597	Brake Clutch Assembly		84	058-00607	Washer, Lock.....	8
		(Items 49 thru 55)	1	85*	058-00712	Back Cover	1
49		Outer Brake Race.....	1	99	058-00643	Spring, Cover.....	1
				100		Housing.....	1

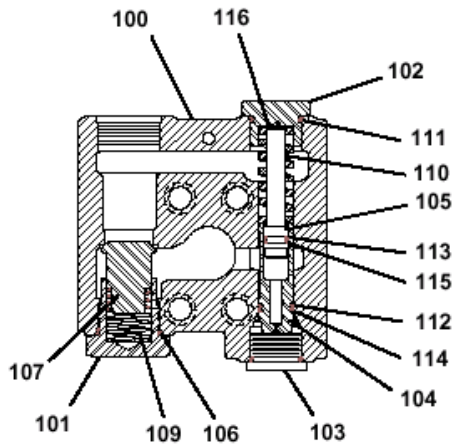
WHEN ORDERING PARTS, SPECIFY MODEL NUMBER, SERIAL NUMBER AND DESCRIPTION OF PARTS REQUIRED



WINCH ASSEMBLY

DATE: Revised 03-2006
 MODEL: BT2000 Series
 Page 40.3

GROUP
40



BRAKE VALVE ASSEMBLY

REF	PART NO.	DESCRIPTION	QTY	REF	PART NO.	DESCRIPTION	QTY
101	058-00648	Spring, Retainer	1	109	058-00653	Check Valve Spring	1
102	058-00649	Spring, Retainer	1	110	058-00654	Spool, Spring	1
103	058-00650	Plug, (With O-Ring	1	111	058-00655	O-Ring.....	1
104		Spool	1	112	058-00656	O-Ring.....	1
105		Damper Piston.....	1	113	058-00657	O-Ring.....	1
106	058-00651	O-Ring.....	1	114	058-00658	Backup Ring.....	1
107		Check Valve Poppet.....	1	115	058-00659	Backup Ring.....	1
108*	058-00652	Pilot Orifice	1	116	058-00660	Valve Spring Shim	AR

*ITEM NOT SHOWN

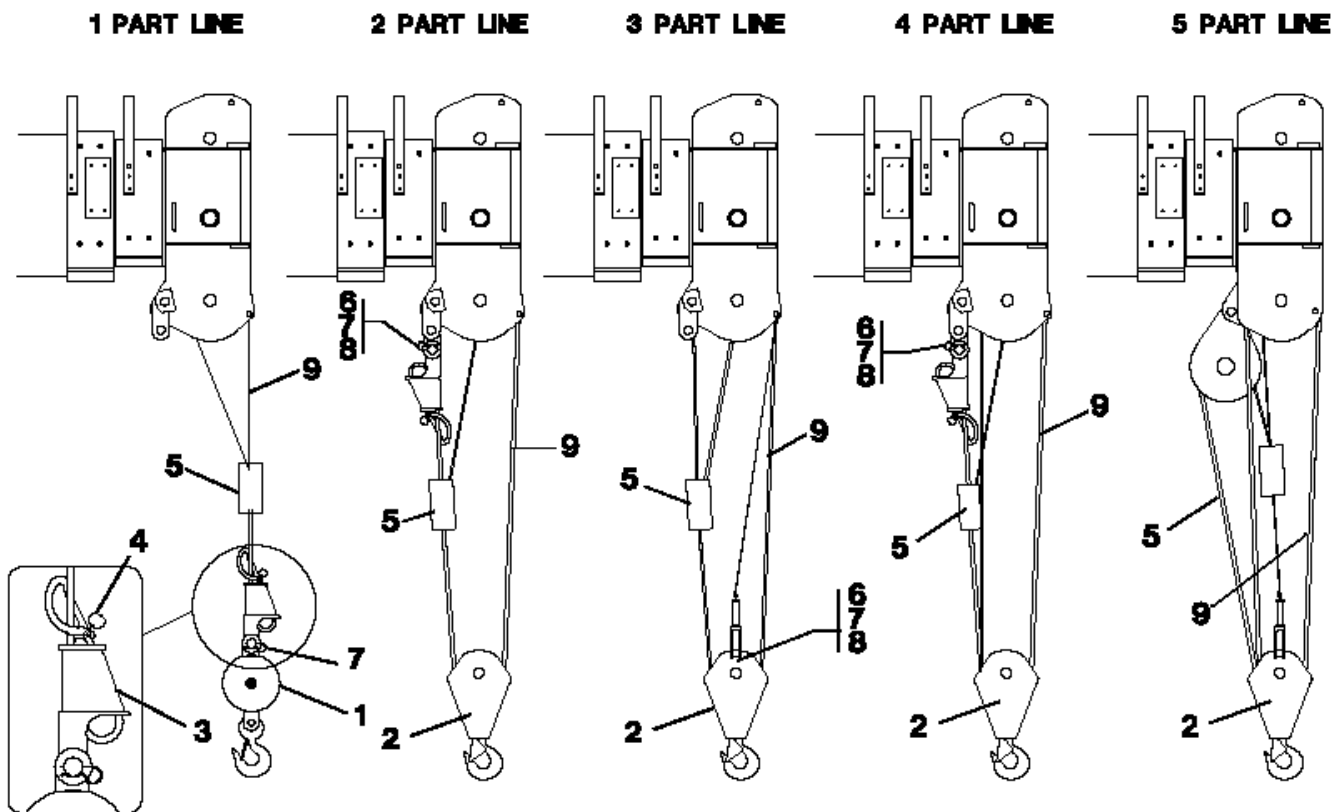
WHEN ORDERING PARTS, SPECIFY MODEL NUMBER, SERIAL NUMBER AND DESCRIPTION OF PARTS REQUIRED



WINCH ASSEMBLY

DATE: Revised 03-2006
 MODEL: BT2000 Series
 Page 40.4

GROUP
40



Wire, Rope, Reeving

REF	PART NO.	DESCRIPTION	QTY	REF	PART NO.	DESCRIPTION	QTY
1	861-60090	Ball and Hook, Swivel, 7 Ton	1	4	861-90059	Clamp.....	1
*	861-90367	Ball and Hook, Non-Swivel 7 Ton.....	1	5	205-00033	Weight and Chain Anti-2Block	1
2	861-60024	Load Block, 17 Ton 3 Part Line.....	1	6	870-30200	Pin, 1 1/4 x 5 1/4" Long.....	1
	861-60025	Load Block, 22 Ton 3, 4, and 5 Part Line ..	1	7	224-04002	Hairpin.....	1
	861-60033	Load Block, 17.5 Ton 4 Part Line	1	8	224-04001	Pin, Cotter	1
	861-60029	Load Block, 17.5 Ton 2, 3 Part Line	1	9	861-16085	Wire rope, Spin Resistant, 9/16 x 315'.....	1
	861-60028	Load Block, 22.5 Ton 4 and 5 Part Line	1		861-16089	Wire Rope, 6 x 25 IWRC, 9/16 x 315'.....	1
3	861-90296	Wedge and Socket 9/16.....	1	10	735-00001	Sheave, Auxiliary	1

*USE WITH 861-16089

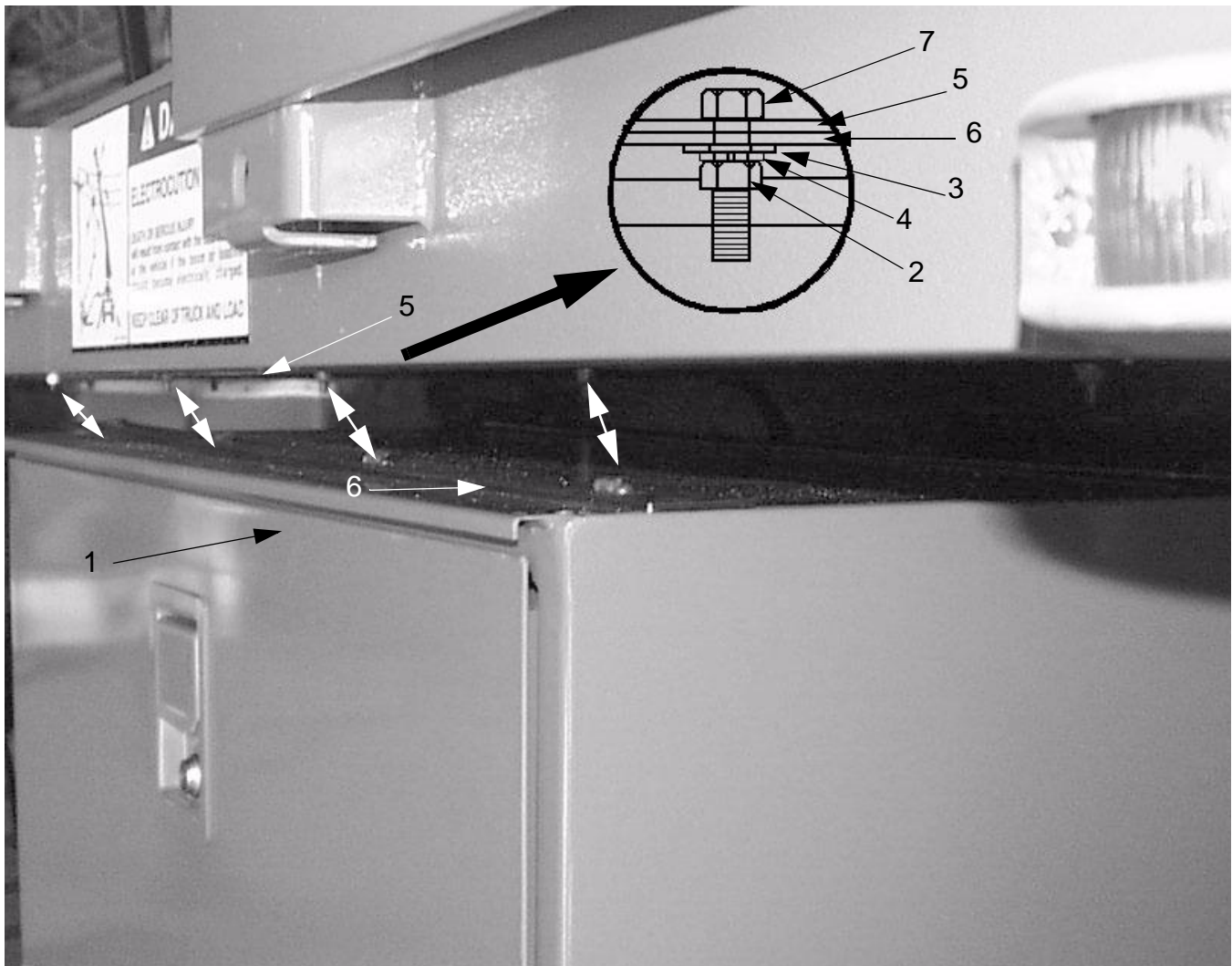
WHEN ORDERING PARTS, SPECIFY MODEL NUMBER, SERIAL NUMBER AND DESCRIPTION OF PARTS REQUIRED



WIRE, ROPE, REEVING

DATE: Revised 03-2006
 MODEL: BT2000 Series
 Page 45.1

**GROUP
45**



Tool Box Installation

REF	PART NO.	DESCRIPTION	QTY	REF	PART NO.	DESCRIPTION	QTY
1	600-32312	Tool Box, 36 x 18 x 19.....	1	4	222-12001	Washer, Lock 3/8 PLTD.....	8
2	221-02001	Nut Hex Head 3/8NC.....	8	5	770-02206	Utility Box Stud Bar.....	2
3	222-02008	Washer, Flat 3/8 PLTD.....	8	6	783-03386	Utility Box, Back-Up.....	2
				7	220-02048	Bolt, HH 3/8 NC 1 1/2.....	8

WHEN ORDERING PARTS, SPECIFY MODEL NUMBER, SERIAL NUMBER AND DESCRIPTION OF PARTS REQUIRED

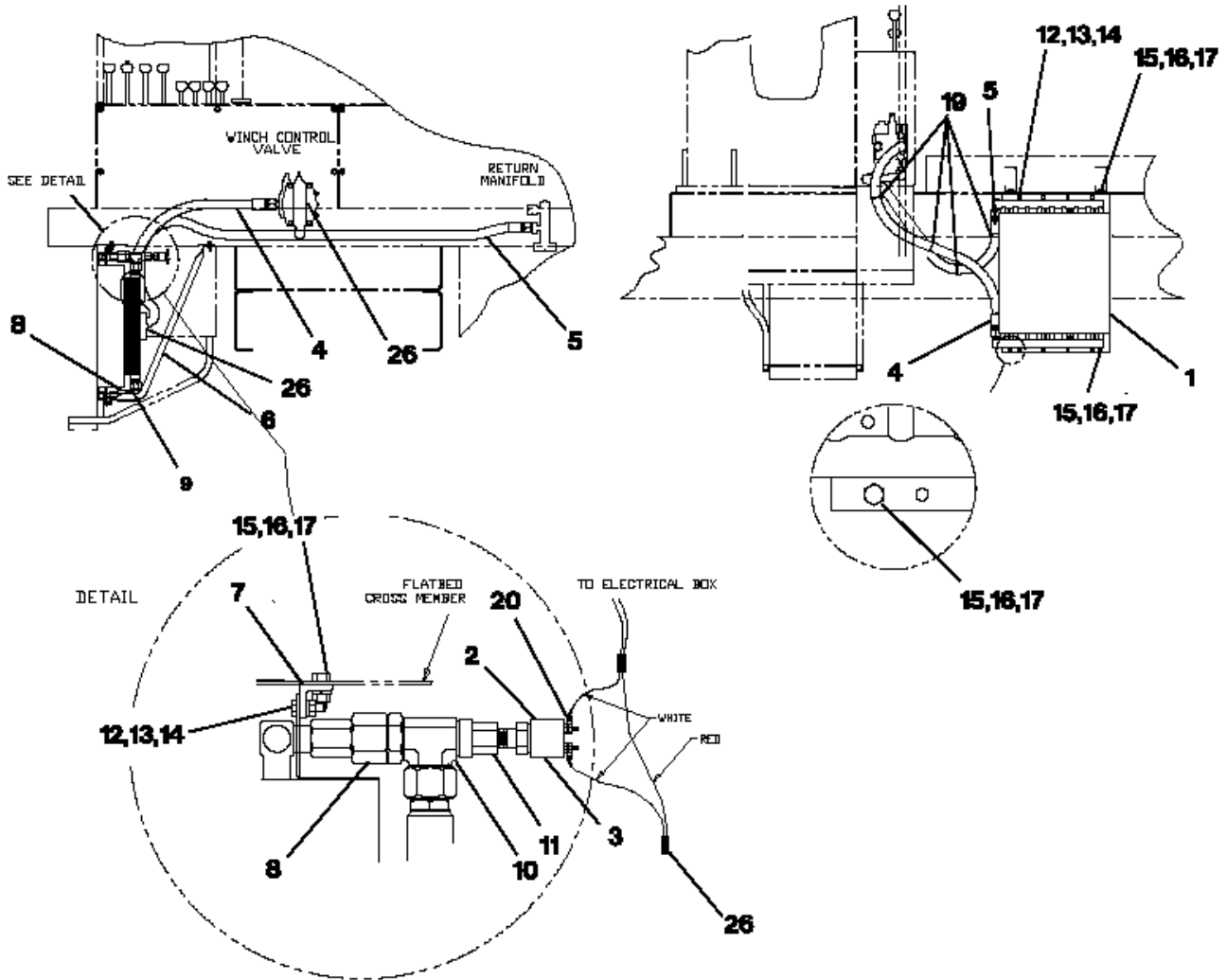


TEREX

TOOL BOX INSTALLATION

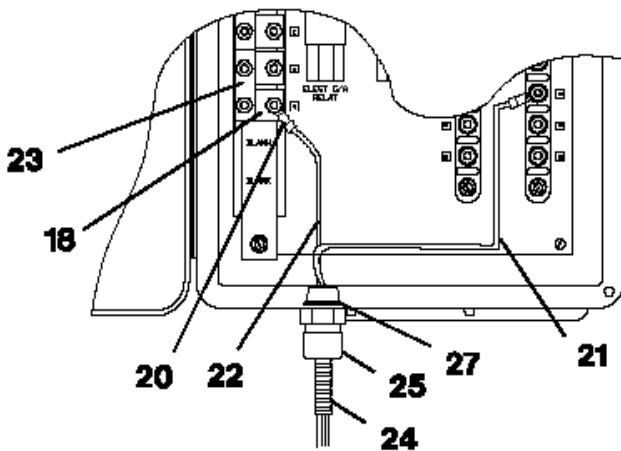
DATE: Revised 03-2006
 MODEL: BT2000 Series
 Page 51.1

GROUP
51



Oil Cooler Installation

REF	PART NO.	DESCRIPTION	QTY
1	400-05505	Cooler, Oil	1
2	400-05506	Switch, Thermal, 160 Deg.....	1
3	400-05203	Switch, Boot	1
4	502-50316	Hose Assembly, Cooler Supply	1
5	502-50317	Hose Assembly	1
6	782-01269	Support, Oil Cooler	2
7	785-01481	Angle, Cooler Support.....	1
8	517-90006	Adapter, 16 FOR x 1 MPT	2
9	514-59021	Elbow, 90 Deg. 16 OFS	1
10	516-89013	Tee, special run	1
11	517-00045	Adapter, 6 FP x 10 ORB	1
12	220-01005	Screw, Cap, 5/16-18 x 1" Long	1
13	222-11002	Washer, Lock 5/16.....	4
14	221-01001	Nut, Hex 5/16-18.....	4
15	220-02004	Screw, Cap, 3/8-16 x 1" Long	4
16	222-12001	Washer, Lock 3/8.....	6
17	221-02001	Nut, Hex 3/8-16.....	6
18	400-10011	Circuit Breaker 20 Amp.....	1



Main Electrical Box

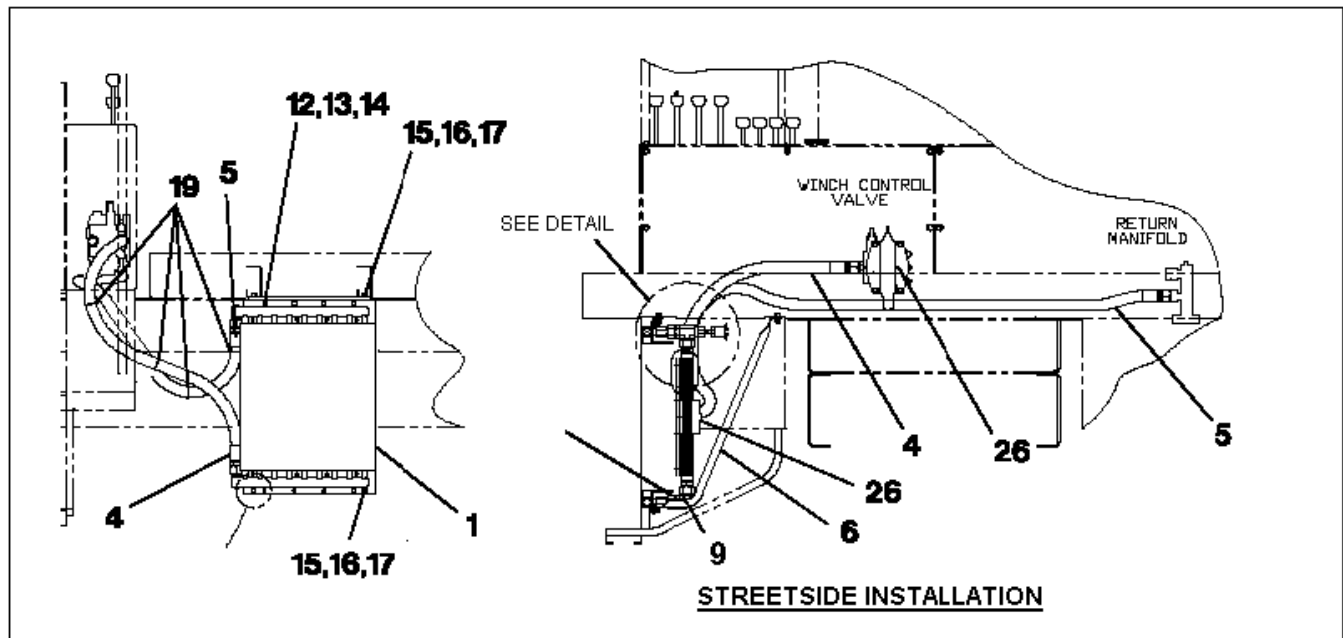
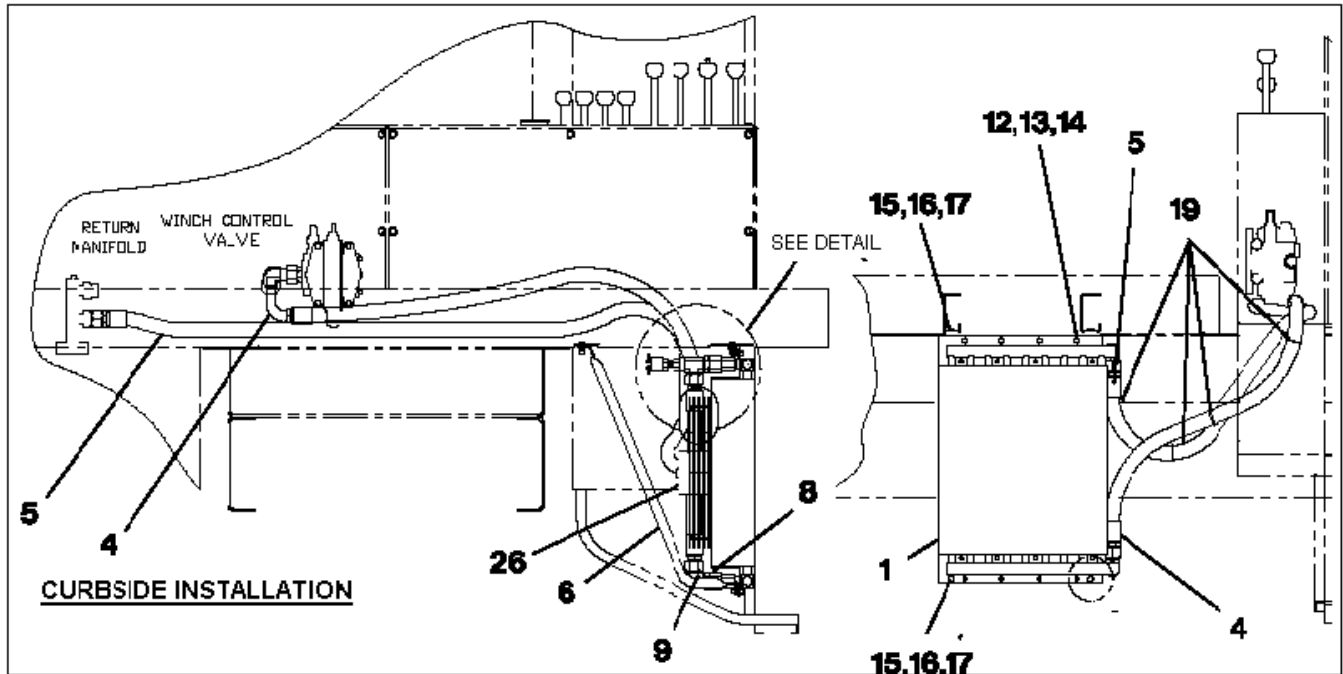
WHEN ORDERING PARTS, SPECIFY MODEL NUMBER, SERIAL NUMBER AND DESCRIPTION OF PARTS REQUIRED



**OIL COOLER
INSTALLATION**

DATE: Revised 03-2006
 MODEL: BT2000 Series
 Page 51.2

**GROUP
51**



Oil Cooler Installation

REF	PART NO.	DESCRIPTION	QTY	REF	PART NO.	DESCRIPTION	QTY
19	400-15086	Wrap Tie, 7 7/16.....	10	24	400-01411	Loom, 1/4 Split.....	35'
20	400-02337	Ring, Terminal 10-15/14 GA.....	4	25	400-05508	Strain Relief, 1/2" Hub	1
21	400-01569	Wire, Flame Retardant, White 14 Ga.	10'	26	400-02343	Connector, Butt 14/16 HS.....	2
22	400-01537	Wire, Flame Retardant, Red 14 Ga.....	10'	27	400-15054	Nut, Hub, 1/2"	1
23	400-01477	Buss Bar, 2 Gang.....	1				

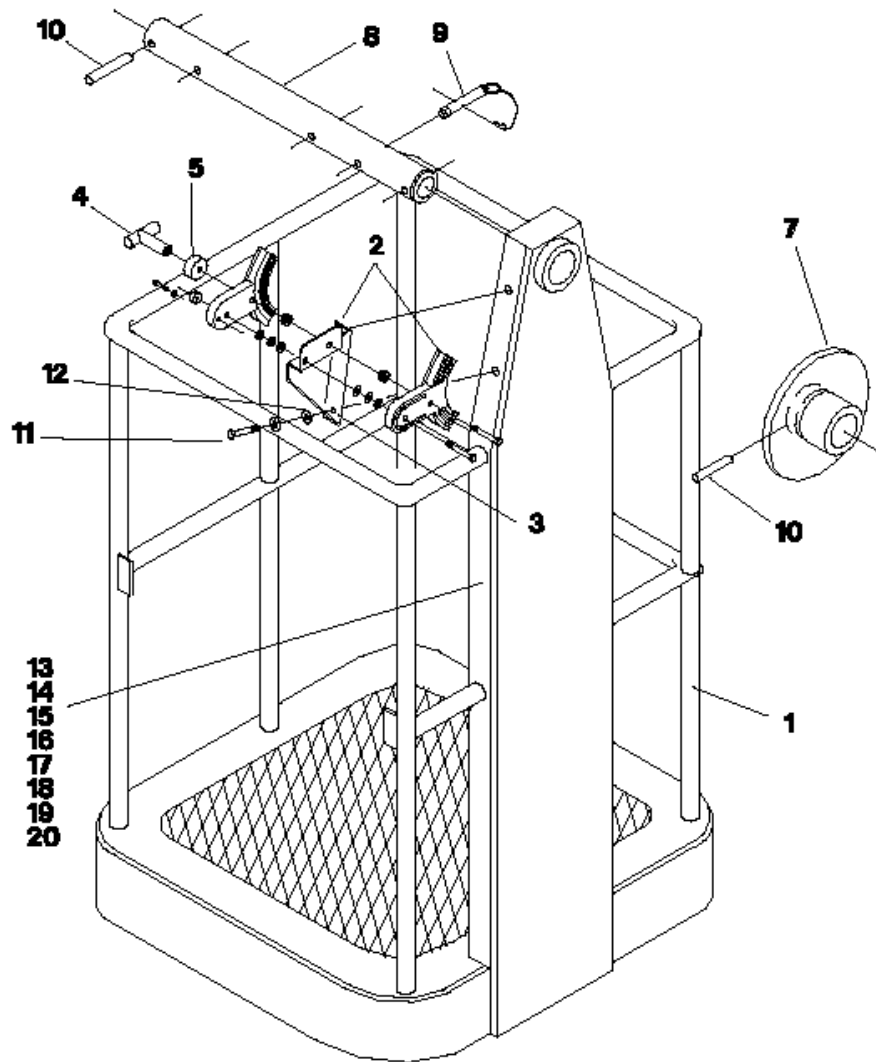
WHEN ORDERING PARTS, SPECIFY MODEL NUMBER, SERIAL NUMBER AND DESCRIPTION OF PARTS REQUIRED



**OIL COOLER
INSTALLATION**

DATE: Revised 03-2006
 MODEL: BT2000 Series
 Page 51.3

**GROUP
51**



1 Person Steel Platform Assembly

REF	PART NO.	DESCRIPTION	QTY	REF	PART NO.	DESCRIPTION	QTY
*	730-20413	1 Person Steel Platform Assembly.....	Ref	*	651-00355	Placard Kit.....	1
1	730-20413	Platform, 1 Person Steel Weldment.....	1	13*	651-00202	Placard, Attachment Instructions.....	1
2	730-20114	Brake, Disc Sub-Assembly.....	1	14*	651-00060	Operating.....	1
3	770-00995	Brake Bracket.....	1	15*	651-00191	Placard, Operator Training.....	1
4	730-20009	Brake, Gravity Handle.....	1	16*	651-00187	Placard, Electrocution Hazard.....	1
5	222-01003	Washer, Flat.....	1	17*	651-00203	Placard, Side Folding Jib Work Platform ...	1
6	730-20013	Brake, Disc.....	1	18*	651-00335	Placard, Falling From Platform.....	1
7	730-20064	Brake, Disc Weldment.....	1	19*	652-00496	Placard, Crane Hand Signals.....	1
8	870-60206	Pin, 2 x 1/2X x 21 1/16" Long.....	1	20*	654-00594	Placard, Basket Identification.....	1
9	870-00131	Pin, Hitch Assembly.....	1	21**	209-00434	Lanyard, Aerial Shock Absorber.....	1
10	224-19004	Pin, Roll, 1/2 x 3" Long.....	2	22**	209-00809	Harness, Safety.....	1
11	220-02004	Bolt, Hex Head 3/8 x 1" Long.....	2	23**	666-10001	Flag, ATB Bypass.....	1
12	222-12001	Washer, Lock 3/8.....	2				

*ITEM NOT SHOWN

**ITEM INCLUDED IN 731-20001

WHEN ORDERING PARTS, SPECIFY MODEL NUMBER, SERIAL NUMBER AND DESCRIPTION OF PARTS REQUIRED



1 PERSON STEEL PLATFORM ASSEMBLY

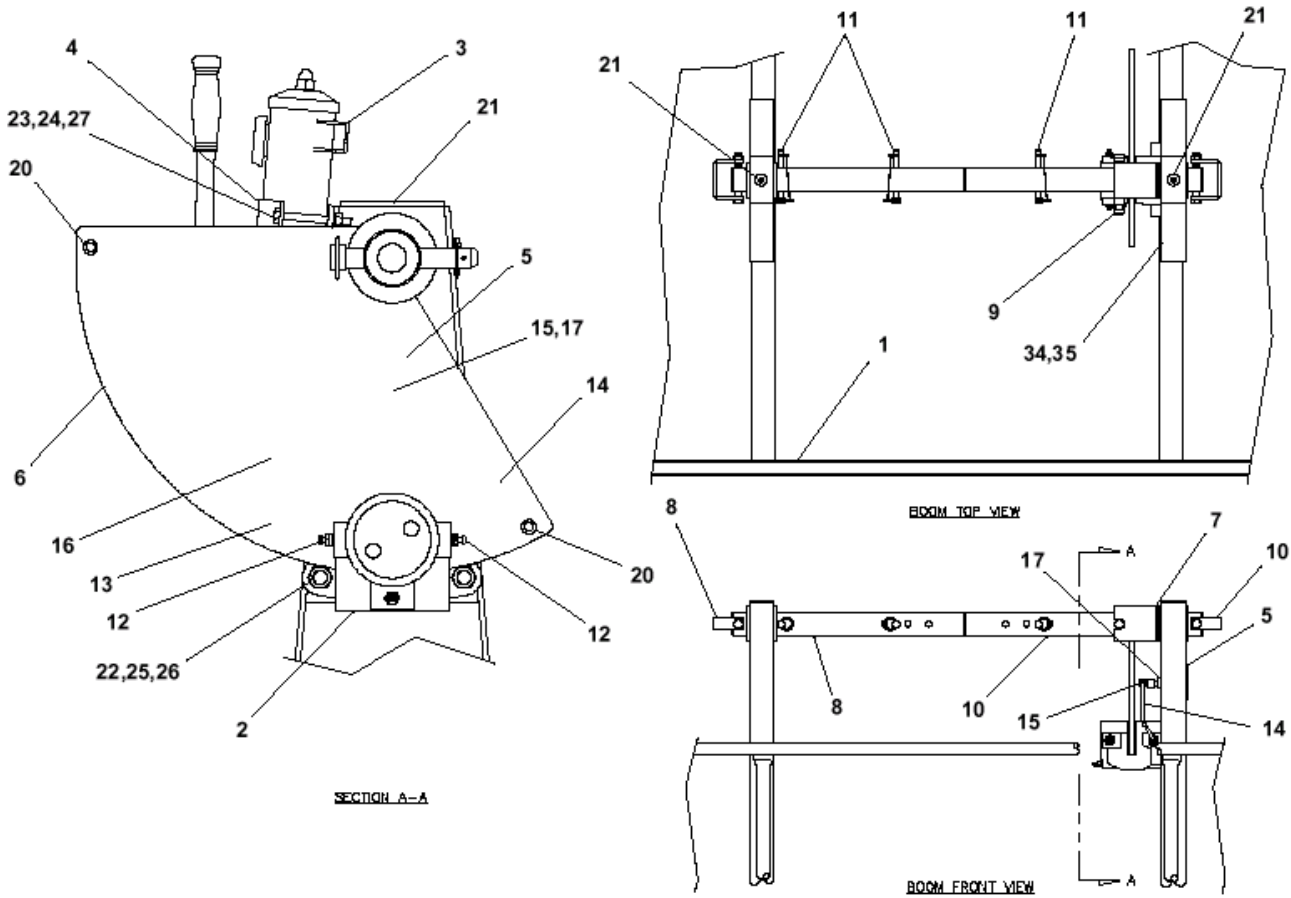
DATE: Revised 03-2006

MODEL: BT2000 Series

Page 51.4

GROUP

51



2 Person Steel Platform Assembly

REF	PART NO.	DESCRIPTION	QTY	REF	PART NO.	DESCRIPTION	QTY
*	730-20408	2 Person Steel Assembly	Ref	13	510-20447	Tube Assembly, Brake Pump	1
1	730-20410	2 Person Steel Platform Weldment	1	14	510-20448	Tube Assembly, Brake Pump	1
2	559-00055	Brake, Hydraulic	1	15	514-62001	Elbow, 90 Deg	1
3	559-00056	Pump, Hand	1	16	513-20001	Connector, Straight	1
4	771-00128	Bracket, Hand Pump	2	17	513-20006	Connector, Straight	1
5	600-40280	Gauge	1	18	730-20409	Door, Swing Away Weldment	1
6	730-20338	Disc, Weldment	1	19	870-80013	Pin, Latch	2
7	222-29011	Bushing, 3 x 2 - 14 Ga	4	20	224-19017	Pin, Roll 1/2 x 1 1/4" Long	2
8	870-60222	Pin, Pivot RH	1	21	501-03001	Grease Fitting, Straight	2
9	870-00149	Pin, Disc Locking Assembly	1	22	220-04011	Bolt, 1/2 x 4" Long	2
10	870-60220	Pin, Pivot LH	1	23	220-00005	Bolt, 1/4 x 2 1/2" Long	4
11	870-00131	Pin, Bucket Assembly	3				
12	513-20002	Connector, Straight	2				

*ITEM NOT SHOWN

**ITEM INCLUDED IN 731-30010

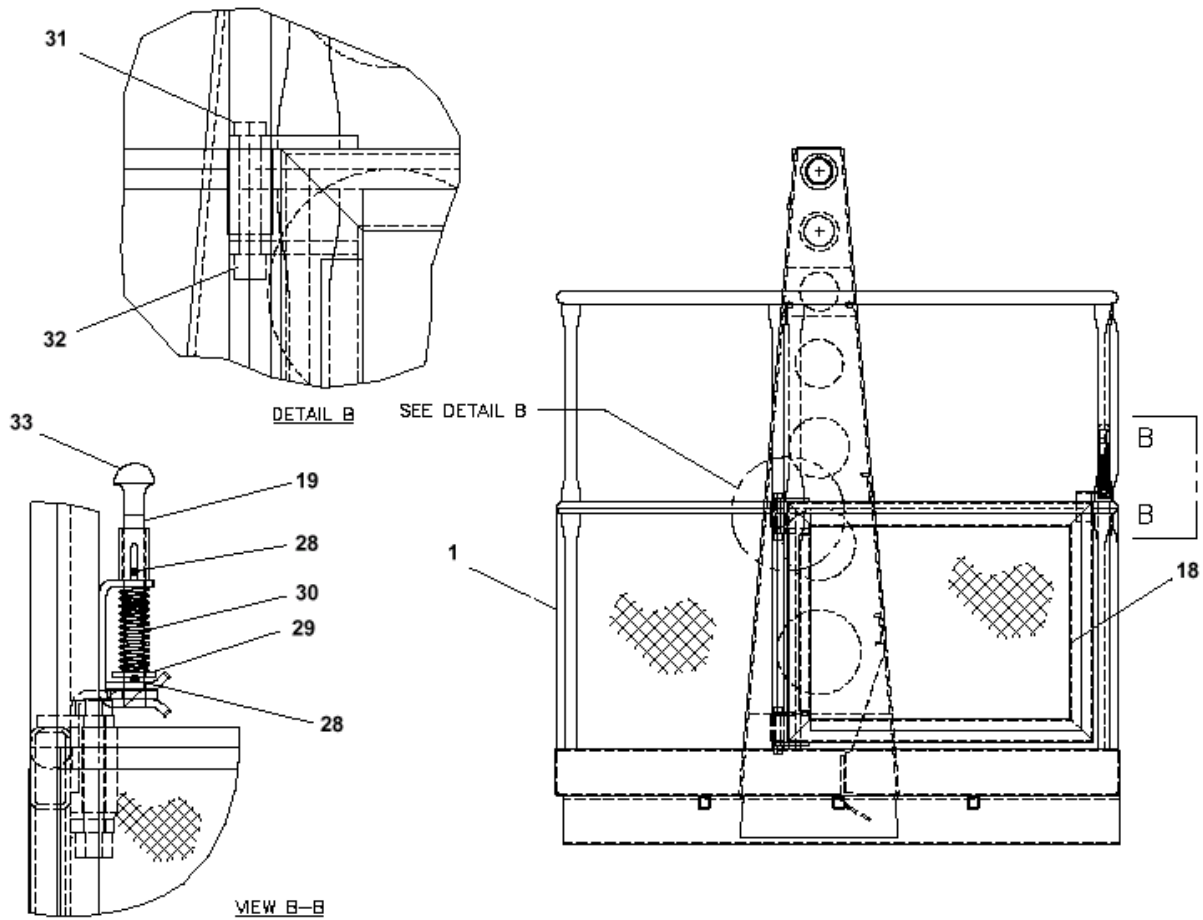
WHEN ORDERING PARTS, SPECIFY MODEL NUMBER, SERIAL NUMBER AND DESCRIPTION OF PARTS REQUIRED



2 PERSON STEEL PLATFORM ASSEMBLY

DATE: Revised 03-2006
 MODEL: BT2000 Series
 Page 51.5

GROUP
51



2 Person Steel Platform Assembly

RREF	PART NO.	DESCRIPTION	QTY	REF	PART NO.	DESCRIPTION	QTY
24	222-10005	Washer, Lock 1/4	4	34*	651-00202	Placard, Attachment Instructions	1
25	222-14003	Washer, Lock 1/2	2	35*	651-00060	Operating	1
26	221-04001	Nut, Hex, 1/2	2	36*	651-00191	Placard, Operator Training	1
27	221-00001	Nut, Hex, 1/4	2	37*	651-00187	Placard, Electrocutation Hazard	1
28	224-12009	Pin, Roll, 1/8 x 1" Long	2	38*	651-00203	Placard, Side Folding Jib Work Platform	1
29	222-04011	Washer, Flat, 1/2ID x 1/16OD	1	39*	651-00335	Placard, Falling From Platform	1
30	202-10077	Spring, Compression	1	40*	652-00496	Placard, Crane Hand Signals	1
31	220-04025	Screw, Hex Head, 1/2NC x 3 1/2" Long	2	41*	654-00594	Placard, Basket Identification	1
32	221-94002	Nut, 1/2NC PLT	2	42**	209-00434	Lanyard, Aerial Shock Absorber	1
33	808-00031	Knob, Push-Pull	1	43**	209-00809	Harness, Safety	1
*	651-00355	Placard Kit	1	44**	666-10001	Flag, ATB Bypass	1

*ITEM NOT SHOWN

**ITEM INCLUDED IN 731-30010

WHEN ORDERING PARTS, SPECIFY MODEL NUMBER, SERIAL NUMBER AND DESCRIPTION OF PARTS REQUIRED



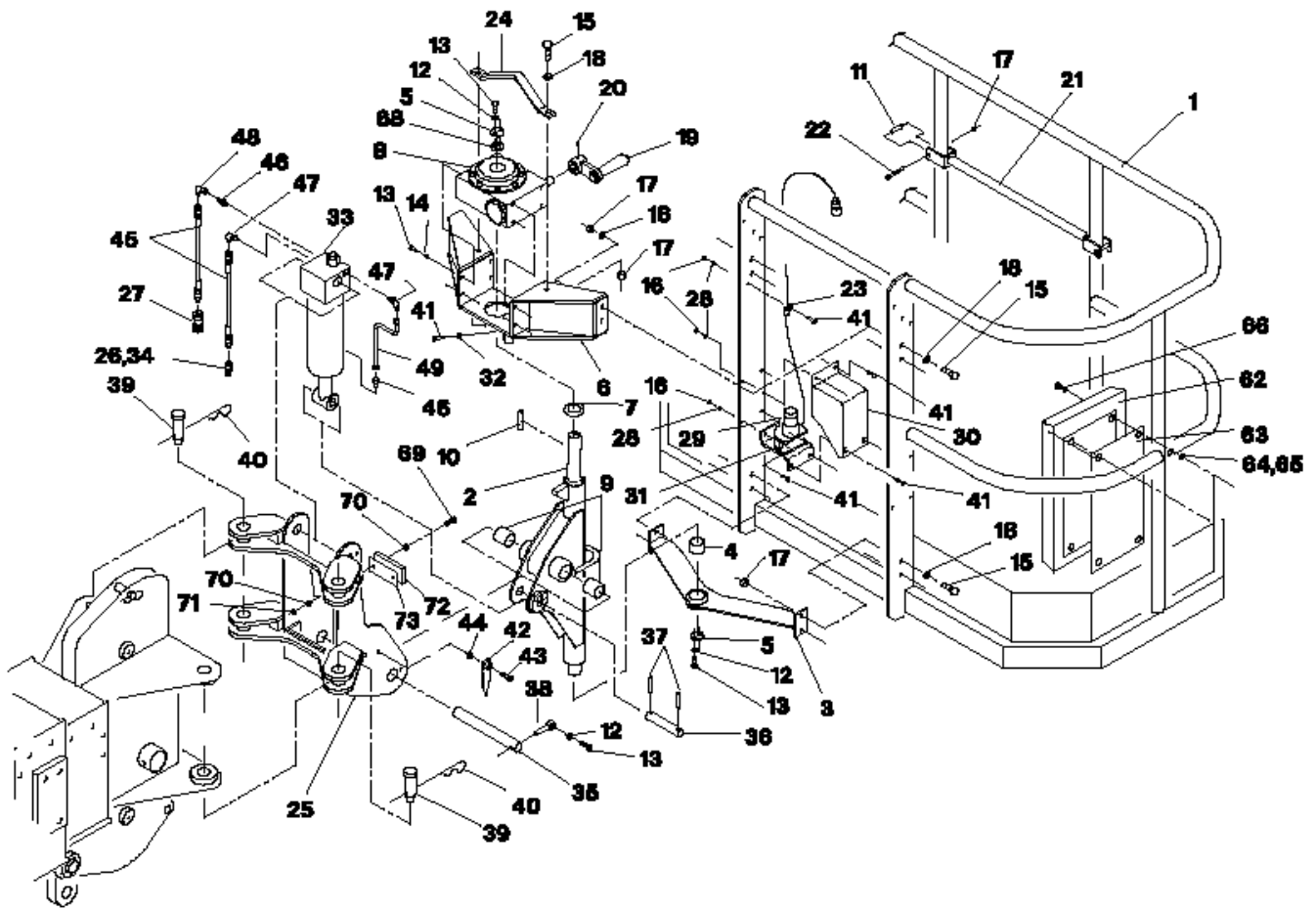
2 PERSON STEEL PLATFORM ASSEMBLY

DATE: Revised 03-2006

MODEL: BT2000 Series

Page 51.6

GROUP
51



Self Leveling Platform Installation

REF	PART NO.	DESCRIPTION	QTY	REF	PART NO.	DESCRIPTION	QTY
*	730-20299	Self-Leveling Platform Assembly.....	Ref	21	730-20233	Gate, Gravity Weldment.....	1
1	730-20222	Platform, 36 x 72 Weldment.....	1	22	220-00011	Bolt, Hex Head 1/4 x 2 1/4" Long.....	2
2	730-20205	Pylon Weldment.....	1	23	201-00141	Clamp, tube.....	1
3	770-01541	Mount, Lower Weldment.....	1	24	773-00019	Bracket, Lifting.....	1
4	271-14016	Bushing.....	1	25	730-20297	Bracket, Mounting SLP Weldment.....	1
5	222-50066	Washer, Retainer.....	2	26	501-04150	Quick Disconnect, Nipple.....	2
6	773-00014	Mount, Rotation Weldment, SLP.....	1	27	501-04151	Quick disconnect, Dust Cap.....	2
7	730-20407	Spacer, Rotation.....	1	28	222-00006	Washer, Flat, Med. 1/4.....	17
8	280-00513	Gearbox, Rotator.....	1	29	400-00449	Leveler, PQ Modification.....	1
9	271-13006	Bushing.....	2	30	770-01680	Cover, Leveler Weldment.....	1
10	204-00030	Key, Square 3/8 x 2 1/2.....	1	31	770-01681	Bracket, Auto Leveler.....	1
11	031-00034	Tube, 7/16 x 1 1/2" Long.....	2	32	221-00001	Nut, Hex 1/4 PLTD.....	2
12	222-12001	Washer, Lock Med. 3/8.....	6	33	540-30135	Cylinder, SLP.....	1
13	220-02004	Bolt, Hex Head, 3/8 x 1" Long.....	14	34	400-15169	Heat Shrink Tube, 1".....	5
14	222-02011	Washer, Flat, 3/8 Hardened.....	8	35	870-30204	Pin, 1 1/4 x 10" Long.....	2
15	220-04007	Bolt, Hex Head 1/2 x 1 3/4" Long PLTD.....	10	36	870-20217	Pin, 1 x 5 3/16" Long.....	1
16	221-90001	Nut, Toplock, 1/4 PLTD.....	21	37	224-18003	Pin, Roll, 3/8 x 2" Long.....	2
17	221-94006	Nut, Toplock, 1/2 PLTD.....	13	38	224-25005	Pin, Rod End.....	2
18	222-04001	Washer, Flat Med. 1/2.....	14	39	870-40186	Pin, Jib 1 1/2 Dia.....	4
19	807-00035	Crank, Rotator Assembly.....	1	40	224-04002	Pin, Cotter 3/16.....	4
20	225-00011	Setscrew, 1/4 x 3/8" Long.....	1				

WHEN ORDERING PARTS, SPECIFY MODEL NUMBER, SERIAL NUMBER AND DESCRIPTION OF PARTS REQUIRED



SELF LEVELING PLATFORM INSTALLATION

DATE: Revised 03-2006

MODEL: BT2000 Series

Page 51.7

GROUP

51

<u>REF</u>	<u>PART NO.</u>	<u>DESCRIPTION</u>	<u>QTY</u>	<u>REF</u>	<u>PART NO.</u>	<u>DESCRIPTION</u>	<u>QTY</u>
41	220-00001	Bolt, Hex Head 1/4 x 1' Long PLTD	11	58*	651-00235	Placard, 2 Person SLP	1
42	729-02579	Pointer, Angle Assembly	2	59*	651-00203	Placard, Danger, Remove SFJ	2
43	220-03004	Bolt, 7/16 x 1 1/4" Long PLTD	2	60*	651-00335	Placard, Falling From Platform	1
44	221-03001	Nut, Hex, 7/16 PLTD	2	61*	652-00496	Placard, Crane Hand Signals	1
45	502-11016	Hose Assembly, SLP Tilt	2	62	110-85200	Manual Storage box	1
46	513-20002	Connector 1/4	2	63	789-04931	Manual Storage Box, Mounting Plate	1
47	514-52001	Elbow, 90 Deg.	2	64	223-04004	Screw, Machine, RND HD, 10-32 x 3/4	4
48	514-62001	Elbow, 90 Deg.	1	65	221-90003	Nut, Locking 10-32	4
49	510-20356	Tube Assembly, 10 3/4	1	66	220-00007	Bolt, Hex Head 1/4 x 2	8
50*	653-00273	Placard, Indicator, Boom angle, LH	1	67*	653-00320	Placard, Platform Certification	1
51*	653-00272	Placard, Indicator, Boom Angle, RH	1	68	222-09040	Washer, Flat 1 1/2 ID x 2 3/4 OD	1
52*	651-00060	Placard, Caution	1	69	220-01003	Bolt, Hex Head 5/16NC x 1 1/4" Long	2
53*	651-00196	Placard, Danger, Lanyard Anchor	1	70	222-01001	Washer, Flat 5/16	4
54*	651-00191	Placard, Danger Operator Trunnion	1	71	221-91001	Nut, Lock 5/16NC	2
55*	651-00242	Placard, Electrocutation Hazard	1	72	783-03609	Bar, Tilt Stop	1
56*	650-00663	Placard, Operating Instructions	1	73	787-00300	Shim, .040	AR
57*	651-00234	Placard, Caution, Center Platform	1	74*	209-00434	Lanyard, Aerial Harness	2
				75*	209-00809	Harness, Safety Body	2

*ITEM NOT SHOWN

WHEN ORDERING PARTS, SPECIFY MODEL NUMBER, SERIAL NUMBER AND DESCRIPTION OF PARTS REQUIRED



SELF LEVELING PLATFORM INSTALLATION

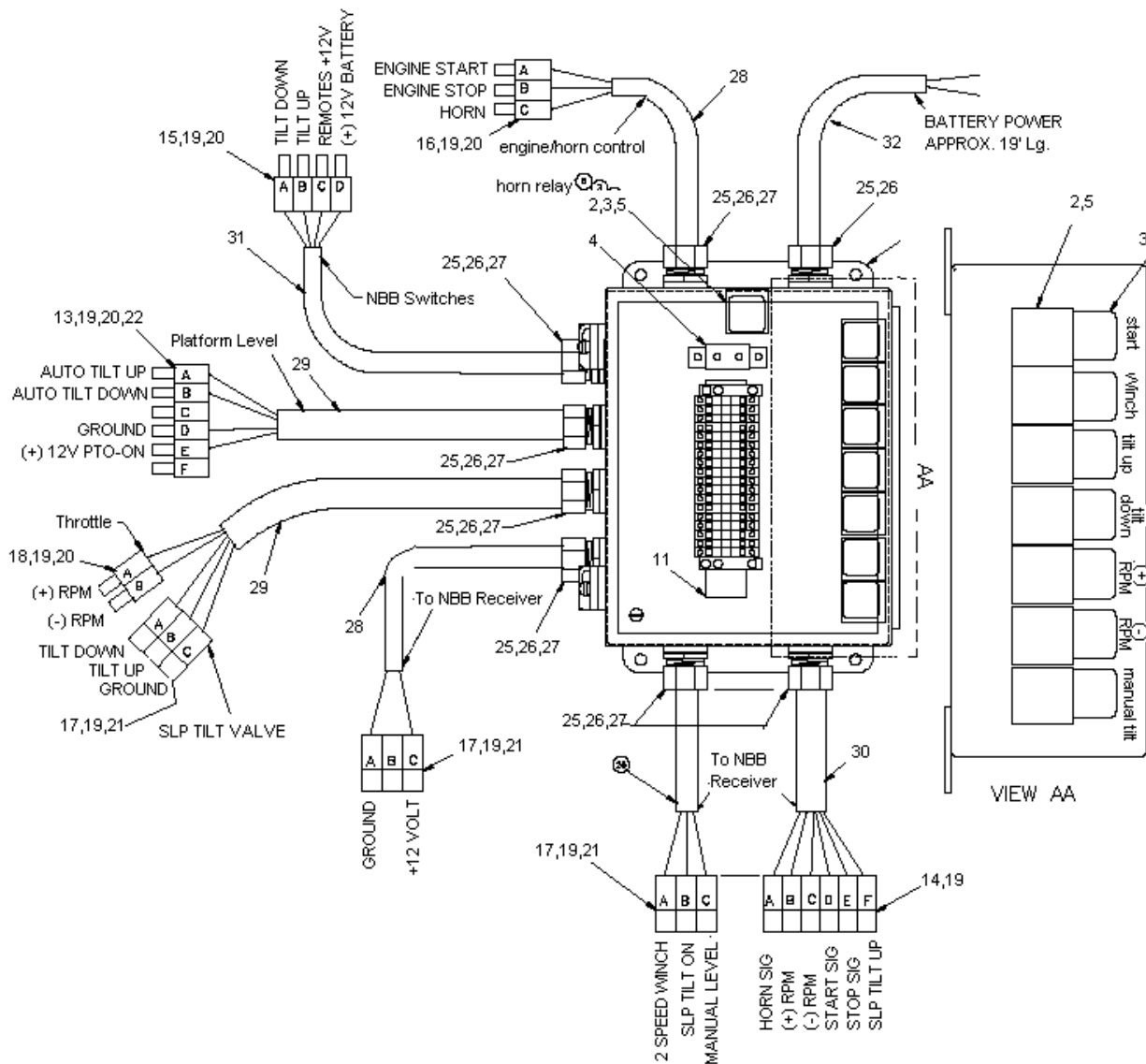
DATE: Revised 03-2006

MODEL: BT2000 Series

Page 51.8

GROUP

51



REF	PART NO.	DESCRIPTION	QTY	REF	PART NO.	DESCRIPTION	QTY
*	400-05503	NBB Remote Relay Box.....	Ref	18	400-23336	Connector, 2 Position Tower.....	1
1	400-05509	Enclosure, 10 x 8 x 4.....	1	19	400-23531	Seal.....	30
2	400-05510	Base, Relay.....	8	20	400-23407	Sockets.....	13
3	400-05511	Relay, SPDT.....	8	21	400-23408	Pins, Male.....	15
4	400-10092	Circuit Breaker, 30Amp.....	1	22	400-23308	Cavity Plug.....	2
5	400-02446	Terminal 1/4 Spade Locking.....	34	23	400-15572	Cord, Grip.....	1
6	400-03072	Terminal Block.....	18	24	400-15573	Cord Grip.....	1
7	400-05512	Partion Plate.....	1	25	400-15574	Cord, Grip.....	6
8	400-03073	Ground Block.....	3	26	NOT USED		
9	400-05513	End Cover.....	1	27	NOT USED		
10	400-05514	End Bracket.....	2	28	400-02447	Cable, 14/3.....	20'
11	400-03074	Din Rail 35mm.....	0.3	29	400-02448	Cable, 14/5.....	6'
12	400-05515	Jumper, 2 Position.....	5	30	400-02449	Cable, 14/9.....	8'
13	400-23461	Connector, 6 Position Tower.....	1	31	400-02450	Cable, 12/4.....	3'
14	400-23460	Connector, 6 Position Shroud.....	1	32	400-02451	Cable, 10/3.....	20'
15	400-23529	Connector, 4 Position Tower.....	1	33		Wire, 14 AWG Black GXL.....	3
16	400-23530	Connector, 3 Position Tower.....	1	34	400-02452	Ring, Terminal #10.....	2
17	400-23406	Connector, 3 Position Shroud.....	3	35	400-05516	Jumper, 5 Position.....	1
				36	400-05517	End cover.....	1

WHEN ORDERING PARTS, SPECIFY MODEL NUMBER, SERIAL NUMBER AND DESCRIPTION OF PARTS REQUIRED



TEREX

NBB REMOTE RELAY BOX

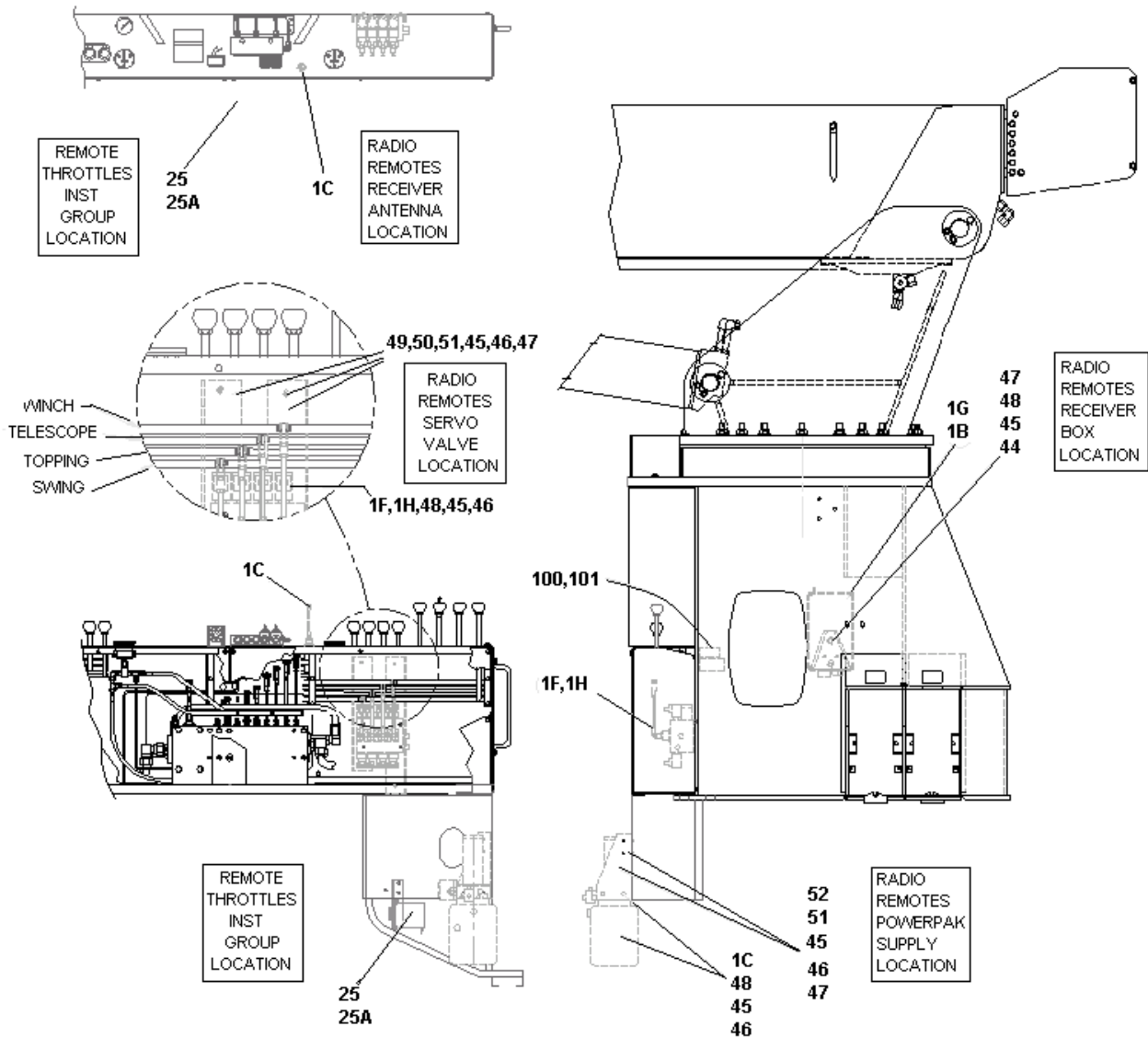
DATE: Revised 03-2006

MODEL: BT2000 Series

Page 51.9

GROUP

51



Radio Remote Control Installation

REF	PART NO.	DESCRIPTION	QTY	REF	PART NO.	DESCRIPTION	QTY
1	403-00008	Kit, NBB Radio Remotes With SLP.....	1	2	210-00080	Kit, Electrical, NBB Remote.....	1
		(Includes Items 1A through 1K)				(Includes Items 3 Through 9)	
1A		Hose Kit, Pressure and Return.....	1	3	400-05503	Electric Box Assembly, Relay.....	1
1B	402-00036	Box, Receiver With SLP.....	1	4	400-25156	Harness, SW NBB Remote.....	1
1C	403-00001	Antenna Assembly With Cable.....	1	5	400-25157	Harness, SLP Solenoid.....	1
1D	403-00009	Transmitter, With SLP.....	1	6	400-25131	Harness, Throttle Motor/Relays.....	1
1E	520-90026	Powerpak Assembly Pump/Motor/Tank....	1	7	400-23460	Connector.....	1
1F	559-00243	Actuator, Servo 4 Function.....	1	8	400-23408	Male terminal.....	6
1G	775-00189	Bracket, Receiver Mounting.....	1	9	400-23462	Cable Seal.....	6
1H	806-00255	Kit, Clevis/Linkage Rod.....	1	10	NOT USED		
1I	400-25134	Harness Assembly, Receiver Power in....	1	11	400-23378	Dust Cap.....	1
1J	403-00004	Battery, 7.2 Vdc Rechargeable.....	2	12	400-23463	Dust Cap Plug.....	1
1K	403-00007	Battery, 12-24 Vdc Charger.....	1	13	205-00005	Chain, #16 Jack Type.....	5
				14	400-23412	Receptacle.....	1

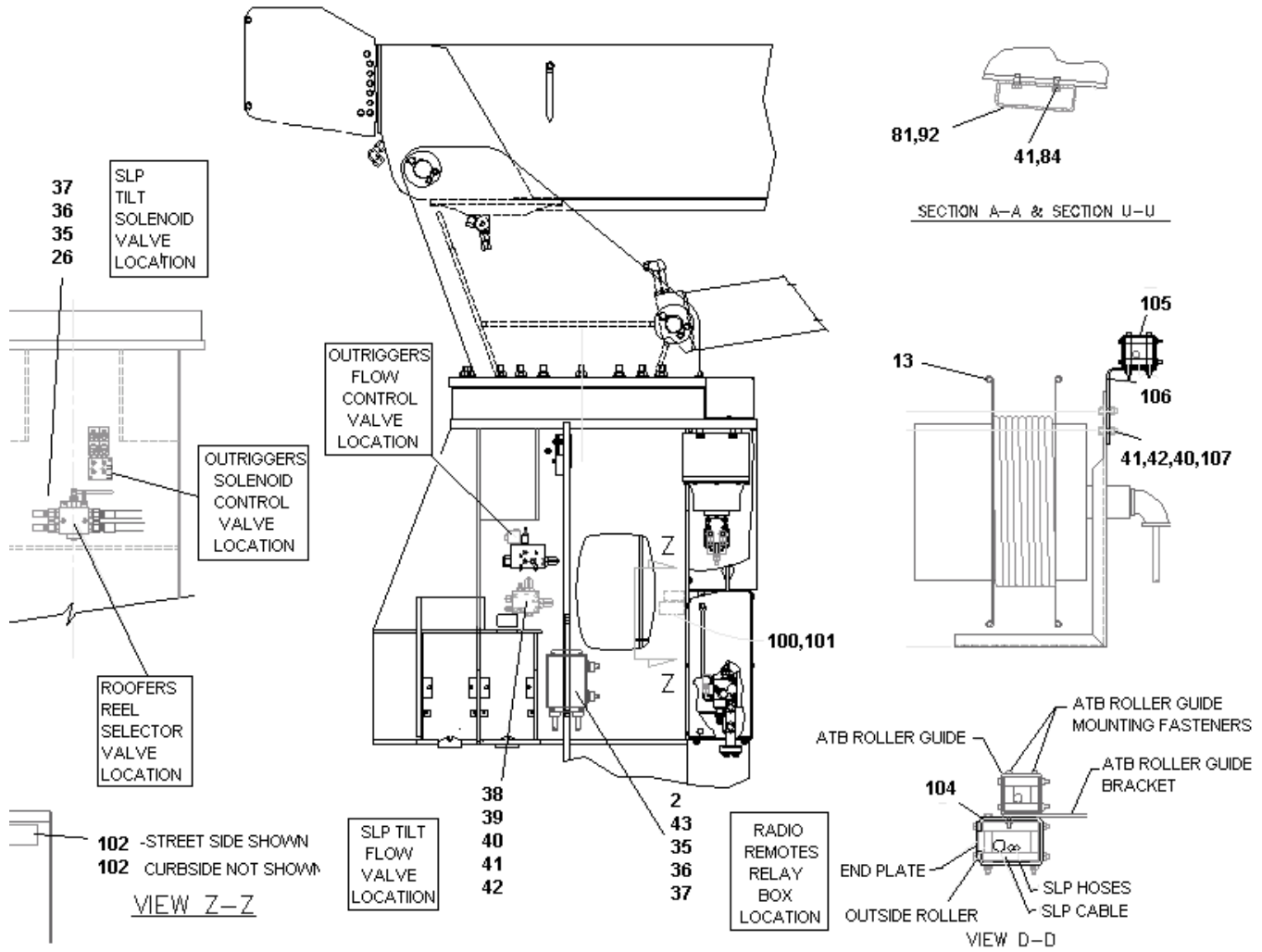
WHEN ORDERING PARTS, SPECIFY MODEL NUMBER, SERIAL NUMBER AND DESCRIPTION OF PARTS REQUIRED



RADIO REMOTE CONTROL INSTALLATION

DATE: Revised 03-2006
 MODEL: BT2000 Series
 Page 51.10

GROUP
51



Radio Remote Control Installation

REF	PART NO.	DESCRIPTION	QTY	REF	PART NO.	DESCRIPTION	QTY
15	400-23349	Plug, Deutsche	1	32	NOT USED		
16	400-23343	Pin,	6	33	NOT USED		
17	400-23295	Socket	4	34	NOT USED		
18	400-23355	Sealing Plug	2	35	222-00006	Washer, Flat.....	16
19	400-23351	Strain Relief.....	2	36	222-10005	Washer, Lock.....	6
20	NOT USED			37	221-00001	Nut, Hex 1/4-20NC PLT	6
21	NOT USED			38	559-00130	Valve, Flow Control, SLP.....	1
22	NOT USED			39	220-02005	HHCS 3/8-16NC x 2 1/2" Long	2
23	400-05496	Reel Assembly Conductor cable	1	40	222-05005	Washer, Flat 3/8 PLT	10
24	400-00449	Switch, Lever PQ W/Pigtail	1	41	222-12001	Washer, Flat 3/8 Med PLT	34
25	400-10045	Remote Throttle Install Group	1	42	221-02001	Nut, Hex 3/8-16NC PLT	4
25a	400-11027	Motor, Remote Throttle	1	43	220-00004	HHCS 1/4-20NC x 1 1/4" Long	4
26	551-10065	Solenoid Valve, SLP Tilt.....	1	44	220-01006	HHCS 5/16 x 1 1/2" Long.....	2
27	NOT USED			45	222-01001	Washer, flat 5/16 PLT	32
28	400-15086	Tyrap 3/16 x 7" Long	2	46	222-11002	Washer, Lock 5/16.....	26
29	400-02221	Ring Eyelet,	4	47	221-01001	Nut, Hex 5/16	
30	NOT USED			48	220-50603	HHCS.....	6
31	NOT USED			49	775-00191	Angle, LH Servo Mounting.....	1
				50	775-00190	Angle, RH Servo mounting	1

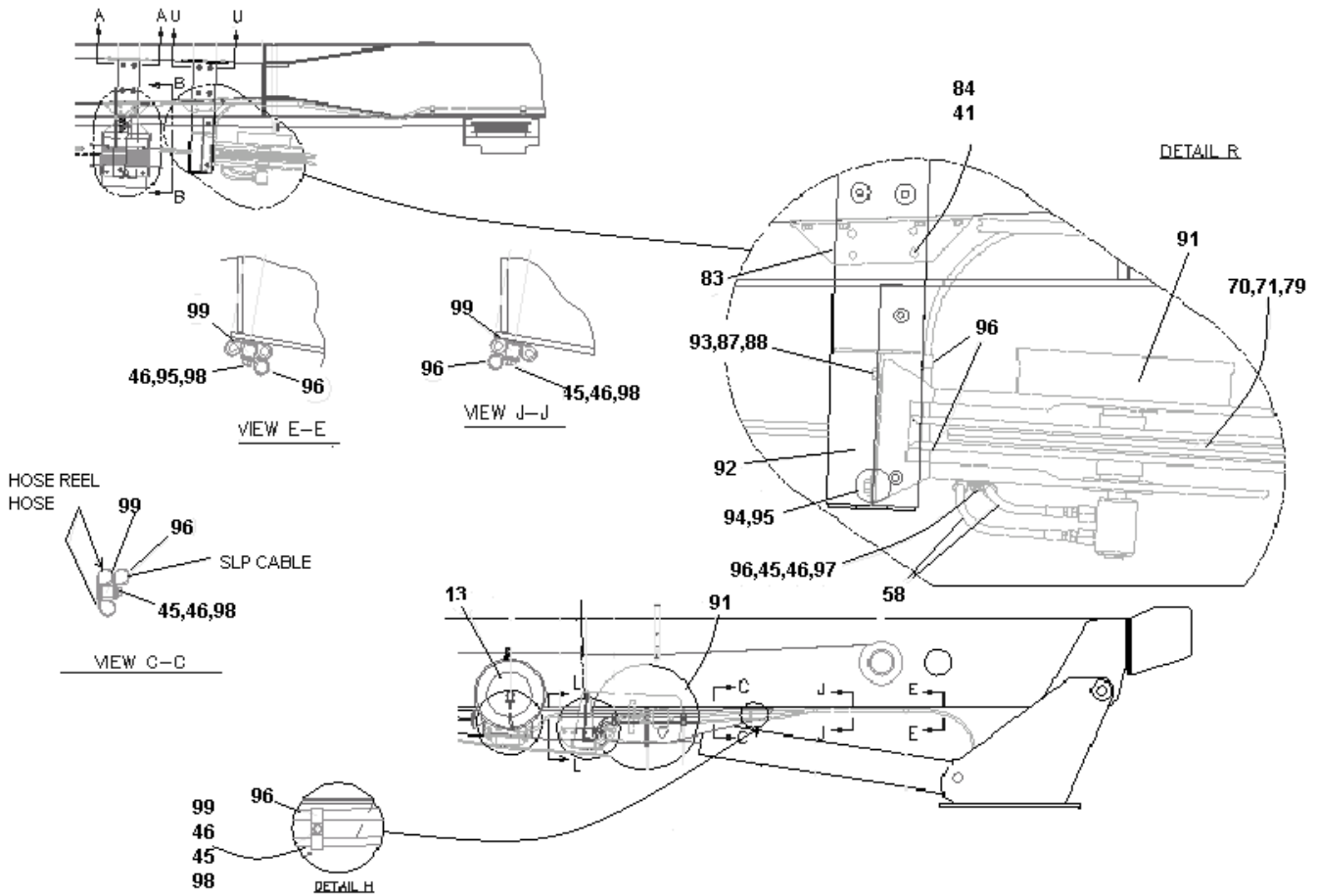
WHEN ORDERING PARTS, SPECIFY MODEL NUMBER, SERIAL NUMBER AND DESCRIPTION OF PARTS REQUIRED



RADIO REMOTE CONTROL INSTALLATION

DATE: Revised 03-2006
 MODEL: BT2000 Series
 Page 51.11

GROUP
51



REF	PART NO.	DESCRIPTION	QTY	REF	PART NO.	DESCRIPTION	QTY
51	220-01005	HHCS 5/16-18 x 1" Long.....	6	76	770-02353	Support Bracket, Quick Disconnect.....	1
52	789-05245	Mounting Bracket, Powerpak.....	1	77	501-04151	Q/Disc Dust Cap Dust cap.....	2
53	223-01101	Screw, Rd. Head, #10-24 x 3/4 PLTD.....	1	79	502-00177	Twin Hose, 3/16 x 82FT.....	1
54	222-00007	Washer, Flat.....	2	80	666-10001	ATB Switch, Lock Out, Greer.....	1
55	222-10006	Washer, Lock #10.....	2	81	770-02606	Bracket, Cable Reel.....	1
56	221-00002	Nut, Hex #10.....	2	82	220-02002	HHCS 3/8-16 x 1 1/4" Long.....	2
57	514-52005	Elbow, 90 Deg.....	3	83	785-01483	Angle, SLP Cable/Hose Reel Support.....	2
58	502-11017	Hose, SLP Solenoid Valve/Boom Reel.....	2	84	220-02003	Bolt, Hex Head 3/8-16 x 3/4" Long.....	30
59	502-11000	Hose, 1/4 x 72" Long.....	2	85	220-04007	Bolt, Hex Head, 1/2-13 x 1 3/4" Long.....	4
60	516-82003	SW Nut Run Tee.....	2	86	783-01640	Square Washer Plate 1/2" Dia.....	4
61	502-11158	Hose, /A Flaw Valve.....	1	87	222-04001	Washer, Flat 1/2 PLT.....	16
62	513-20019	Connector, Straight.....	3	88	221-94006	Locknut, 1/2-13NC PLT.....	6
63	517-30010	Plug, Hex.....	1	89	223-00304	FLT 50CHD Machine 5/16.....	4
64	514-57010	Elbow, 90 Deg. 12ORB/12OFS.....	1	90	729-02369	Rub Pad Twin Boom Hose.....	2
65	514-56004	Elbow, 90Deg. 12 ORB x 10 OFS.....	1	91	501-07066	Hose, Reel MOD SLP.....	1
66	502-40828	Hose Assembly Press SLP.....	1	91a	501-07056	Hose Reel, No Modification.....	1
67	730-20299	SLP Platform Assembly 4700.....	1	92	770-01853	Support Bracket, SLP Hose Reel.....	1
68	518-30001	Bulkhead.....	2	93	220-04002	Bolt, Hex Head 1/2-13 x 1 1/4" Long.....	4
69	511-41001	Bulkhead Locknut.....	2	94	787-00263	Shim, 1 3/4 x 12, 10 CL 0.04Thk.....	1
70	511-40001	Tube, Nut.....	4	95	787-00265	Shim, 1 3/4 x 12, 10 CL 0.10Thk.....	1
71	519-40002	Tube Reducer.....	4	96	201-00050	P-Clamp Aeroquip.....	26
72	501-04150	Q/Disc Nipple #12.....	2	97	220-01004	Bolt, Hex Head 5/16.....	4
73	501-04149	Q/Disc Nipple CPLG.....	2	98	220-01010	Bolt, Hex Head 5/16.....	6
74	280-00001	O-Ring, #6.....	2	99	031-10011	Spacer, Cable Clamp.....	5
75	209-00658	Bump Ball 7/16.....	1	100	650-00683	Placard, Switch Operating Instructions.....	2

WHEN ORDERING PARTS, SPECIFY MODEL NUMBER, SERIAL NUMBER AND DESCRIPTION OF PARTS REQUIRED



RADIO REMOTE CONTROL INSTALLATION

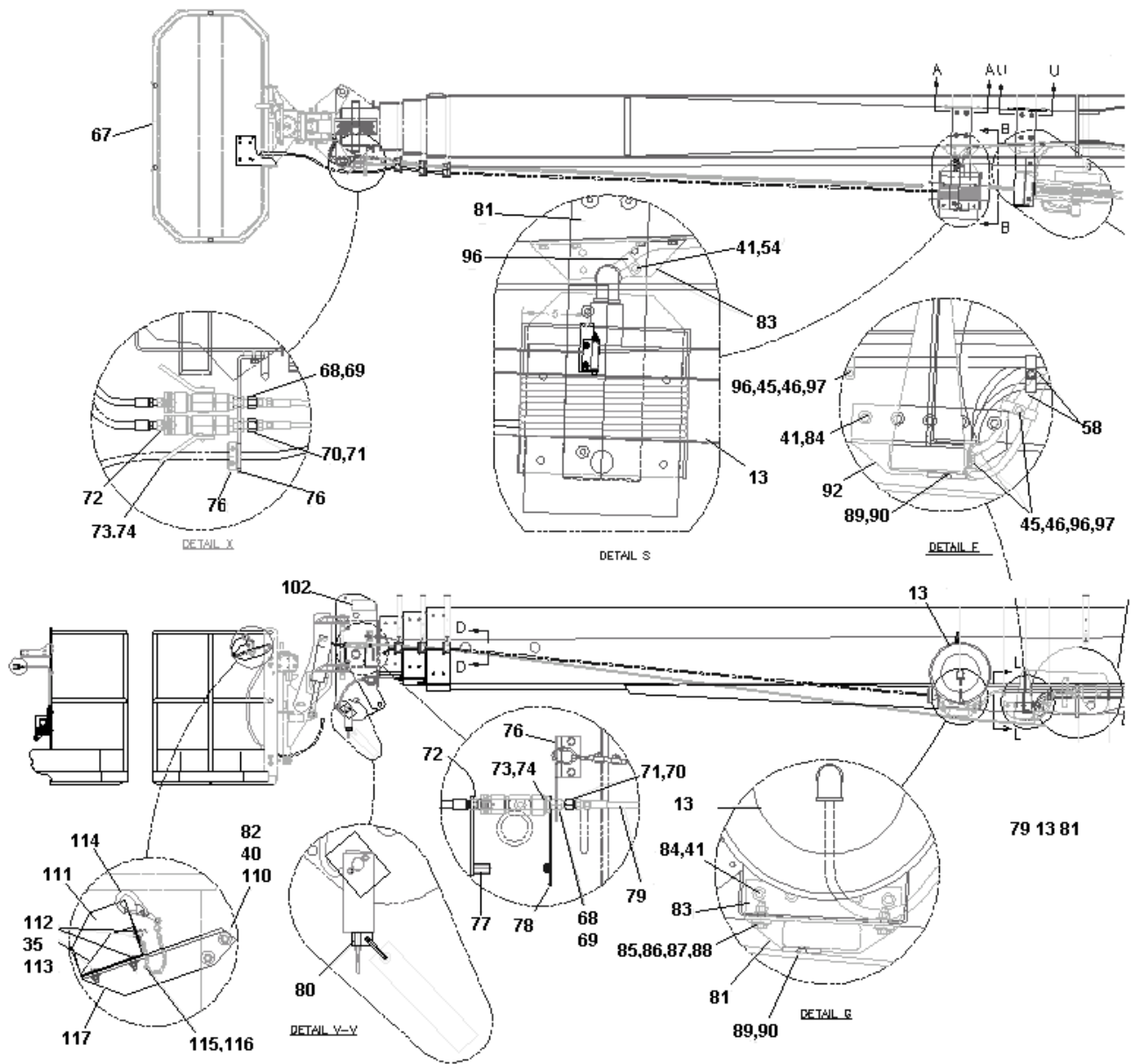
DATE: Revised 03-2006

MODEL: BT2000 Series

Page 51.12

GROUP

51



REF	PART NO.	DESCRIPTION	QTY	REF	PART NO.	DESCRIPTION	QTY
101	651-00234	Placard, Switch Operating Instruction	2	112	220-30012	Holder Box, NBB Transmitter.....	5
102	651-00276	Placard, Platform Center, Instruction	2	113	221-90001	Bolt, Button, Socket Head 1/4.....	5
103	651-00326	Placard, SLP Capacity, 4700	4	114	209-00585	Snap 19mm Fixed Eye.....	1
104	665-00007	Placard, Elect Remote Box Electrocutation..	1	115	209-00359	S-Hook	2
105	865-00015	Roller Guide, Cable/Hose.....	3	116	205-00007	Chain.....	6"
106	785-02082	Roller Guide Assembly, ATB.....	1	117	770-01721	Support Bracket, Control Box Mounting.....	1
107	220-02004	Bar, Cable Guide Mounting.....	1	118	NOT USED		
108	209-00809	Bolt, Hex Head 3/16	2	119	NOT USED		
109	209-00434	Harness, Body, Safety	2	120	514-52004	Elbow, 90 Deg. SW Nut 4 OFS.....	2
110	221-92001	Lanyard, Aerial	2				
111	770-02625	Locknut, 3/8.....	2				

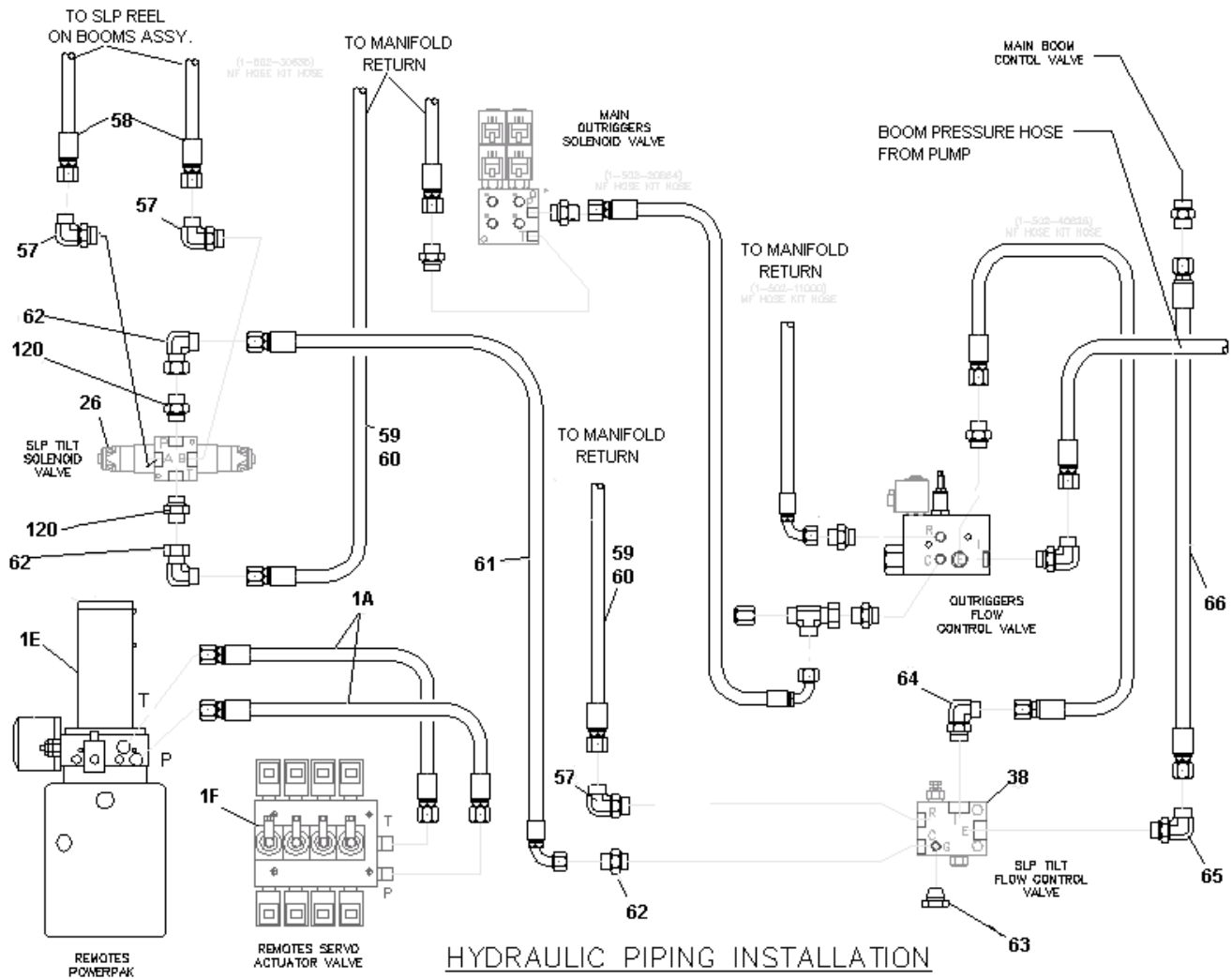
WHEN ORDERING PARTS, SPECIFY MODEL NUMBER, SERIAL NUMBER AND DESCRIPTION OF PARTS REQUIRED



RADIO REMOTE CONTROL INSTALLATION

DATE: Revised 03-2006
 MODEL: BT2000 Series
 Page 51.13

GROUP
51



WHEN ORDERING PARTS, SPECIFY MODEL NUMBER, SERIAL NUMBER AND DESCRIPTION OF PARTS REQUIRED



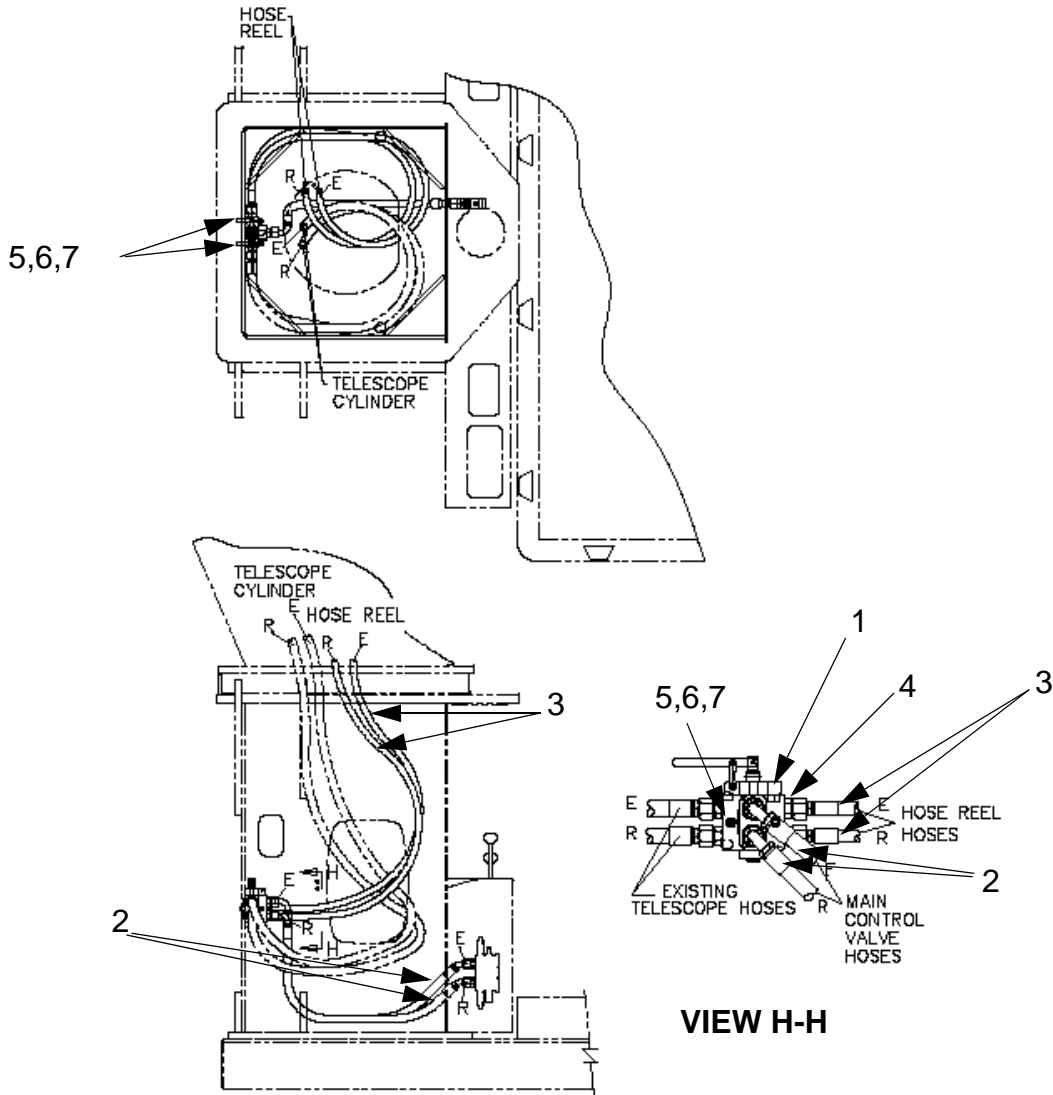
RADIO REMOTE HYDRAULIC PIPING

DATE: Revised 03-2006

MODEL: BT2000 Series

Page 51.14

GROUP
51



Roofer's Package Installation

REF	PART NO.	DESCRIPTION	QTY	REF	PART NO.	DESCRIPTION	QTY
*	730-91005	Roofer's Package.....	Ref	5	220-02001	Screw 3/8 x 3" Long.....	2
1	553-00002	Valve Selector.....	1	6	222-12001	Washer, Lock 3/8.....	22
2	502-40722	Hose Assembly, Main Valve Select.....	2	7	221-02001	Nut 3/8.....	8
3	502-30597	Hose Assembly, Select Valve/Reel.....	2	8	501-07064	Reel Hose.....	1
4	513-70023	Connector, Straight.....	6	9	502-20809	Hose, Dual 3/8 x 122' Assembly.....	1
				10	501-04131	Nose, Q'Coupler.....	1

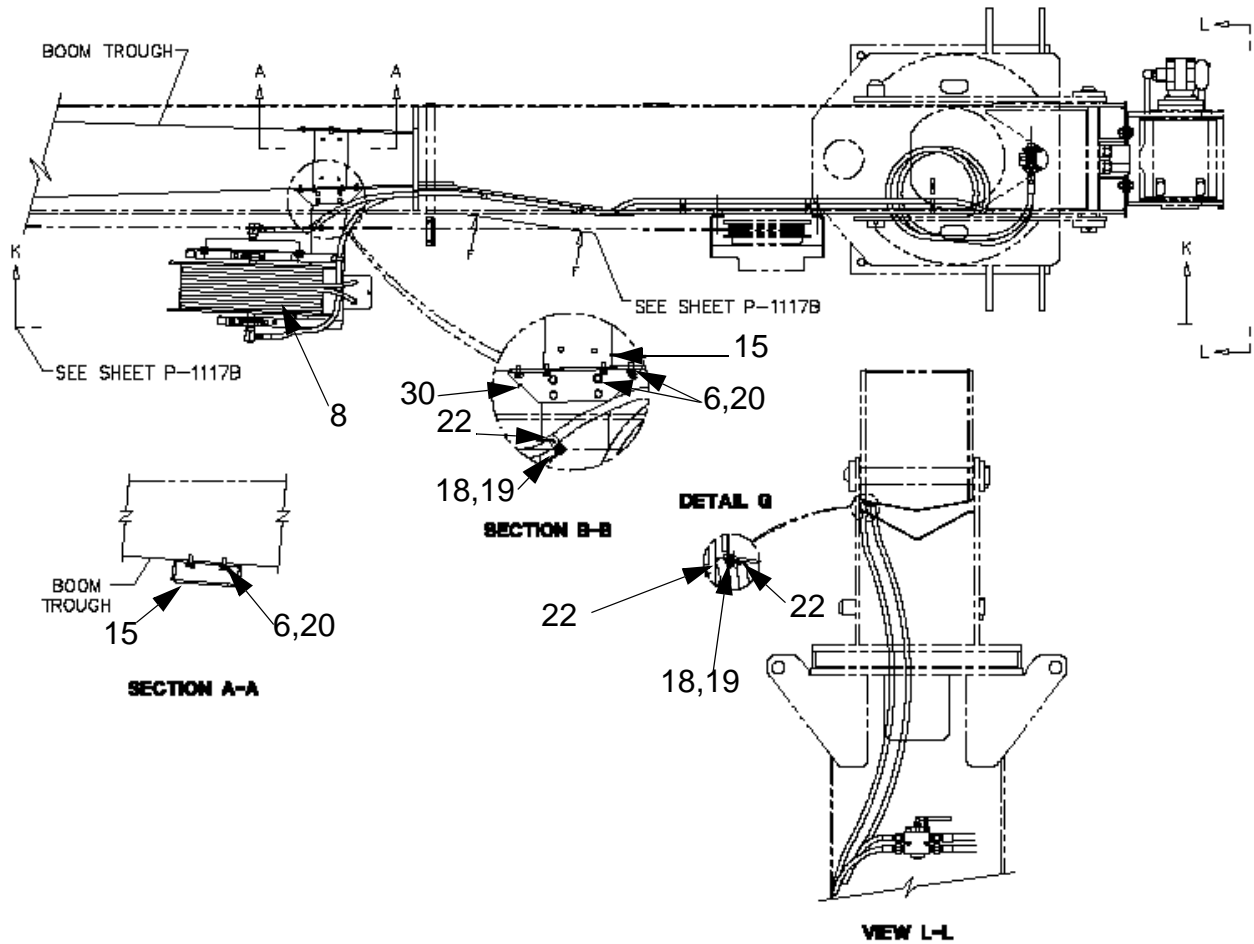
WHEN ORDERING PARTS, SPECIFY MODEL NUMBER, SERIAL NUMBER AND DESCRIPTION OF PARTS REQUIRED



ROOFER'S PACKAGE INSTALLATION

DATE: Revised 03-2006
 MODEL: BT2000 Series
 Page 51.15

GROUP
51



Roofer's Package Installation

REF	PART NO.	DESCRIPTION	QTY	REF	PART NO.	DESCRIPTION	QTY
11	501-04018	Cap, Dust	1	16	780-00248	Plate, Support	1
12	501-04130	Body, Q'Coupler	1	17	209-00586	Lock Pin, Hose Reel	1
13	501-04028	Plug, Dust.....	1	18	223-15210	Screw, 5/16 x 3/4" Long.....	12
14	513-50002	Connector, Straight	4	19	222-01001	Washer, Flat 5/16.....	8
15	770-01850	Bracket, Hose Reel Weldment	1	20	223-15209	Screw, 3/8 x 3/4" Long.....	14

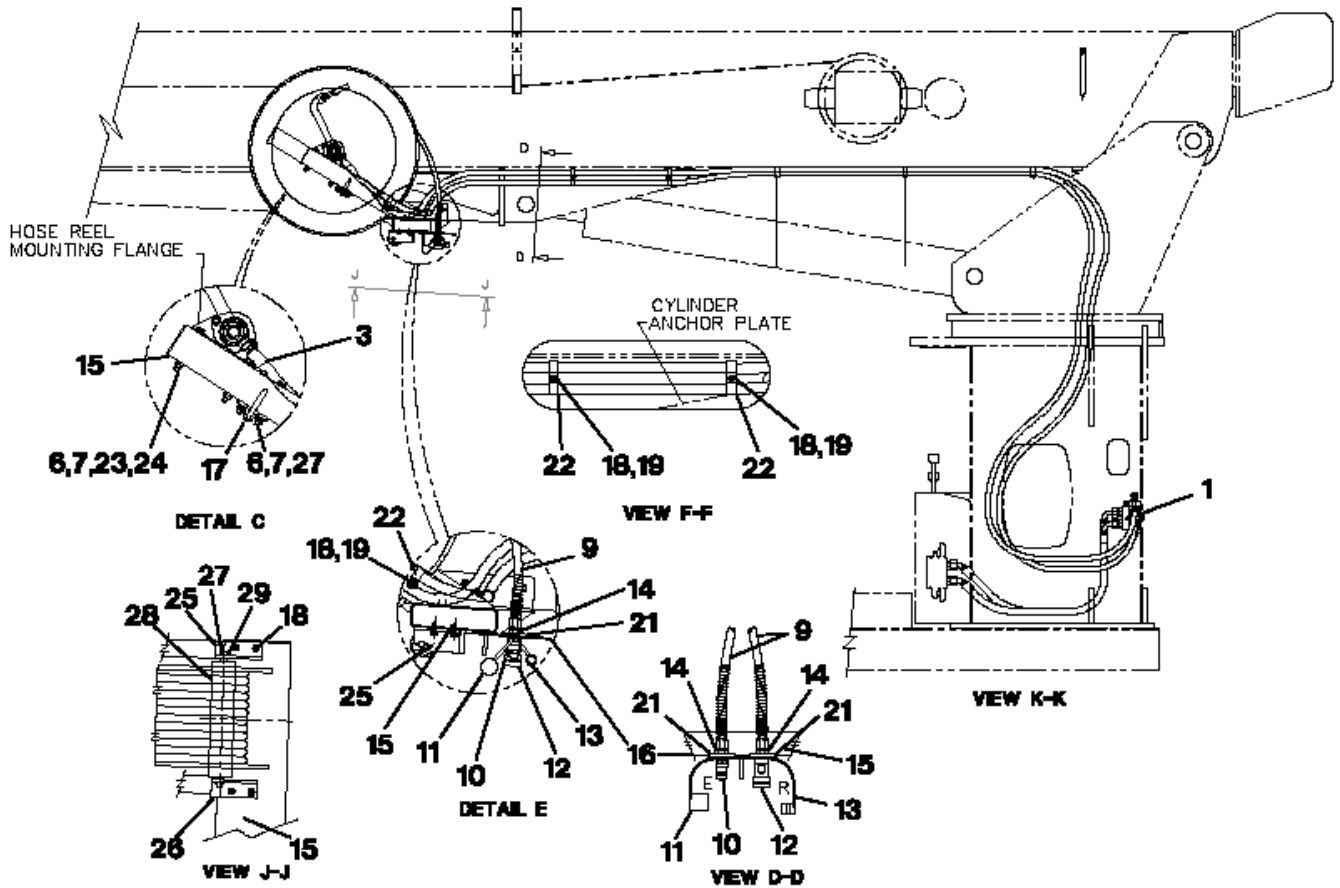
WHEN ORDERING PARTS, SPECIFY MODEL NUMBER, SERIAL NUMBER AND DESCRIPTION OF PARTS REQUIRED



**ROOFER'S PACKAGE
INSTALLATION**

DATE: Revised 03-2006
 MODEL: BT2000 Series
 Page 51.16

**GROUP
51**



Roofer's Package Installation

REF	PART NO.	DESCRIPTION	QTY	REF	PART NO.	DESCRIPTION	QTY
21	222-08001	Washer, Flat 7/8.....	2	26	785-01504	Angle, Roller Support RH.....	1
22	201-00050	Clamp, Hose.....	13	27	870-00135	Pin, Roller Guide.....	1
23	220-02009	Bolt, 3/8 x 4" Long.....	6	28	865-00008	Guide, Roller Hose.....	1
24	222-02005	Washer, flat 3/8.....	4	29	224-12001	Pin, Roller 1/8 x 1 1/8" Long.....	2
25	785-01503	Angle, Roller Support LH.....	1	30	785-01483	Angle Support.....	1

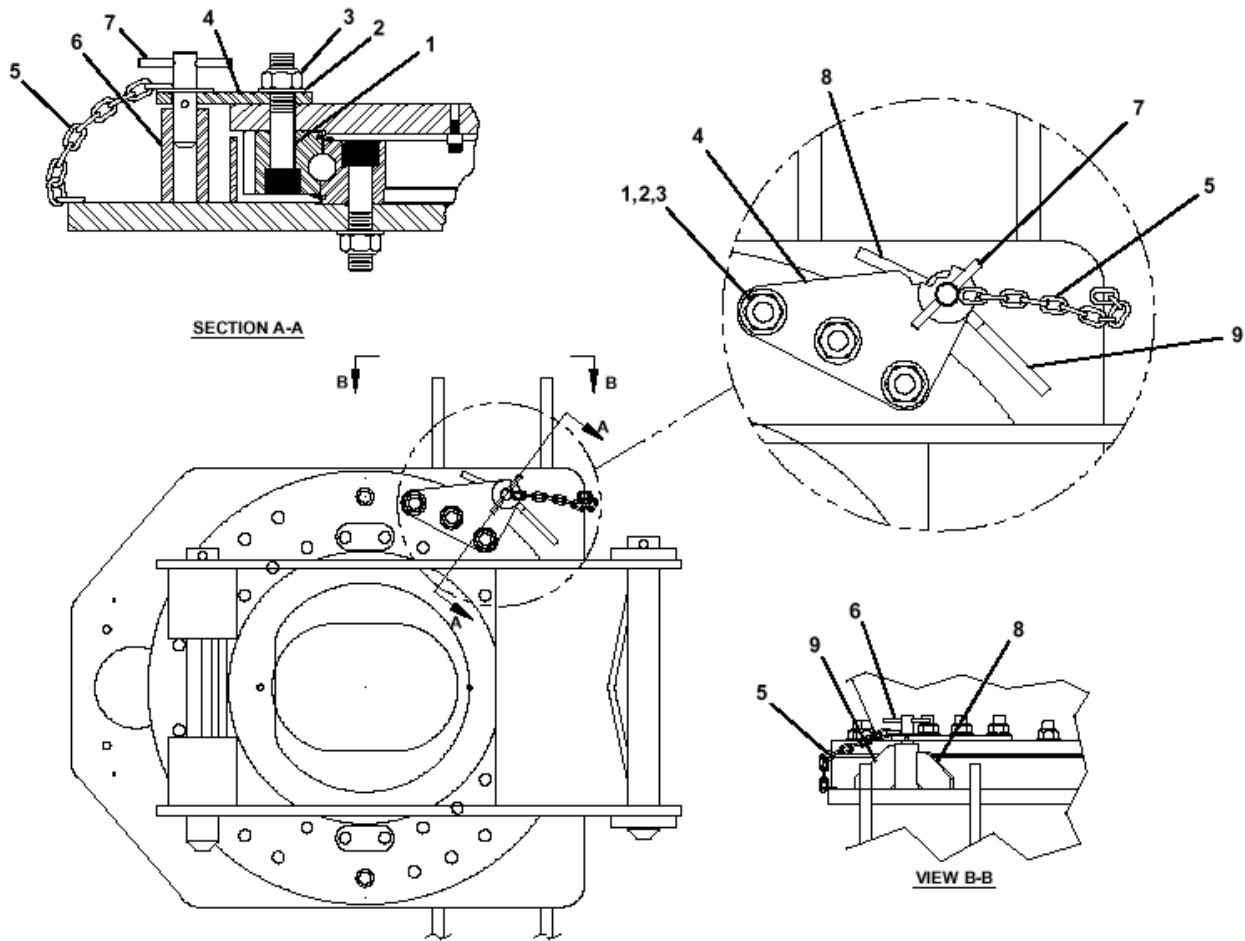
WHEN ORDERING PARTS, SPECIFY MODEL NUMBER, SERIAL NUMBER AND DESCRIPTION OF PARTS REQUIRED



**ROOFER'S PACKAGE
INSTALLATION**

DATE: Revised 03-2006
 MODEL: BT2000 Series
 Page 51.17

**GROUP
51**



Turret Lock Installation

REF	PART NO.	DESCRIPTION	QTY	REF	PART NO.	DESCRIPTION	QTY
*	975-00592	Turret Lock Assembly.....	Ref	6	782-01554	Collar, Turret Lock	1
1	220-39006	SHCH, 1NC x 5" Long.....	3	7	224-18004	Pin, roll 3/8 Dia x 4" Long	1
2	222-09004	Washer, Flat, 1 PLTD.....	REF	8	784-01030	Gusset, Turret Lock Collar Support	1
3	221-99002	Nut, Toplock 1NC.....	3	9	784-01132	Gusset, Turret Lock Collar Support	1
4	789-04679	Plate, Turret Lock Mounting	1				
5	870-20189	Pin, Turret Lock Retain.....	1				

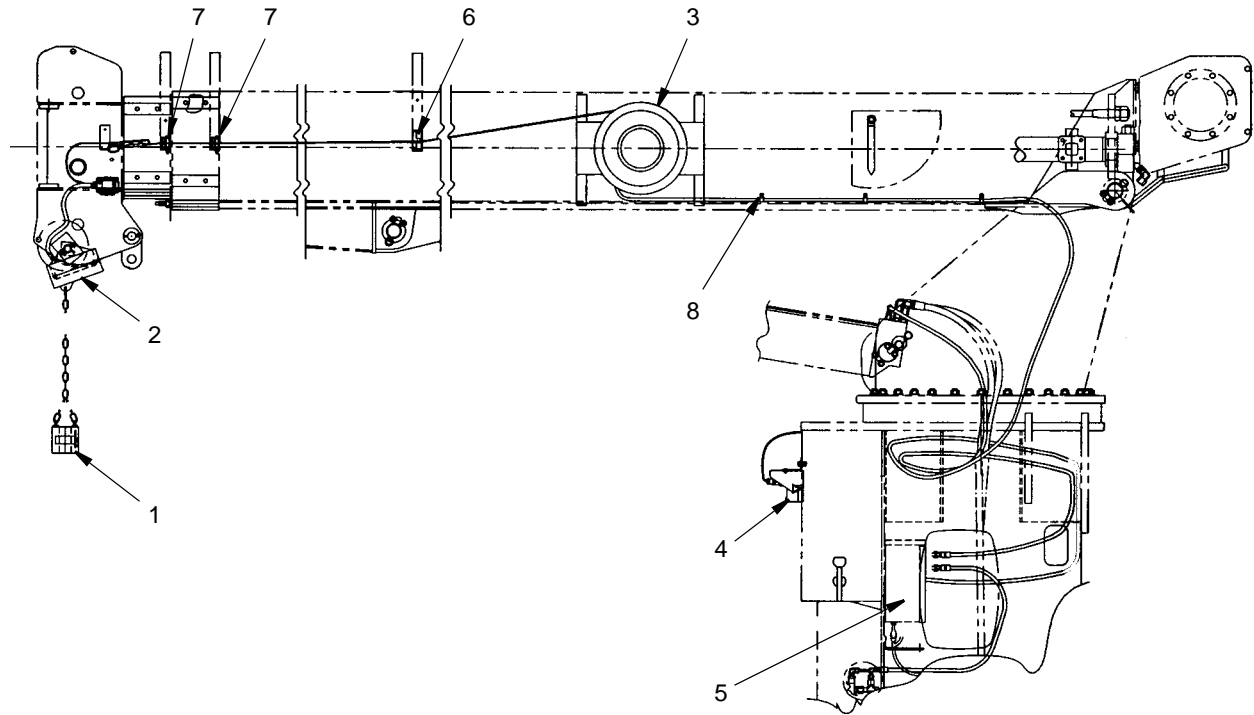
WHEN ORDERING PARTS, SPECIFY MODEL NUMBER, SERIAL NUMBER AND DESCRIPTION OF PARTS REQUIRED



TURRET LOCK INSTALLATION

DATE: Revised 03-2006
 MODEL: BT2000 Series
 Page 51.18

GROUP
51



REF.	PART.NO.	DESCRIPTION	QTY.
	508-00083	MG586 Assembly	
	400-16135	RCI KIT (Greer MG586)..... 1 (Includes Items 1 Through 5)	
1	717 0882	Cwt w/ Chain..... 1	
2	774-00054	Bracket, ATB Switch (Plated)..... 1	
	729-02729	Bracket LMI/ATB Switch (Painted)..... 1	
	861-90467	ATB Switch Assembly..... 1	
	213830	Bolt..... 2	
	213844	Switch, Contact..... 1	
	213845	Magnet..... 1	
3	Page 52.3	Reeling Drum..... 1	
4	Page 52.4	Display..... 1	
5	Page 52.2	Computer Assembly..... 1	
6	865-00019	Roller Guide Assembly, ATB..... 1	
	400-16132	Bracket, Extend..... Opt.	
	220-00021	Capscrew, 1/4-20 UNC x .63 Lg..... Opt.	
	221-90001	Locknut, 1/4-20 UNC..... Opt.	
7	865-00019	Roller Guide Assembly, ATB..... 1	
8	201-00141	Clamp, ϕ 1/4 x .40..... 3	
	222-00006	Flatwasher, 1/4 Zinc..... 3	
	226-00021	Rivet, .50 HD .25D x .63 Lg.....	

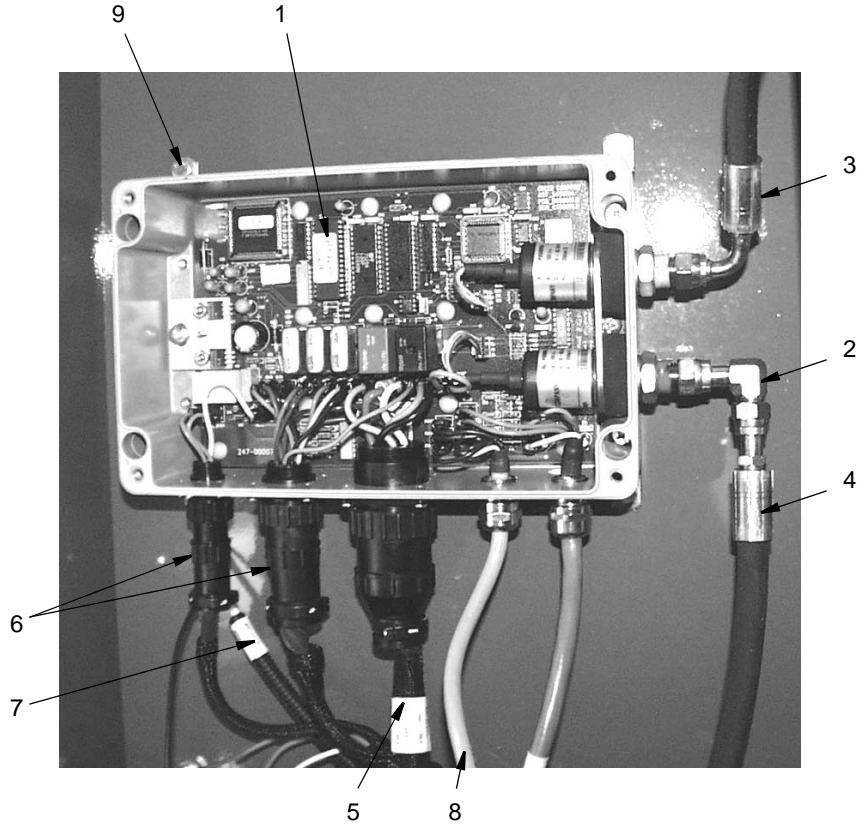
WHEN ORDERING PARTS, SPECIFY MODEL NUMBER, SERIAL NUMBER AND DESCRIPTION OF PART REQUIRED



GREER MG586
RCI Assembly

DATE: Revised 10-2005
MODEL: BT2000
PAGE 52.1

GROUP
52



REF.	PART.NO.	DESCRIPTION	QTY.
	400-16122	Computer, MG586	
1	717 0776	System Chip [Generic - Not Programmed].....	1
2	514-62002	Elbow, 90°	1
3	502-11225	Hose	1
4	502-10916	Hose.....	1
5	400-02444	Harness, Elec - Cab/Box.....	1
6	400-25155	Harness, Console.....	1
7	400-01530	Cable, Ground.....	1
8	666-10002	Cable, Computer to Display	1
9	220-00003	Capscrew, 1/4 NC x 3/4" Lg	4
	222-10005	Lockwasher, 1/4 Plated.....	4

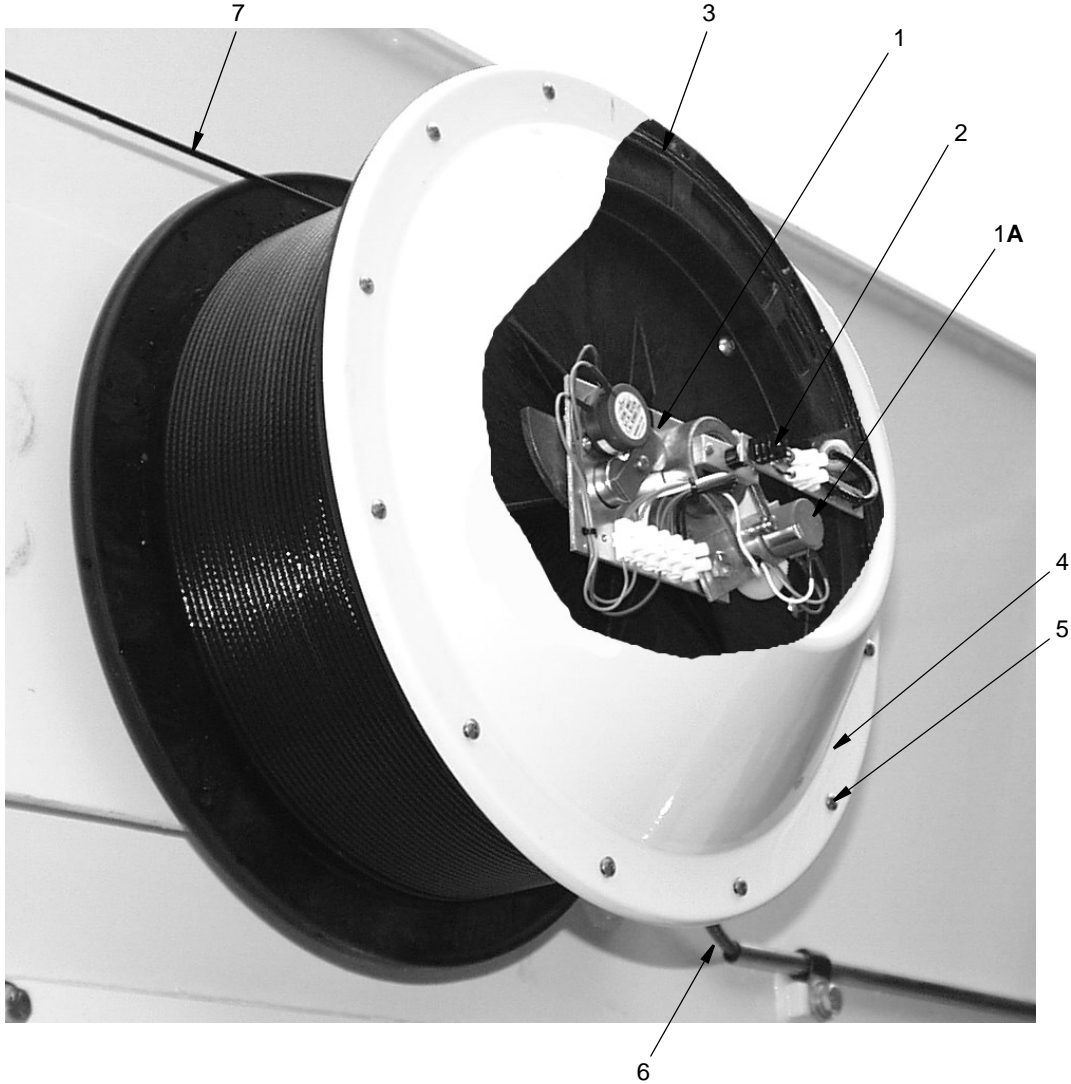
WHEN ORDERING PARTS, SPECIFY MODEL NUMBER, SERIAL NUMBER AND DESCRIPTION OF PART REQUIRED



GREER MG586
Computer

DATE: Revised 10-2005
MODEL: BT2000
PAGE 52.2

GROUP
52



REF.	PART.NO.	DESCRIPTION	QTY.
	861-90466	Reeling Drum, MG586	
1	666-10008	Base Plate Assembly	1
1A	216652	Potentiometer, Extension	1
2	216653	Slip Ring.....	1
3	216654	O-Ring.....	1
4	216655	Cover Assembly.....	1
5	216656	Screw	12
6	861-90406	Cable, Tail	1
7	861-90392	Ext. Cable Assembly	1

WHEN ORDERING PARTS, SPECIFY MODEL NUMBER, SERIAL NUMBER AND DESCRIPTION OF PART REQUIRED



GREER MG586
Reel

DATE: Revised 10-2005
MODEL: BT2000
PAGE 52.3

GROUP
52



REF.	PART.NO.	DESCRIPTION	QTY.
1	400-16119	Display, MG586.....	1
2	786-01826	Bracket, Display Mount	2
3	785-02059	Angle, Display Mount	1
	220-02004	Capscrew, 3/8-16 UNC x 1.00 Lg.....	2
	222-02005	Flatwasher, 3/8.....	2
	221-02001	Hexnut, 3/8-16 UNC.....	2
4	220-00021	Capscrew, 1/4-20 UNC x .63 Lg.....	2
5	222-00006	Flatwasher, 1/4 Zinc	2
6	221-90001	Locknut, 1/4-20 UNC.....	2

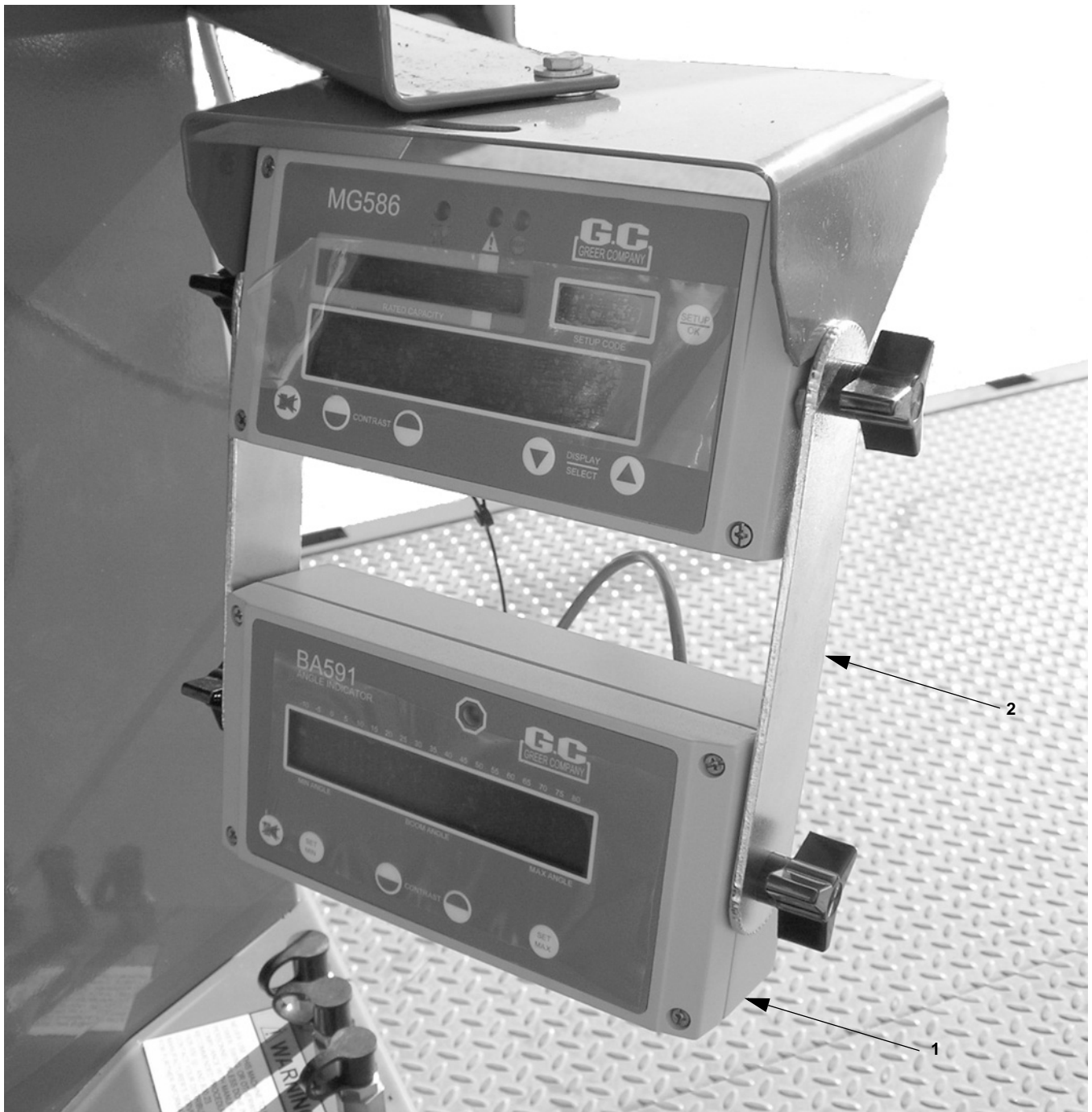
WHEN ORDERING PARTS, SPECIFY MODEL NUMBER, SERIAL NUMBER AND DESCRIPTION OF PART REQUIRED



GREER MG586
Display

DATE: Revised 10-2005
MODEL: BT2000
PAGE 52.4

GROUP
52



REF.	PART.NO.	DESCRIPTION	QTY.
1	400-16126	Greer Boom Angle Display BA591.....	1
2	783-03672	Bar, Boom Angle Display Mount	2

WHEN ORDERING PARTS, SPECIFY MODEL NUMBER, SERIAL NUMBER AND DESCRIPTION OF PART REQUIRED



**GREER BA591 ANGLE
DISPLAY**

DATE: Issued 10-2005
 MODEL: BT2000
 PAGE 52A.1

GROUP
52A