



ZCC3000H

ZCC3000H PRODUCT GUIDE

Crawler Crane

300 U.S. ton (286 metric ton) capacity

272' (83m) main boom length

98' (30m) maximum fixed jib length

197' (60m) maximum luffing jib length

ZCC3000H

CONTENTS

2-3	Features	17	Crane Dimensions
4	Key/Symbols	18-22	Working Range Diagram
5-7	Technical Description	23-43	Load Charts
8-16	Crane and Component Weights		

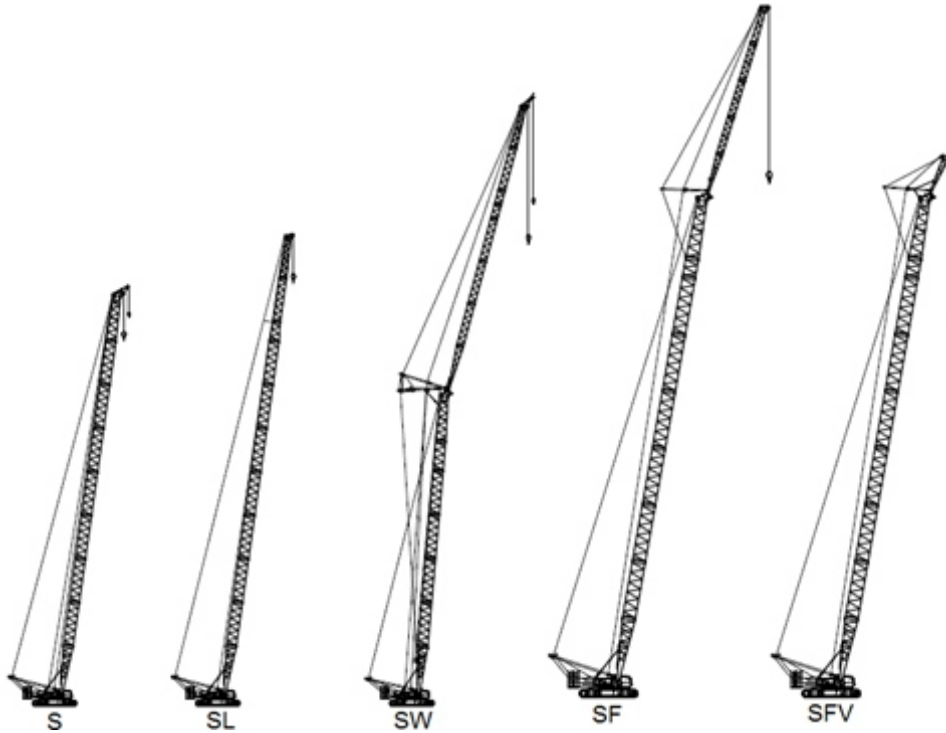


HEADQUARTERS

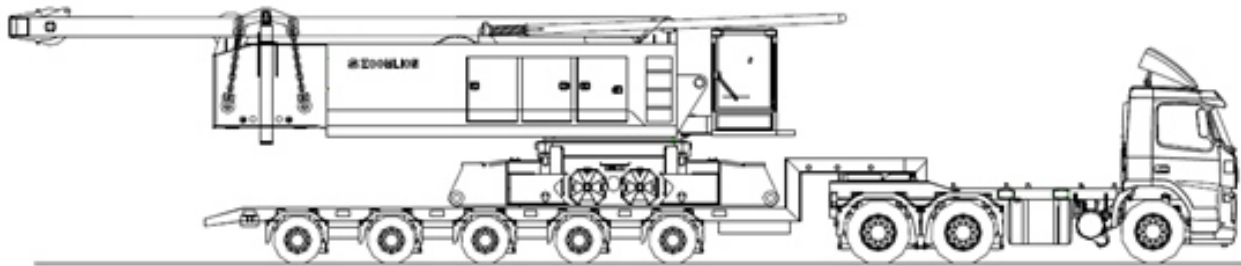
Global Cranes & Machinery, LLC
 14702 Jersey Shore Drive, Houston, TX 77047 USA
 Phone: +1 (832) 460-3939 | Fax: +1 (928) 441-0606
 Info@globalcranesales.com | www.globalcranes.com

FEATURES

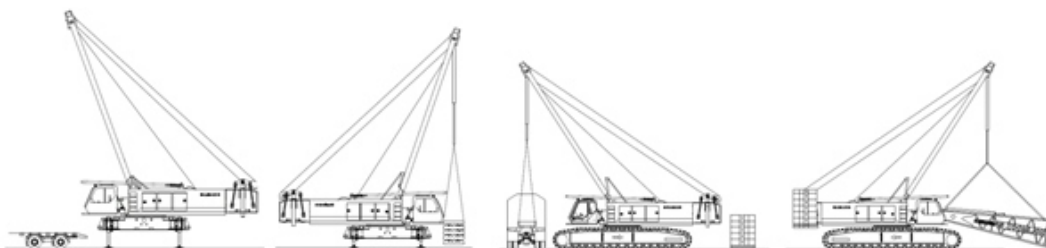
Multiple Boom Configurations - Five unique boom configurations for maximum flexibility in capacity and reach.



Transportability - Main Crane Assembly is easily transported to and from jobsite with standard outriggers for simple onloading and offloading. The cab rotates out of the way during transportation.



Self-Assembly Capability - A standard counterweight removal system and movable A-frame permits the crane to self-assemble.

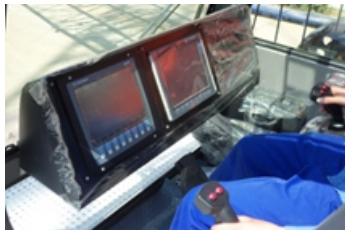


FEATURES

Operator Cab - Full-vision operator's cab is designed for maximum comfort and ease of operation.



Spacious interior with large display screens



Hirschmann LMI - Hirschmann LMI is the industry's leading electronic monitoring system available.



Cummins Diesel Engine - QSL9-280 diesel engine is EPA tier 3 compliant and is proven to have superior performance and durability.



MAIN SPECIFICATIONS

- Main Boom – 272 ft. Maximum
- Fixed Jib – 98 ft. Maximum with 10° & 30° Offset
- Luffing Jib – 197 ft. Maximum
- Main and Auxiliary Winches
- 16t, 30t, 50t, 160t and 272t Hook Blocks
- Auxiliary Lifting Sheave
- Rotation Resistant Wire Rope
- Cameras
- Deluxe Tilt Seat
- AM/FM Radio
- Air Conditioner / Heater
- Work Light Package
- Battery Disconnect Switch
- ANSI Approved

KEY / SYMBOLS

	Engine	p5
	Electric System & Controls	p5
	Hydraulic System	p5
	Winches	p5
	Swing	p6
	Counterweight	p6
	Cab	p6
	LMI	p6
	Chassis & Outriggers	p6
	Main Boom	p7
	Fixed Jib	p7
	Luffing Jib	p7

TECHNICAL DESCRIPTION



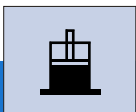
ENGINE

- Cummins QSL9-C305 Inline 6-cylinder intercooled turbo diesel.
- Maximum Kilowatts (hp) – 227 (304) @ 2000 rpm.
- Maximum Torque – Nm (ft-lb) – 1505 (1110) @ 1400 rpm.
- 700L (185 gal.) fuel tank capacity.
- US EPA / California ARB / Euro EU Tier 3 emission rating.



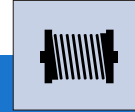
ELECTRICAL SYSTEM & CONTROLS

- Boom, Swing, Main and Auxiliary Winch functions are controlled with multi-axis joystick controls, which are also used to control left and right tracks for driving.
- Optional foot pedals for travel.
- Zoomlion employs a PLC control system with CAN – Bus communications to ensure complete system functionality and easy diagnostics.
- Large, color display in the cab reports system functions and is used for diagnostics.
- 24 volt system powered by 2-195 Amp-Hr batteries.



HYDRAULIC SYSTEM

- Dual variable displacement pumps supply hydraulic power for all main functions and for the hydraulic cooler, brakes and hydraulic controls
- The hydraulic system employs one of the world's most advanced pump control systems and load sensing systems.
- Maximum working pressure = 42 MPa (6000 psi).
- Total hydraulic system flow = 570 liter/min (150 gpm).
- Hydraulic Tank Capacity = 700 liter (185 gal).



WINCHES

- The primary and secondary lifting mechanisms are both comprised of an internal variable displacement axial plunger hydraulic motor, balance valve, speed reducer, normally closed brake, and wire ropes; they can be controlled independently of other mechanisms.
- Each winch features:
 - Grooved drum lagging.
 - Drum diameter: 650 mm (25.6”).
 - Maximum Permissible Line Pull – 15,000 kg (33,069 lb).
 - Maximum Line Speed (Top Layer) – 110 m/min (360 ft/min).
 - Rope length – 480 m (1575’) main, 370 m (1214’) aux.
- Power up / power down.
- Rope construction – 28 mm (1.10”) rotation resistant, compacted strand, imported from Germany.
- Derricking Winch Specifications:
 - Drum Diameter: 610 mm (24”).
 - Maximum Permissible Line Pull – 15,000 kg (33,069 lb).
 - Maximum Line Speed (Top Layer) – 29 m/min (95 ft/min).
 - Rope length – 140 m (460’) ea.
 - Rope diameter – 28 mm (1.10”).
- Optional Luffing Winch Specifications:
 - Maximum Line Speed (Top Layer) – 46 m/min (150 ft/min).
 - Rope diameter – 28 mm (1.10”).

TECHNICAL DESCRIPTION



SWING

- The slewing mechanism is comprised of an internal dual-variable displacement axial plunger hydraulic motor, double gear speed reducers, normally closed slewing brake, pinions and slewing bearings, which allows for full 360° swing.
- Maximum swing speed = 1.2 rpm.



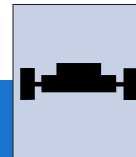
LMI

- Hirschmann iScout Expert LMI control system and graphic display load moment and anti-two block system with audio-visual warning and function limiter.
- System displays the following information: crane configuration, boom length, boom angle, load radius, allowed capacity, actual load, and load percentage of allowed capacity.
- System includes settable work parameters: min./max. Boom length, min./max. boom angle, defined swing area.



COUNTERWEIGHT

- Superstructure counterweights consist of 10 – 6.6t (14,5500 lb) counterweight slabs and one tray for a total of 85t (187,400 lb).
- 2-16t (35,275 lb) carbody counterweights are also included.



CHASSIS & OUTRIGGERS

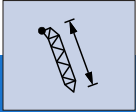
- Carbody and track frame weldments made of high quality steel for rigidity in lifting and travel.
- 24.5t (54,000 lb) track frames are removable.
- Crawler tracks are tensioned through jacks, making adjustment fast, easy and reliable.
- 2-speed drive motors are a dual-variable motor dual-reducer type from Rexroth for high reliability and durability.
- The two crawlers are controlled by two different control handles or with optional foot pedals to allow for multi-function operation during travel.
- Chassis is equipped with four outriggers to aid in self-assembly of crane. They are used for removing crane from trailer and as primary load carrying mechanism during track mounting.
- Maximum travel speed = 1.0 km/hr (0.62 mph).
- Maximum gradeability = 30°.



CAB

- Full-vision operator cab designed for maximum comfort. All steel fabrication with acoustical lining and tinted safety glass throughout. The cab has a sliding door on the left and a sliding window on the right with retractable shade and dual wipers. Fully adjustable deluxe seat with tilt.
- Temperature control is provided by a heater / air conditioning unit located in the rear of the cab. Easy view dashboard with large display for all gauges, engine sensors and diagnostics. Right side console features all switches for crane and driving functions. Standard amenities also include dome light, left-side rearview mirror, seat belt, signal horn, radio, sun visor & fan.

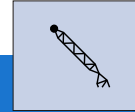
TECHNICAL DESCRIPTION



MAIN BOOM

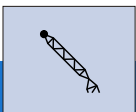
- Heavy Duty Boom
 - Welded, tubular construction using high strength steel.
 - Boom sections are pinned with positive lock pins.
 - Basic boom length (base and tip sections) is 20 m (66').
 - Additional boom sections are 3m and 9m (10' and 30') for a maximum boom length of 83m (272').

- Light Duty Boom
 - Utilizes same boom section as Heavy Duty with an additional transition piece and 9m (30') luffing jib section for a maximum boom length of 95m (312').



LUFFING JIB

- Optional luffing jib is welded, tubular construction using high strength steel.
- Jib sections are pinned with positive lock pins.
- Jib length can be varied from 24m (79') to 30m (197').
- Jib offsets are 15° to 75°.
- Maximum boom length with maximum boom and 60m jib = 122m (400').



FIXED JIB

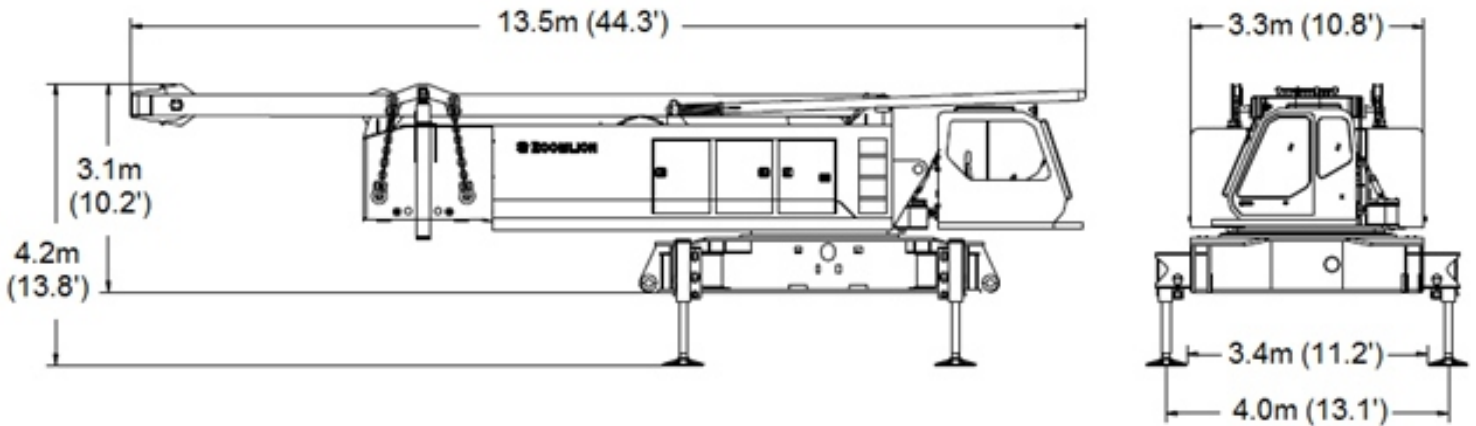
- Standard Fixed Jib
 - Optional fixed jib is welded, tubular construction using high strength steel.
 - Jib sections are pinned with positive lock pins.
 - Jib length can be varied from 12m (39') to 30m (98').
 - Jib offsets are 10° and 30°.
 - Maximum boom length with maximum boom and 18m jib = 107m (351').

- Heavy Fixed Jib
 - A 6m (20') heavy duty fixed jib is also available.
 - Jib offsets are 14° and 20°.
 - Maximum boom length with maximum boom and 6m jib = 83m (272').

CRANE AND COMPONENT WEIGHTS

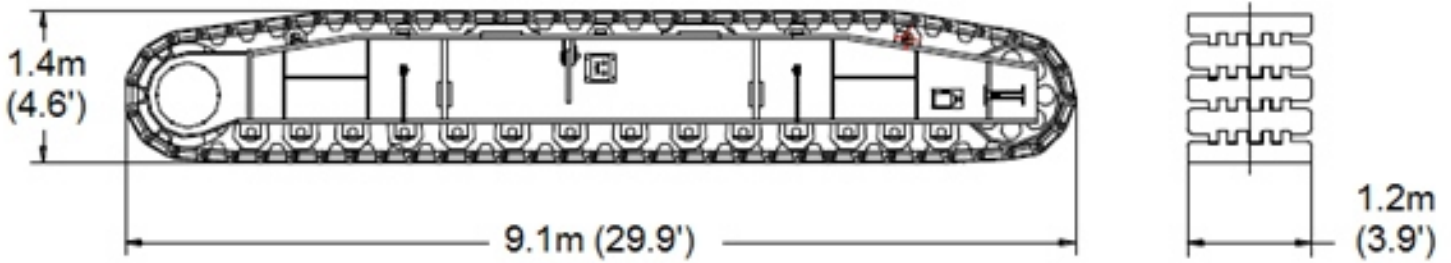
Basic Machine: 48t (105,800lb)

Number: 1



Track Frame: 25.5t (54,000lb)

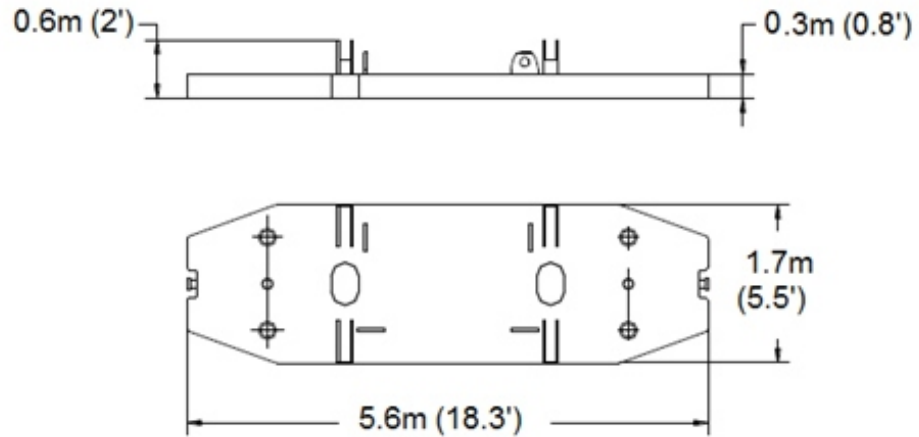
Number: 2



CRANE AND COMPONENT WEIGHTS

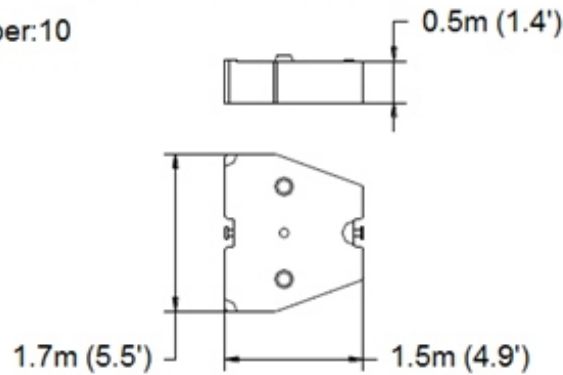
Counterweight Tray: 19t (41,900lb)

Number: 1



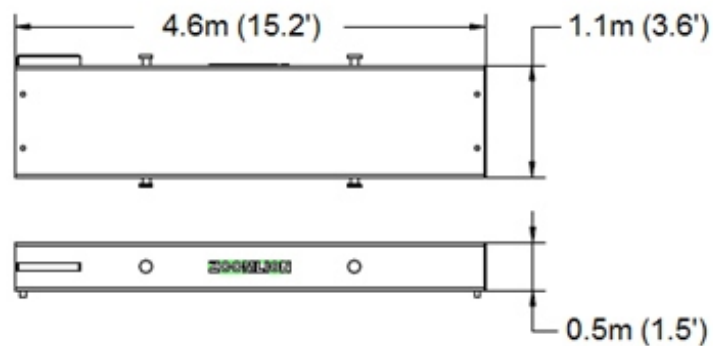
Rear Counterweight: 6.6t (14,600lb)

Number: 10



Carbody Counterweight: 16t (35,300lb)

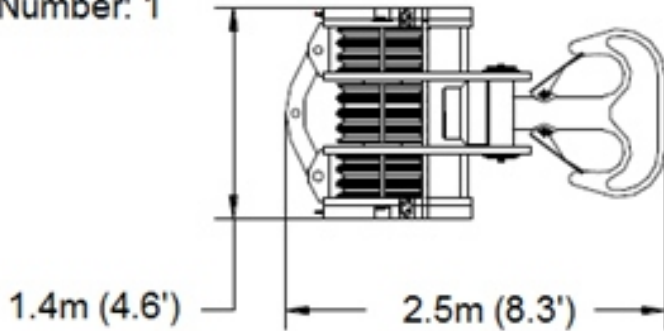
Number: 2



CRANE AND COMPONENT WEIGHTS

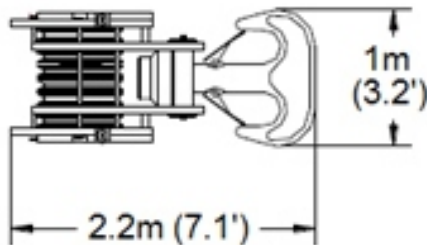
260t (287USt) Hookblock: 4.2t (9,260lb)

Number: 1



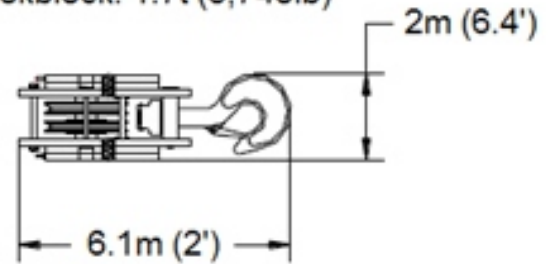
160t (176 USt) Hookblock: 2.8t (6,174lb)
100t (110 USt)

Number: 1



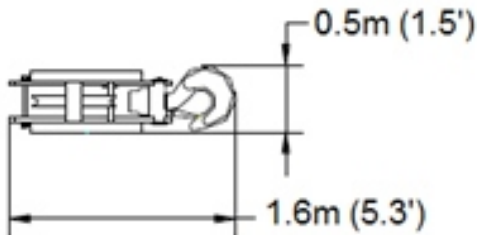
50t (55USt) Hookblock: 1.7t (3,748lb)

Number: 1



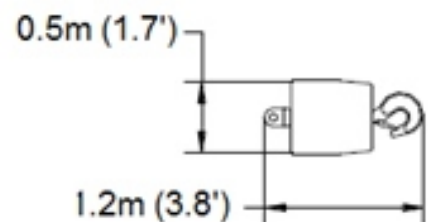
30t (33USt) Hookblock: 1.1t (2,360lb)

Number: 1



16t (18USt) Hookblock: 0.8t (1,764lb)

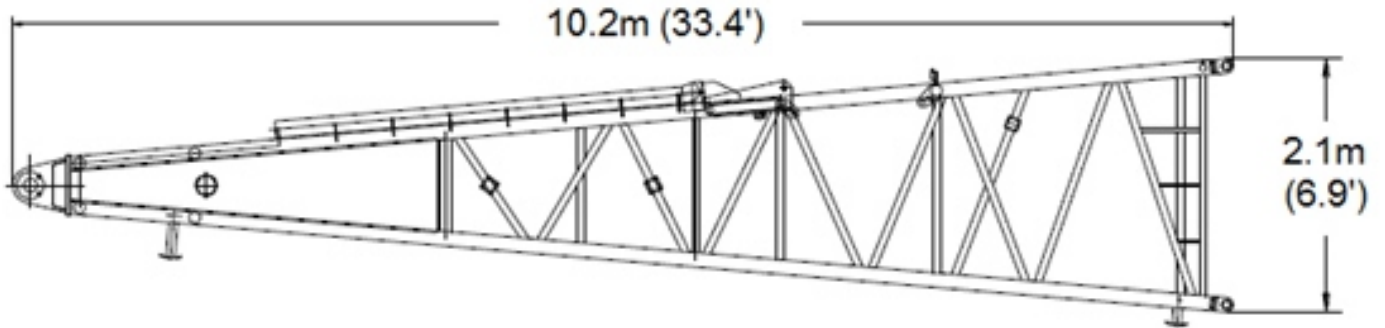
Number: 1



CRANE AND COMPONENT WEIGHTS

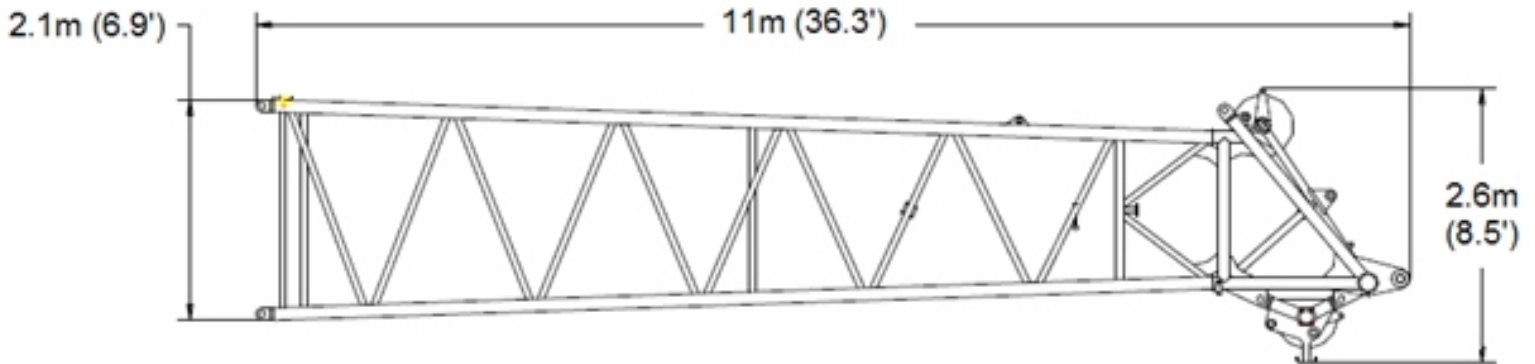
Main Boom Butt Section: 3t (6660 lb)

Number:1 Width: 2.3m (7.6')



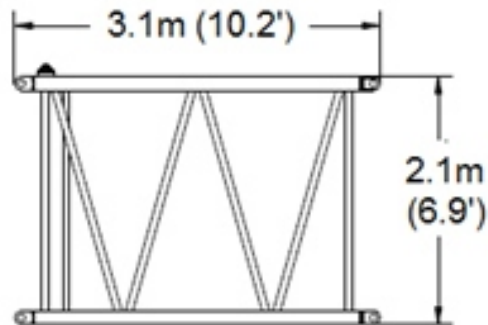
Main Boom Tip Section: 3.4t (7450lb)

Number:1 Width: 2.3m (7.6')



3m (10') Main Boom Intermediate Section: 0.7t (1588lb)

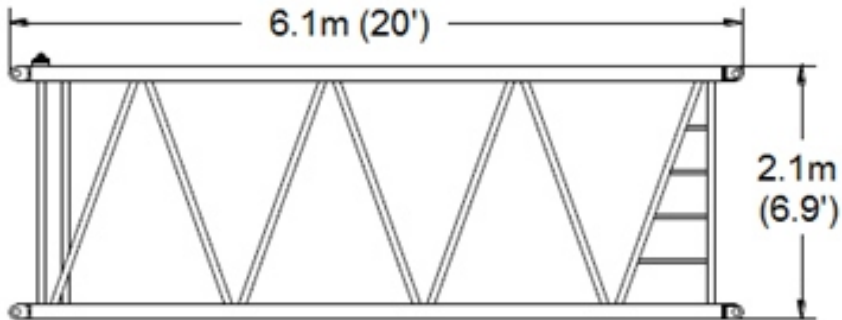
Number:1 Width: 2.3m (7.6')



CRANE AND COMPONENT WEIGHTS

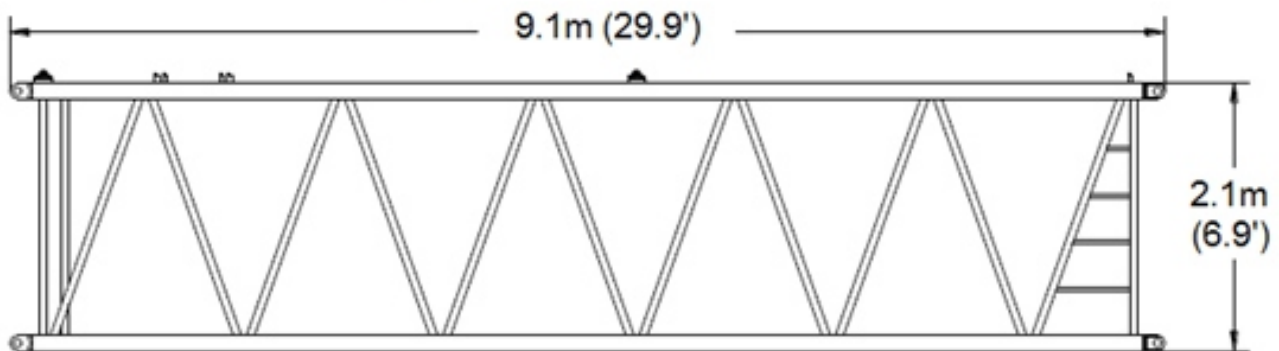
6m (20') Main Boom Intermediate Section: 1.2t (2,646lb)

Number:1 Width: 2.3m (7.6')



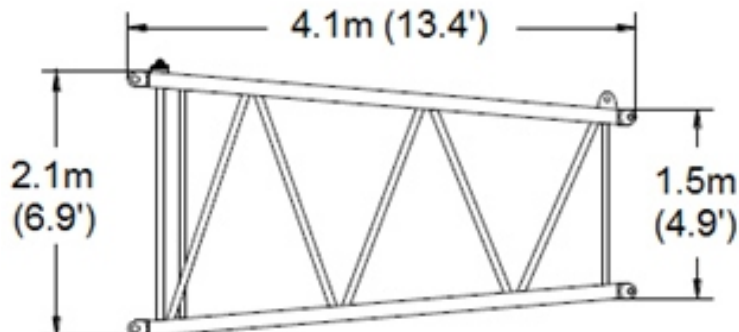
9m (30') Main Boom Intermediate Section: 1.8t (3,925lb)

Number: 6 Width: 2.3m (7.6')



4m (13.1') Reducing Section: 0.8t (1,808lb)

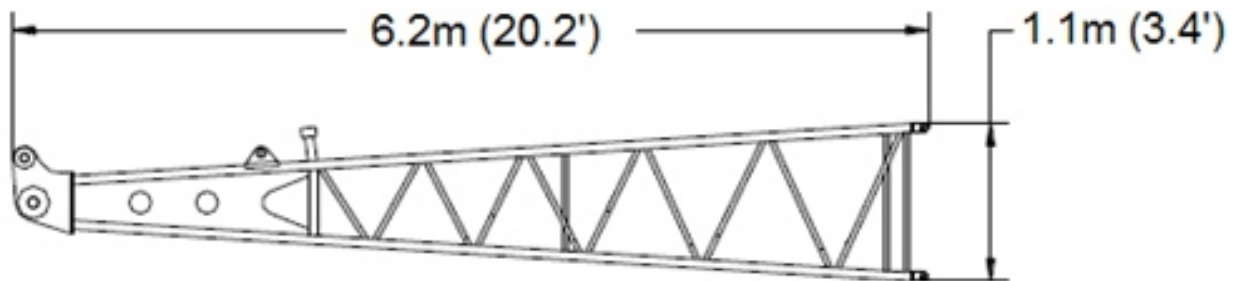
Number:1 Width: 2.3m (7.6')



CRANE AND COMPONENT WEIGHTS

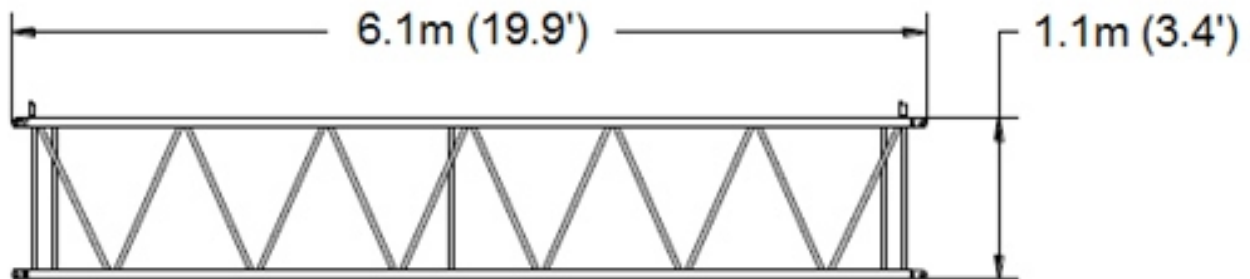
Fixed Jib Butt Section: 0.5t (1,036lb)

Number: 1 Width: 1.5m (5')



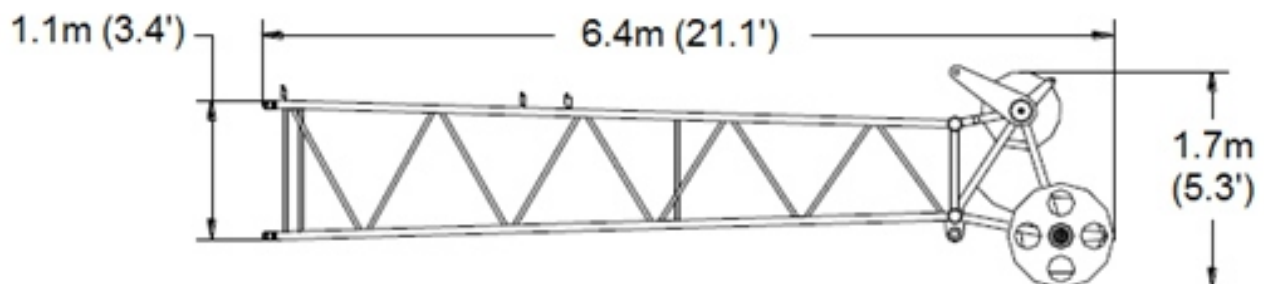
6m (20') Fixed Jib Intermediate Section: 0.3t (617lb)

Number: 3 Width: 1.2m (4.1')



Fixed Jib Tip Section: 0.6t (1,411lb)

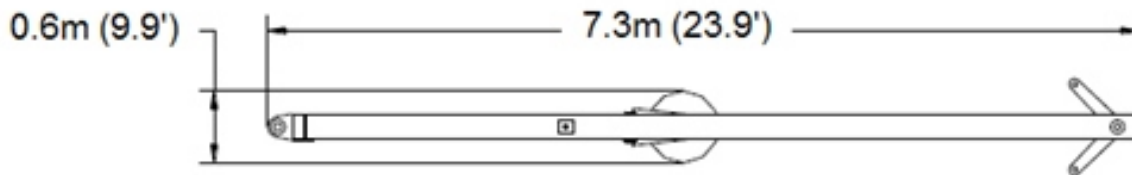
Number: 1 Width: 1.2m (4.1')



CRANE AND COMPONENT WEIGHTS

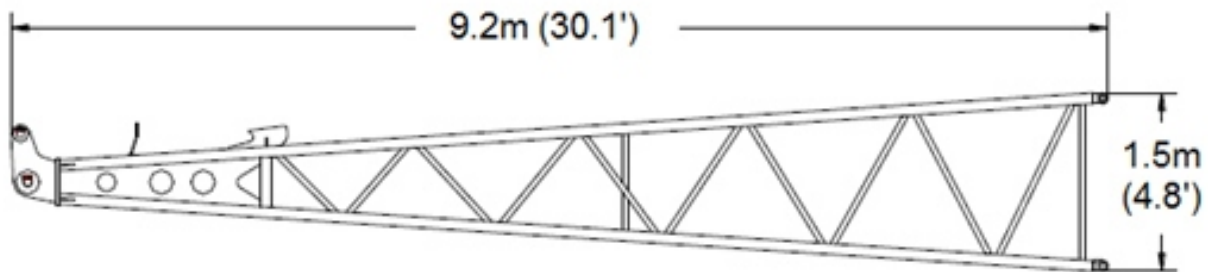
FA-frame: 0.8t (1,654lb)

Number: 1 Width: 1.5m (4.9')



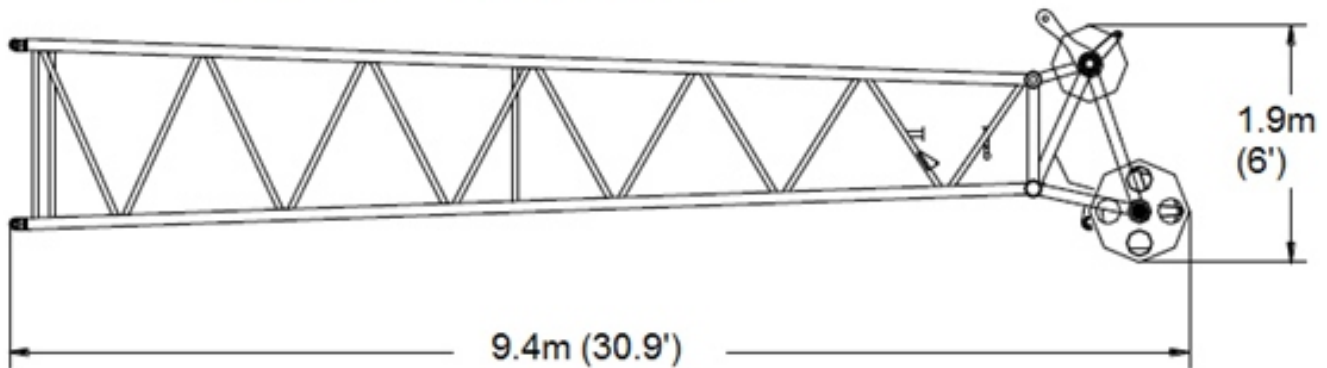
Luffing Jib Butt Section: 0.9t (2,007lb)

Number: 1 Width: 1.7m (5.5')



Luffing Jib Tip Section: 1.1t (2,426lb)

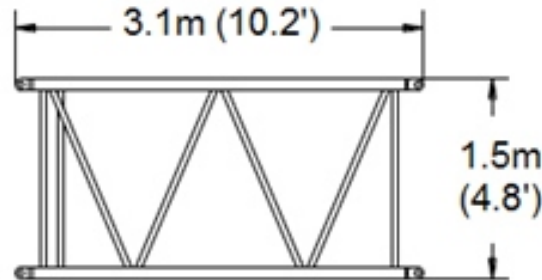
Number: 1 Width: 1.7m (5.5')



CRANE AND COMPONENT WEIGHTS

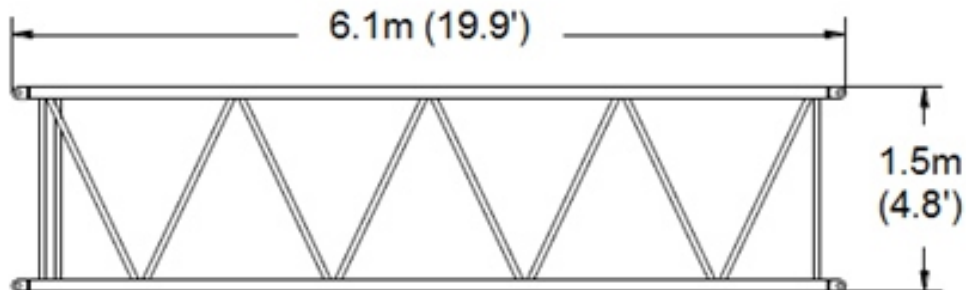
3m (10') Luffing Jib Intermediate Section: 0.3t (617lb)

Number: 1 Width: 1.7m (5.5')



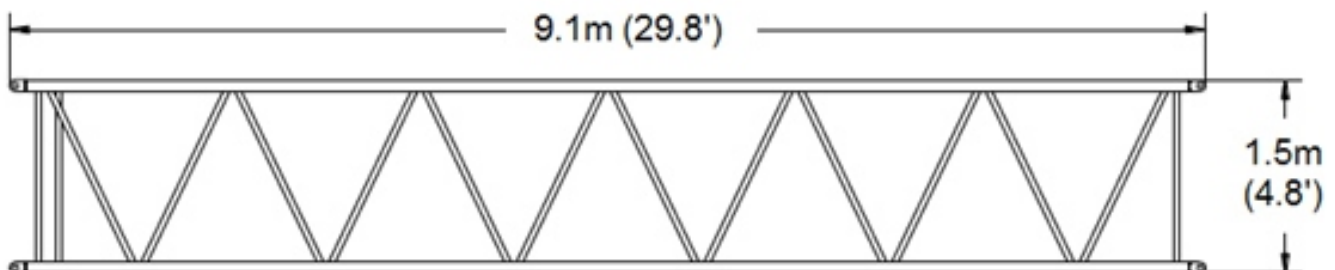
6m (20') Luffing Jib Intermediate Section: 0.5t (1103lb)

Number: 2 Width: 1.7m (5.5')



9m (30') Luffing Jib Intermediate Section: 0.7t (1,500lb)

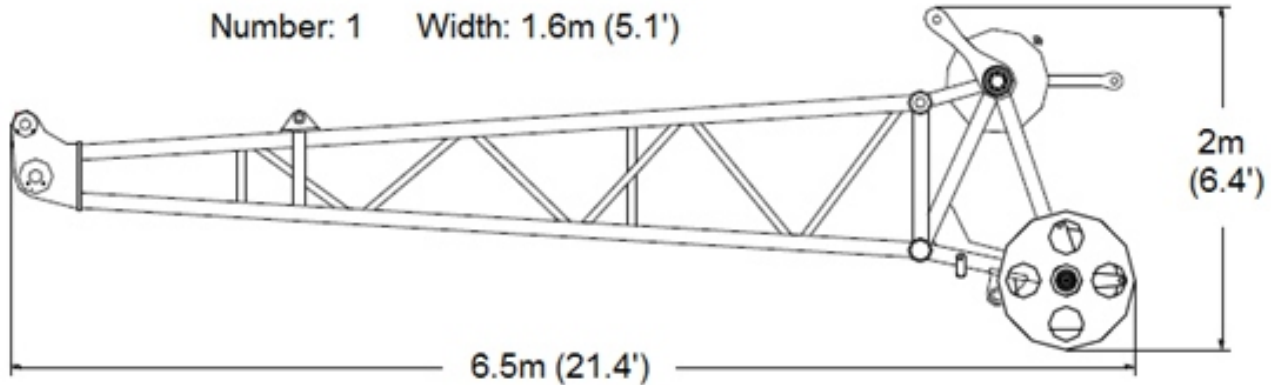
Number: 3 Width: 1.7m (5.5')



CRANE AND COMPONENT WEIGHTS

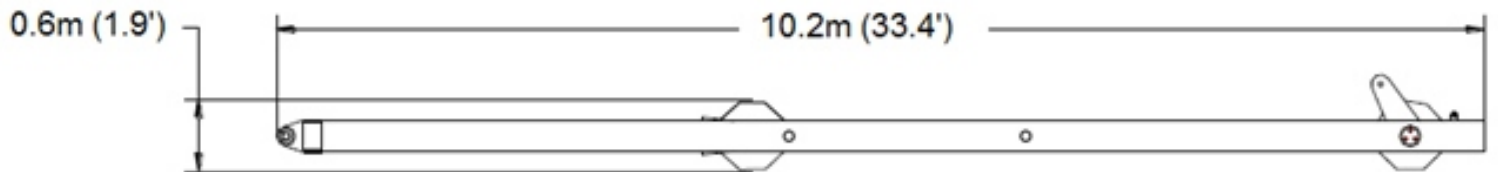
Heavy Fixed Jib: 1t (2,205lb)

Number: 1 Width: 1.6m (5.1')



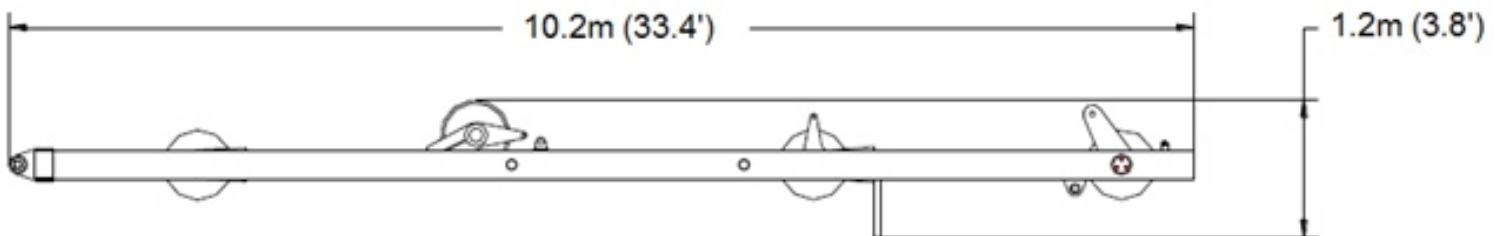
WA-frame 1: 1.5t (3,352lb)

Number: 1 Width: 1.4m (4.5')



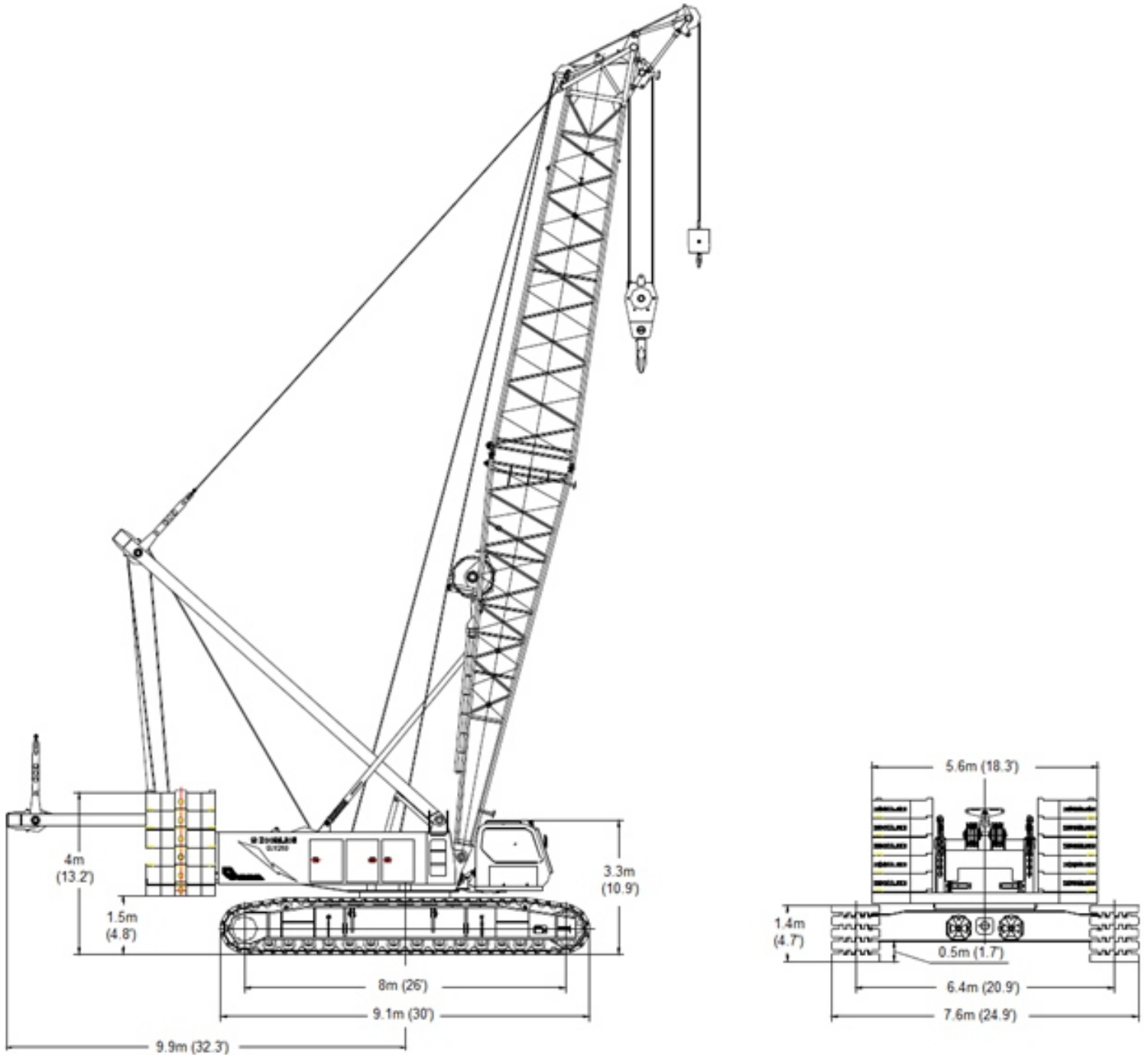
WA-frame 2: 1.7t (3,837lb)

Number: 1 Width: 1.7m (5.7')





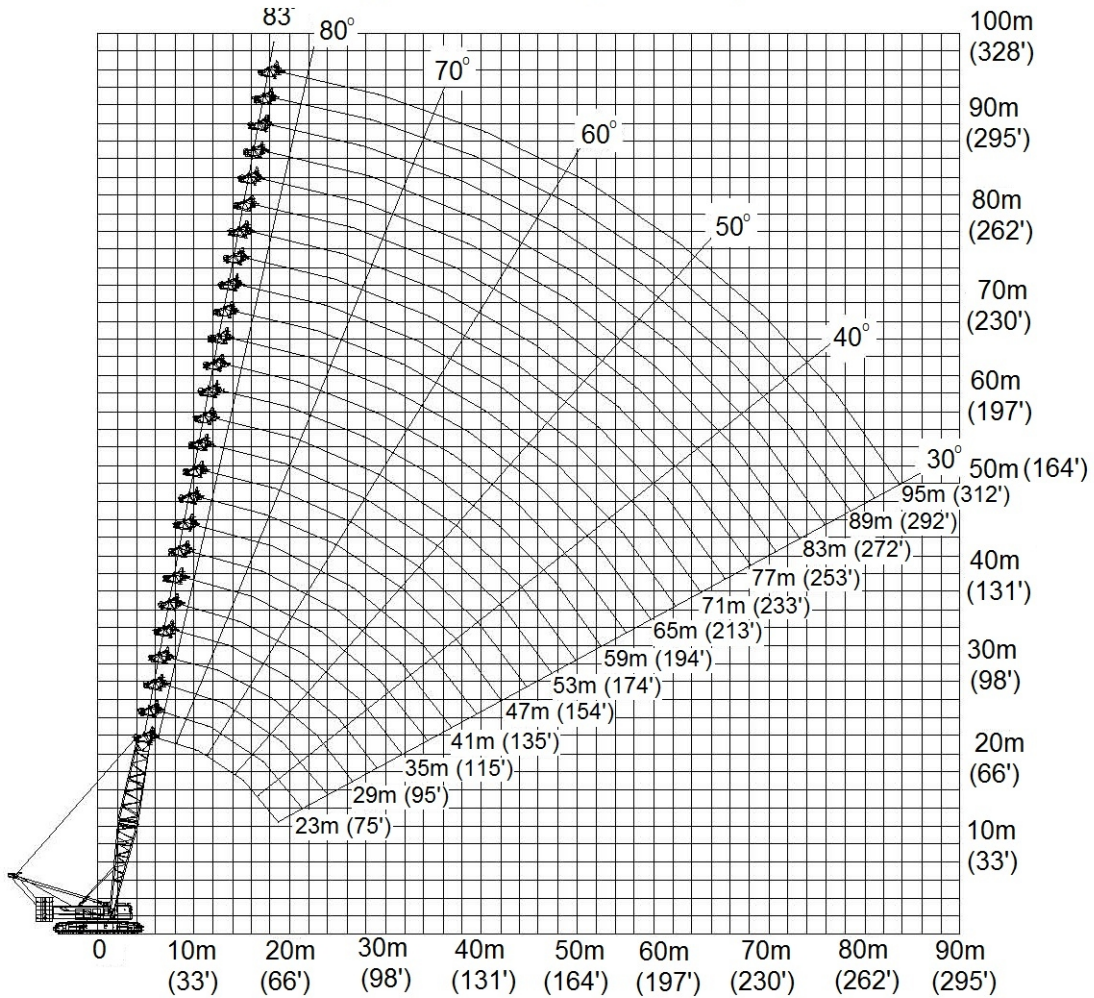
CRANE DIMENSIONS



WORKING RANGE DIAGRAM

MAIN BOOM (S&SL)

Working Range Diagram for Main Boom
(S & SL Configurations)

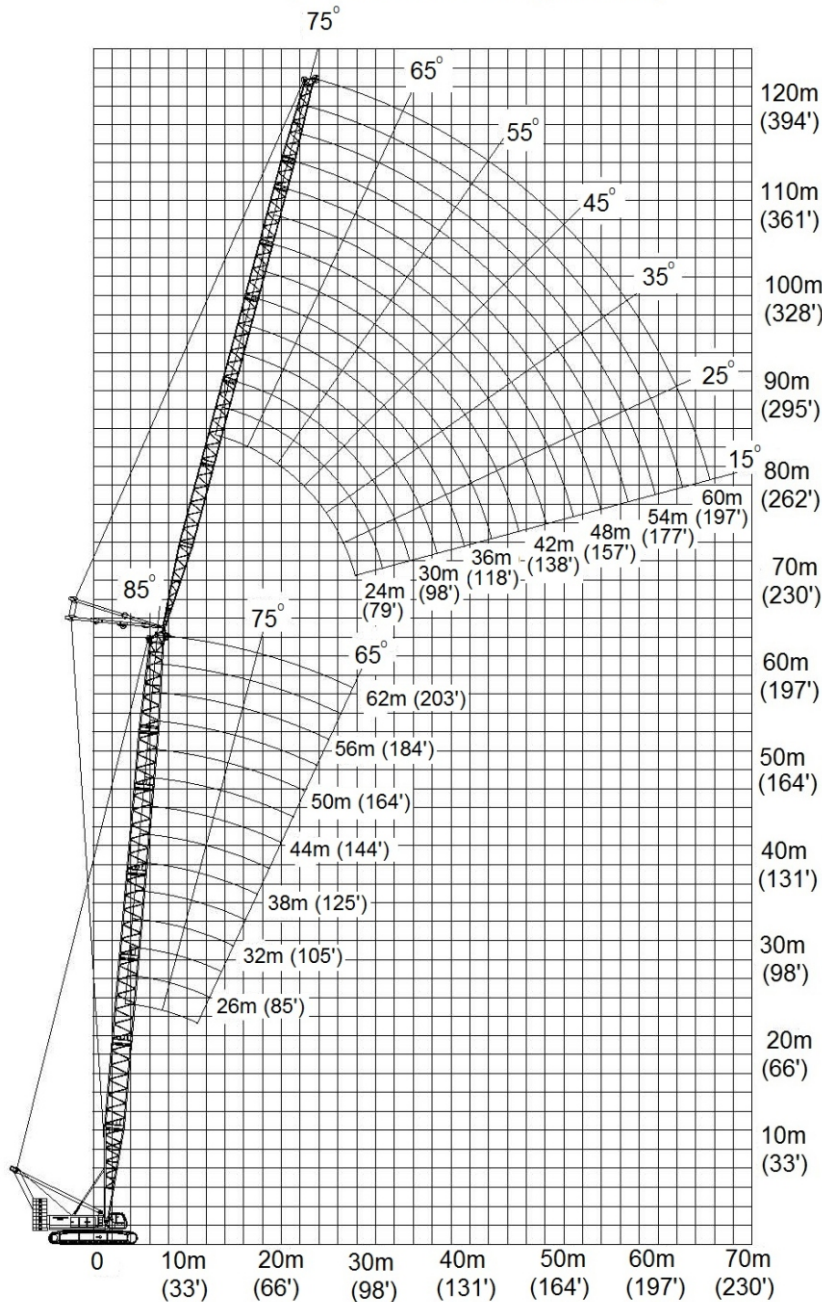




WORKING RANGE DIAGRAM

LUFFING JIB

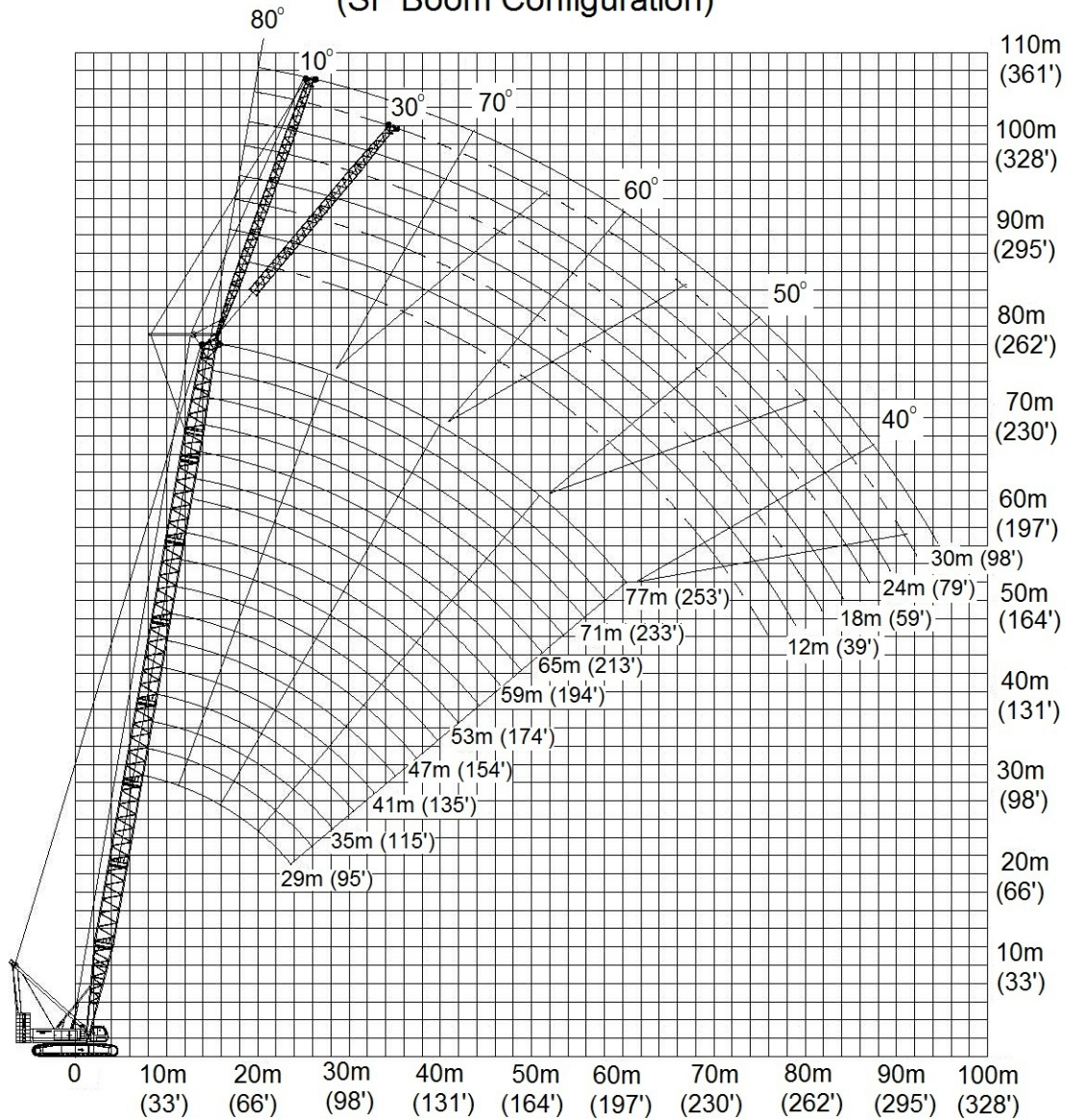
Working Range Diagram for Luffing Jib
(SW Boom Configuration)



WORKING RANGE DIAGRAM

FIXED JIB

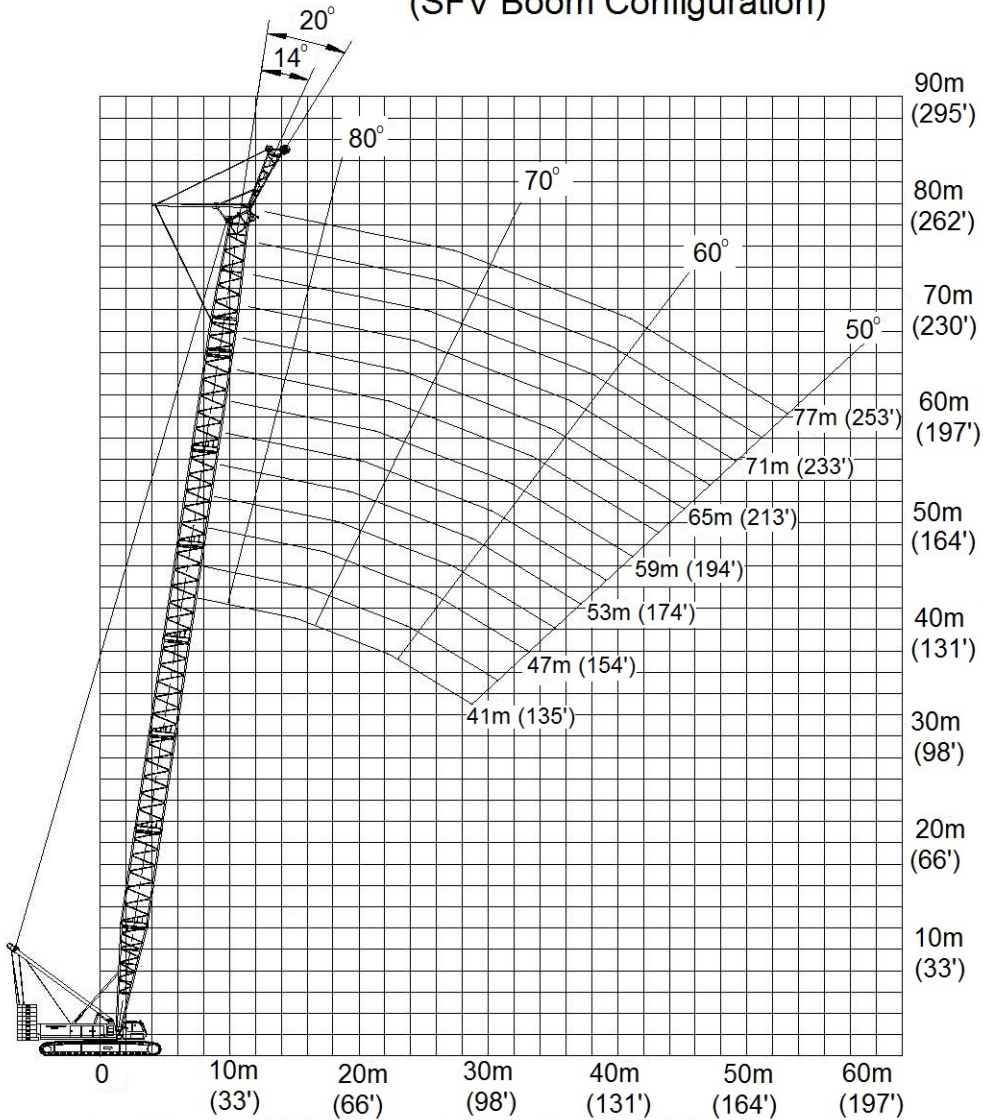
Working Range Diagram for Fixed Jib
(SF Boom Configuration)





WORKING RANGE DIAGRAM

HEAVY DUTY FIXED JIB


Working Range Diagram for Heavy Fixed Jib (SFV Boom Configuration)





 Main Boom - Heavy Duty (S Configuration)							
258,000 lbs. ctwt.		75% stability rating			ANSI B30.5		360° rating
S-Boom length (ft)	65'-7"	75'-5"	85'-3"	95'-1"	104'-11"	114'-9"	S-Boom length (ft)
RADIUS FT.	Capacity - lbs [x1000]						RADIUS FT.
16'-4"	600.0						16'-4"
19'-8"	500.5	442.8	425.8	405.7			19'-8"
22'-11"	420.5	420.1	416.7	383.7	359.4	355.0	22'-11"
26'-2"	385.9	367.4	362.7	358.3	349.3	328.5	26'-2"
29'-6"	296.8	296.6	296.6	296.1	296.1	295.9	29'-6"
32'-9"	291.1	286.7	282.2	277.6	273.2	268.8	32'-9"
39'-4"	226.9	226.5	226.0	225.4	224.9	224.0	39'-4"
45'-11"	183.0	183.0	182.6	182.1	181.9	181.3	45'-11"
52'-5"	152.4	152.1	151.7	151.5	151.5	151.0	52'-5"
59'-0"	130.0	130.1	129.9	129.4	129.2	129.2	59'-0"
65'-7"		113.6	113.3	113.3	113.3	113.3	65'-7"
72'-1"			100.5	100.5	100.3	100.3	72'-1"
78'-8"			89.7	89.7	89.7	89.5	78'-8"
85'-3"				80.7	80.7	80.7	85'-3"
91'-10"					73.2	73.2	91'-10"
98'-4"						66.8	98'-4"
104'-11"						61.5	104'-11"


		Main Boom - Heavy Duty (S Configuration)				
		258,000 lbs. ctwt.	75% stability rating		ANSI B30.5	360° rating
S-Boom length (ft)	124'-7"	134'-5"	144'-3"	154'-1"	164'-0"	S-Boom length (ft)
RADIUS FT.	Capacity - lbs [x1000]					RADIUS FT.
26'-2"	328.5	297.7	260.2			26'-2"
29'-6"	295.7	273.4	247.0	247.0		29'-6"
32'-9"	268.8	264.2	242.6	242.6	224.9	32'-9"
39'-4"	219.4	215.0	215.0	210.6	205.9	39'-4"
45'-11"	181.0	180.8	179.3	179.3	174.6	45'-11"
52'-5"	151.0	150.8	150.8	150.6	150.6	52'-5"
59'-0"	129.2	129.2	129.2	129.2	129.0	59'-0"
65'-7"	113.3	112.9	112.7	112.5	112.0	65'-7"
72'-1"	100.1	99.9	99.4	99.2	98.8	72'-1"
78'-8"	89.1	88.9	88.6	88.4	88.0	78'-8"
85'-3"	80.5	80.3	79.8	79.6	79.2	85'-3"
91'-10"	73.0	72.5	72.3	72.1	71.9	91'-10"
98'-4"	66.8	66.6	66.2	65.9	65.3	98'-4"
104'-11"	61.1	60.9	60.6	60.4	60.0	104'-11"
111'-6"	56.4	56.2	55.8	55.6	54.9	111'-6"
118'-0"		51.8	51.6	50.7	50.3	118'-0"
124'-7"			47.8	47.2	46.5	124'-7"
131'-2"			44.1	43.7	42.8	131'-2"
137'-9"				40.4	39.7	137'-9"
144'-3"					36.8	144'-3"


Main Boom - Heavy Duty (S Configuration)							
258,000 lbs. ctwt.		75% stability rating		ANSI B30.5		360° rating	
S-Boom length (ft)	173'-10"	183'-8"	193'-6"	203'-4"	213'-2"	223'-0"	S-Boom length (ft)
RADIUS FT.	Capacity - lbs [x1000]						RADIUS FT.
32'-9"	216.1	189.6					32'-9"
39'-4"	205.9	187.4	183	176.4	154.4	149.9	39'-4"
45'-11"	174.6	170.2	170.2	154.4	149.9	134.3	45'-11"
52'-5"	147.7	147.7	147.7	143.3	143.3	141.1	52'-5"
59'-0"	128.6	128.3	127.9	126.1	124.8	123.3	59'-0"
65'-7"	111.8	111.4	110.9	110.7	108.9	107.8	65'-7"
72'-1"	99.3	98.1	97.9	97.2	96.6	95.5	72'-1"
78'-8"	87.8	87.1	86.9	86.7	84.9	83.8	78'-8"
85'-3"	78.7	78.5	78.1	77.6	76.7	76.1	85'-3"
91'-10"	71.4	71	70.1	69.5	68.8	67.9	91'-10"
98'-4"	65	64.4	63.5	62.6	62	61.3	98'-4"
104'-11"	58.4	57.6	56.9	55.8	55.1	54.2	104'-11"
111'-6"	54	53.4	52.5	51.8	50.7	50.1	111'-6"
118'-0"	49.6	48.7	47.8	47.2	46.5	45.4	118'-0"
124'-7"	45.2	44.8	44.1	43	42.3	41.7	124'-7"
131'-2"	41.9	41.2	40.4	39.7	39	37.9	131'-2"
137'-9"	38.8	37.9	37.3	36.6	35.5	34.8	137'-9"
144'-3"	35.9	35.1	34.4	33.5	32.6	32	144'-3"
150'-10"	33.3	32.6	31.8	30.9	30.2	29.3	150'-10"
157'-5"		30.2	29.5	28.4	27.8	27.1	157'-5"
164'-0"		28	27.3	26.2	25.6	24.9	164'-0"
170'-6"			25.1	24.5	23.6	22.7	170'-6"
177'-1"				22.5	21.8	20.9	177'-1"
183'-8"					20.1	19.6	183'-8"
190'-2"					18.5	17.6	190'-2"
196'-9"						16.3	196'-9"

 Main Boom - Heavy Duty (S Configuration) 258,000 lbs. ctwt. 75% stability rating ANSI B30.5 360° rating						
S-Boom length (ft)	232'-10"	242'-8"	252'-6"	262'-4"	272'-2"	S-Boom length (ft)
RADIUS FT.	Capacity - lbs [x1000]					RADIUS FT.
39'-9"	134.3	122.2	110.9			39'-9"
45'-11"	130.5	118.6	108	95.3	86.9	45'-11"
52'-5"	126.6	115.1	104.5	92.4	83.8	52'-5"
59'-0"	120.8	111.1	98.6	89.5	81.1	59'-0"
65'-7"	106.7	105.2	95.7	86.9	78.9	65'-7"
72'-1"	94.2	92.8	91.5	84	76.1	72'-1"
78'-8"	83.8	82.5	81.6	80.5	73.6	78'-8"
85'-3"	75.4	74.1	73.2	71.9	70.8	85'-3"
91'-10"	67.3	66.4	65.5	64.6	63.7	91'-10"
98'-4"	60.2	59.5	58.9	58	57.1	98'-4"
104'-11"	54.2	53.8	52.7	52	51.4	104'-11"
111'-6"	49.4	48.3	47.6	47	46.3	111'-6"
118'-0"	44.8	44.1	43.2	42.3	41.7	118'-0"
124'-7"	40.8	39.9	39.2	38.4	37.7	124'-7"
131'-2"	37.3	36.6	35.5	34.8	34.2	131'-2"
137'-9"	34.2	33.1	32.4	31.8	30.9	137'-9"
144'-3"	31.1	30.4	29.5	28.9	28.7	144'-3"
150'-10"	28.4	27.8	27.3	26.9	26.5	150'-10"
157'-5"	26	25.8	25.4	24.9	24.3	157'-5"
164'-0"	24.3	24	23.6	23.2	22.1	164'-0"
170'-6"	22.7	22.3	21.8	21.4	20.5	170'-6"
177'-1"	20.1	20.7	20.3	19.6	18.7	177'-1"
183'-8"	19.4	19.2	18.7	18.1	18.1	183'-8"
190'-2"	18.3	17.9	17.4	16.8	16.1	190'-2"
196'-9"	17	16.5	16.1	15.4	14.6	196'-9"
203'-4"	15.9	15.4	15	14.3	13.7	203'-4"
209'-11"		14.3	13.9	13.2	12.3	209'-11"
216'-5"		12.6	12.8	12.1	11.2	216'-5"
223'-0"			11.5	11.2	10.1	223'-0"
229'-7"				10.4	9.9	229'-7"
236'-1"					8.4	236'-1"

 Main Boom - Light Duty (SL Configuration)					
258,000 lbs. ctwt.		75% stability rating		ANSI B30.5	360° rating
SL-Boom length (ft)	282'-0"	291'-11"	301'-9"	311'-7"	SL-Boom length (ft)
RADIUS FT.	Capacity - lbs [x1000]				RADIUS FT.
52'-5"	68.1	62.0	55.8		52'-5"
59'-0"	66.2	60.2	54.9	46.3	59'-0"
65'-7"	65.9	57.1	52.9	45	65'-7"
72'-1"	61.5	54.2	50.3	43.4	72'-1"
78'-8"	59.5	52.7	47.8	41.9	78'-8"
85'-3"	57.6	50.7	45.4	39.7	85'-3"
91'-10"	55.6	48.5	43.7	37.5	91'-10"
98'-4"	50.9	46.3	42.3	35.3	98'-4"
104'-11"	46.7	44.8	40.4	34.8	104'-11"
111'-6"	42.8	41	39	31.8	111'-6"
118'-0"	39.2	37.7	36.4	28.7	118'-0"
124'-7"	35.9	34.6	34.6	26.2	124'-7"
131'-2"	32.9	32.2	32	23.8	131'-2"
137'-9"	30.4	29.8	29.5	21.6	137'-9"
144'-3"	28	27.3	27.1	19.8	144'-3"
150'-10"	25.8	25.4	25.1	18.1	150'-10"
157'-5"	23.8	23.2	22.9	16.3	157'-5"
164'-0"	21.8	21.2	20.9	14.8	164'-0"
170'-6"	20.1	19.4	19.2	13.2	170'-6"
177'-1"	18.5	17.9	17.6	11.7	177'-1"
183'-8"	17	16.3	16.1	10.6	183'-8"
190'-2"	15.7	14.8	14.6	9.5	190'-2"
196'-9"	14.3	13.5	13.2	8.4	196'-9"
203'-4"	13	12.3	12.1	7.3	203'-4"
209'-11"	11.9	11.2	11	6.4	209'-11"
216'-5"	11	10.1	9.9	6	216'-5"
223'-0"	9.9	8.8	8.6	5.7	223'-0"
229'-7"	9	7.5	6.2	5.5	229'-7"
236'-1"	8.2	6.2	6	5.3	236'-1"
242'-8"	7.5	6	5.7	5.1	242'-8"
249'-3"		5.7	5.5	5.1	249'-3"
255'-10"		5.5	5.3	4.9	255'-10"
262'-4"			4.9	4.6	262'-4"
268'-11"				4.4	268'-11"

 Luffing jib on heavy duty boom (SW Configuration) 258,000 lbs. ctwt. 75% stability rating ANSI B30.5 360° rating															
S-Boom length (ft)		75'-5"										S-Boom length (ft)			
W-luffing jib length (ft)		68'-10"			88'-6"			108'-2"			127'-11"			W-luffing jib length (ft)	
RADIUS FT.		Capacity - lbs [x1000]									RADIUS FT.				
	85	75	65	85	75	65	85	75	65	85	75	65			
36'-0"	162.1												36'-0"		
39'-4"	161.0			150.2									39'-4"		
45'-11"	156.6			137.8			123.5						45'-11"		
52'-5"	149.9			126.1			116.9			91.7			52'-5"		
59'-0"	130.5	116.9		115.5			108.9			89.1			59'-0"		
65'-7"	112.2	116.2		104.1			101.9			86.2			65'-7"		
72'-1"	86.9	99.7		90.0			89.5			80.7			72'-1"		
78'-8"		88.9		78.1	90.6		77.4			72.3			78'-8"		
85'-3"		82.5	83.1	62.8	82.0		61.7	81.6		61.7	71.0		85'-3"		
91'-10"		75.4	76.1	150.2	75.0		123.5	72.5		54.2	70.6		91'-10"		
98'-4"		71.4	70.1		68.8	69.7	116.9	66.4		48.1	66.2		98'-4"		
104'-11"			65.0		64.2	64.6	108.9	63.9	64.2	44.1	61.7		104'-11"		
111'-6"					61.5	60.2	101.9	61.1	59.8	91.7	58.2		111'-6"		
118'-0"					57.3	56.2		56.4	56.0	89.1	54.7	55.3	118'-0"		
124'-7"						52.5		53.6	52.5	86.2	51.4	51.8	124'-7"		
131'-2"								50.5	49.4	80.7	48.1	48.7	131'-2"		
137'-9"									46.3	72.3	45.0	46.1	137'-9"		
144'-3"									43.9		42.6	43.7	144'-3"		
150'-10"											36.2	41.5	150'-10"		
157'-5"												39.0	157'-5"		

 Luffing jib on heavy duty boom (SW Configuration)															
258,000 lbs. ctwt.			75% stability rating				ANSI B30.5			360° rating					
S-Boom length (ft)		104'-11"										S-Boom length (ft)			
W-luffing jib length (ft)		68'-10"			88'-6"			108'-2"			127'-11"			W-luffing jib length (ft)	
RADIUS FT.		Capacity - lbs [x1000]									RADIUS FT.				
		85	75	65	85	75	65	85	75	65	85	75	65		
39'-4"		158.8										39'-4"			
45'-11"		152.6			149.9			120.4						45'-11"	
52'-5"		145.5			137.8			111.8			92.6			52'-5"	
59'-0"		134.9			127.4			111.6			90.2			59'-0"	
65'-7"		119.3	115.5		112.0			101.7			88.0			65'-7"	
72'-1"		96.1	102.8		94.8			86.2			81.1			72'-1"	
78'-8"		71.9	92.6		70.6	92.2		70.1			69.2			78'-8"	
85'-3"			84.2		61.7	83.8		60.9	83.6		60.0			85'-3"	
91'-10"			77.0		57.3	76.7		55.6	76.3		54.2	76.1		91'-10"	
98'-4"			70.8	67.7	56.2	70.8		51.2	70.6		50.3	69.7		98'-4"	
104'-11"				62.6		65.7	62.2	48.7	65.3		47.6	64.6		104'-11"	
111'-6"				58.4		61.1	58.0	46.5	60.9		45.9	60.2		111'-6"	
118'-0"				54.2		57.1	54.2	47.4	56.7	53.6	44.5	56.2		118'-0"	
124'-7"								50.7	53.1	50.5	43.7	52.9		124'-7"	
131'-2"								47.6	50.1	47.4	41.5	49.8	47.0	131'-2"	
137'-9"								45.0	47.0	44.5	38.6	47.0	44.3	137'-9"	
144'-3"										42.1		44.3	41.9	144'-3"	
150'-10"										40.1		41.9	39.7	150'-10"	
157'-5"												39.7	37.7	157'-5"	
164'-0"													35.9	164'-0"	
170'-6"													34.2	170'-6"	

 Luffing jib on heavy duty boom (SW Configuration)															
258,000 lbs. ctwt.				75% stability rating				ANSI B30.5				360° rating			
S-Boom length (ft)		124'-7"										S-Boom length (ft)			
W-luffing jib length (ft)		68'-10"			88'-6"			108'-2"			127'-11"			W-luffing jib length (ft)	
RADIUS FT.		Capacity - lbs [x1000]									RADIUS FT.				
		85	75	65	85	75	65	85	75	65	85	75	65		
39'-4"	156.6													39'-4"	
45'-11"	143.1				150.4									45'-11"	
52'-5"	132.3				138.3			121.9						52'-5"	
59'-0"	115.8				126.8			112.5			90.0			59'-0"	
65'-7"	93.7	101.4			114.4			102.8			86.9			65'-7"	
72'-1"	70.1	91.1			103.4			93.9			81.1			72'-1"	
78'-8"		82.9			90.6			86.4			76.3			78'-8"	
85'-3"		76.1			80.9	82.5		80.3			72.3			85'-3"	
91'-10"		69.7			71.7	75.6		77.0	75.2		69.9			91'-10"	
98'-4"		64.6	60.9		66.2	69.7		71.4	69.0		67.0	68.8		98'-4"	
104'-11"			56.7		64.6			65.7	64.2		63.9	63.5		104'-11"	
111'-6"			52.9		60.2			59.1	59.8		57.1	59.1		111'-6"	
118'-0"			49.8		56.0	52.5		51.6	55.6		50.7	55.3		118'-0"	
124'-7"					52.5	49.4		52.3			44.1	51.8		124'-7"	
131'-2"						46.3		49.2	45.6		41.5	48.7		131'-2"	
137'-9"						43.9		46.3	43.2		39.7	46.1	43.0	137'-9"	
144'-3"						41.5		43.9	41.2		43.7	40.6		144'-3"	
150'-10"									38.8		41.2	38.4		150'-10"	
157'-5"									37.0		39.0	36.6		157'-5"	
164'-0"									35.1			34.6		164'-0"	
170'-6"												33.3		170'-6"	

Luffing jib on heavy duty boom (SW Configuration)																
258,000 lbs. ctwt.		75% stability rating				ANSI B30.5				360° rating						
S-Boom length (ft)		154'-1"										S-Boom length (ft)				
W-luffing jib length (ft)		68'-10"			88'-6"			108'-2"			127'-11"			W-luffing jib length (ft)		
RADIUS FT.		Capacity - lbs [x1000]									RADIUS FT.					
		85	75	65	85	75	65	85	75	65	85	75	65			
45'-11"		142.9			129.7											45'-11"
52'-5"		130.3			115.8			113.1								52'-5"
59'-0"		117.1			103.4			101.7			91.7					59'-0"
65'-7"		104.7			94.4			92.4			89.3					65'-7"
72'-1"		94.4			86.2			84.0			86.9					72'-1"
78'-8"		85.3	88.6		79.2			77.2			82.7					78'-8"
85'-3"		73.0	80.7		73.0			71.7			75.9					85'-3"
91'-10"			73.9		67.5	63.3		66.8			70.3					91'-10"
98'-4"			68.1			58.9		62.6	56.9		66.2					98'-4"
104'-11"			63.3			54.5		58.7	53.4		61.3	52.0				104'-11"
111'-6"			58.7			50.7		55.1	49.6		57.1	51.6				111'-6"
118'-0"				50.5		47.4			46.3		53.8	48.3				118'-0"
124'-7"				47.4		44.5			43.4		50.3	45.2				124'-7"
131'-2"				44.5			36.6		40.8		47.2	42.3				131'-2"
137'-9"				41.9				34.4	38.4	33.1	44.1	39.9				137'-9"
144'-3"								32.4	37.9	31.3		37.3				144'-3"
150'-10"								30.0	37.5	29.5		35.3	28.7			150'-10"
157'-5"								28.4		28.0		33.3	28.2			157'-5"
164'-0"									26.7			31.5	26.9			164'-0"
170'-6"									25.8			31.1	25.6			170'-6"
177'-1"									24.3				24.0			177'-1"
183'-8"													22.9			183'-8"

Luffing jib on heavy duty boom (SW Configuration)													
258,000 lbs. ctwt.		75% stability rating				ANSI B30.5				360° rating			
S-Boom length (ft)		173'-10"										S-Boom length (ft)	
W-luffing jib length (ft)		137'-9"		157'-5"		177'-1"		196'-9"		W-luffing jib length (ft)			
RADIUS FT.	Capacity - lbs [x1000]											RADIUS FT.	
	85	75	65	85	75	65	85	75	65	85	75		65
65'-7"	78.5			56.2									65'-7"
72'-1"	76.7			54.9			43.2						72'-1"
78'-8"	75.0			53.6			41.9			26.5			78'-8"
85'-3"	71.0			52.3			40.6			25.1			85'-3"
91'-10"	66.2			50.9			39.5			24.3			91'-10"
98'-4"	61.3			50.1			38.4			23.6			98'-4"
104'-11"	57.1			49.0			37.3			22.7			104'-11"
111'-6"	53.1			47.4			36.4			22.1			111'-6"
118'-0"	50.1	46.1		43.9	41.0		35.5			21.4			118'-0"
124'-7"	47.0	43.2		40.8	38.6		34.8			20.7			124'-7"
131'-2"	44.1	40.6		38.4	36.4		34.0	32.9		20.1			131'-2"
137'-9"	42.1	37.9		35.9	34.4		32.6	31.8		19.6			137'-9"
144'-3"	39.7	35.7		34.0	32.6		30.2	30.9		19.2	21.4		144'-3"
150'-10"	37.5	33.7		32.0	30.9		26.7	30.2		18.7	20.5		150'-10"
157'-5"		32.2		30.2	29.3		25.1	29.3		17.9	20.1		157'-5"
164'-0"		30.6	23.2	26.5	28.0		23.8	28.4		17.0	19.6		164'-0"
170'-6"		29.1	22.3		26.9	20.7	22.5	27.1		16.3	19.2		170'-6"
177'-1"		28.0	20.9		25.6	19.4	21.4	25.1		15.2	18.3		177'-1"
183'-8"		26.7	20.3		24.5	18.3	20.3	23.4		14.6	17.9		183'-8"
190'-2"			19.2		23.4	17.2	19.2	22.1	16.3	13.9	17.4		190'-2"
196'-9"			18.5		22.5	16.5		20.9	15.9	13.5	16.5		196'-9"
203'-4"			17.6			16.1		20.3	15.0	12.6	15.9	13.2	203'-4"
209'-11"			16.5			15.7		19.6	14.6	12.1	14.8	12.3	209'-11"
216'-5"						14.6		19.0	13.7		14.1	11.7	216'-5"
223'-0"						13.9		18.3	13.0		13.5	10.8	223'-0"
229'-7"									12.6		13.0	10.1	229'-7"
236'-1"									12.1		12.6	9.7	236'-1"
242'-8"									11.7			9.0	242'-8"
249'-3"									11.0			8.6	249'-3"
255'-10"												8.2	255'-10"
262'-4"												7.7	262'-4"

Luffing jib on heavy duty boom (SW Configuration)															
258,000 lbs. ctwt.			75% stability rating				ANSI B30.5			360° rating					
S-Boom length (ft)		203'-4"										S-Boom length (ft)			
W-luffing jib length (ft)		68'-10"			88'-6"			108'-2"			127'-11"			W-luffing jib length (ft)	
RADIUS FT.		Capacity - lbs [x1000]									RADIUS FT.				
		85	75	65	85	75	65	85	75	65	85	75	65		
45'-11"		129.7			111.6									45'-11"	
52'-5"		113.1			99.2									52'-5"	
59'-0"		101.2			89.5			97.9						59'-0"	
65'-7"		91.1			81.4			87.5			85.6			65'-7"	
72'-1"		82.7			74.5			79.4			77.8			72'-1"	
78'-8"		75.9			68.1			72.3			71.0			78'-8"	
85'-3"		69.7			63.5			66.6			66.2			85'-3"	
91'-10"		64.8	69.0		59.3			62.0			60.6			91'-10"	
98'-4"			64.2		55.1	59.1		58.0			56.4			98'-4"	
104'-11"			59.8			55.1		53.8			52.5			104'-11"	
111'-6"			55.6			50.9		50.3	53.8		49.0			111'-6"	
118'-0"			51.8			47.6		47.2	49.6		46.1	49.0		118'-0"	
124'-7"			48.5			44.8		44.5	46.5		43.4	45.4		124'-7"	
131'-2"						42.8			44.1		40.6	43.0		131'-2"	
137'-9"				37.3		40.6			42.1		38.6	40.1		137'-9"	
144'-3"				35.7			32.4		39.9		36.6	37.7		144'-3"	
150'-10"				33.1			31.5		37.9			35.3		150'-10"	
157'-5"				32.0			29.5		35.9	29.1		33.5		157'-5"	
164'-0"							28.2		34.2	27.8		32.2		164'-0"	
170'-6"							26.9			26.7		31.3	25.4	170'-6"	
177'-1"							26.0			25.4		30.4	24.0	177'-1"	
183'-8"										24.0		28.9	22.7	183'-8"	
190'-2"										22.7			21.6	190'-2"	
196'-9"										21.6			20.9	196'-9"	
203'-4"													19.6	203'-4"	
209'-11"													19.0	209'-11"	

Fixed Jib (SF Configuration)																																	
258,000 lbs. ctwt.				75% stability rating				ANSI B30.5				360° rating																					
S-Boom Length 95'-1"									S-Boom Length 114'-9"																								
Fixed Jib Length (ft)				Capacity - lbs [x1000]					Fixed Jib Length (ft)				Capacity - lbs [x1000]																				
Load Radius (ft)	39'-4"		59'-0"		78'-8"		98'-4"		Load Radius (ft)	39'-4"		59'-0"		78'-8"		98'-4"																	
	F-fixed jib angle (°)									F-fixed jib angle (°)																							
	10	30	10	30	10	30	10	30		10	30	10	30	10	30	10	30																
32'-9"	75.0								39'-4"	70.6																							
39'-4"	72.8								45'-11"	69.0		58.4																					
45'-11"	71.7		59.5						52'-5"	67.7		62.8		57.8		39.9																	
52'-5"	70.6		63.5		59.1		40.1		59'-0"	66.2		61.1		55.6		39.7		28.7															
59'-0"	69.0		59.1		56.7		45.2		39.9		28.7		65'-7"	63.9		58.4		54.0		44.1		39.0		28.4									
65'-7"	67.7		56.4		54.9		44.3		39.2		28.4		72'-1"	61.7		56.2		52.3		43.4		37.9		27.8									
72'-1"	66.2		54.0		53.4		42.1		38.1		31.1		27.8		78'-8"	59.5		53.8		50.5		41.7		37.0		30.9		27.3					
78'-8"	63.9		51.6		51.6		40.4		37.3		30.9		27.6		85'-3"	56.2		51.8		49.4		40.1		36.4		30.6		26.7					
85'-3"	61.7		49.4		50.3		38.6		36.6		30.6		27.1		22.1		91'-10"	52.9		49.8		47.6		38.6		35.5		30.2		26.0		21.6	
91'-10"	59.5		47.6		48.7		37.0		35.7		30.0		26.5		21.8		98'-4"	49.8		48.1		45.9		37.0		34.8		29.8		25.4		21.4	
98'-4"	56.2		46.1		46.7		35.7		35.1		28.7		25.8		21.6		104'-11"	47.8		46.5		44.8		35.7		34.0		28.7		24.7		20.9	
104'-11"	52.9		44.5		45.6		34.4		34.2		27.6		25.4		21.2		111'-6"	46.1		45.0		43.2		34.6		33.3		27.6		24.0		20.7	
111'-6"	49.8		43.2		44.1		33.1		33.5		26.5		24.7		20.7		118'-0"	42.8		43.9		40.8		33.3		32.6		26.7		23.6		20.1	
118'-0"	47.8		42.3		41.7		32.2		32.9		25.6		24.0		20.3		124'-7"	40.4		42.6		39.0		32.2		32.2		25.6		22.9		19.8	
124'-7"	41.5		39.7		31.1		32.4		24.5		23.4		19.8		131'-2"	37.7		41.5		37.0		31.1		30.9		24.7		22.5		19.6			
131'-2"			37.7		30.0		31.1		23.8		22.9		19.2		137'-9"	70.6		38.8		34.8		30.0		30.2		24.0		22.1		19.2			
137'-9"			35.5		29.1		30.4		23.2		22.5		18.5		144'-3"			33.3		28.4		29.5		23.2		21.6		18.7					
144'-3"			28.4		29.8		22.3		22.1		18.1		150'-10"			32.2		26.9		28.4		22.5		21.2		18.1							
150'-10"					28.7		21.6		21.6		17.6		157'-5"			25.8		26.7		21.8		20.7		17.6									
157'-5"					26.9		21.2		20.9		17.2		164'-0"					25.4		21.2		20.3		17.2									
164'-0"					19.8		20.7		16.5				170'-6"					23.8		20.7		19.8		16.8									
170'-6"							20.3		16.3				177'-1"					22.5		20.3		19.6		16.3									
177'-1"							20.1		15.9				183'-8"							19.0		16.1											
183'-8"									15.9				190'-2"							18.5		15.9											
													196'-9"									15.7											

Fixed Jib (SF Configuration)																	
258,000 lbs. ctwt.									75% stability rating								
ANSI B30.5									360° rating								
S-Boom Length 134'-5"									S-Boom Length 154'-1"								
Fixed Jib Length (ft)				Capacity - lbs [x1000]					Fixed Jib Length (ft)				Capacity - lbs [x1000]				
Load Radius (ft)	39'-4"		59'-0"		78'-8"		98'-4"		Load Radius (ft)	39'-4"		59'-0"		78'-8"		98'-4"	
	F-fixed jib angle (°)									F-fixed jib angle (°)							
	10	30	10	30	10	30	10	30		10	30	10	30	10	30	10	30
45'-11"	71.7								45'-11"	71.7							
52'-5"	70.6	56.7			58.8		28.0		52'-5"	70.6	55.6			38.1		27.3	
59'-0"	69.0	61.3	54.5	58.8		28.0		59'-0"	69.0	60.6	53.4	38.1		27.3		26.7	
65'-7"	67.7	60.2	52.9	38.1		28.0		65'-7"	67.7	59.8	51.8	37.5		27.3		26.2	
72'-1"	66.2	58.0	51.4	43.2	37.3	27.3		72'-1"	66.2	59.3	50.3	42.3	36.6	26.2		25.6	
78'-8"	63.9	55.8	49.4	42.6	36.4	30.9	26.9	78'-8"	63.9	57.3	48.5	41.7	35.7	26.2		25.6	
85'-3"	61.7	53.6	48.3	41.2	35.7	30.6	26.0	85'-3"	61.7	55.1	47.4	41.2	35.1	30.2	25.6		
91'-10"	59.5	51.8	46.7	39.9	34.8	30.2	25.4	21.2	91'-10"	59.5	53.4	45.9	40.4	34.2	29.8	24.9	
98'-4"	56.2	49.8	45.0	38.4	34.2	29.8	24.7	20.9	98'-4"	56.2	50.9	44.1	39.5	33.5	29.3	24.3	20.5
104'-11"	52.9	48.3	43.9	37.0	33.3	29.3	24.3	20.5	104'-11"	52.9	49.0	43.0	38.1	32.6	28.9	23.8	20.1
111'-6"	49.8	46.7	42.3	35.9	32.6	28.4	23.6	20.3	111'-6"	49.2	47.0	41.5	37.0	32.0	28.2	23.2	19.8
118'-0"	47.8	45.4	40.1	34.8	32.0	27.8	23.2	19.8	118'-0"	47.2	45.2	39.2	35.7	31.3	27.6	22.7	19.4
124'-7"	46.1	42.6	38.1	33.7	31.5	26.7	22.5	19.6	124'-7"	45.2	42.1	37.5	34.6	30.9	26.5	22.1	19.2
131'-2"	42.8	40.6	36.2	32.6	30.4	26.0	22.1	19.4	131'-2"	42.1	40.1	35.5	33.5	29.8	25.8	21.6	19.0
137'-9"	40.4	38.1	34.2	31.5	29.8	25.6	21.6	19.0	137'-9"	39.2	37.7	33.5	31.3	29.1	25.4	21.2	18.5
144'-3"	37.7	36.2	32.6	30.0	29.1	24.5	21.2	19.0	144'-3"	36.6	35.7	32.0	29.3	28.4	24.3	20.7	18.5
150'-10"	35.3	34.2	31.5	28.0	28.0	23.6	20.7	18.3	150'-10"	34.0	34.0	30.9	27.3	27.3	23.4	20.3	18.1
157'-5"	32.9	27.8	30.4	26.5	26.0	22.7	20.3	18.1	157'-5"	31.8	32.2	29.8	25.8	25.6	22.5	19.8	17.9
164'-0"	29.3		25.4	24.7	21.8	19.6	17.2	164'-0"	29.8	30.2	28.7	24.9	24.3	21.6	19.6	17.4	
170'-6"	28.2		23.6	23.4	21.2	19.6	17.2	170'-6"	27.8	28.2	27.6	23.2	22.9	20.9	19.2	17.2	
177'-1"	22.5		22.1	20.3	19.4	16.8	177'-1"	26.5		26.5	22.1	21.6	20.1	19.0	17.0		
183'-8"	20.9		20.1	18.7	16.5	183'-8"	25.6		20.3	20.5	19.8	18.3	16.8				
190'-2"	19.2		18.3	16.1	190'-2"	23.8		19.8	19.4	19.0	17.9	16.5					
196'-9"	18.5		18.1	15.9	196'-9"	17.6		18.5	18.3	17.6	16.3						
203'-4"	17.6		15.7	203'-4"	17.6		17.6	17.2	15.9								
209'-11"	17.0		15.4	209'-11"	16.5		16.5	16.5	15.7								
216'-5"	15.4		216'-5"	15.4		16.1	15.4										
223'-0"	15.4		15.2														
229'-7"	15.0		14.1														
236'-1"	12.3																


Fixed Jib (SF Configuration)																					
258,000 lbs. ctwt.						75% stability rating						ANSI B30.5				360° rating					
S-Boom Length 173'-10"									S-Boom Length 193'-6"												
Fixed Jib Length (ft)				Capacity - lbs [x1000]					Fixed Jib Length (ft)				Capacity - lbs [x1000]								
Load Radius (ft)	39'-4"		59'-0"		78'-8"		98'-4"		Load Radius (ft)	39'-4"		59'-0"		78'-8"		98'-4"					
	F-fixed jib angle (°)									F-fixed jib angle (°)											
	10	30	10	30	10	30	10	30		10	30	10	30	10	30	10	30				
52'-5"	70.6								52'-5"	70.6											
59'-0"	69.0	54.7						59'-0"	69.9	55.8											
65'-7"	67.7	59.8	52.7	37.0						65'-7"	68.6	59.5	54.0	37.0							
72'-1"	66.6	58.7	51.2	36.6		26.7						72'-1"	67.5	58.7	52.0	36.6		26.7			
78'-8"	62.8	58.2	49.2	41.7	35.9	26.5						78'-8"	62.2	58.4	50.5	41.7	36.4	26.5			
85'-3"	58.4	57.8	47.8	41.0	35.1	30.4	25.8					85'-3"	60.4	57.1	49.0	41.5	35.7	26.2			
91'-10"	56.9	52.0	46.3	40.6	34.4	29.8	25.1					91'-10"	58.7	51.6	47.6	41.0	35.1	29.8	25.8		
98'-4"	55.3	47.4	45.0	40.4	33.7	29.3	24.5	20.3					98'-4"	57.1	46.7	46.3	40.6	34.4	29.5	25.1	
104'-11"	53.8	43.4	43.9	39.5	33.1	29.1	24.0	20.1					104'-11"	55.6	42.8	45.2	40.1	33.7	29.3	24.5	20.3
111'-6"	52.0	40.1	42.6	38.4	32.6	28.7	23.6	19.6					111'-6"	51.4	41.5	43.9	39.7	33.3	29.1	24.0	20.1
118'-0"	48.3	39.2	41.5	37.0	32.0	28.4	23.2	19.6					118'-0"	47.2	40.6	42.8	37.3	32.6	28.7	23.6	19.6
124'-7"	44.5	38.1	39.9	35.1	31.5	28.0	22.5	19.2					124'-7"	43.4	39.5	41.9	34.4	32.2	28.4	23.2	19.4
131'-2"	41.0	37.3	38.1	32.6	31.1	27.8	22.1	19.0					131'-2"	39.9	38.4	40.8	32.0	31.5	28.0	22.5	19.2
137'-9"	38.1	36.2	36.6	30.4	30.0	27.6	21.6	18.7					137'-9"	37.0	37.5	37.9	29.8	29.3	27.8	22.1	19.0
144'-3"	35.5	35.7	34.8	28.4	28.0	27.1	20.9	18.5					144'-3"	34.2	35.3	35.1	28.7	27.3	27.6	21.6	18.7
150'-10"	32.9	33.7	33.5	26.9	26.5	27.1	20.7	18.3					150'-10"	31.8	32.6	32.6	27.8	25.8	26.9	21.2	18.5
157'-5"	30.6	31.3	31.5	26.5	24.7	25.8	20.3	17.9					157'-5"	29.5	30.4	30.4	27.3	24.0	25.1	20.9	18.3
164'-0"	28.7	29.3	29.3	25.6	23.2	24.3	19.8	17.6					164'-0"	27.6	28.2	28.2	26.7	22.5	23.6	20.5	18.1
170'-6"	26.7	27.3	27.6	25.1	21.8	22.7	19.6	17.4					170'-6"	25.6	26.2	26.5	26.2	21.2	22.3	20.3	17.6
177'-1"	25.1	25.4	25.8	24.9	20.7	21.4	19.2	17.0					177'-1"	24.0	24.5	24.7	25.6	20.7	20.9	19.8	17.4
183'-8"	23.4	23.8	24.3	24.3	19.6	20.3	19.0	17.0					183'-8"	22.3	22.7	23.2	24.0	20.1	19.6	19.2	17.2
190'-2"	22.1	22.3	22.7	23.4	19.0	19.0	18.7	16.8					190'-2"	20.7	21.2	21.6	22.5	19.8	18.5	18.3	17.0
196'-9"			21.2	21.8	18.7	18.1	17.9	16.3					196'-9"	19.4	19.8	20.1	20.9	19.4	17.6	17.2	16.8
203'-4"			20.1	20.5	18.3	17.0	17.0	16.3					203'-4"	18.1	18.5	19.0	19.4	19.0	16.5	16.3	16.5


Fixed Jib (SF Configuration)																		
258,000 lbs. ctwt.				75% stability rating				ANSI B30.5				360° rating						
S-Boom Length 173'-10"									S-Boom Length 193'-6"									
Fixed Jib Length (ft) Capacity - lbs [x1000]									Fixed Jib Length (ft) Capacity - lbs [x1000]									
Load Radius (ft)	39'-4"		59'-0"		78'-8"		98'-4"		Load Radius (ft)	39'-4"		59'-0"		78'-8"		98'-4"		
	F-fixed jib angle (°)									F-fixed jib angle (°)								
	10	30	10	30	10	30	10	30		10	30	10	30	10	30	10	30	
209'-11"			18.7	19.0	18.1	16.3	16.1	16.3	209'-11"	17.2	17.6	18.3	18.3	16.1	15.4	16.3		
216'-5"					17.6	15.2	15.2	15.9	216'-5"		16.5	17.0	17.0	16.1	14.6	15.4		
223'-0"					17.0	14.1	14.6	15.0	223'-0"		15.4	15.9	16.1	15.9	13.9	14.6		
229'-7"						13.2	13.2	14.3	229'-7"			14.8	15.0	15.9	13.0	13.7		
236'-1"							11.9	13.2	236'-1"				13.9	15.9	12.1	13.0		
242'-8"							10.6	11.9	242'-8"				12.8	15.0	11.0	12.3		
249'-3"								10.6	249'-3"					14.1	9.9	11.0		
									255'-10"						9.0	9.9		
									262'-4"						7.9	9.0		
									268'-11"							8.4		


Fixed Jib (SF Configuration)																			
258,000 lbs. ctwt.				75% stability rating				ANSI B30.5				360° rating							
S-Boom Length 213'-2"									S-Boom Length 232'-10"										
Fixed Jib Length (ft)				Capacity - lbs [x1000]					Fixed Jib Length (ft)				Capacity - lbs [x1000]						
Load Radius (ft)	39'-4"		59'-0"		78'-8"		98'-4"		Load Radius (ft)	39'-4"		59'-0"		78'-8"		98'-4"			
	F-fixed jib angle (°)									F-fixed jib angle (°)									
	10	30	10	30	10	30	10	30		10	30	10	30	10	30	10	30		
59'-0"	70.6								59'-0"	70.6									
65'-7"	69.5		55.1						65'-7"	70.1		55.8							
72'-1"	68.4	59.5	53.4			37.0				72'-1"	67.0	59.5	54.0			39.0			
78'-8"	61.7	58.9	51.8			36.6		26.7		78'-8"	60.6	58.4	52.5			37.7			
85'-3"	60.6	56.4	50.3	41.7	36.2	26.5				85'-3"	59.5	55.8	51.2	41.7	36.8	26.7			
91'-10"	59.5	51.2	49.0	41.2	35.5	26.0				91'-10"	58.0	50.5	49.6	41.2	35.5	26.5			
98'-4"	57.8	46.3	47.6	41.0	35.1	29.8	25.6			98'-4"	56.9	46.5	48.1	41.0	34.4	29.8	25.8		
104'-11"	55.1	44.1	46.5	40.4	34.4	29.5	25.1	20.9			104'-11"	54.0	45.2	46.3	40.8	33.7	29.5	25.4	
111'-6"	50.3	42.8	44.3	39.9	33.7	29.1	24.5	20.3			111'-6"	49.2	43.9	43.7	39.5	34.2	29.3	24.9	20.3
118'-0"	46.1	41.9	43.4	36.8	33.3	28.9	24.0	20.1			118'-0"	45.0	42.8	42.3	36.4	35.7	29.1	24.5	20.1
124'-7"	42.3	40.8	42.6	34.0	32.9	28.4	23.6	19.6			124'-7"	41.2	41.9	41.5	33.5	36.4	28.9	23.8	19.8
131'-2"	38.8	39.7	39.9	31.5	30.9	28.4	23.2	19.4			131'-2"	37.9	39.2	38.8	31.8	35.7	28.4	23.6	19.6
137'-9"	35.9	37.0	36.8	30.2	28.7	28.0	22.5	19.2			137'-9"	34.8	36.2	35.7	30.9	35.3	28.4	23.2	19.4
144'-3"	33.3	34.4	34.0	29.3	26.7	27.8	22.3	19.0			144'-3"	32.2	33.3	33.1	30.2	33.7	27.8	22.7	19.0
150'-10"	30.6	31.8	31.5	28.9	25.1	26.5	21.6	18.7			150'-10"	29.5	30.9	30.4	29.5	31.3	25.8	22.3	19.0
157'-5"	28.4	29.3	29.3	28.0	23.4	24.5	21.4	18.5			157'-5"	27.3	28.4	28.2	28.9	28.9	24.0	21.8	18.7
164'-0"	26.5	27.3	27.3	27.6	21.6	23.2	20.9	18.3			164'-0"	25.4	26.2	26.2	27.8	26.9	22.5	21.6	18.5
170'-6"	24.5	25.4	25.4	26.7	21.2	21.6	20.7	18.1			170'-6"	23.4	24.3	24.3	25.8	24.9	20.9	20.3	18.3
177'-1"	22.7	23.6	23.6	24.7	20.7	20.3	19.6	17.9			177'-1"	21.6	22.5	22.5	23.8	23.2	19.6	19.0	18.3
183'-8"	21.2	21.8	22.1	23.2	20.5	19.0	18.5	17.6			183'-8"	20.1	20.9	20.9	22.1	21.6	18.5	17.9	17.9
190'-2"	19.6	20.3	20.5	21.4	19.8	17.9	17.6	17.4			190'-2"	18.5	19.4	19.4	20.5	20.1	17.4	17.0	17.6
196'-9"	18.3	18.7	19.0	20.1	19.4	17.0	16.5	17.0			196'-9"	17.2	17.9	18.1	19.0	18.5	17.0	15.9	17.0


Fixed Jib (SF Configuration)																	
258,000 lbs. ctwt.				75% stability rating				ANSI B30.5				360° rating					
S-Boom Length 213'-2"									S-Boom Length 232'-10"								
Fixed Jib Length (ft)				Capacity - lbs [x1000]					Fixed Jib Length (ft)				Capacity - lbs [x1000]				
Load Radius (ft)	39'-4"		59'-0"		78'-8"		98'-4"		Load Radius (ft)	39'-4"		59'-0"		78'-8"		98'-4"	
	F-fixed jib angle (°)									F-fixed jib angle (°)							
	10	30	10	30	10	30	10	30		10	30	10	30	10	30	10	30
203'-4"	17.0	17.4	17.9	18.5	18.3	16.8	15.7	16.5	203'-4"	15.9	16.5	16.8	17.6	17.2	16.8	15.0	16.1
209'-11"	15.9	16.3	16.5	17.2	17.2	16.3	14.8	15.7	209'-11"	14.8	15.2	15.4	16.3	15.9	16.8	14.1	15.0
216'-5"	14.8	15.0	15.4	16.1	16.1	16.1	13.9	14.8	216'-5"	13.5	14.1	14.1	15.0	14.6	16.3	13.2	14.3
223'-0"	13.7	13.9	14.3	15.0	14.8	16.1	13.0	13.9	223'-0"	12.3	12.8	12.8	13.7	13.2	16.1	12.3	13.5
229'-7"			13.0	13.7	13.5	16.1	12.3	13.2	229'-7"	11.0	11.5	11.7	12.3	12.1	14.8	11.7	12.6
236'-1"			11.9	12.3	12.3	15.0	11.7	12.3	236'-1"	10.1	10.4	10.6	11.2	11.0	13.7	11.0	11.9
242'-8"			10.8	11.2	11.2	14.1	10.8	11.7	242'-8"	9.5	9.5	9.7	10.1	10.1	12.8	10.4	11.2
249'-3"					10.4	13.0	9.7	11.0	249'-3"			9.0	9.5	9.5	11.7	9.7	10.6
255'-10"					9.7	12.1	9.3	10.1	255'-10"			8.6	8.8	8.8	10.8	9.0	9.7
262'-4"					9.0	11.0	8.6	9.5	262'-4"				8.2	8.4	9.7	8.4	9.3
268'-11"							7.9	8.8	268'-11"					7.7	9.0	7.9	8.6
275'-6"							7.3	8.2	275'-6"					7.3	8.2	7.3	8.2
282'-0"								7.3	282'-0"						7.5		7.7
									288'-7"								7.1

Fixed Jib (SF Configuration)																	
258,000 lbs. ctwt.				75% stability rating				ANSI B30.5				360° rating					
S-Boom Length 252'-6"								S-Boom Length 252'-6"									
Fixed Jib Length (ft)				Capacity - lbs [x1000]				Fixed Jib Length (ft)				Capacity - lbs [x1000]					
Load Radius (ft)	39'-4"		59'-0"		78'-8"		98'-4"		Load Radius (ft)	39'-4"		59'-0"		78'-8"		98'-4"	
	F-fixed jib angle (°)									F-fixed jib angle (°)							
	10	30	10	30	10	30	10	30		10	30	10	30	10	30	10	30
65'-7"	70.6								190'-2"	17.4	18.3	18.3	19.6	18.5	17.4	11.5	13.5
72'-1"	70.1	55.1						196'-9"	16.1	16.8	16.8	17.9	17.0	17.2	11.0	13.5	
78'-8"	67.0	50.1	53.4	31.5				203'-4"	14.8	15.4	15.2	16.5	15.7	17.0	10.8	12.3	
85'-3"	60.6	49.4	52.0	30.6		18.3		209'-11"	13.2	14.1	13.9	15.0	14.3	17.0	10.6	11.2	
91'-10"	59.5	48.7	50.7	35.7	30.0	17.6		216'-5"	12.1	12.8	12.6	13.7	13.0	16.1	10.4	10.4	
98'-4"	57.3	47.6	49.4	35.5	29.3	17.2		223'-0"	10.8	11.5	11.2	12.3	11.7	15.0	10.1	9.5	
104'-11"	52.7	46.3	48.5	34.8	28.7	20.9	16.5	229'-7"	9.9	10.4	10.1	11.0	10.6	13.7	10.1	8.6	
111'-6"	48.1	45.0	47.4	34.6	28.0	20.7	16.3	236'-1"	9.3	9.3	9.5	10.1	9.7	12.8	9.7	7.7	
118'-0"	43.9	43.9	45.0	34.2	27.3	20.3	15.7	242'-8"	8.6	8.4	8.8	9.5	9.3	11.7	9.5	7.5	
124'-7"	40.1	42.8	41.0	33.5	26.7	19.8	14.8	249'-3"	7.9	7.5	8.2	8.8	8.6	10.6	9.3	7.5	
131'-2"	36.8	39.5	37.7	32.6	26.2	19.6	14.3	255'-10"	7.3	6.6	7.5	8.2	7.9	9.7	9.3	7.5	
137'-9"	33.7	35.9	34.6	31.8	25.6	19.4	14.1	262'-4"	5.7		6.6	7.1	7.5	8.8	8.8	7.1	
144'-3"	31.1	33.1	32.0	30.9	25.1	19.0	13.5	268'-11"	5.7		6.4	6.8	7.9	7.9	7.1	7.1	
150'-10"	28.4	30.4	29.3	30.4	24.7	18.7	13.2	275'-6"	5.1		5.5	6.2	7.1	7.1	7.1	7.1	
157'-5"	26.2	27.8	27.1	29.5	24.0	18.5	13.0	282'-0"	4.9		5.5	6.4	6.6	7.1	7.1	7.1	
164'-0"	24.3	25.6	25.1	26.9	23.6	18.3	12.8	288'-7"	4.9		5.5	6.4	6.6	7.1	7.1	7.1	
170'-6"	22.3	23.6	23.2	24.7	22.9	18.1	12.1	295'-2"	4.4		4.9	5.3	6.2	7.1	7.1	7.1	
177'-1"	20.5	21.6	21.4	22.9	22.1	17.6	11.9	301'-9"	4.2		4.4	5.3	6.2	7.1	7.1	7.1	
183'-8"	19.0	19.8	19.8	21.2	20.3	17.6	11.7	308'-3"	4.4		5.3	6.2	7.1	7.1	7.1	7.1	

 Heavy Fixed Jib (SLW Configuration) 258,000 lbs. ctwt. 75% stability rating ANSI B30.5 360° rating											
S-Boom Length (ft)											
Fixed Jib Length (ft) Capacity - lbs [x1000]											
Load Radius (ft)	134'-5"		144'-3"		154'-1"		164'-0"		Load Radius (ft)		
	FV-fixed jib angle (°)										
	14	20	14	20	14	20	14	20			
32'-9"	132.3	125.5	132.3	125.5	132.3	125.5				32'-9"	
39'-4"	132.3	120.6	132.3	120.6	132.3	120.6	132.3			39'-4"	
45'-11"	132.3	110.9	132.3	115.8	132.3	115.8	132.3	125.5		45'-11"	
52'-5"	127.9	106.1	130.3	106.1	132.3	110.9	132.3	115.8		52'-5"	
59'-0"	120.6	101.2	125.5	101.2	125.5	106.1	132.3	110.9		59'-0"	
65'-7"	113.3	96.6	115.5	96.6	114.4	101.2	127.9	106.1		65'-7"	
72'-1"	104.1	91.7	103.0	94.2	101.7	96.6	112.9	101.2		72'-1"	
78'-8"	92.6	86.9	92.4	91.7	91.5	91.7	100.5	96.6		78'-8"	
85'-3"	83.3	83.3	83.1	83.1	82.5	82.7	90.2	90.6		85'-3"	
91'-10"	75.2	75.4	75.2	75.2	74.5	75.0	81.6	81.8		91'-10"	
98'-4"	68.6	68.6	68.4	68.6	67.9	67.9	74.1	74.3		98'-4"	
104'-11"	62.8	62.8	62.6	62.6	62.0	62.2	67.5	67.5		104'-11"	
111'-6"	60.2	60.2	57.3	57.3	56.9	57.1	61.3	61.7		111'-6"	
118'-0"			55.1	55.1	52.7	52.7	56.2	56.4		118'-0"	
124'-7"					50.5	50.5	52.0	52.0		124'-7"	
131'-2"							47.8	48.1		131'-2"	

 Heavy Fixed Jib (SLW Configuration) 258,000 lbs. ctwt. 75% stability rating ANSI B30.5 360° rating											
S-Boom Length (ft)											
Fixed Jib Length (ft) Capacity - lbs [x1000]											
Load Radius (ft)	173'-10"		183'-8"		193'-6"		203'-4"		Load Radius (ft)		
	FV-fixed jib angle (°)										
	14	20	14	20	14	20	14	20			
36'-0"	132.3								36'-0"		
39'-4"	132.3	125.5	132.3	125.5	132.3	125.5	132.3	125.5	39'-4"		
45'-11"	132.3	120.6	132.3	120.6	132.3	120.6	132.3	123.0	45'-11"		
52'-5"	132.3	113.3	132.3	115.8	130.3	115.8	125.5	115.8	52'-5"		
59'-0"	126.6	108.5	125.5	110.9	123.0	110.9	118.2	110.9	59'-0"		
65'-7"	112.9	103.6	110.9	106.1	108.5	106.1	106.1	108.5	65'-7"		
72'-1"	100.5	98.8	98.8	98.8	96.6	96.6	95.3	96.6	72'-1"		
78'-8"	90.2	90.6	89.1	89.3	88.0	88.2	86.9	86.9	78'-8"		
85'-3"	81.6	81.8	80.7	80.9	79.4	79.6	77.2	78.3	85'-3"		
91'-10"	73.6	73.6	73.2	73.4	72.1	72.3	69.9	71.2	91'-10"		
98'-4"	66.8	67.0	66.4	66.4	65.0	65.9	65.0	65.0	98'-4"		
104'-11"	61.1	61.1	60.4	60.6	59.8	60.2	59.5	59.5	104'-11"		
111'-6"	56.0	56.0	55.3	55.6	54.7	55.1	54.5	54.5	111'-6"		
118'-0"	51.4	51.6	51.2	51.2	50.3	50.5	49.8	49.8	118'-0"		
124'-7"	47.4	47.4	47.0	47.2	46.3	46.5	45.9	45.9	124'-7"		
131'-2"	43.9	43.9	43.7	43.7	43.0	43.0	42.3	42.3	131'-2"		
137'-9"	42.3	42.3	40.4	40.4	39.7	39.7	39.0	39.2	137'-9"		
144'-3"			38.8	38.8	36.6	36.8	36.4	36.4	144'-3"		
150'-10"					35.5	35.5	33.5	33.5	150'-10"		
157'-5"							32.4	32.4	157'-5"		

 Heavy Fixed Jib (SLW Configuration) 258,000 lbs. ctwt. 75% stability rating ANSI B30.5 360° rating									
S-Boom Length (ft)									
Fixed Jib Length (ft) Capacity - lbs [x1000]									
Load Radius (ft)	213'-2"		223'-0"		232'-10"		242'-8"		Load Radius (ft)
	FV-fixed jib angle (°)								
	14	20	14	20	14	20	14	20	
42'-7"	121.7	119.3	108.5		98.3				42'-7"
45'-11"	121.3	118.8	107.4	105.6	93.5	91.7	83.8	82.0	45'-11"
52'-5"	118.8	116.9	105.0	103.2	91.7	90.4	81.8	80.5	52'-5"
59'-0"	112.2	110.9	103.2	101.2	89.3	88.0	80.3	78.9	59'-0"
65'-7"	106.1	105.0	100.8	99.4	87.3	86.2	77.8	77.2	65'-7"
72'-1"	94.2	94.2	91.7	94.2	85.6	84.5	75.6	74.7	72'-1"
78'-8"	84.5	84.5	82.0	83.1	82.0	82.0	73.9	73.0	78'-8"
85'-3"	77.2	77.2	74.7	74.7	73.6	73.6	72.1	71.4	85'-3"
91'-10"	69.9	69.9	67.5	67.5	66.4	66.4	65.0	65.0	91'-10"
98'-4"	62.6	62.6	62.2	62.2	61.5	61.5	60.2	60.2	98'-4"
104'-11"	58.0	59.1	56.7	58.0	55.6	55.6	54.2	54.2	104'-11"
111'-6"	53.1	54.0	51.8	51.8	50.7	50.7	49.4	49.4	111'-6"
118'-0"	49.4	49.4	48.3	48.3	47.0	47.0	45.9	45.9	118'-0"
124'-7"	45.4	45.6	43.4	43.4	42.1	43.4	41.0	42.1	124'-7"
131'-2"	41.7	42.1	39.7	41.0	39.7	39.7	38.6	38.6	131'-2"
137'-9"	38.6	38.6	37.5	37.5	36.2	36.2	35.1	35.1	137'-9"
144'-3"	35.7	35.7	33.7	34.4	33.7	33.7	32.6	32.6	144'-3"
150'-10"	33.1	33.1	31.3	31.3	30.2	30.6	29.5	30.2	150'-10"
157'-5"	30.6	30.6	29.5	29.5	28.9	28.9	27.8	27.8	157'-5"
164'-0"		29.5	27.8	27.8	26.5	26.5	25.4	25.4	164'-0"
170'-6"				26.5	24.7	24.7	23.6	24.0	170'-6"
177'-1"						24.0	21.6	21.6	177'-1"
190'-2"								20.5	190'-2"

 Heavy Fixed Jib (SLW Configuration) 258,000 lbs. cwt. 75% stability rating			
S-Boom Length (ft)			
Fixed Jib Length (ft)		Capacity - lbs [x1000]	
Load Radius (ft)	213'-2"		Load Radius (ft)
	FV-fixed jib angle (°)		
	14	20	
45'-11"	74.1	71.7	45'-11'
52'-5"	72.5	71.4	52'-5"
59'-0"	71.2	69.9	59'-0"
65'-7"	69.0	68.1	65'-7"
72'-1"	67.5	66.6	72'-1"
78'-8"	65.5	64.8	78'-8"
85'-3"	63.3	62.6	85'-3"
91'-10"	59.3	58.9	91'-10"
98'-4"	58.0	57.3	98'-4"
104'-11"	53.1	53.1	104'-11"
111'-6"	48.3	48.3	111'-6"
118'-0"	43.4	44.5	118'-0"
124'-7"	39.7	41.0	124'-7"
131'-2"	37.5	37.5	131'-2"
137'-9"	33.7	33.7	137'-9"
144'-3"	31.3	31.3	144'-3"
150'-10"	28.9	28.9	150'-10"
157'-5"	26.5	26.5	157'-5"
164'-0"	24.0	24.0	164'-0"
170'-6"	22.9	22.9	170'-6"
177'-1"	20.5	20.5	177'-1"
183'-8"	18.7	18.7	183'-8"

LOCATIONS



Global Equipment is the Exclusive Worldwide Distributor for Zoomlion Rough Terrain Cranes and all prices and availability will be negotiated with Global Equipment.



HEADQUARTERS

Global Cranes & Machinery, LLC
14702 Jersey Shore Drive
Houston, TX 77047 USA
Toll Free: (866) 278-9780
Phone: +1 (832) 460-3939 | Fax: +1 (928) 441-0606
info@globalcranesales.com | www.globalcranes.com

Uri Toudjarov

E-mail: uri@globalcranesales.com
Cell: +1 (602) 320-0762

Ed Gibson - North America

E-mail: egibson@globalcranesales.com
Direct: +1 (310) 749-0634

Due to constant improvement and engineering, we reserve the right to change the design, specifications, and equipment pricing without notification. Illustrations provided may or may not include all standard and optional equipment and accessories.