

# Valla 120 EVO



## Electric battery operated Mobile Crane Max. Capacity Lbs. **26,400**



Valla	
OUTREACH (Ft)	CAPACITY (Lbs.)
4,5	<b>26,400</b>
13	<b>9,700</b>
31	<b>2,200</b>

### TECHNICAL DATA

**CRANE FRAME:** made by preformed and welded steel plate with built-in counterweight.

**DRIVING:** two AC 12 kW-80V electric motors self vented, controlled by inverter, with energy recovery on braking.

**TRANSMISSION:** front drive, double motor rigid axle. Double hydrostatic reduction and planetary final reduction.  
Travelling speed up to 12 Km/h.

**BATTERY:** traction battery 80V – 800 Ah. Autonomy 6 hours on 8 working hours. Battery indicator on dashboard.

**BRAKES:** foot operated brakes with hydraulic double circuit multi-disc control on front wheels and disc brakes on rear wheels. Hand brake manually operated.

**SUSPENSION:** oscillating rear axle with mechanical limiter.

**STEERING:** automotive type drive with hydraulic steering antishock valves. Hydraulic power steering independent from the crane and including kW2-80V motor driven pump, filter and protection valve.

**WHEELS:** rear : nr. 2 superelastic 250 – 15 – front: nr. 4 superelastic 250 – 15

**BOOM:** made by preformed and welded steel plate with 5 hydraulic synchronized deployment. Fitted with adjustable nylon wear pads.

**BOOM CONTROL:** in closed circuit powered by an AC 12 kW – 80V electro pump, with filter, boom raise, lower, extension and retraction movements. Maximum hydraulic pressure 240 Bar.

**HYDRAULIC WINCH:** included, max capacity Lbs. 26,400

**LMI:** electronic Load Moment Indicator. Display showing lifted load, max allowed load, tilting percentage, operating radius, angle, telescope and light indicators on the operative mode.

**TOTAL WEIGHT:** approx. Lbs. 31,700

**MAX. CAPACITY:** Lbs. 26,400

**Options on request:** remote control; mechanical or hydraulic jib; battery; battery charger; non-marking tires; cabin door; full set of road lights; man bucket and relevant certification as aerial platform; fork attachment



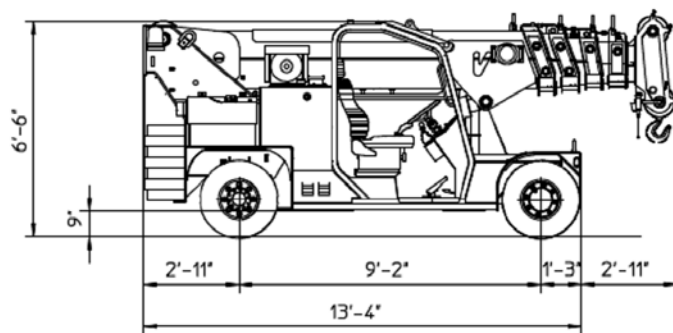
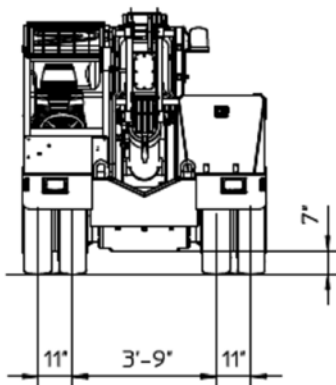
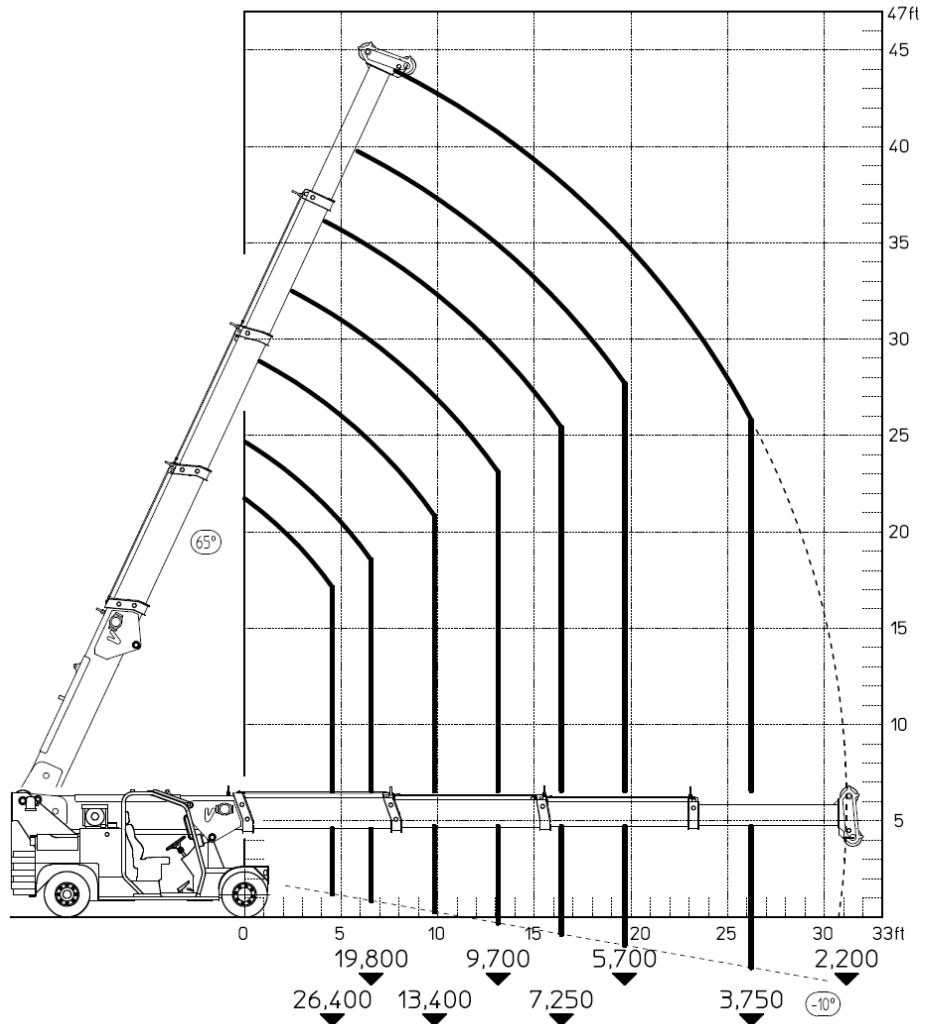
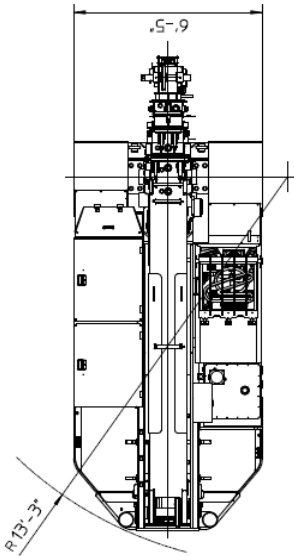
Data subject to be changed without any previous notice. Pictures may differ from technical description.



# 120 EVO



VALLA mobile crane mod. 120 EVO  
 complies with the following standards:  
 -2006/42/CE  
 -UNIEN13000  
 -I.S.P.E.S.L.



Lbs./ft



Valla a division of CVS Ferrari Srl  
 Via Piacenza, 45 - 29010 Calendasco (Piacenza) - ITALIA  
 Tel. +39 0523 762025 / 752004 - Fax +39 0523 760531  
 e-mail: info@valla.com - www.valla.com

Data subject to be changed without any previous notice. Pictures may differ from technical description.