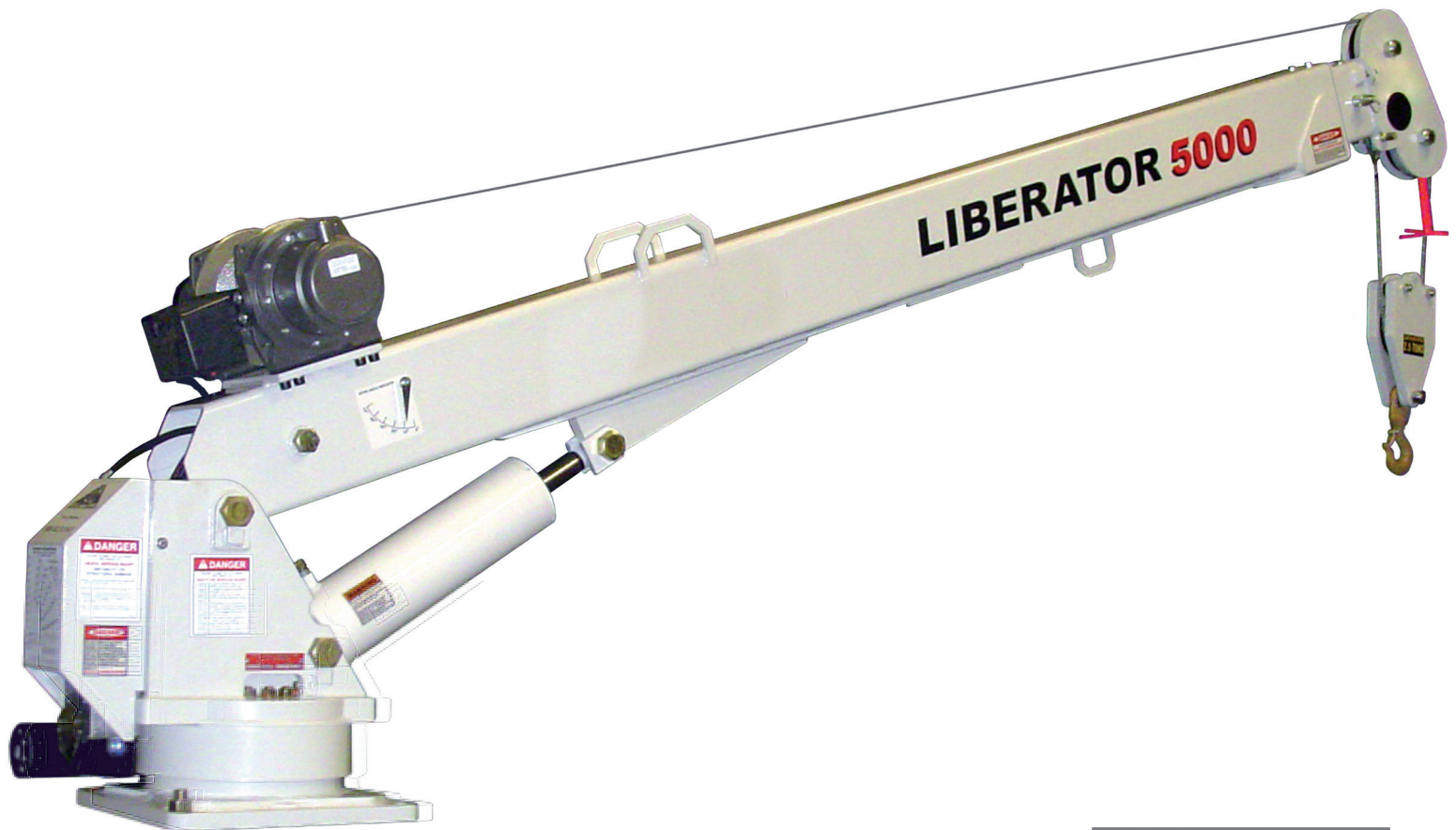


# LIBERATOR 5000

25,000 ft-lbs Crane Rating



Designed  
to a  
Higher Standard

## Better by design

ETI is committed to designing and manufacturing the best electric hydraulic crane value in the industry. Our cranes are innovatively designed to perform to a higher standard of durability and reliability, and to provide the maximum duty cycle possible in an electric crane. We've backed that commitment with our limited lifetime structural warranty and factory direct technical support. You can be assured that your new Liberator crane will provide many years of dependable service.

**ETI**  
A PALFINGER Company

### LIBERATOR 5000

Liberator 5000 cranes come complete with 25' power cable, all wiring harnesses required to hook up including a 225 amp fuse. A 25' remote control pendant, mounting bolts and owner's manual are also included.

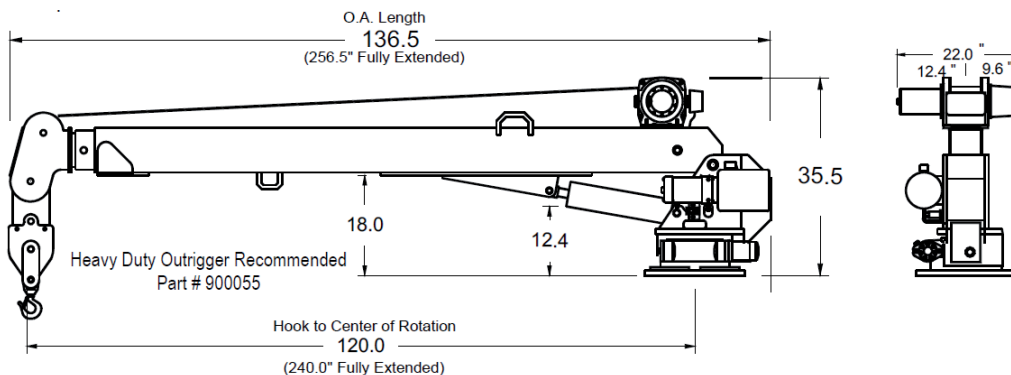
All Liberator 5000 cranes are shipped assembled, factory tested and ready to go to work. 10,500 GVW chassis recommended minimum. 1000 amp CCA battery is required. A 150 amp alternator is recommended.

### Maximum lifting capabilities

5000 lbs	5'
4166 lbs	6'
3571 lbs	7'
3125 lbs	8'
2500 lbs	10'
2083 lbs	12'
1785 lbs	14'
1562 lbs	16'
1388 lbs	18'
1250 lbs	20'

### Features

- Self-contained 12 Volt DC hydraulic system supplies 2.2gallons per min, powered by high-output extended on time series wound motor.
- Automatic overload protection prevents hoist up, boom extension and boom down.
- Anti two-block system is standard on all cranes.
- Large diameter, self-locking, all steel worm gear rotation drive is mounted on steel slewing ring crane bearing and provides 360 degree continuous power rotation.
- Load cushioning counterbalance/check valves on all cylinders for precise load holding and handling.
- Safety valves on all cylinders prevents load drop if hose fails.
- 100% Solid-state control system has arc-suppression circuitry for extended life of switches, contactors and motors.
- Hydraulic boom elevation from -5° to 75°.
- 25' remote control with "Quik-Turn" quick disconnect with non-metallic switch box.
- Planetary gear hoist is designed for maximum power, efficiency and hook speed.
- Industrial grade electrical contactors, no automotive type solenoids.
- 85' of 5/16" wire rope. Hoist drum and wire rope are on the outside of the boom where they are visible to the operator.
- Polymer wire rope pulleys are permanently lubricated to extend life and reduce wire rope wear.
- Boom extensions slide on low friction self-lubricating polymer slide pads.
- Meets OSHA 1910.180 requirements. and ANSI B30.5 safety standards .



Model	Power Boom	Power Extend	Manual Extend	Weight	O.A. Length Retracted	O.A. Width
LIB 5000 PXTW-PR	Yes	10' to 16'	No	1300 lbs	11' - 2 1/2"	22"
LIB 5000 PXTW20-PR	Yes	10' to 16'	16' to 20'	1400 lbs	11' - 4 1/2"	22"
LIB 5000 LS	Yes	10' to 20'	No	1470 lbs	11' - 4 1/2"	22"