



# B59 BLUELIFT

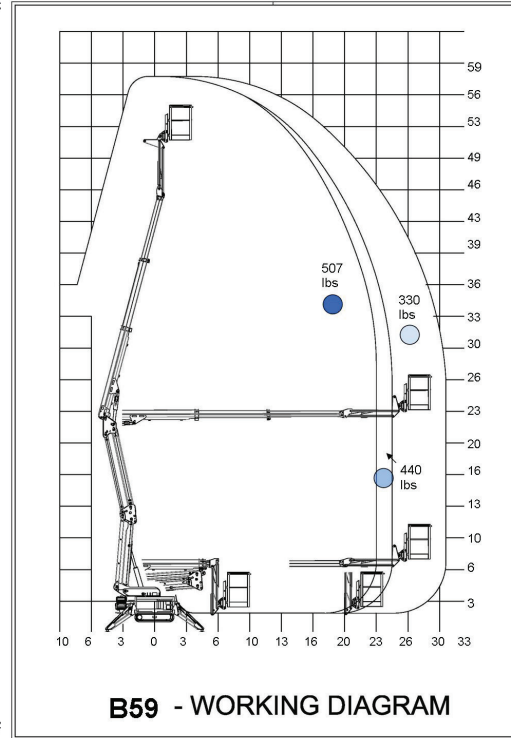
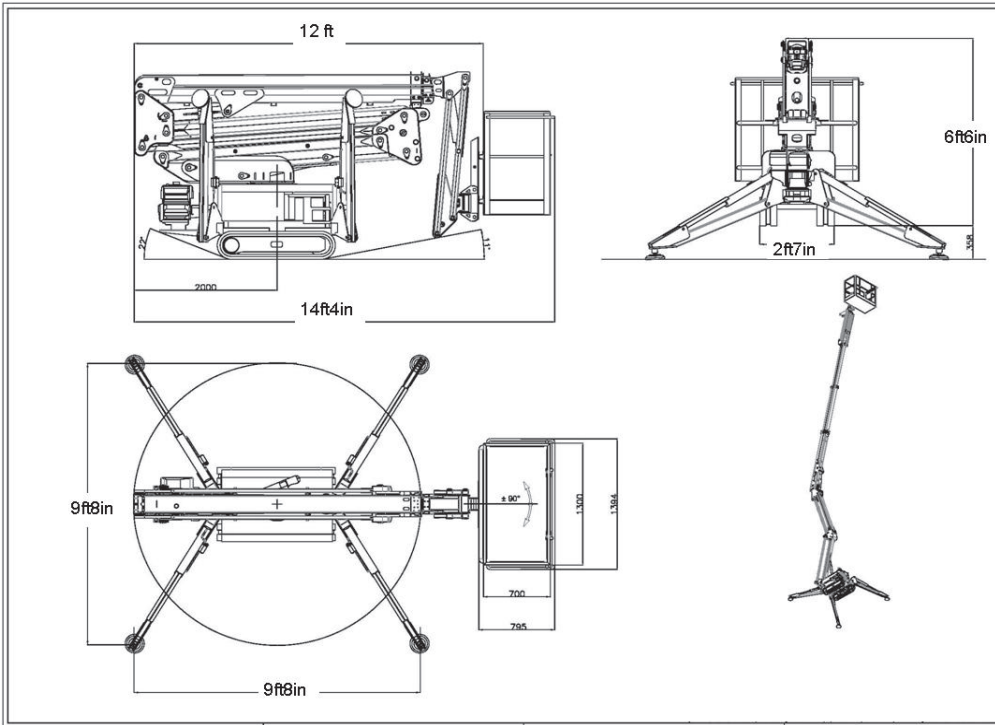
## The BLUELIFT Series

Meet our newest model the BlueLift B59. This lift debuted at Bauma Expo in Munich the week of April 15, 2013. Now exclusively distributed in the US, Canada and Mexico by ReachMaster, Inc. Innovation, quality, superior design and above all safety are trademarks of Bluelift s.r.l..

- Pass through a single or double door opening
- Automatic outrigger setting
- Non marking tires
- Self stabilizing system
- Double speed drive system
- Detachable basket
- FMS (Function Memory System)
- Automatic turret center stop

Model	B59
Working height	59ft
Platform height	53ft
Max outreach	
○ 330 lbs/basket	30ft5in
● 440 lbs/basket	26ft
● 507 lbs/basket	24ft5in
Basket dims	4ft3 <sup>3</sup> / <sub>4</sub> in x 2ft3 <sup>1</sup> / <sub>2</sub> in
Basket rotation	+/-90°
Turret rotation	340°/ non continuous
Height	6ft6in
Length (w/o basket)	12ft
Length (w/ basket)	14ft4in
Width (w/o basket)	2ft7in
Footprint	9ft8in
Weight (approx)	4850lbs
Max pressure, tracks	TBA
Max pressure, footplate	TBA
Track size (per track)	TBA
Foot pad size (per pad)	TBA
110V drive motor	Standard
Honda, iGX440	Standard
Hatz diesel engine	Option

We reserve the right to alterations



# B59 BLUELIFT

## Standard Specifications:

- Hydraulic Leveling platform with closed circuit
- 180° (+/-90°) basket rotation
- Protection of outrigger cylinders
- Non marking tracks
- Self propelled
- 110V drive motor
- Honda iGX440 15HP engine
- 340° non cont. turret rotation
- Manual pump for emergency lowering
- Width of only 2ft7in
- 2 person basket

## Options:

- Track width adjusting system
- Lithium battery hybrid
- Diesel engine

## Additional Specifications:

- |                    |            |
|--------------------|------------|
| Jib working angle  | -100°/ 10° |
| Operating speed    | 0.9mph     |
| Drive gradability  | 15%/28%    |
| Set-up gradability | 10%/18%    |

