

ETC 35 SNT

ARTICULATED / TELESCOPIC
NON-INSULATED



POWERFUL SOLUTION

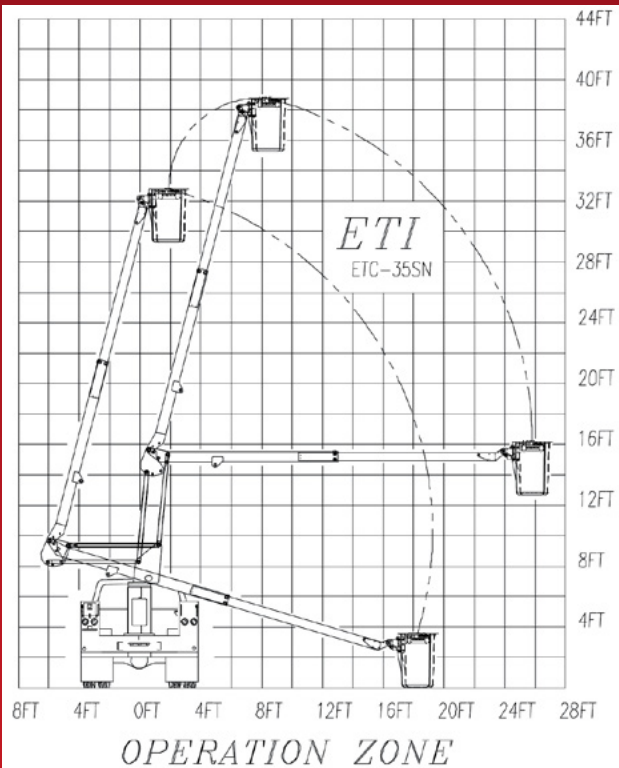
The ETC 35 SNT is a non-insulated unit with 40' of working height and 390 degrees of non-continuous rotation. This aerial is an articulated, telescoping model providing the end-user a powerful solution to meet all personnel lifting needs in the field. Bucket mounted controls, variable speed controls and hydraulic bucket leveling are standard on this unit with a multitude of available options to suit each customized need.



DEPEND ON IT.™



ETC35SNT



**EQUIPMENT TECHNOLOGY LLC
IS A FULL SERVICE SOLUTION
PROVIDER OF THE HIGHEST
QUALITY DESIGN,
MANUFACTURING, AND POST
SALE SERVICE.**

EQUIPMENT TECHNOLOGY LLC

341 NW 122nd
Oklahoma City, OK 73114
Toll-Free: 1-888-748-3841 • Fax: 1-405-755-6829
etiequipment.com

GENERAL SPECIFICATIONS*

Height to bottom of bucket 35 ft. - 0 in.
Working height 40 ft. - 0 in.
Side reach, End mount 26 ft. - 0 in.
Rotation 390° Non-continuous
Lower boom articulation 0 to 95 degrees
Upper boom travel -17 to 75 degrees
Stow height 9 ft. - 9 in.
Rated bucket capacity 350 lbs.

MINIMUM VEHICLE SPECIFICATIONS

- GVWR 16,000 lbs.
- C.A. 60 in

STANDARD FEATURES

- Bucket mounted controls
- Variable speed controls
- Hydraulic bucket leveling
- Emergency upper boom controlled descent
- Engine start/stop at bucket

OPTIONS

- Emergency hydraulic power (12VDC)
- Air line to bucket
- Bridgeframe Hi-Cube body
- 90 degree bucket rotator
- 400 lbs bucket capacity
- Various DC power options

