

AC50-332 Articulating Crane

Specifications

Number of Extensions	2-Hydraulic	3-Hydraulic	4-Hydraulic	5-Hydraulic
Crane Rating*	333,000 ft-lbs (46 tm)	333,000 ft-lbs (46 tm)	333,000 ft-lbs (46 tm)	333,000 ft-lbs (46 tm)
Max. Horizontal Reach	26'1" (7.95 m)	32'10" (10 m)	39'5" (12 m)	46'3" (14.1 m)
Max Vertical Reach Hydraulic	39'5" (12 m)	46'3" (14.1 m)	52'10" (16.1 m)	59'9" (18.2 m)
Max. Capacity	22,530 lb (10240 kg)	21,520 lb (9780 kg)	20,680 lb (9400 kg)	20,262 lb (9210 kg)
Max Capacity @ Max Reach	12,500 lb (5660 kg)	9,600 lb (4340 kg)	7,500 lb (3405 kg)	5,940 lb (2700 kg)
Crane Weight**	10,100 lb (4580 kg)	10,630 lb (4830 kg)	11,242 lb (5110 kg)	11,770 lb (5350 kg)
Number of Extensions	6-Hydraulic	7-Hydraulic	8-Hydraulic	
Crane Rating*	333,000 ft-lbs (46 tm)	333,000 ft-lbs (46 tm)	333,000 ft-lbs (46 tm)	
Max. Horizontal Reach	53'2" (16.2 m)	60'5" (18.4 m)	67'7" (20.6 m)	
Max Vertical Reach Hydraulic	66'7" (20.3 m)	73'10" (22.5 m)	81' (24.7 m)	
Max. Capacity	19,624 lb (8920 kg)	19,206 lb (8730 kg)	18,480 lb (8400 kg)	
Max Capacity @ Max Reach	4,274 lb (2170 kg)	3,806 lb (1730 kg)	3,014 lb (1370 kg)	
Crane Weight**	12,210 kg (5550 kg)	12,628 kg (5740 kg)	13,024 kg (5920 kg)	

*Crane rating (ft-lb) is the rated load (lb) x the respective distance (ft) from centerline of rotation with all extensions retracted and the inner and outer booms in a horizontal position, per ANSI B30.22.

**Crane weight does not include outrigger

Specifications

Outrigger Foot Diameter	9.45" (240 mm)	Optimum Pump Capacity	21 GPM (80 L/min)
Crane Storage Height	96.85" (2460 mm)	System Pressure	4424 PSI (305 BAR)
Mounting Space***	50.2" (1275 mm)	Outrigger Extension Span	
Rotational Torque	5163 ft-lb (7000 daNm)	Standard (manual out, hydraulic down)	16'7" (5.05 m)
Rotation	400°		
Oil Reserve Capacity	55.5 gallons (210 L)		

***Allow an additional 10" between the cab and crane base for swing clearance.

Minimum Chassis Specifications

Gross Vehicle Weight Rating (GVWR)	57,304 lb
Resistance to Bending Moment (RBM)	2,447,025 in-lb

Notes

A. Weight distribution calculations are required to determine final axle loading. The use of service bodies, diesel engines, or longer wheelbase, can increase the minimum chassis requirements. Please contact Auto Crane for details.

B. GAWR (Gross Axle Weight Rating) is the total weight of the vehicle including the (chassis, driveline, occupants, cargo, etc.) that is allowed by the manufacturer requirements, for the vehicle to go down the road safely. This is a critical factor in purchasing a truck for the crane application. All chassis and



4707 N. Mingo Road
Tulsa, OK 74117
918-836-0463
www.autocrane.com

AC50-332

AC50-332 Articulating Crane

System Characteristics

Rotation System

Our Articulating Cranes utilize a rack and pinion rotation system which provides high torque for demanding applications. The column turns on bushings made of an advanced composite material for long service life. The rotation cylinders are protected by a load holding valve and flow controls to ensure safe and precise operation.

Cylinder Holding Valves

Flanged load holding valves on hydraulic cylinders provide smooth load control and load holding. In the event of a hose failure, they lock the cylinder in place to prevent uncontrolled crane movement or falling loads.

Hydraulic Overload System

Providing the Hydraulic Overload protection are main relief and port relief valves, as well as counterbalance valves.

Hydraulic System

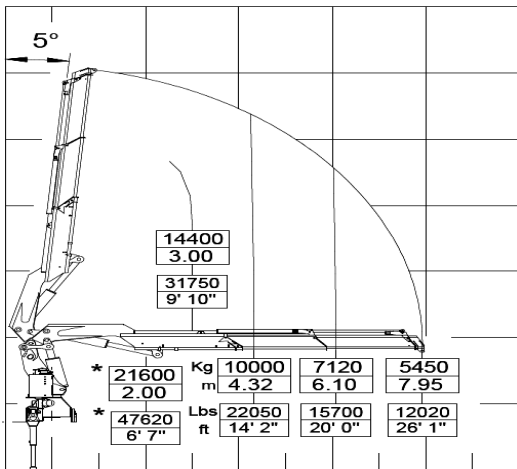
The hydraulic system is open-center as standard. Included on the crane is a hydraulic oil reservoir, return line filter, high-pressure filter(1), and control valve with dual-side controls(2). An optional closed-center valve is available on request.

Exceptions

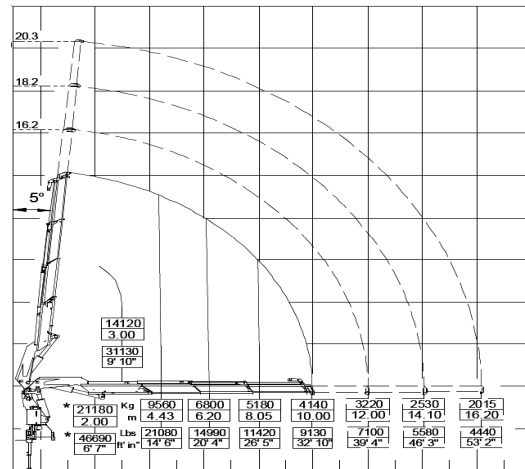
- (1) Cranes with manual controls do not have high pressure filter
- (2) Cranes with radio controls do not have dual-side controls

Capacity Charts

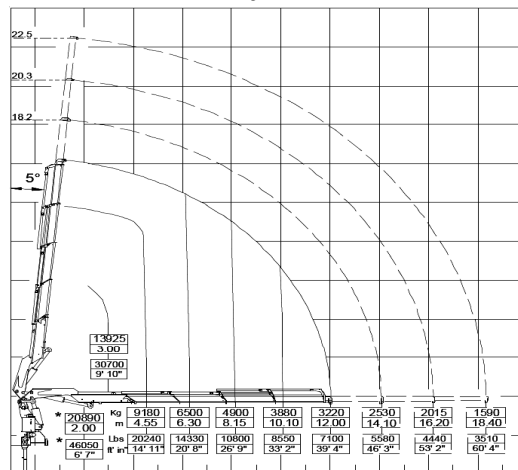
AC50-332 2 Hydraulic Extensions



AC50-332 3 Hydraulic Extensions



AC50-332 4 Hydraulic Extensions

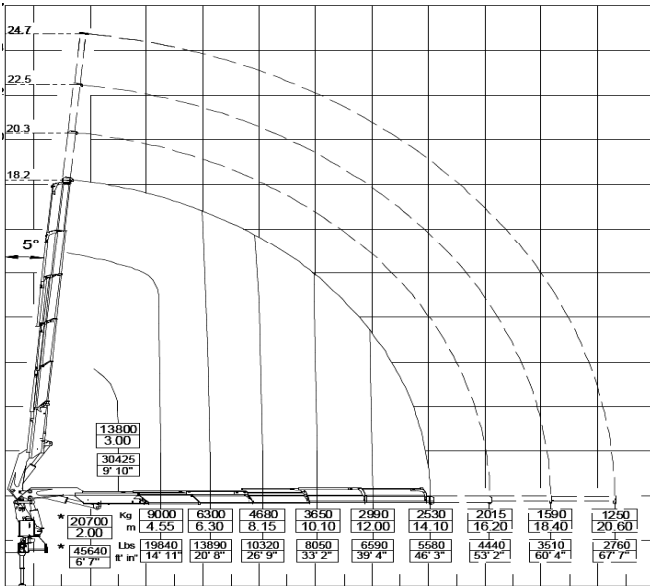


4707 N. Mingo Road
Tulsa, OK 74117
918-836-0463
www.autocrane.com

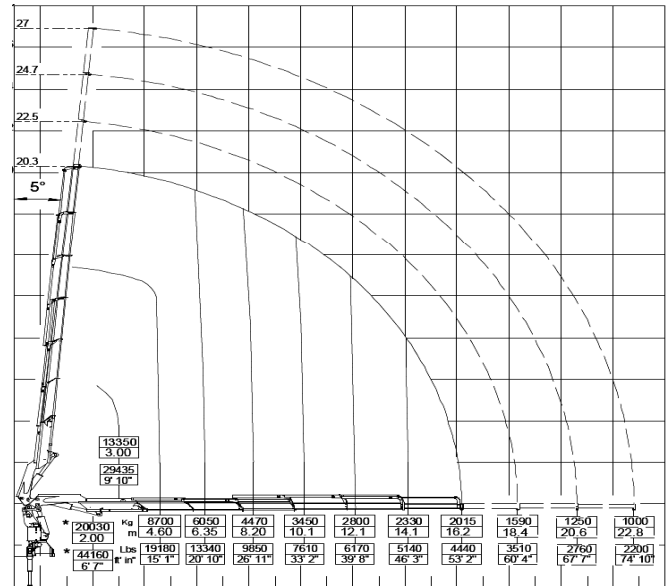
AC50-332 Articulating Crane

Capacity Charts

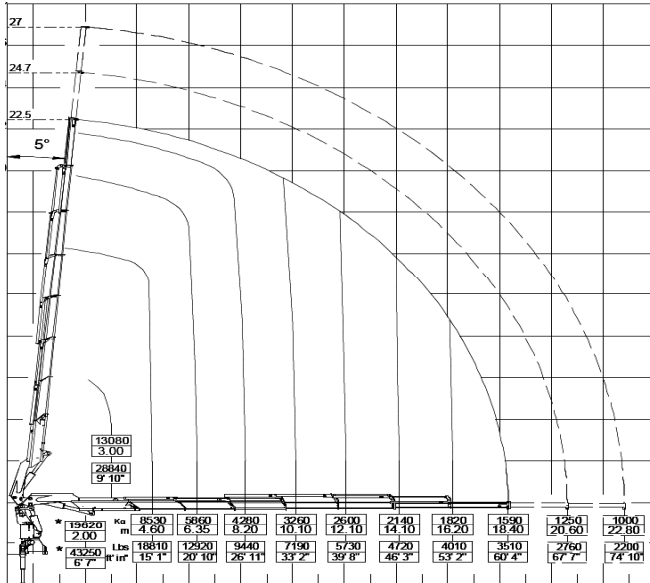
AC50-332 5 Hydraulic Extensions



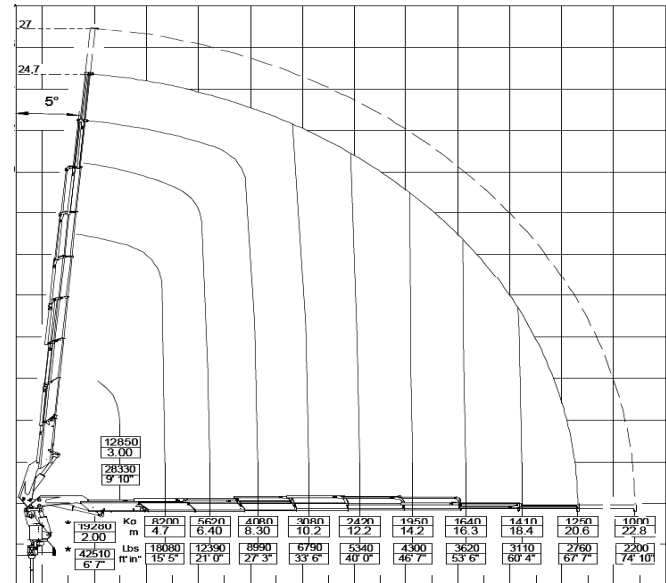
AC50-332 6 Hydraulic Extensions



AC50-332 7 Hydraulic Extensions



AC50-332 8 Hydraulic Extensions

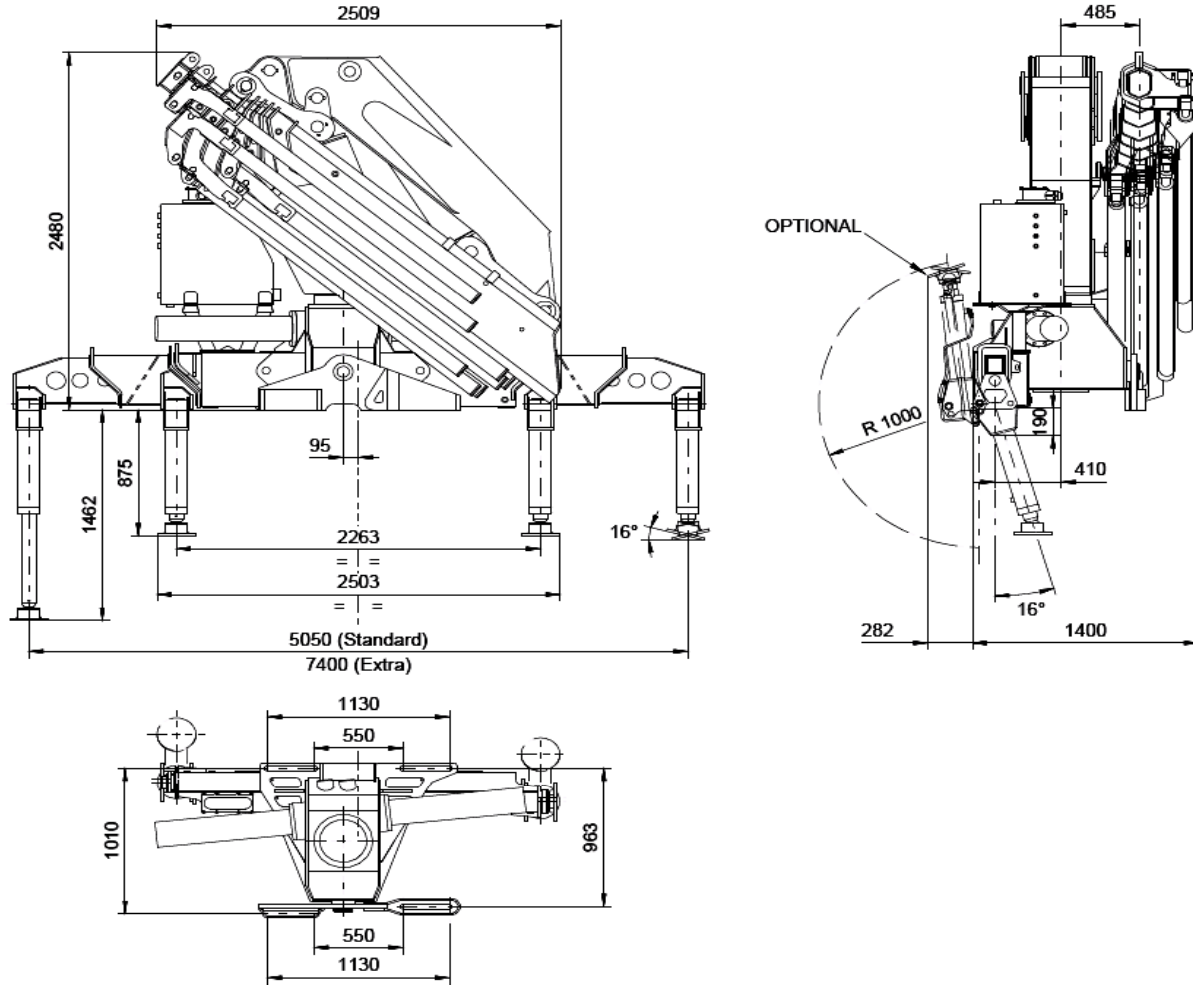


4707 N. Mingo Road
Tulsa, OK 74117
918-836-0463
www.autocrane.com

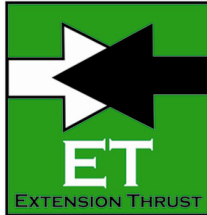
AC50-332 Articulating Crane

Geometric Configurations (Dimensions)

AC50-332 8 Hydraulic Extensions (mm)



Special Features (on select models)



4707 N. Mingo Road
Tulsa, OK 74117
918-836-0463
www.autocrane.com