

**STANDARD COMPONENTS INCLUDE:**

Boom, boom hoist cylinder, 2-speed winch, load line and 5 ton (4,5 mt) overhaul ball, turret, ride-around operator control station with seat, LMI & ATB protection systems, sub-frame with access ladders & integrated outriggers, hydraulic reservoir and boom rest.

**HYDRAULICS**

- 8-Bolt direct mounted PTO with SAE B or SAE BB output
- Three-section gear pump, SAE BB input (standard)

Pump Section	2000 RPM	2000 RPM
Shaft End Pump:	32.4 GPM @ 100 PSI	123 LPM @ 100 PSI
Center Pump:	20.6 GPM @ 100 PSI	78 LPM @ 100 PSI
Cover End Pump:	10 GPM @ 100 PSI	38 LPM @ 100 PSI

- Hydraulic reservoir - 70 gallon (265 liter) capacity

**WARNING SYSTEMS**

- LMI with display and crane function shut-offs for overload protection
- Radio anti-two block system

**OPTIONS**

- 13' (4 m) Flatbed - wood or steel
- 24" (610 mm) Bulkhead
- 29' (8,8 m) Fixed jib
- Rotation resistant wire rope, 9/16" (14,3 mm) diameter
- Load block - 1 & 3 sheave options
- Operator cab with diesel heater, air conditioner (hydraulic) upgrade option
- Front center stabilizer
- Three section vane pump, SAE B input

**BOOM**

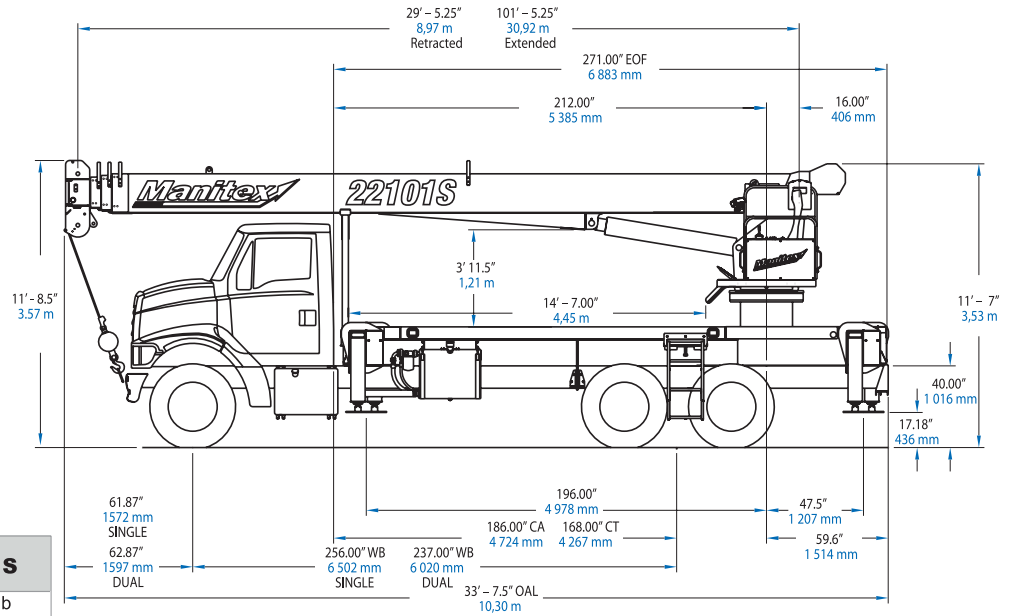
- 22 Ton (20,0 mt) capacity @ 5' (1,5 m) radius
- 4-Section 101' (30,8 m) proportional boom
- 3-Sheave quick reeve boom point

**HOIST**

- Maximum theoretical line speed 300 fpm (91 mpm)
- Maximum theoretical bottom-layer line pull 11,500 lb (5,216 kg)
- Wire Rope – 300' (91,4 m) of 9/16" (14,3 mm) diameter 6 x 25 EIPS IWRC

*In order to ensure continuous improvement, Manitex reserves the right to change design and specifications without notice.*

- Hydraulic oil cooler
- Hose reel - boom mounted
- Toolboxes
  - 24" L x 20" W x 18" H (610 mm x 508 mm x 457 mm)
  - 48" L x 18" W x 18" H (1220 mm x 457 mm x 457 mm)
- 2-Person gravity leveled non-rotating basket
- 2-Person gravity leveled rotating (manual) basket
- 4-Function radio remote crane control system



WEIGHTS	22101S
Crane Without Cab	18,903 lb 8 574 kg
Cab Alone	575 lb 261 kg
13' (4,0 m) Flat Bed	1,200 lb 544 kg
29' (8,8 m) Fixed Length Jib	660 lb 299 kg

MAXIMUM TIP HEIGHT (A)	22101S
Configuration	Boom 101' 30,8 m
Extended Boom	110' 8" 33,7 m
Fixed Jib	139' 10" 42,6 m

CHASSIS DATA	22101S SINGLE AXLE	22101S TANDEM AXLE
Wheelbase (WB)	256" 6 502 mm	237" 6 020 mm
Cab to Axle (CA)	186" 4 724 mm	-
Cab to Tandem (CT)	-	168" 4 267 mm
Cab to End of Frame (EOF)	271" 6 883 mm	271" 6 883 mm
Frame Section Modulus at 180° Area of Operation	15.9 in <sup>3</sup> 110,000 psi 758 422 kPa	15.9 in <sup>3</sup> 110,000 psi 758 422 kPa
Frame Section Modulus * at 360° of Operation	18.0 in <sup>3</sup> 50,000 psi 344 750 kPa	18.0 in <sup>3</sup> 50,000 psi 344 750 kPa
Front Axle Gross Weight Rating	CONSULT FACTORY	12,000 lb 5 443 kg
Rear Axle Gross Weight Rating		34,000 lb 15 422 kg
Minimum Truck Axle Weight - Front**		6,800 lb 3 084 kg
Minimum Truck Axle Weight - Back**		7,400 lb 3 357 kg
Nominal Frame Width	34" 864 mm	34" 864 mm

\*Frame section modulus at 360° area of operation requires front bumper stabilizer.  
 \*\*Minimum chassis weight is required to meet 85% stability requirements.  
 Chassis data is general - not for engineering. Some dimensions depend on truck selection.

