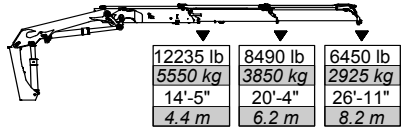


25/180

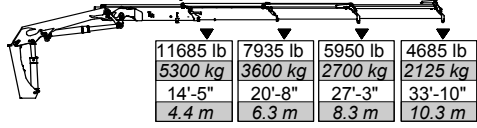
Articulating Crane Technical Specifications

25/180 Lifting Capacities

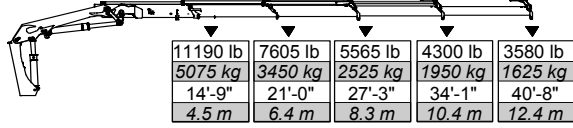
25/180 - 2 Hydraulic



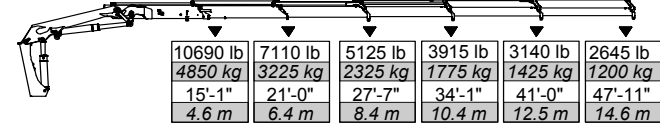
25/180 - 3 Hydraulic



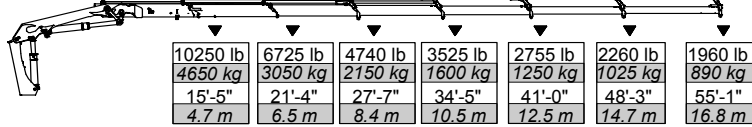
25/180 - 4 Hydraulic



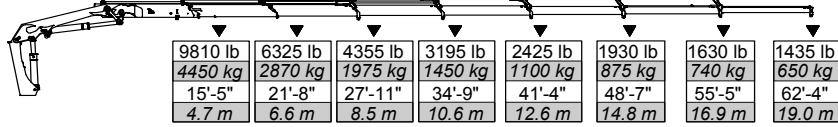
25/180 - 5 Hydraulic



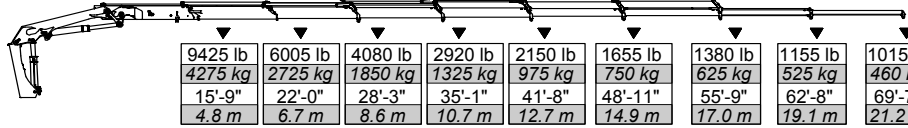
25/180 - 6 Hydraulic



25/180 - 7 Hydraulic



25/180 - 8 Hydraulic



Note: Crane appearance subject to change.

25/180 Specifications

Outrigger Pad Diameter	8.0" (200 mm)
Crane Storage Height	7' 9" (2355 mm)
Mounting Space ***	3' 6" (1060 mm)
Rotational Torque	24,230 ft-lb (3.4 tm)
Rotation	420°
Optimum Pump Capacity	17 U.S. gpm (65 lpm)
System Pressure	4,135 psi (285 bar)
Oil Reservoir Capacity	42.3 gal (160 L)
Outrigger Extension Span	
Standard (manual out / hydraulic down)	20' 4" (6200 mm)
Weight	1045 lb (475 kg)

Minimum Chassis Specifications

Front Axle Rating (GAWR)	16,000 lb (7255 kg)
Rear Axle Rating (GAWR)	40,000 lb (18,145 kg)
Resistance To Bending Moment	2,700,000 in-lb (311,075 kg-m)

25/180	2 - Hydraulic	3 - Hydraulic	4 - Hydraulic	5 - Hydraulic	6 - Hydraulic	7 - Hydraulic	8 - Hydraulic
Crane Rating*	176,485 ft-lb (24.4 tm)	168,530 ft-lb (23.3 tm)	164,190 ft-lb (22.7 tm)	161,295 ft-lb (22.3 tm)	157,680 ft-lb (21.8 tm)	151,895 ft-lb (21.0 tm)	148,275 ft-lb (20.5 tm)
Maximum Horizontal Reach	27' 3" (8.3 m)	34' 1" (10.4 m)	41' 0" (12.5 m)	48' 3" (14.7 m)	55' 5" (16.9 m)	62' 8" (19.1 m)	69' 7" (21.2 m)
Maximum Vertical Reach	35' 5" (10.8 m)	42' 4" (12.9 m)	49' 3" (15.0 m)	56' 5" (17.2 m)	63' 8" (19.4 m)	70' 10" (21.6 m)	78' 1" (23.8 m)
Maximum Capacity	20,945 lb (9500 kg)	20,670 lb (9375 kg)	20,450 lb (9275 kg)	20,285 lb (9200 kg)	20,060 lb (9100 kg)	19,730 lb (8950 kg)	19,455 lb (8825 kg)
Max Cap @ Max Reach	6450 lb (2925 kg)	4685 lb (2125 kg)	3585 lb (1625 kg)	2645 lb (1200 kg)	1960 lb (890 kg)	1435 lb (650 kg)	1015 lb (460 kg)
Crane Weight **	5800 lb (2630 kg)	6285 lb (2850 kg)	6745 lb (3060 kg)	7185 lb (3,260 kg)	7605 lb (3450 kg)	7935 lb (3600 kg)	8210 lb (3725 kg)
Hook Approach							
Vertical	8' 8" (2640 mm)	8' 5" (2560 mm)	8' 2" (2480 mm)	7' 10" (2400 mm)	7' 7" (2320 mm)	7' 4" (2240 mm)	7' 1" (2160 mm)
Horizontal	1' 8" (0.52 m)	2' 0" (0.60 m)	2' 3" (0.68 m)	2' 6" (0.76 m)	2' 9" (0.84 m)	3' 0" (0.92 m)	3' 3" (1.00 m)
Center of Gravity - Stored							
Vertical	2' 9" (830 mm)	2' 9" (850 mm)	2' 10" (865 mm)	2' 11" (880 mm)	2' 11" (900 mm)	3' 0" (915 mm)	3' 0" (925 mm)
Horizontal (C/L RotTo Bridge)	11.6" (295 mm)	11.8" (300 mm)	11.8" (300 mm)	11.6" (295 mm)	11.4" (290 mm)	11.2" (285 mm)	11.2" (285 mm)

* Crane rating (ft-lb) is the rated load (lb) multiplied by the respective distance (ft) from centerline of rotation with all extensions retracted and the inner and outer booms in a horizontal position, per ANSI B30.22.

** Crane weight does not include outriggers. *** Maximum swing clearance radius required is 2'-5" (734 mm) at 8'-5" (2562 mm).

© 2009 Iowa Mold Tooling Co., Inc. All Rights Reserved.



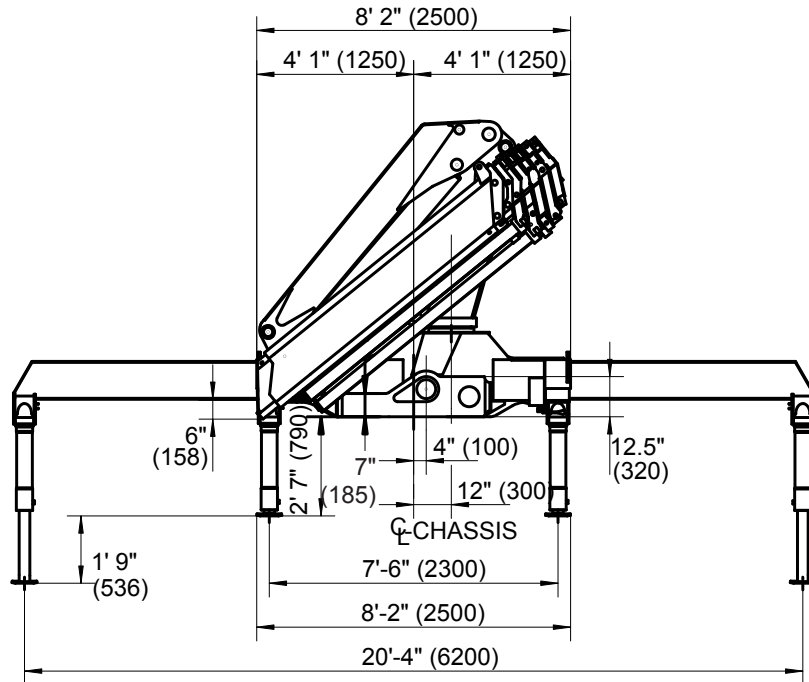
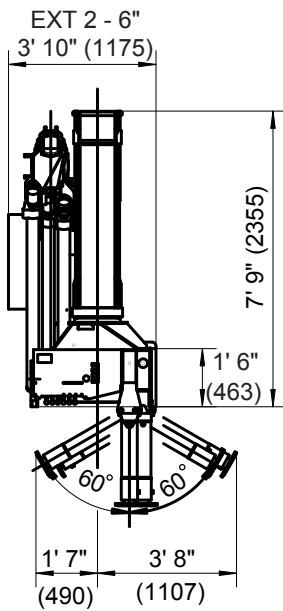
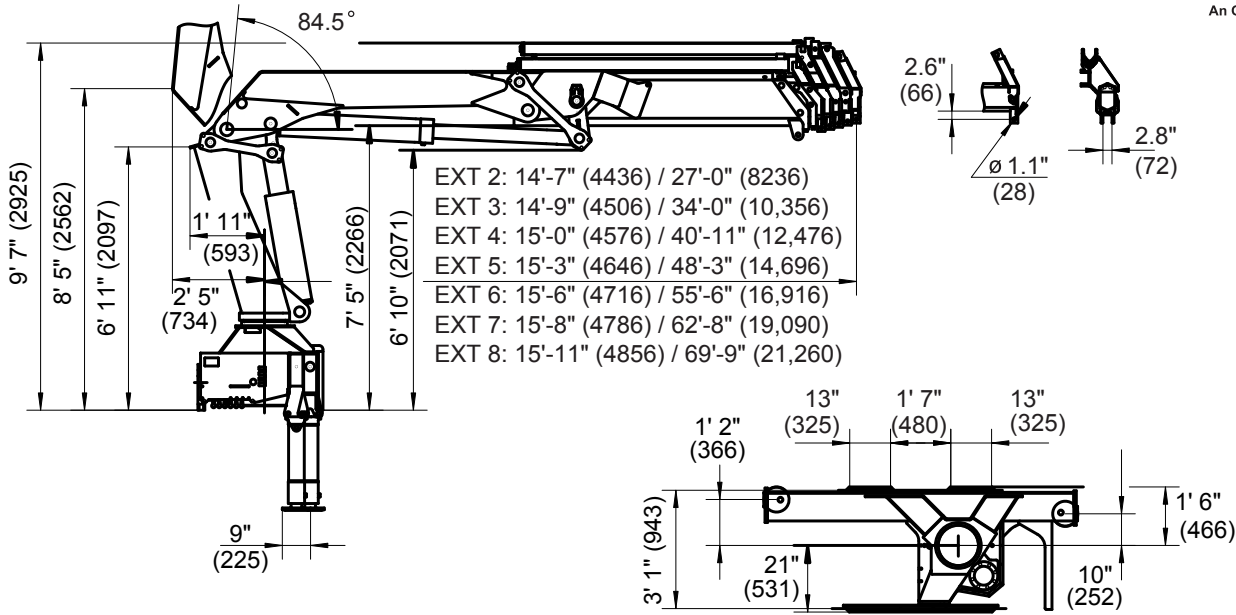
An Oshkosh Corporation Company

25/180 Articulating Crane

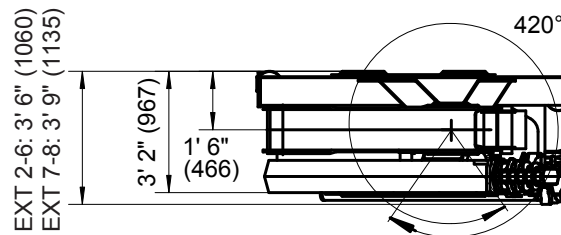
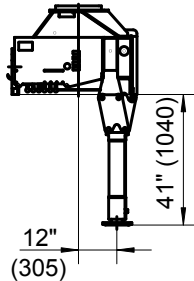


An Oshkosh Corporation Company

Geometric Configurations



OPTION



NOTE:
ALL DIMENSIONS IN
FEET & INCHES (mm)

Iowa Mold Tooling Co., Inc.

500 Highway 18 West P.O. Box 189 Garner, Iowa 50438-0189
800-247-5958 641-923-3711 Fax: 641-923-6063 www.imt.com

IMT reserves the right to make changes in engineering, design, and specifications; add improvements; or discontinue manufacturing at any time without notice or obligation.

IMT and the IMT LOGO are registered trademarks or trademarks of Iowa Mold Tooling Co., Inc., Garner, IA, USA.

© 2009 Iowa Mold Tooling Co., Inc. All Rights Reserved.