

PRINTED IN U.S.A
P/N 0-990-30016

COPYRIGHT © 1982
BRODERSON MFG. CORP.
LENEXA, KANSAS 66215

OWNER'S MANUAL IC-180-1A YARDRUNNER

OWNER: _____

SOLD AND SERVICED BY: _____

MODEL NO: _____ SERIAL NO: _____

1-900-00047

Effective: January 1, 1996

BRODERSON MANUFACTURING CORP.

STATEMENT OF WARRANTY

Broderson Manufacturing Corp. ("BMC") warrants its products to be free from defects in material or workmanship at the date of shipment from BMC. This warranty shall be effective only when validated by the return to BMC of its standard form of warranty validation certificate, duly completed and signed by the original purchaser from BMC and any subsequent purchaser who buys a BMC product as a new product, and then only as to defects reported to BMC in writing within 180 days from the date a product is placed in service, as evidenced by such warranty validation certificate. **THIS WARRANTY APPLIES TO ALL PARTS OF BMC'S PRODUCTS EXCEPT ENGINES, DRIVE TRAINS, HYDRAULIC SYSTEM COMPONENTS, OR ACCESSORY EQUIPMENT, WITH RESPECT TO WHICH BMC MAKES NO WARRANTY OF MERCHANTABILITY OR FITNESS FOR A PARTICULAR PURPOSE AND NO OTHER WARRANTY OF ANY KIND, EXPRESS OR IMPLIED;** the sole warranties, if any, with respect thereto being those made by the respective manufacturers thereof.

THE SOLE REMEDY FOR BREACH BY BMC OF THIS WARRANTY SHALL BE THE REPLACEMENT OF ANY PARTS OF ITS PRODUCTS WHICH WERE DEFECTIVE AT THE DATE OF SHIPMENT OR, IF (AND ONLY IF) REPLACEMENT OF DEFECTIVE PARTS IS IMPOSSIBLE OR IS DEEMED BY BMC TO BE IMPRACTICAL, REPLACEMENT OF THE ENTIRE PRODUCT OR, AT BMC'S OPTION, REFUND OF THE PURCHASE PRICE. The replacement remedies include labor in connection with the removal of defective parts and the installation of their replacements, as well as the cost of delivery and transportation of defective products or parts and the replacements thereof. The sole purpose of these remedies is to provide the purchaser with free replacement of defective parts or, in the limited circumstances specified, replacement of the entire product or a refund of the purchase price. These exclusive remedies shall not be deemed to have failed of their essential purpose so long as BMC is willing and able to replace defective parts or the entire product or to refund the purchase price. The remedies herein provided shall be available only if BMC is given reasonable access to the product, including all allegedly defective parts, promptly after the defect is discovered. BMC shall have the right to return any allegedly defective parts to its plant or any other location selected by it, for inspection and testing to determine whether they were defective at the date of shipment, prior to replacement thereof.

The warranty herein made is extended only to the original purchaser from BMC and any subsequent purchaser who buys a BMC product as a new product. **WITHOUT LIMITING THE GENERALITY OF THE FOREGOING, BMC EXPRESSLY DISCLAIMS THAT THE WARRANTY MADE HEREIN EXTENDS TO A PERSON WHO RENTS OR LEASES ANY BMC PRODUCT OR WHO PURCHASES ANY BMC PRODUCT AS A USED PRODUCT.** For purposes hereof, a BMC product shall conclusively be deemed "used" after the expiration of six (6) months from its placement in service, as evidenced by a duly completed and signed warranty validation certificate actually received by Broderson, or after such earlier time as it has been operated for more than one hundred (100) hours. BMC shall have no liability hereunder with respect to products which have been subjected to misuse, negligence, accident or other external forces which may have caused or accentuated any apparent failure of such products to conform to the warranty herein made.

BMC does not warrant any of its products to meet any state, local or municipal law, ordinance, code, rule or regulation. The purchaser must assume the responsibility for maintaining and operating the products which are the subject of this warranty in compliance with such of the foregoing as may be applicable, and BMC shall not be liable for the purchaser's failure to meet such responsibility.

THE WARRANTY HEREIN MADE IS IN LIEU OF ANY OTHER WARRANTY, EXPRESS OR IMPLIED. BMC MAKES NO WARRANTY OF MERCHANTABILITY OR FITNESS FOR A PARTICULAR PURPOSE, OR ANY OTHER EXPRESS OR IMPLIED WARRANTY OF ANY KIND, TO ANY PURCHASER, LESSEE OR RENTER OF NEW OR USED BMC PRODUCTS OR ANY OTHER PERSON WHATSOEVER. NO PERSON IS AUTHORIZED TO ACT ON BEHALF OF BMC IN MODIFYING THE WARRANTY HEREIN MADE OR IN MAKING ANY ADDITIONAL OR OTHER WARRANTY.

IN NO EVENT SHALL BMC BE LIABLE FOR INCIDENTAL OR CONSEQUENTIAL DAMAGES OF ANY KIND WHATSOEVER. THIS EXCLUSION OF INCIDENTAL AND CONSEQUENTIAL DAMAGES IS INTENDED TO BE INDEPENDENT OF ALL OTHER PROVISIONS OF THIS STATEMENT OF WARRANTY AND SHALL BE GIVEN FULL EFFECT NOTWITHSTANDING THE UNENFORCEABILITY OR FAILURE OF THE ESSENTIAL PURPOSE OF ANY OTHER PROVISION OF THIS STATEMENT OF WARRANTY.

THE FOREGOING DISCLAIMERS OF WARRANTIES AND DISCLAIMER OF LIABILITY FOR INCIDENTAL OR CONSEQUENTIAL DAMAGES SHALL BE EFFECTIVE REGARDLESS OF WHETHER THE EXPRESS WARRANTY CONTAINED HEREIN BECOMES EFFECTIVE AS PROVIDED IN THE FIRST PARAGRAPH HEREOF.

PARTS LIST
AND
ILLUSTRATIONS

PARTS LIST AND ILLUSTRATIONS

NOTE: All Parts Orders must include unit model and Serial Number, Part Number, Description, and Quantity Required.

Description	Page
Master Assembly	4
Accelerator and Choke Group	44
Axle and Wheel Installation	40
Axle Parts - Drive	
Drive Axle Parts	68
Differential Parts	69
Differential Parts - No Spin	72
Axle Parts - Steer	
Steering Axle Service Parts	73
Booms Assembly	6
Brake Parts	
Drive Axle	71
Steering Axle	76 & 77
Brake System Installation	50
Center Post Assembly	24
Center Post Parts	23
Control Valves and Handles	30
Cylinders	
Extension Assembly	60
Extension Parts - Primary	61
Extension Parts - Secondary	62
Outrigger Assembly	63
Outrigger Parts	64
Steering Parts	67
Topping Assembly	65
Topping Parts	66
Drive Shafts	
Drive Line	37
Pump Shaft	38
Engine and Transmission Installation - Gas	16
Engine and Transmission Assembly - Gas	14
Engine and Transmission Installation - Diesel	20
Engine and Transmission Assembly - Diesel	18
Filters - Oil	32
Frame - Deck Covers and Seat	10
Fuel Tank Installation	54
Gauges	42

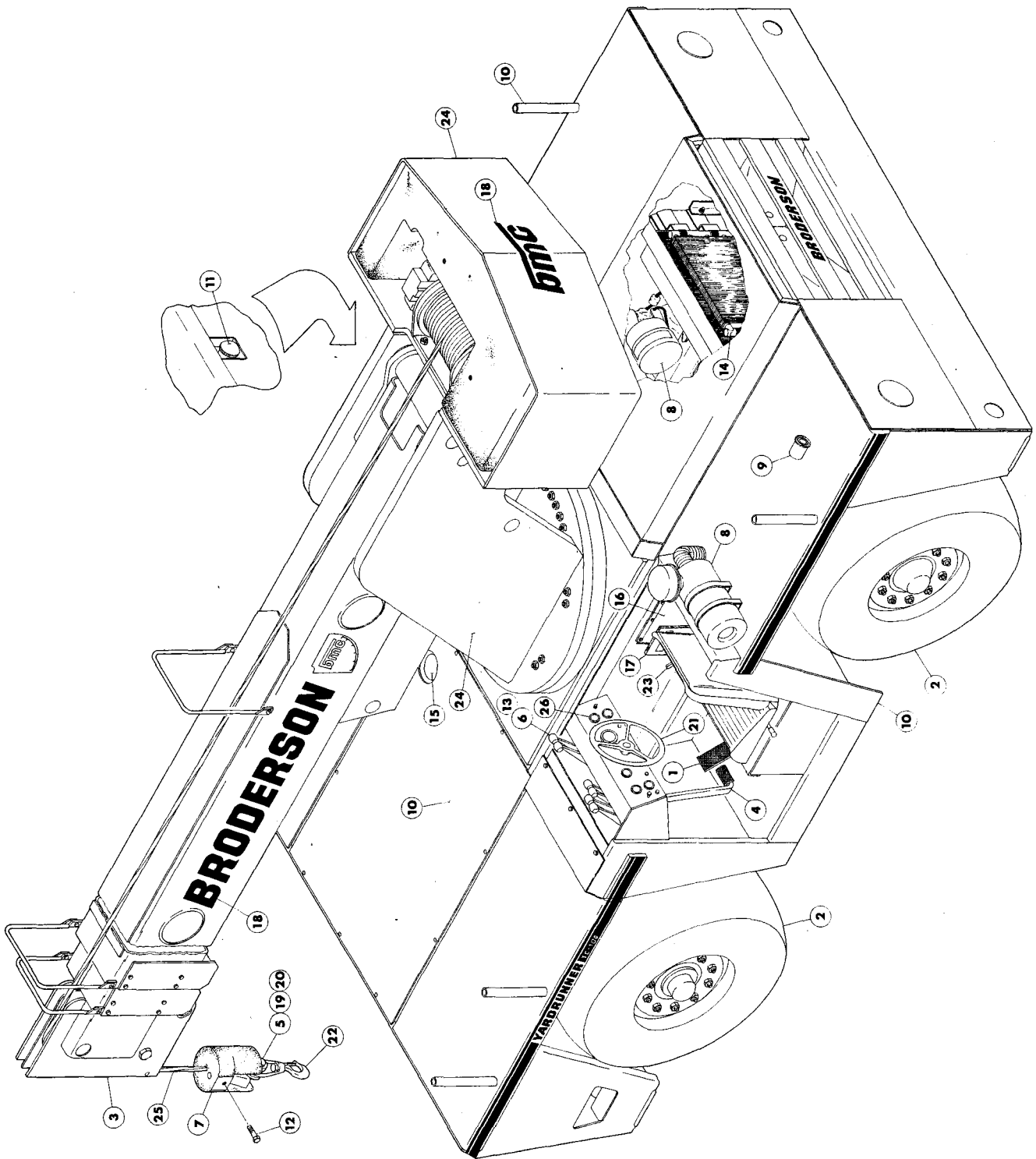
PARTS LIST AND ILLUSTRATION

NOTE: All Parts Orders must include unit model and Serial Number, Part Number, Description, and Quantity Required.

Description	Page
Hydraulic Parts and Schematic	26
Load Line	4
Oil Cooler Installation	34
Oil Reservoir Parts	32
Operator Instruction Package	8
Placard Installation	46
Pump	26
Pump Parts	93
Rotation Gear Box Parts	55
Steering System Installation	36
Torque Chart	117
Transmission Shift Installation	48
Transmission Parts - Manual	80
Transmission Parts - Reversing	84 & 87
Turntable, Outriggers, and Winch	12
Wiring Diagram and Gauge Installation	42
Winch Parts	58

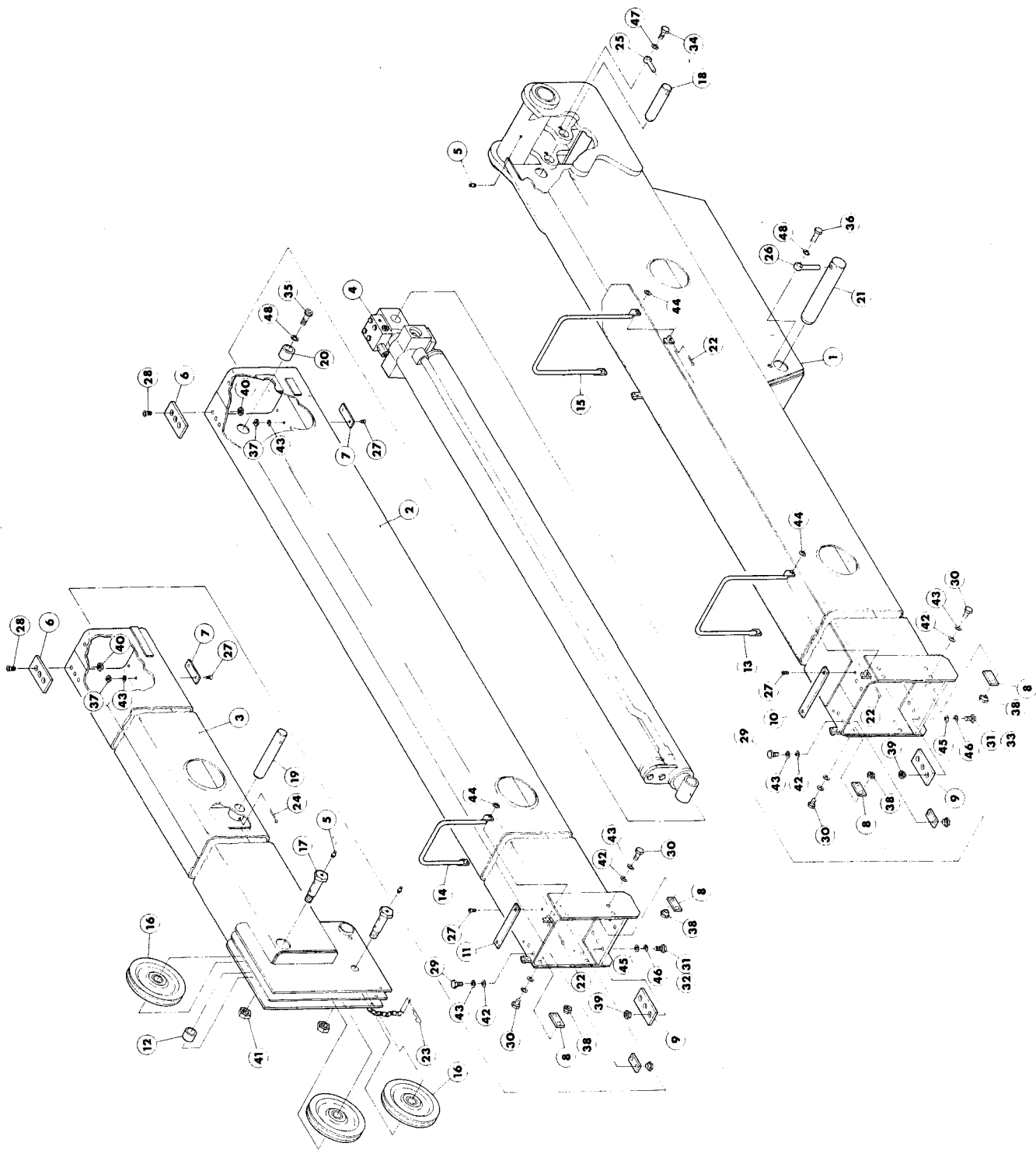
OPTIONS

Anti Two Block Parts	108
Back Up Alarm	114
Boom Extension Parts	106
Bucket Brake Parts	98
Cab and Heater Installation	90
Cab Parts	92
Defroster Installation	52
Fiberglass Bucket/s	96
Front Winch Installation	100
Winch Parts - Auxiliary - Front	101
L-P Gas Conversion	112
No Spin Differential Parts	72
Operator Guard Installation	94
Overload Alert System	34
Pintle Hook Installation	78
Roller Bracket - Front Winch	104
Sheave Blocks	28
Work Platform Installation	97



MASTER ASSEMBLY

ITEM NO.	PART NO.	DESCRIPTION	QTY.
0	5-600-00488	Master Assembly IC-180	Ref.
1	4-600-00492	Accelerator & Choke Group	1
2	5-600-61216	Axle & Wheel Installation	1
3	5-720-00151	Boom Assembly	1
4	5-600-00489	Brake System Installation	1
5	0-870-20007	Clevis Pin CL #S-4080	1
6	4-800-00123	Control Valve Installation	1
7	4-100-30036	Down Haul Weight	1
8	5-600-00490	Engine & Transmission Installation	1
9	0-501-01019	Filter Element	1
10	5-600-00487	Frame, Seat & Deck Covers Inst.	1
11	4-600-00494	Fuel Tank Installation	1
12	0-220-04007	Hex Hd. Bolt 1/2-13NC x 1-3/4" Lg.	1
13	5-500-00206	Hydraulic Parts Group	1
14	4-600-10134	Oil Cooler Installation	1
15	4-875-00017	Oil Reservoir Parts Group	1
16	2-652-00152	Operator Instruction Package	1
17	0-990-30016	Owners Manual IC-180	2
18	5-652-00151	Placard Installation	1
19	0-861-35002	Socket 1/2-CL #10-43202	1
20	0-861-45004	Socket Wedge 1/2-CL#421	1
21	4-600-70038	Steering System Installation	1
22	0-861-90009	Swivel Hook w/Latch - CL #S-322C	1
23	4-600-00496	Transmission Shift Installation	1
24	5-710-00086	Turntable, Outriggers & Winch Inst.	1
25	1-861-16012	Wire Rope 1/2 Dia. x 230' Lg. 6 x 25 IWRC	1
26	5-400-00133	Wiring & Gauge Installation	1



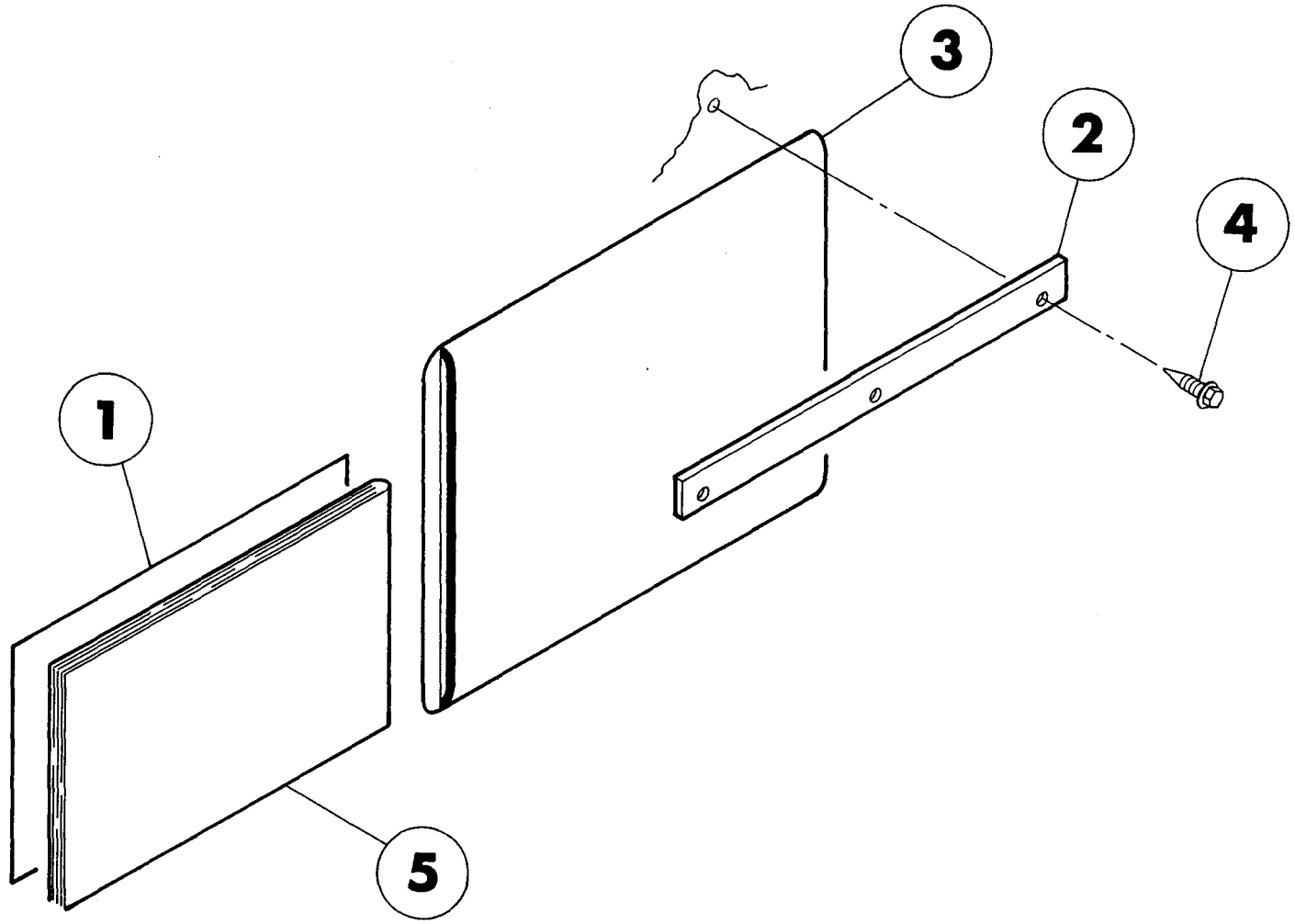
BOOM ASSEMBLY

ITEM NO.	PART NO.	DESCRIPTION	QTY.
0	5-720-00151	Boom Assembly IC-180	Ref.
1	5-722-00284	Outer Boom Weldment	1
2	4-722-00285	Boom Weldment - 2nd Stage	1
3	4-722-00286	Boom Weldment - 3rd Stage	1
4	4-540-40054	Extension Cylinder Assembly	1
5	0-501-03001	Grease Fitting 1/4-28NF	3
6	1-729-00345	Boom Rub Pad	4
7	1-729-00418	Boom Rub Pad	4
8	1-729-00419	Boom Rub Pad	12
9	1-729-00424	Boom Rub Pad	4
10	1-729-00425	Boom Rub Pad	1
11	1-729-00426	Boom Rub Pad	1
12	1-782-00337	Spacer Tube	1
13	2-783-01557	Cable Retainer	1
14	2-783-01558	Cable Retainer	1
15	2-783-01559	Cable Retainer	1
16	2-860-40004	Sheave	3
17	1-870-30096	Pin - Boom Sheave	2
18	2-870-40012	Pin - Extension Cylinder Base	1
19	1-870-40050	Pin - Extension Cylinder Rod	1
20	1-870-60006	Trunnion Pin	2
21	1-870-80002	Pin - Topping Cylinder Rod	1
22	0-224-01003	Cotter Pin 3/32 x 5/8" Lg.	6
23	0-224-02006	Hair Pin Cotter - Lietzke #1600-02375	1
24	0-224-06006	Cotter Pin 1/4 x 3" Lg.	1
25	1-224-25002	Rod End	1
26	1-224-26005	Rod End	1
27	0-223-00205	Flat Hd. Mach. Scr. 1/4-20NC x 3/4" Lg.	12
28	0-223-00411	Flat Hd. Mach. Scr. 3/8-16NC x 1" Lg.	12
29	0-220-00016	Hex Hd. Bolt 1/4-20NC x 5/8" Lg.	8

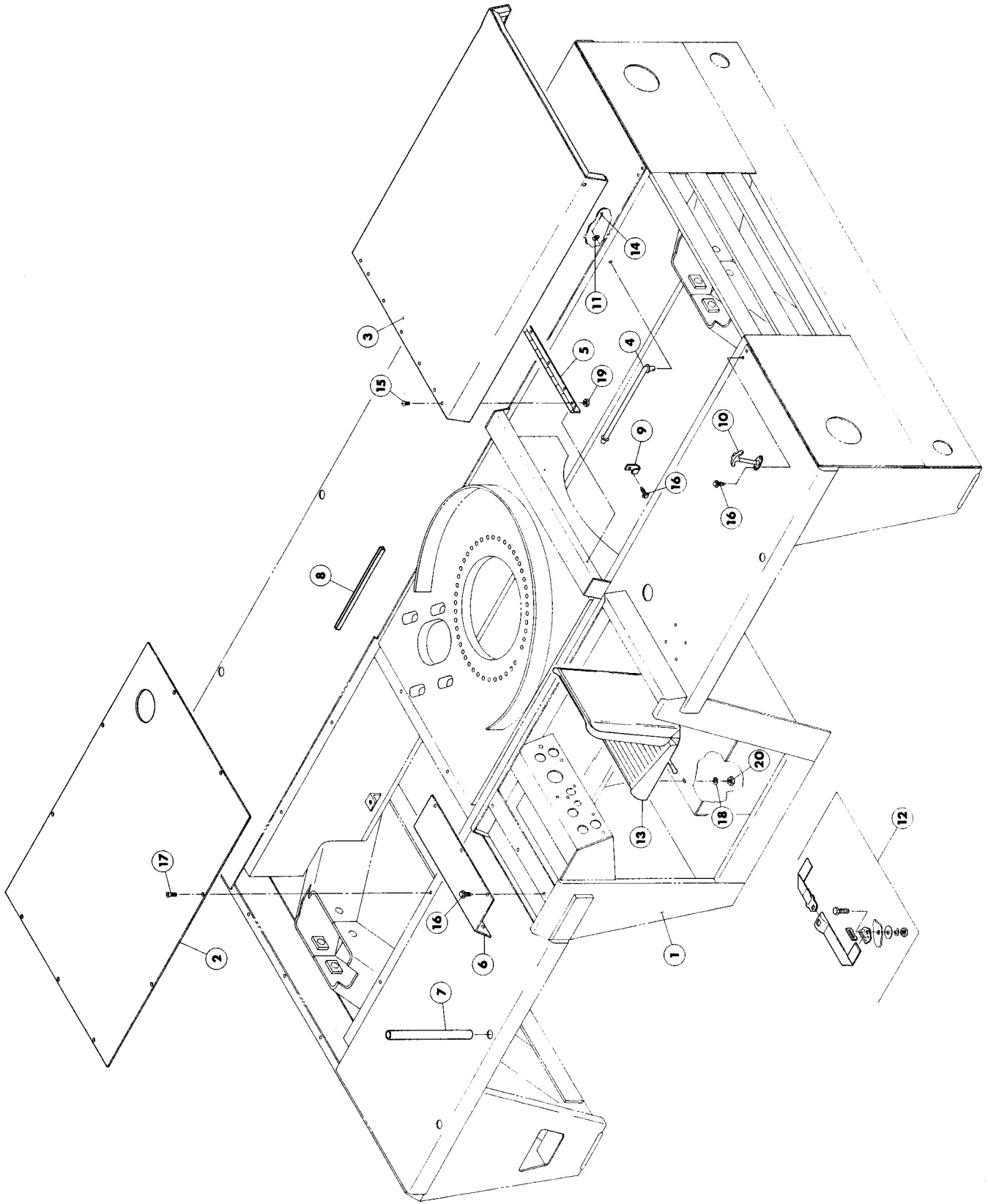
BOOM ASSEMBLY

ITEM NO.	PART NO.	DESCRIPTION	QTY.
30	0-220-00001	Hex Hd. Bolt 1/4-20NC x 1" Lg.	16
31	0-220-02002	Hex Hd. Bolt 3/8-16NC x 1-1/4" Lg.	8
32	0-220-02005	Hex Hd. Bolt 3/8-16NC x 2-1/2" Lg.	2
33	0-220-02001	Hex Hd. Bolt 3/8-16NC x 3" Lg.	2
34	0-220-04002	Hex Hd. Bolt 1/2-13NC x 1-1/4" Lg.	1
35	0-220-37001	Soc. Hd. Bolt 3/4-10NC x 1-1/2" Lg.	2
36	0-220-07006	Hex Hd. Bolt 3/4-10NC x 2" Lg.	1
37	0-221-00001	Hex Nut 1/4-20NC	8
38	1-221-80010	Nut Insert 1/4-20NC	24
39	1-221-80011	Nut Insert 3/8-16NC	12
40	0-221-92001	Hex Lock Nut 3/8-16NC	12
41	0-221-99002	Hex Lock Nut 1-8NC	2
42	0-222-00003	Flatwasher 1/4 Dia.	40
43	0-222-10001	Lockwasher 1/4 Dia.	32
44	0-222-01001	Lockwasher 5/16 Dia.	6
45	0-222-02001	Flatwasher 3/8 Dia.	12
46	0-222-12001	Lockwasher 3/8 Dia.	12
47	0-222-14001	Lockwasher 1/2 Dia.	1
48	0-222-17001	Lockwasher 3/4 Dia.	3

OPERATORS INSTRUCTION PACKAGE

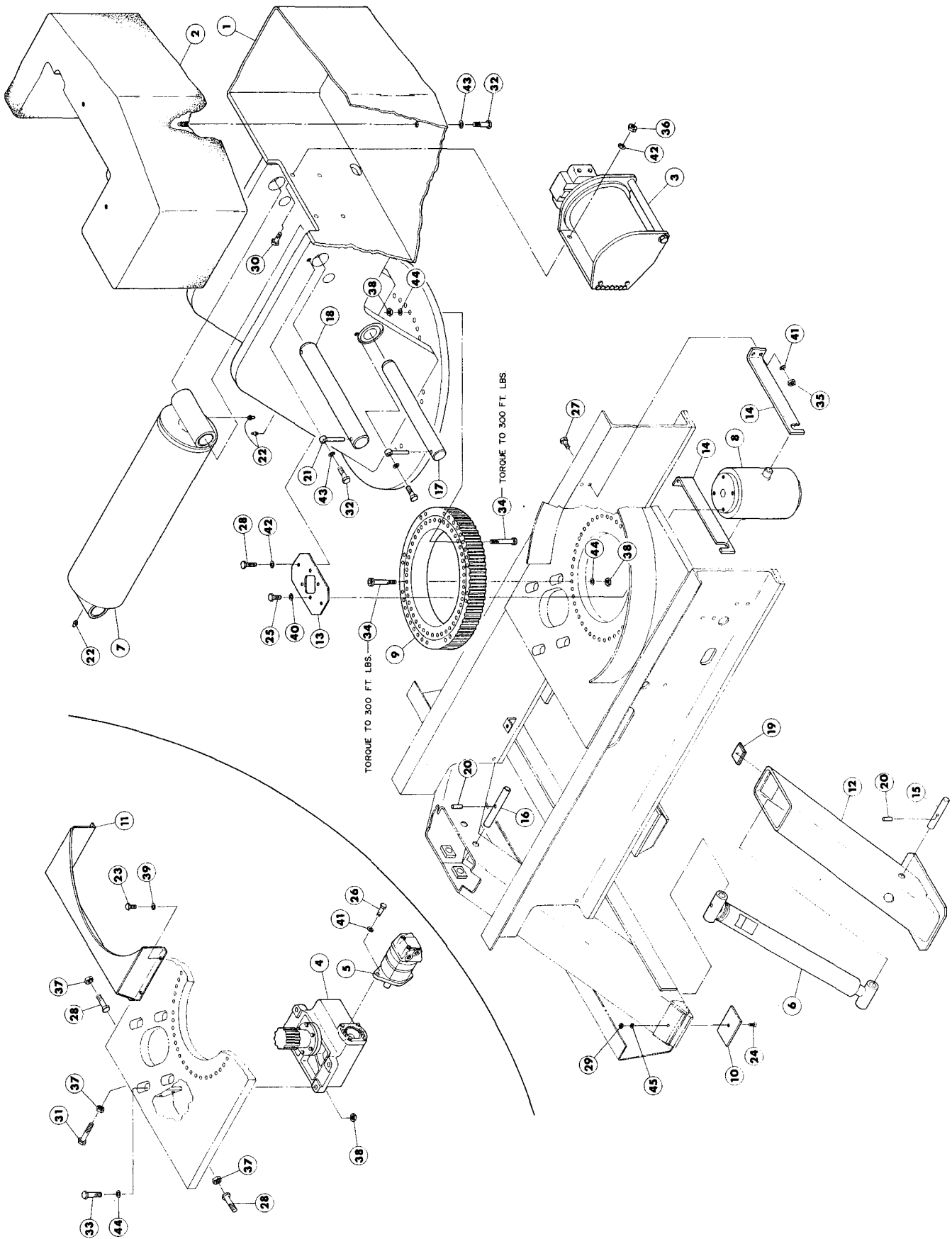


ITEM NO.	PART NO.	DESCRIPTION	QTY.
0	2-652-00152	Operators Instruction Package IC-180	Ref.
1	1-652-00153	Operating Instructions	1
2	1-783-01294	Support Bar	1
3	0-209-00220	Loc Top Vinyl Bag 8 x 10"	1
4	0-223-15203	Hex Hd. S.T. WF Scr. 1/4-20NC x 3/4" Lg.	3
5	0-990-30006	Crane Users Safety Manual-Cima #C-70	1



FRAME, SEAT AND DECK COVERS INSTALLATION

ITEM NO.	PART NO.	DESCRIPTION	QTY.
0	5-600-00487	Frame, Seat & Deck Covers Installation	Ref.
1	6-600-30948	Chassis Weldment	1
2	3-600-20093	Front Deck Cover	1
3	4-600-30950	Hood Weldment	1
4	1-600-30929	Hood Support Rod	1
5	3-203-00031	Hinge	1
6	3-802-00079	Control Cover	1
7	1-782-00329	Deck Stake	7
8	0-209-00222	Black Plastic Trim-Standard Prod.#75000-343	1.5'
9	0-201-00107	"J" Clamp - KMC #CJV-07009	1
10	0-209-00031	Hood Catch - Auto City Products #WJ100	2
11	0-222-04001	Flatwasher 1/2 Dia.	1
12	0-600-93016	Seat Belt Assembly - Wasson #64-P	1
13	0-600-93035	Seat - Seats Inc. #907-18	1
14	0-224-03002	Cotter Pin 5/32 x 3/8" Lg.	1
15	0-220-30005	Soc. - Button Hd. Bolt 1/4-20NC x 5/8" Lg.	7
16	0-223-15203	Hex Hd. Bolt S.T. WF 1/4-20NC x 3/4" Lg.	10
17	0-223-00401	C'Sunk Hd. Bolt 3/8-16NC x 3/4" Lg.-Nylock	9
18	0-222-11001	Lockwasher 5/16 Dia.	4
19	0-221-90001	Hex Lock Nut 1/4-20NC	7
20	0-221-01001	Hex Nut 5/16-18NC	4
21	0-221-04002	Hex Jam Nut 1/2-13NC	1



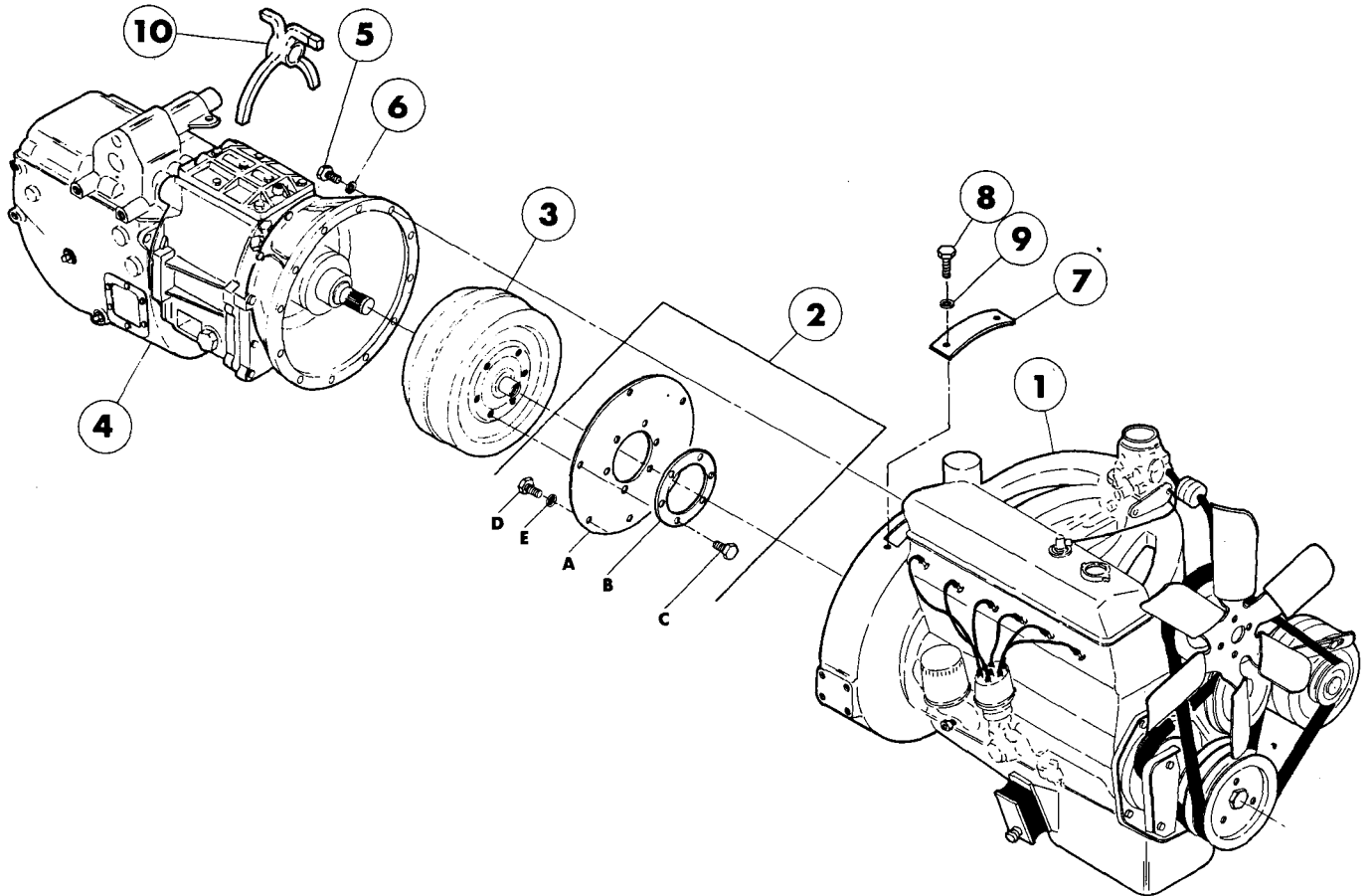
TURNTABLE, OUTRIGGER, AND WINCH INSTALLATION

ITEM NO.	PART NO.	DESCRIPTION	QTY.
0	5-710-00086	Turntable, Outrigger & Winch Inst.-IC-180	Ref.
1	5-712-00051	Turntable Weldment	1
2	4-100-30037	Counterweight	1
3	0-280-00014	Winch - GP #110-001R	1
4	4-280-00124	Rotation Gear Box - GP #135-00039	1
5	0-530-30012	Hydraulic Motor - Charlynn #104-1005	1
6	3-540-10035	Outrigger Cylinder Assembly	4
7	4-540-80028	Topping Cylinder Assembly	1
8	3-560-00036	Centerpost Assembly	1
9	3-716-00014	Rotation Bearing	1
10	1-729-00580	Outrigger Rub Pad	4
11	4-729-00573	Pinion Guard	1
12	2-760-10047	Outrigger Leg Weldment	4
13	3-770-00655	Centerpost Mounting Bracket	1
14	2-770-00762	Centerpost Mounting Bracket	2
15	1-870-20107	Outrigger Pin - Lower	4
16	1-870-20108	Outrigger Pin - Upper	4
17	1-870-80003	Pin - Topping Cylinder Base	1
18	1-870-90011	Pin - Boom Hinge	1
19	1-729-00585	Outrigger Leg Rub Pad	4
20	0-224-16005	Roll Pin 1/4 Dia. x 1-3/4" Lg.	8
21	1-224-26005	Rod End	3
22	0-501-03002	Grease Fitting	3
23	0-220-01014	Hex Hd. Bolt 5/16-18NC x 1/2" Lg.	7
24	0-223-00903	Flat Soc. Hd. Capscrew 5/16-18NC x 1-3/4" Lg.	4
25	0-220-02004	Hex Hd. Bolt 3/8-16NC x 1" Lg.	4
26	1-220-04028	Motor Mount Bolt	2
27	0-220-04005	Hex Hd. Bolt 1/2-13NC x 1-1/2" Lg.	4
28	0-220-06001	Hex Hd. Bolt 5/8-11NC x 1-1/2" Lg.	6
29	0-221-91001	Hex Locknut 5/16-18NC Nylok	4

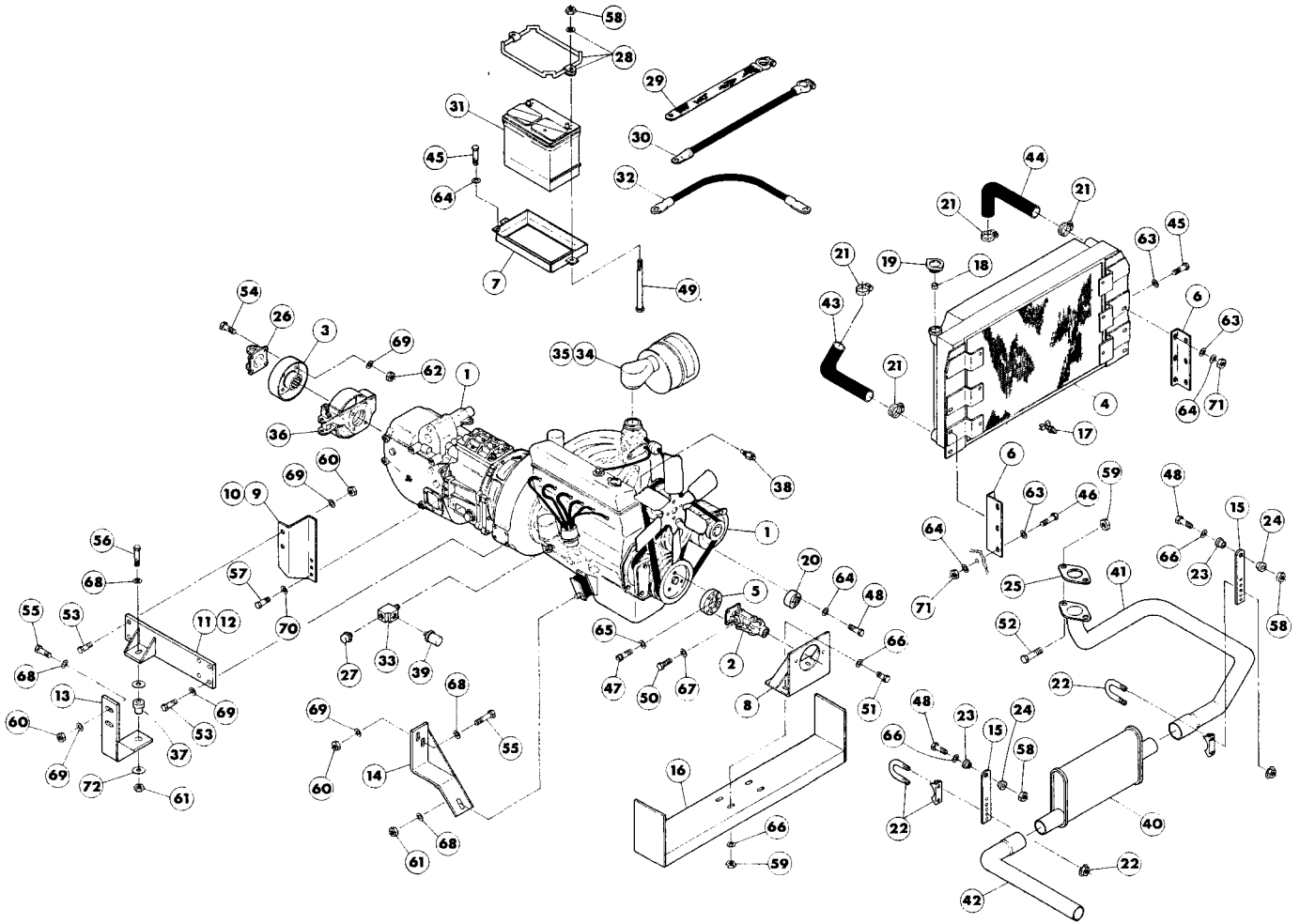
TURNTABLE, OUTRIGGERS, AND WINCH INSTALLATION

ITEM NO.	PART NO.	DESCRIPTION	QTY.
30	0-220-06015	Hex Hd. Bolt 5/8-11NC x 2-1/2" Lg.	4
31	0-220-06002	Hex Hd. Bolt 5/8-11NC x 2" Lg.	2
32	0-220-07009	Hex Hd. Bolt 3/4-10NC x 1-3/4" Lg.	6
33	0-220-07002	Hex Hd. Bolt 3/4-10NC x 3-1/2" Lg.	4
34	0-220-37003	Soc. Hd. Bolt 3/4-10NC x 5" Lg. Gr. 8	68
35	0-221-04001	Hex Nut 1/2-13NC	4
36	0-221-06001	Hex Nut 5/8-11NC	4
37	0-221-06002	Hex Jam Nut 5/8-11NC	6
38	0-221-97002	Hex Lock Nut 3/4-10NC Gr. C	72
39	0-222-11001	Lockwasher 5/16 Dia.	7
40	0-222-12001	Lockwasher 3/8 Dia.	4
41	0-222-14001	Lockwasher 1/2 Dia.	6
42	0-222-16001	Lockwasher 5/8 Dia.	6
43	0-222-17001	Lockwasher 3/4 Dia.	6
44	0-222-07003	Flatwasher 3/4 Dia. A-325	72
45	0-222-01001	Flatwasher 5/16 Dia. Med.	4

ENGINE AND TRANSMISSION ASSEMBLY - GAS



ITEM NO.	PART NO.	DESCRIPTION	QTY.
0	3-600-00456	Chrysler Eng. & Trans. Assy.	Ref.
1	1-600-10122	Chrysler Engine	1
2	0-600-10067	Drive Plate Kit-Borg & Beck #F86-D-4	1
3	1-600-10126	Torque Converter-Borg & Beck Md1 #203-10265	1
4	1-600-10124	Powershift Transmission - WG #PRI/T18	1
5	0-220-02004	Hex Hd. Bolt 3/8-16NC x 1 Lg.	12
6	0-222-12001	Lockwasher 3/8 Med. Spring	12
7	1-600-10110	Cover Plate	1
8	0-220-00002	Hex Hd. Bolt 1/4-20NC x 1/2 Lg.	2
9	0-222-10001	Lockwasher 1/4 Dia.	2
10	2-600-13028	Shift Fork Modification	1



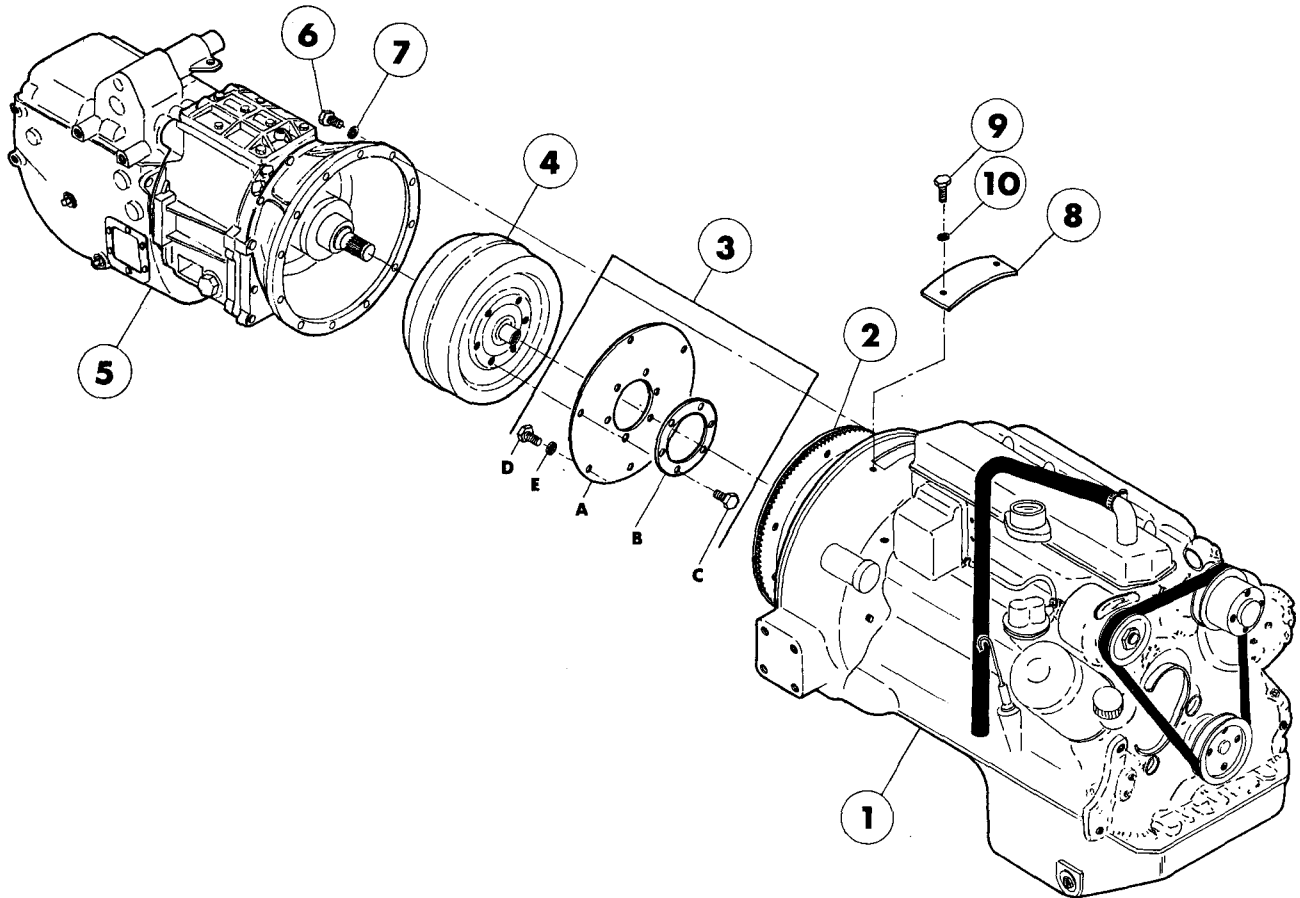
ENGINE AND TRANSMISSION INSTALLATION - GAS

ITEM NO.	PART NO.	DESCRIPTION	QTY.
0	5-600-00490	Engine & Transmission Inst. - Gas	Ref.
1	3-600-00456	Chrysler Engine & Trans. Assy.	1
2	3-333-10040	Drive Shaft Assembly	1
3	1-600-13049	Brake Drum Assembly	1
4	5-600-19088	Radiator	1
5	2-600-19095	PTO Adapter	1
6	2-770-00763	Radiator Mounting Bracket	2
7	2-770-00635	Battery Box Weldment	1
8	3-771-00165	Pump Mounting Bracket	1
9	2-771-00178	Engine & Trans. Mount - L.H.	1
10	2-771-00179	Engine & Trans. Mount - R.H.	1
11	2-771-00181	Engine & Trans. Mount - L.H.	1
12	2-771-00182	Engine & Trans. Mount - R.H.	1
13	2-771-00201	Engine & Transmission Mount	2
14	3-771-00203	Engine Mount	2
15	2-783-00131	Muffler Support Bar	2
16	2-771-00195	Pump Mounting Bracket	1
17	9-110-00019	Drain Cock #1686198	1
18	9-110-00020	Radiator Pellet #2946095	1
19	9-110-00021	Radiator Cap #2516463	Ref.
20	0-110-00034	Fan Spacer	1
21	0-201-00051	Hose Clamp - Gates #24	4
22	0-201-00096	U-Bolt Clamp Assy - AP#T200	2
23	0-209-00010	Grommet	2
24	0-209-00011	Grommet	2
25	0-263-00001	Manifold Gasket	1
26	0-333-30014	Flange Yoke - Spicer #4-2-669	1
27	0-400-04302	Pressure Switch - SW #M4000-4	Ref.
28	0-400-06001	Battery Holddown - Whitaker #3238	1
29	0-400-06002	Ground Strap	1
30	0-400-06042	Cable	1
31	0-400-06005	Battery - Delco #R-50-1980-209	1
32	0-400-06040	Battery Cable	Ref.
33	0-570-50026	Tee - Weatherhead #3750 X-2	1
34	0-600-12009	Air Cleaner - Fram #FA-100-15-PL	1
35	0-600-12010	Element - Fram #CA-100APL or CA-101PL	Ref.
36	0-600-13037	Brake Kit - Warner #13-33-420-001	1
37	0-600-59021	Mount - Lord #CBA-20-300	2
38	0-600-40050	Temperature Sender - Datcon #02022	Ref.
39	0-600-40213	Oil Pressure Sender - SW #279-B	Ref.

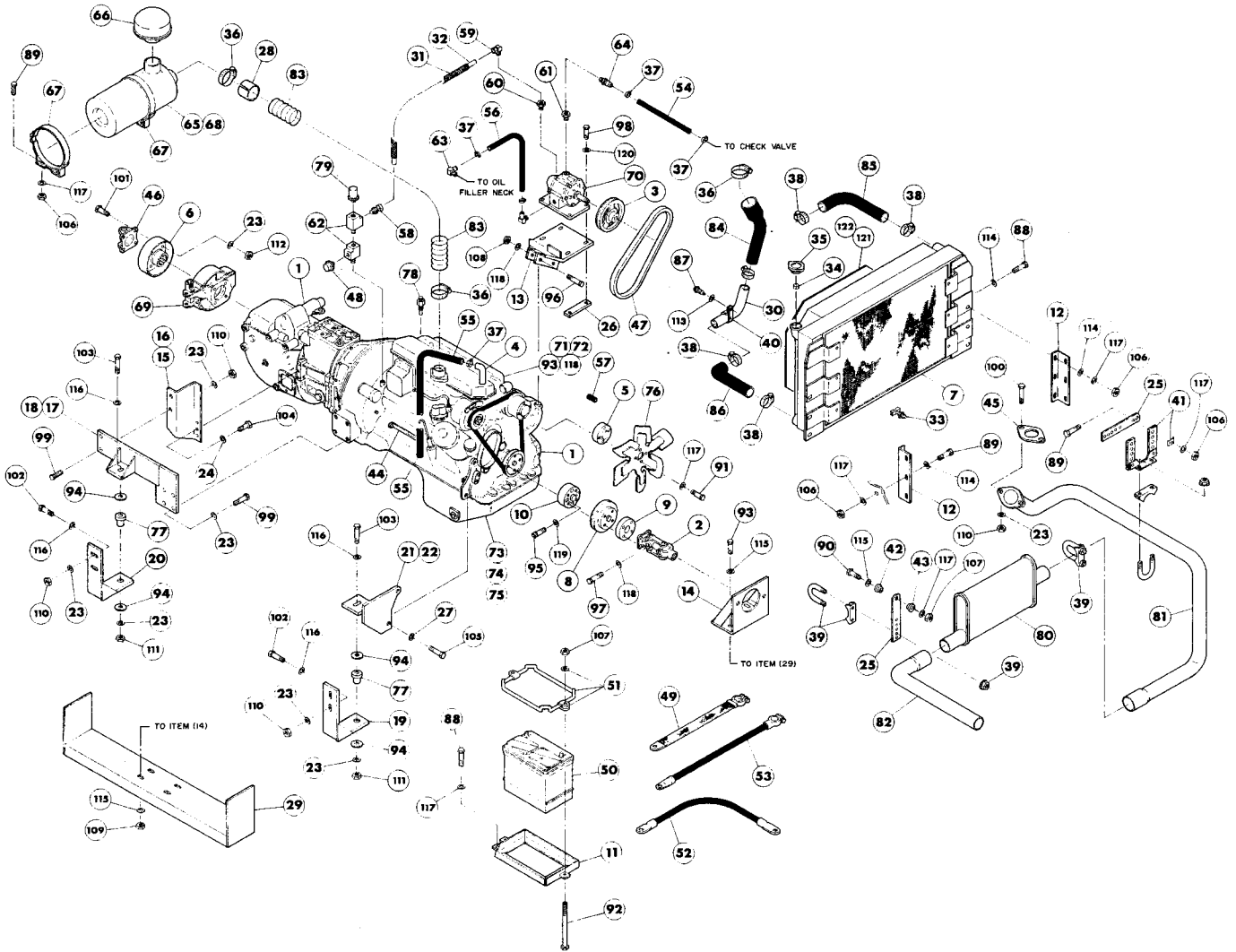
ENGINE AND TRANSMISSION INSTALLATION - GAS

ITEM NO.	PART NO.	DESCRIPTION	QTY.
40	0-600-94060	Muffler	1
41	0-600-94065	Exhaust Pipe	1
42	0-600-94066	Tail Pipe	1
43	0-600-99082	Radiator Hose - Gates #VF-38	1
44	0-600-99087	Radiator Hose - Gates #VF-13	1
45	0-220-01004	Hex Hd. Bolt 5/16-18NC x 3/4" Lg.	7
46	0-220-01005	Hex Hd. Bolt 5/16-18NC x 1" Lg.	6
47	0-220-31001	Soc. Hd. Capscrew 5/16-18NC x 1" Lg.	3
48	0-220-01006	Hex Hd. Bolt 5/16-18NC x 1-1/2" Lg.	6
49	0-220-21001	Hex Hd. Bolt 5/16-18NC x 8-1/2" Lg.	2
50	0-220-02003	Hex Hd. Bolt 3/8-16NC x 3/4" Lg.	4
51	0-220-02002	Hex Hd. Bolt 3/8-16NC x 1-1/4" Lg.	4
52	0-220-02006	Hex Hd. Bolt 3/8-16NC x 1-1/2" Lg.	2
53	0-220-04002	Hex Hd. Bolt 1/2-13NC x 1-1/4" Lg. Gr. 8	12
54	0-220-14013	Hex Hd. Bolt 1/2-20NF x 1-3/4" Lg.	4
55	0-220-04001	Hex Hd. Bolt 1/2-13NC x 2" Lg.	8
56	0-220-04023	Hex Hd. Bolt 1/2-13NC x 3" Lg.	2
57	0-220-05002	Hex Hd. Bolt 9/16-12UNC x 1-1/2" Lg.	6
58	0-221-91001	Hex Lock Nut 5/16-18NC	4
59	0-221-92001	Hex Lock Nut 3/8-16NC	6
60	0-221-04001	Hex Nut 1/2-13NC	12
61	0-221-94002	Hex Lock Nut 1/2-13NC	4
62	0-221-14005	Hex Nut 1/2-20NF Gr. 8	4
63	0-222-01001	Flatwasher 5/16 Dia.	18
64	0-222-11001	Lockwasher 5/16 Dia.	17
65	0-222-11002	Hi-Collar Lockwasher 5/16 Dia.	3
66	0-222-02001	Flatwasher 3/8 Dia.	10
67	0-222-12001	Lockwasher 3/8 Dia.	4
68	0-222-04001	Flatwasher 1/2 Dia.	12
69	0-222-14001	Lockwasher 1/2 Dia.	24
70	0-222-15001	Lockwasher 9/16 Dia.	6
71	0-221-01001	Hex Nut 5/16-18NC	12
72	1-222-04009	Washer	4

ENGINE AND TRANSMISSION ASSEMBLY - DIESEL



ITEM NO.	PART NO.	DESCRIPTION	QTY.
0	4-600-00401	Engine & Transmission Assy - Diesel	Ref.
1	1-600-10063	J.D. Diesel Engine	1
2	4-600-10129	Flywheel Modification	1
3	0-600-10067	Drive Plate Kit-Borg & Beck #F86-D-4	1
4	1-600-10126	Torque Converter-Borg & Beck Md1.#203-10265	1
5	1-600-10124	Powershift Transmission - W.G. #PR1/T18	1
6	0-220-02004	Hex Hd. Bolt 3/8-16NC x 1 Lg.	12
7	0-222-12001	Lockwasher 3/8 Med. Spring	12
8	1-600-10110	Cover Plate	1
9	0-220-00002	Hex Hd. Bolt 1/4-20NC x 1/2 Lg.	2
10	0-222-10001	Lockwasher 1/4 Dia.	2



ENGINE AND TRANSMISSION INSTALLATION - DIESEL

ITEM NO.	PART NO.	DESCRIPTION	QTY.
0	5-600-00491	Engine & Transmission Installation - Diesel Ref.	1
1	4-600-00401	J.D. Engine(Diesel) & Trans. Assy.	1
2	3-333-10040	Drive Shaft Assembly	1
3	2-335-02001	Pulley	1
4	2-600-10072	Valve Cover Modification	1
5	1-600-10112	Fan Spacer	1
6	1-600-13049	Brake Drum Assembly	1
7	5-600-19088	Radiator	1
8	2-600-19100	Pulley Modification	1
9	2-600-19101	Adapter - PTO/Crankshaft	1
10	2-600-19102	Adapter - PTO/Crankshaft	1
11	2-770-00635	Battery Box Weldment	1
12	2-770-00763	Radiator Mounting Bracket	2
13	2-771-00135	Vacuum Pump Mount	1
14	3-771-00165	Pump Mounting Bracket	1
15	2-771-00178	Engine & Transmission Mount- L.H.	1
16	2-771-00179	Engine & Transmission Mount - R.H.	1
17	2-771-00196	Engine & Transmission Mount - L.H.	1
18	2-771-00197	Engine & Transmission Mount - R.H.	1
19	2-771-00200	Front Engine Mount	2
20	2-771-00201	Rear Engine Mount	2
21	3-771-00204	Engine Mount - L.H.	1
22	3-771-00205	Engine Mount - R.H.	1
23	0-222-14001	Lockwasher 1/2 Dia.	30
24	0-222-15001	Lockwasher 9/16 Dia.	6
25	2-783-00131	Muffler Support Bar	2
26	1-783-01219	Support Bar	2
27	0-222-16001	Lockwasher 5/8 Dia.	4
28	1-031-90012	Reducer	1
29	2-771-00195	Pump Mounting Bracket	1
30	0-031-90011	Tube 1-1/2" O.D. x 14 Ga. x 22" Lg.	1
31	0-036-00003	Plastic Tube - Whitaker #683	3.2'
32	0-037-10001	Copper Tubing 3/16 Dia.	3.3'
33	9-110-00019	Drain Cock #1686198	1
34	9-110-00020	Radiator Pellet #2946095	1
35	9-110-00021	Radiator Cap #2516463	Ref.
36	0-201-00013	Hose Clamp - Gates #36	3
37	0-201-00016	Hose Clamp - Gates #10	5
38	0-201-00051	Hose Clamp - Gates #24	5
39	0-201-00096	U-Bolt Clamp Assy. - AP #T200	3

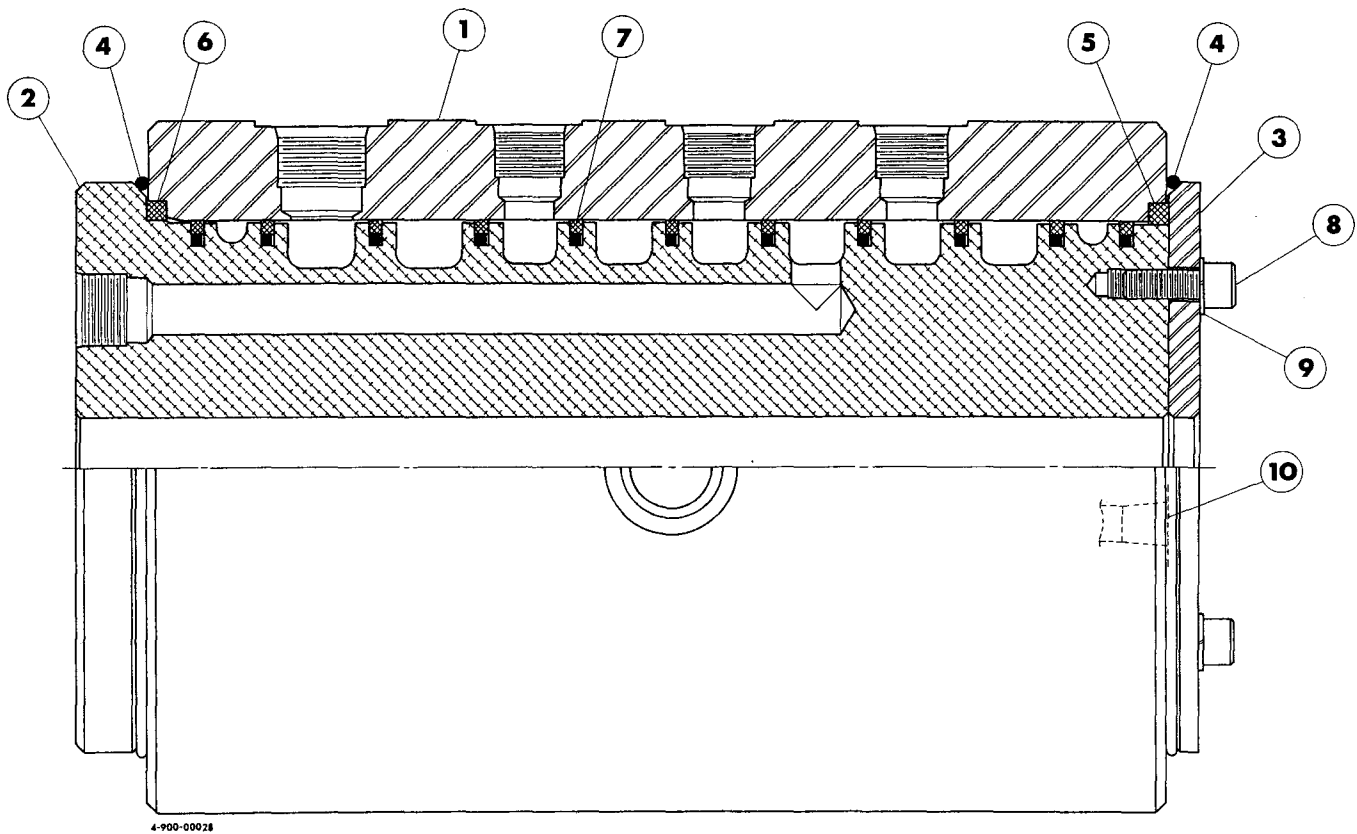
ENGINE AND TRANSMISSION INSTALLATION - DIESEL

ITEM NO.	PART NO.	DESCRIPTION	QTY.
40	0-201-00100	Clamp - Aeroquip #900-729-11	1
41	0-201-00103	Exhaust Support - NAPA #35208	1
42	0-209-00010	Grommet	2
43	0-209-00011	Grommet	1
44	0-209-00063	Ty-Rap Cable Tie #TY525M-7"	1
45	0-263-00012	Gasket - IPC #596	1
46	0-333-30014	Flange Yoke - Spicer #4-2-669	1
47	0-335-06019	Fan Belt - NAPA #25-13753	1
48	0-400-04302	Pressure Switch - SW #M4000-4	Ref.
49	0-400-06002	Ground Strap	1
50	0-400-06020	Battery - Motorcraft #G27F	1
51	0-400-06022	Battery Holddown - NAPA #3-4533	1
52	0-400-06040	Battery Cable	1
53	0-400-06042	Start Cable	1
54	0-503-43004	Hose - Gates #3201-0385	4.0'
55	0-503-44003	Hose - Gates #RLA-1	3.5'
56	0-503-48004	Hose 5/8 ID SAE 30R1 - Type 1	3.0'
57	0-503-48006	Hose 3/16 Dia. x 2" Lg.	.2'
58	0-513-00008	Connector - Weatherhead #68x3	1
59	0-514-09008	Elbow 90° Weatherhead #69x3	1
60	0-570-40001	Hex Bushing 1/4 to 1/8	1
61	0-570-42001	Hex Bushing 1/2 to 3/8	1
62	0-570-50026	Tee 1/8 NPT	2
63	0-570-90025	Elbow 90° 3/8 NPT to 5/8 Hose	2
64	0-570-90030	Adapter Nipple 3/8 NPT to 1/2 Hose	1
65	0-600-12017	Air Cleaner - Donaldson #FWG-065008	1
66	0-600-12018	Breather Cap - Donaldson #6AX001966	1
67	0-600-12019	Mounting Band - Donaldson #P-7191	2
68	0-600-12025	Air Cleaner Element - Donaldson #P101222	Ref.
69	0-600-13037	Brake Kit - Warner #13-33-420-001	1
70	0-600-19062	Vacuum Pump - Bendix #2501-015	1
71	0-600-19064	Exhaust Gasket - JD #T20006	5
72	0-600-19065	Exhaust Manifold Modification	1
73	0-600-19068	Thermostat Gasket - JD #T20215	1
74	0-600-19070	Thermostat Cover - JD #23620	1
75	0-600-19071	Thermostat 180°F - JD #AT22961	1
76	0-600-19063	Fan - JD #AR38790	1
77	0-600-59021	Mount - Lord #CBA 20-300	4
78	0-600-40050	Temperature Sender - Datcon #02022	Ref.
79	0-600-40213	Oil Pressure Sender - SW #279-B	Ref.

ENGINE AND TRANSMISSION INSTALLATION - DIESEL

ITEM NO.	PART NO.	DESCRIPTION	QTY.
80	0-600-94060	Muffler	1
81	0-600-94064	Exhaust Pipe	1
82	0-600-94066	Tail Pipe	1
83	0-600-99065	Hose 2-1/2" ID - Gates #4663-4014-635B	3.0'
84	0-600-99066	Radiator Hose - Gates #452	1
85	0-600-99073	Radiator Hose - Modac #FM-37	1
86	0-600-99081	Radiator Hose - Modac #FM-87	1
87	0-223-15203	Hex Hd. S.T. Scr. 1/4-20NC x 3/4" Lg.	1
88	0-220-01004	Hex Hd. Bolt 5/16-18NC x 3/4" Lg.	7
89	0-220-01005	Hex Hd. Bolt 5/16-18NC x 1" Lg.	12
90	0-220-01006	Hex Hd. Bolt 5/16-18NC x 1-1/2" Lg.	1
91	0-220-01009	Hex Hd. Bolt 5/16-18NC x 2-1/4" Lg.	4
92	0-220-21001	Carriage Bolt 5/16-18NC x 8-1/2" Lg.	2
93	0-220-02002	Hex Hd. Bolt 3/8-16NC x 1-1/4" Lg.	11
94	1-222-04009	Washer	8
95	0-220-32003	Soc. Hd. Bolt 3/8-16NC x 1-1/2" Lg.	4
96	0-220-02014	Hex Hd. Bolt 3/8-16NC x 2-3/4" Lg.	2
97	0-220-02028	Hex Hd. Bolt 3/8-16NC x 3-1/4" Lg.	4
98	0-220-03001	Hex Hd. Bolt 7/16-14NC x 1-1/2" Lg.	4
99	0-220-04002	Hex Hd. Bolt 1/2-13NC x 1-1/4" Lg.	12
100	0-220-04005	Hex Hd. Bolt 1/2-13NC x 1-1/2" Lg.	2
101	0-220-14013	Hex Hd. Bolt 1/2-20NF x 1-3/4" Lg. Gr. 8	4
102	0-220-04001	Hex Hd. Bolt 1/2-13NC x 2" Lg.	8
103	0-220-04023	Hex Hd. Bolt 1/2-13NC x 3" Lg.	4
104	0-220-05002	Hex Hd. Bolt 9/16-12NC x 1-1/2" Lg.	6
105	0-220-06001	Hex Hd. Bolt 5/8-11NC x 1-1/2" Lg.	4
106	0-221-01001	Hex Nut 5/16-18NC	18
107	0-221-91001	Hex Lock Nut 5/16-18NC	3
108	0-221-02001	Hex Nut 3/8-16NC	2
109	0-221-92001	Hex Lock Nut 3/8-16NC	4
110	0-221-04001	Hex Nut 1/2-13NC	14
111	0-221-94002	Hex Lock Nut 1/2-13NC	4
112	0-221-14005	Hex Nut 1/2-20NF Gr. C.	4
113	0-222-00003	Flatwasher 1/4 Dia.	1
114	0-222-01001	Flatwasher 5/16 Dia.	18
115	0-222-02001	Flatwasher 3/8 Dia.	10
116	0-222-04001	Flatwasher 1/2 Dia.	12
117	0-222-11001	Lockwasher 5/16 Dia.	24
118	0-222-12001	Lockwasher 3/8 Dia.	15
119	0-222-12002	Hi-Collar Lockwasher 3/8 Dia.	4
120	0-222-13001	Lockwasher 7/16 Dia.	4
121	3-600-30810	Fan Shroud	1
122	0-226-00001	Pop Rivet 1/8 Dia.	16

CENTER POST PARTS - LORENCE



4-900-00028

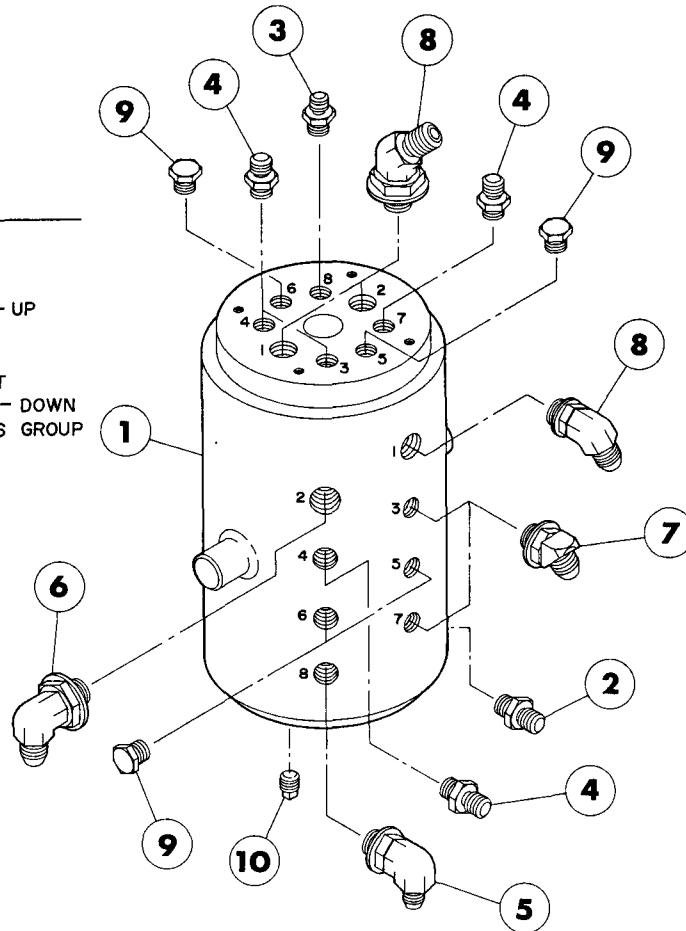
NOTE: SEAL KIT IS P/N 8-268-70029 (ITEM 7) 11 EA. REQD. TOTAL.

ITEM NO.	PART NO.	DESCRIPTION	QTY.
0	4-900-00028	Center Post Parts Lorence #6282-0000	Ref.
1	9-456-00001	Housing - Lorence #6283-0001	1
2	9-456-00002	Spool - Lorence #6283-0002	1
3	9-456-00003	Keeper Plate - Lorence #6283-0003	1
4	0-260-90008	O-Ring Seal - Lorence #0000-3261	2
5	9-456-00004	Wear Ring - Lorence #0000-5068	1
6	9-456-00005	Wear Ring - Lorence #0000-5069	1
7	8-268-70029	Seal Kit - Lorence #0000-9015	11
8	9-456-00006	Soc. Hd. Cap Scr. - Lorence #0000-2006	4
9	0-222-12001	Lockwasher - Lorence #0000-2603	4
10	0-570-20008	Pipe Plug 1/4 NPT	1

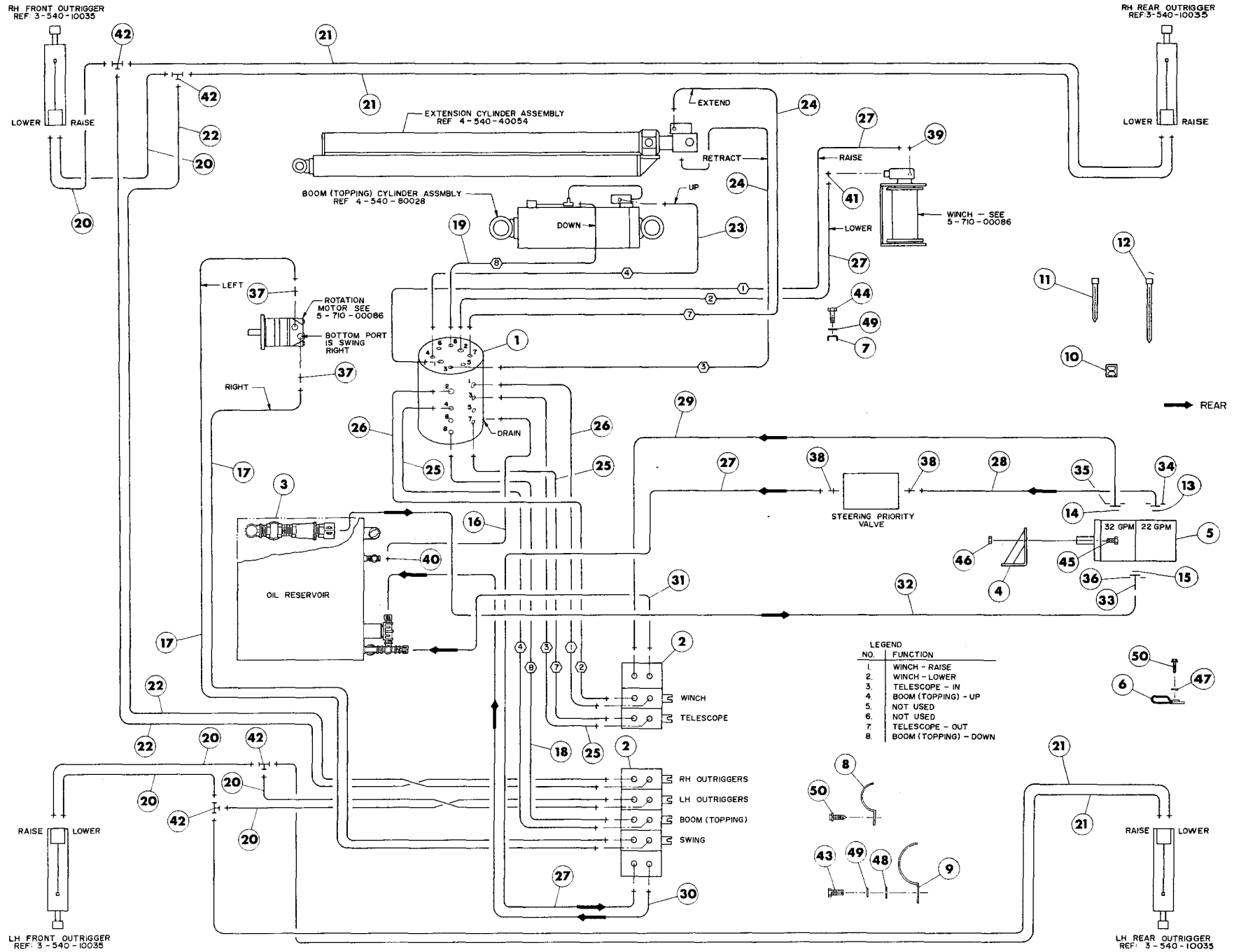
CENTER POST ASSEMBLY - LORENCE

LEGEND	
PORT NO.	FUNCTION
1.	WINCH - RAISE
2.	WINCH - LOWER
3.	TELESCOPE - IN
4.	BOOM (TOPPING) - UP
5.	NOT USED
6.	NOT USED
7.	TELESCOPE - OUT
8.	BOOM (TOPPING) - DOWN

NOTE: SEE HYDRAULIC PARTS GROUP
P/N: 5-500-00206



ITEM NO.	PART NO.	DESCRIPTION	QTY.
0	3-560-00036	Centerpost Assembly	Ref.
1	0-560-00037	Centerpost - Lorence #6282-0000	1
2	0-513-40003	Connector - Parker #6FTX-S	1
3	0-513-50005	Connector - Parker #8-10F50X-S	1
4	0-513-60002	Connector - Parker #10F50X-S	4
5	0-514-55003	Elbow 90° - Parker #8-10C50X-S	1
6	0-514-57001	Elbow 90° - Parker #12C50X-S	1
7	0-515-04006	Elbow 45° - Parker #10V50X-S	2
8	0-515-34000	Elbow 45° - Parker #12V50X-S	3
9	0-517-30002	Plug - Parker #10P50N-S	4
10	0-570-20008	Sq. Hd. Pipe Plug 1/4 NPT	Ref.



LEGEND

NO.	FUNCTION
1	WINCH - RAISE
2	WINCH - LOWER
3	TELESCOPE - IN
4	BOOM (TOPPING) - UP
5	NOT USED
6	NOT USED
7	TELESCOPE - OUT
8	BOOM (TOPPING) - DOWN

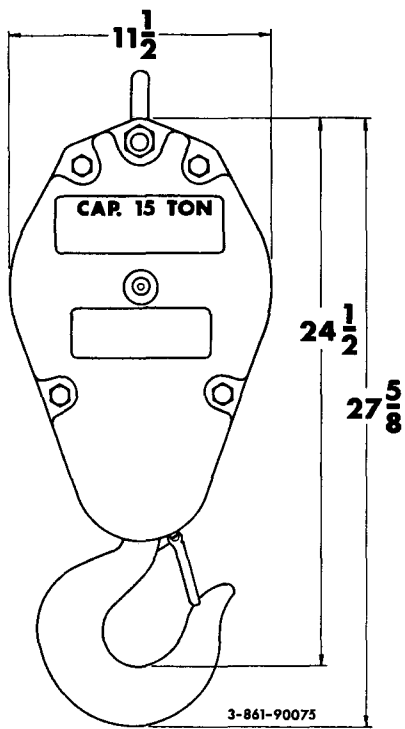
HYDRAULIC PARTS INSTALLATION

ITEM NO.	PART NO.	DESCRIPTION	QTY.
0	5-500-00206	Hydraulic Parts Group IC-180	Ref.
1	3-560-00036	Centerpost Assembly	Ref.
2	4-800-00123	Control Valve Installation	Ref.
3	4-875-00017	Oil Reservoir Parts Group	Ref.
4	3-771-00165	Pump Mounting Bracket	Ref.
5	0-520-00021	Pump - Vickers #2520VQ17A11-11BD20L	1
6	0-201-00040	Hose Clamp - Aeroquip #900729-8	6
7	1-201-00090	Hose Clamp	6
8	0-201-00094	Hose Clamp - Conduit 1"	1
9	0-201-00106	Hose Clamp - Conduit 2-1/2"	1
10	0-209-00062	Ty Rap Mfg. Base #TC5342A	5
11	0-209-00063	Ty Rap Cable Tie #TY525M-7"	13
12	0-209-00093	Ty Rap Cable Tie #TY527M-11"	8
13	0-260-10002	O-Ring #214	1
14	0-260-20003	O-Ring #219	1
15	0-260-50003	O-Ring #232	1
16	1-502-10421	Hose Assembly 1/4 Dia. x 51" Lg.	1
17	1-502-20001	Hose Assembly 3/8 Dia. x 42-3/8" Lg.	2
18	1-502-20014	Hose Assembly 3/8 Dia. x 62" Lg.	1
19	1-502-20027	Hose Assembly 3/8 Dia. x 28" Lg.	1
20	1-502-20348	Hose Assembly 3/8 Dia. x 60" Lg.	6
21	1-502-20349	Hose Assembly 3/8 Dia. x 130" Lg.	4
22	1-502-20351	Hose Assembly 3/8 Dia. x 70" Lg.	2
23	1-502-30128	Hose Assembly 1/2 Dia. x 28" Lg.	1
24	1-502-30129	Hose Assembly 1/2 Dia. x 82" Lg.	2
25	1-502-30133	Hose Assembly 1/2 Dia. x 48" Lg.	3
26	1-502-40272	Hose Assembly 3/4 Dia. x 46" Lg.	2
27	1-502-40282	Hose Assembly 3/4 Dia. x 80" Lg.	3
28	1-502-40265	Hose Assembly 3/4 Dia. x 85" Lg.	1
29	1-502-50044	Hose Assembly 1" Dia x 135" Lg.	1

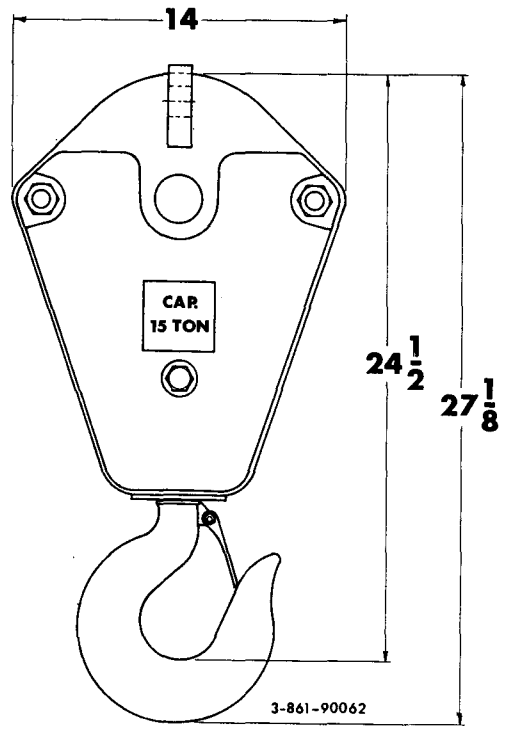
HYDRAULIC PARTS INSTALLATION

ITEM NO.	PART NO.	DESCRIPTION	QTY.
30	0-503-00001	Hose 3/4 ID SAE 100R4 - Anchor #12SW	4.3'
31	0-503-01001	Hose 1" ID SAE 100R4 - Anchor #16SW	4.3'
32	0-503-04001	Hose 2" ID SAE 100R4 - Anchor #32SW	8.8'
33	0-504-03502	Hose Coupling - Anchor #3240-FCL-90	1
34	0-505-01001	Split Flange Assy - Parker #12-5151	1
35	0-505-02001	Split Flange Assy - Parker #16-5151	1
36	0-505-06001	Split Flange Assembly #40	1
37	0-513-50005	Connector - Parker #8-10F50X-S	2
38	0-513-70002	Connector - Parker #12F50X-S	2
39	0-513-70005	Connector - Parker #12-16F50X-S	1
40	0-514-04002	Elbow 90° Parker #6CTX-S	Ref.
41	0-514-59005	Elbow 90° Tompkins #6801-12-16-NW0	1
42	0-516-44001	Tee - Parker #6JTX-S	4
43	0-220-01005	Hex Hd. Bolt 5/16-18NC x 1" Lg.	1
44	0-220-01006	Hex Hd. Bolt 5/16-18NC x 1-1/2" Lg.	6
45	0-220-04005	Hex Hd. Bolt 1/2-13NC x 1-1/2" Lg.	2
46	0-221-94002	Hex Lock Nut 1/2-13NC	2
47	0-222-00003	Flatwasher 1/4 Dia.	6
48	0-222-01001	Flatwasher 5/16 Dia.	1
49	0-222-11001	Lockwasher 5/16 Dia.	7
50	0-223-15201	Hex Hd. S.T. WF Scr. 1/4-20NC x 1" Lg.	7

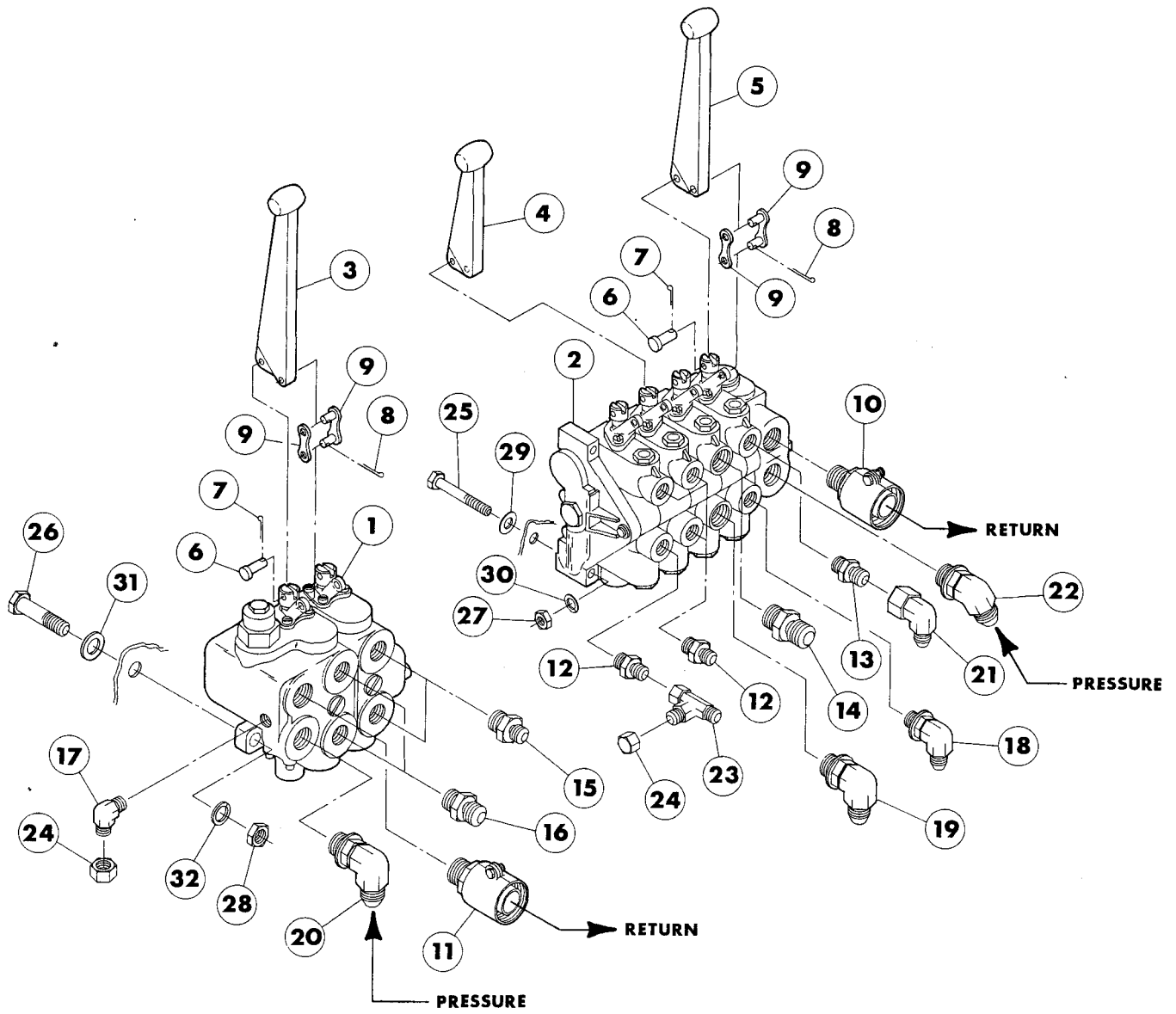
SHEAVE BLOCKS



SB-5 WT. 155
TWO PART LINE

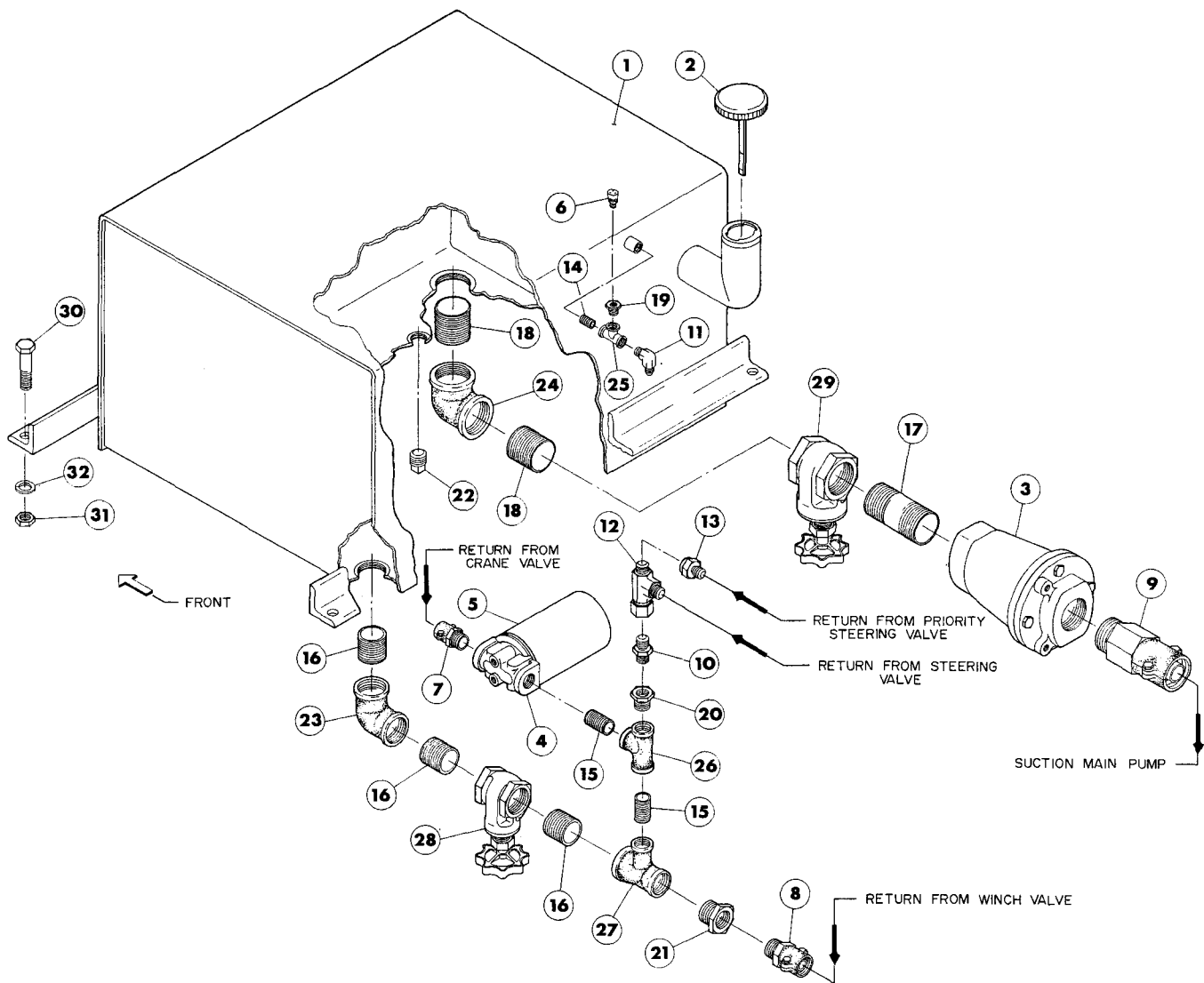


SB-3 WT. 210
FOUR PART LINE



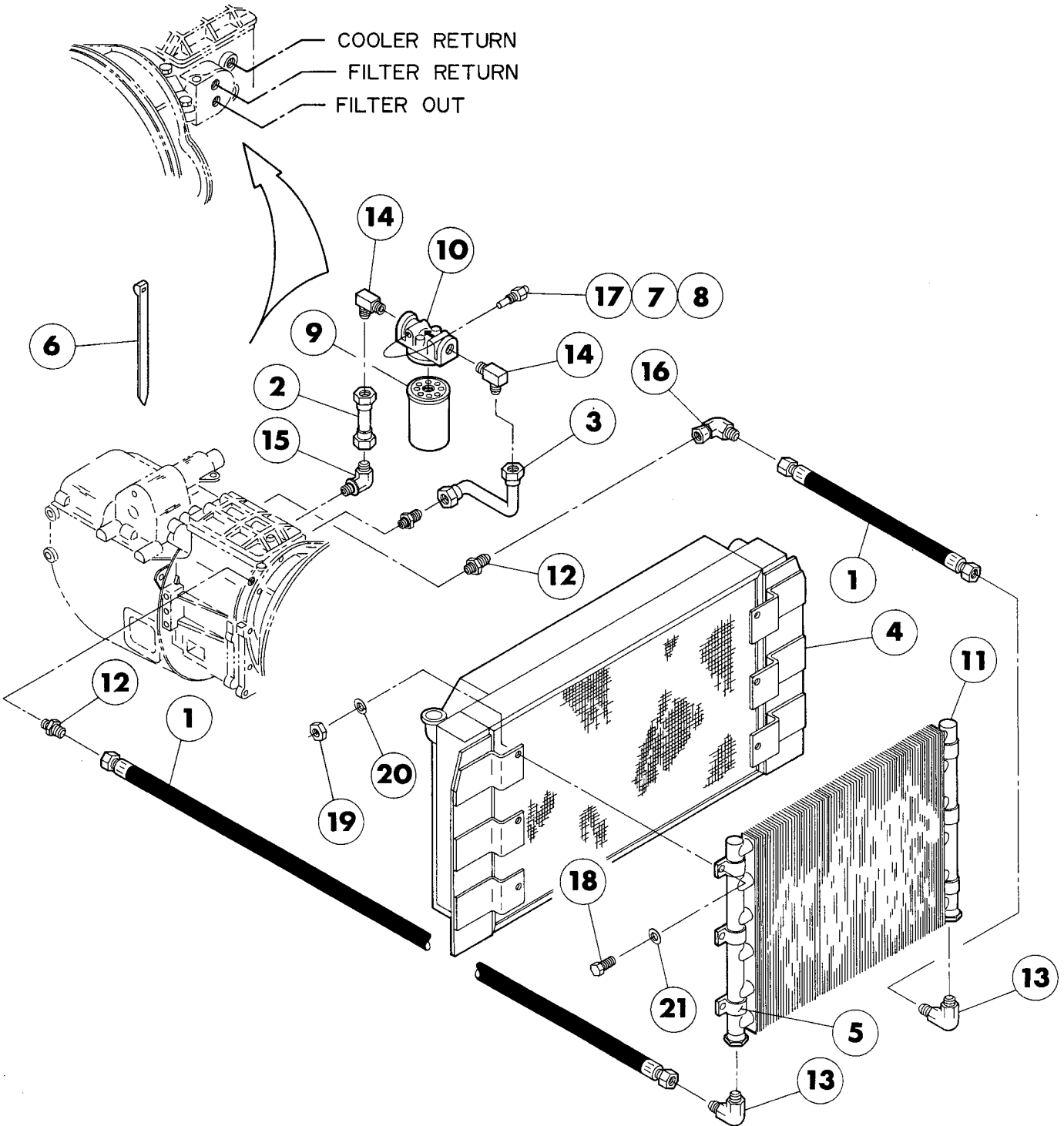
CONTROL VALVE INSTALLATION

ITEM NO.	PART NO.	DESCRIPTION	QTY.
0	4-800-00123	Control Valve Installation	Ref.
1	0-550-00075	Valve - Gresen #P-4822-A	1
2	0-550-00080	Valve (4) Spool - Gresen #V20-1826-A	1
3	3-803-00071	Control Handle	2
4	2-803-00072	Control Handle	2
5	2-803-00073	Control Handle	2
6	9-340-00001	Handle Pin - Gresen #553	Ref.
7	9-340-00002	Cotter Pin - Gresen #086	Ref.
8	9-340-00003	Cotter Pin - Gresen #929	Ref.
9	9-340-00004	Handle Link - Gresen #928	Ref.
10	0-504-00401	Hose Coupling - Anchor #12MCL	1
11	0-504-00501	Hose Coupling - Anchor #16MCL	1
12	0-513-40004	Connector - Parker #6-8F50X-S	4
13	0-513-50003	Connector - Parker #8F50X-S	1
14	0-513-60002	Connector - Parker #10F50X-S	1
15	0-513-60004	Connector - Parker #10-12F50X-S	2
16	0-513-70002	Connector - Parker #12F50X-S	2
17	0-514-04002	Elbow 90° - Parker #6CTX-S	1
18	0-514-55001	Elbow 90° - Parker #8C50X-S	1
19	0-514-55003	Elbow 90° - Parker #8-10C50X-S	1
20	0-514-59001	Elbow 90° - Parker #16C50X-S	1
21	0-514-65001	Elbow 90° - Parker #8C6X-S	1
22	0-575-34000	Elbow 45° - Parker #12V50X-S	1
23	0-516-85003	Tee - Parker #6R6X-S	1
24	0-519-40001	Cap - Parker #6FNTX-S	2
25	0-220-01008	Hex Hd. Bolt 5/16-18NC x 3" Lg.	3
26	0-220-04008	Hex Hd. Bolt 1/2-13NC x 2-1/2" Lg.	3
27	0-221-01001	Hex Nut 5/16-18NC	3
28	0-221-04001	Hex Nut 1/2-13NC	3
29	0-222-01001	Flatwasher 5/16 Dia.	3
30	0-222-11001	Lockwasher 5/16 Dia.	3
31	0-222-04001	Flatwasher 1/2 Dia.	3
32	0-222-14001	Lockwasher 1/2 Dia.	3



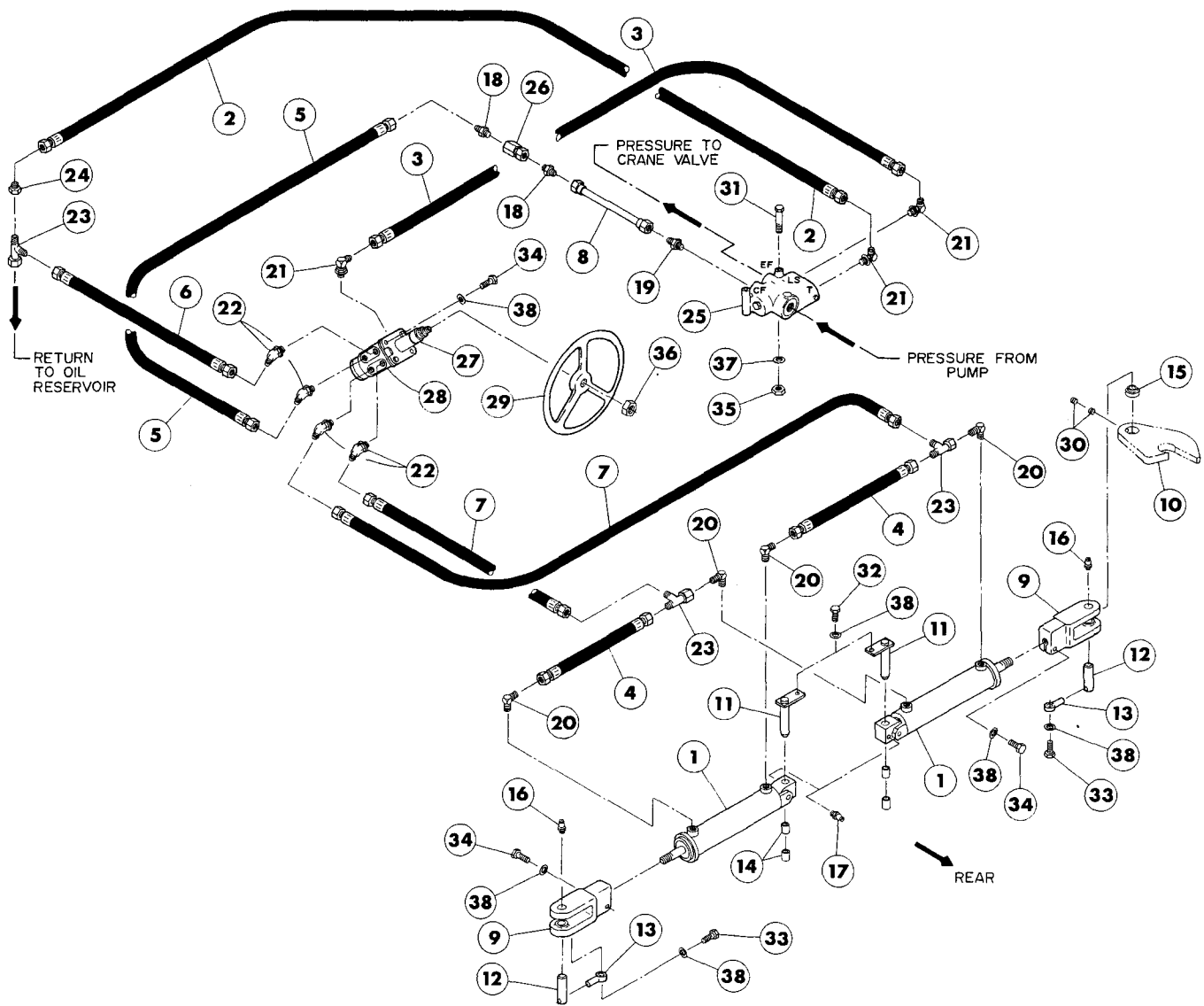
OIL RESERVOIR PARTS GROUP

ITEM NO.	PART NO.	DESCRIPTION	QTY.
0	4-875-00017	Oil Reservoir Parts Group	Ref.
1	4-875-10075	Oil REServoir	1
2	1-875-90057	Modified Cap - Non-locking	1
3	0-501-01010	Strainer - Marvel #881	1
4	0-501-01018	Filter - Gresen #F101-100E	1
5	0-501-01019	Filter Element - Gresen #K22001	Ref.
6	0-501-03011	Air Vent - Alemite #301370 1/8 NPT	1
7	0-504-00401	Hose End - Anchor #12MCL	1
8	0-504-00501	Hose End - Anchor #16MCL	1
9	0-504-00801	Hose End - Anchor #32MCL	1
10	0-513-50002	Connector - Parker #8-8FTX-S	1
11	0-514-04002	Elbow 90° - Parker #6CTX-S	1
12	0-516-85001	Tee - Parker #8R6X-S	1
13	0-519-40005	Tube Reducer - Tompkins #2406-8-6	1
14	0-570-01007	Close Nipple 1/4 NPT	1
15	0-570-04001	Close Nipple 3/4 NPT	2
16	0-570-07002	Close Nipple 1-1/2 NPT	3
17	0-570-08001	Nipple 2" NPT x 4" Lg.	1
18	0-570-08003	Close Nipple 2" NPT	2
19	0-570-40001	Hex Bushing 1/4 x 1/8 NPT	1
20	0-570-43002	Hex Bushing 3/4 x 1/2 NPT	1
21	0-570-45001	Hex Bushing 1-1/4 x 1" NPT	1
22	0-570-20002	Magnetic Plug 3/4 NPT	1
23	0-570-37001	Elbow 90° 1-1/2 NPT	1
24	0-570-38001	Elbow 90° 2" NPT	1
25	0-570-50021	Tee 1/4 NPT	1
26	0-570-50002	Tee 3/4 NPT	1
27	0-570-50004	Reducing Tee 1-1/2 x 1-1/4 x 3/4 NPT	1
28	0-570-90002	Gate Valve 1-1/2" NPT	1
29	0-570-90001	Gate Valve 2" NPT	1
30	0-220-04005	Hex Hd. Bolt 1/2-13NC x 1-1/2" Lg.	4
31	0-221-04001	Hex Nut 1/2-13NC	4
32	0-222-14001	Lockwasher 1/2 Dia.	4



OIL COOLER INSTALLATION

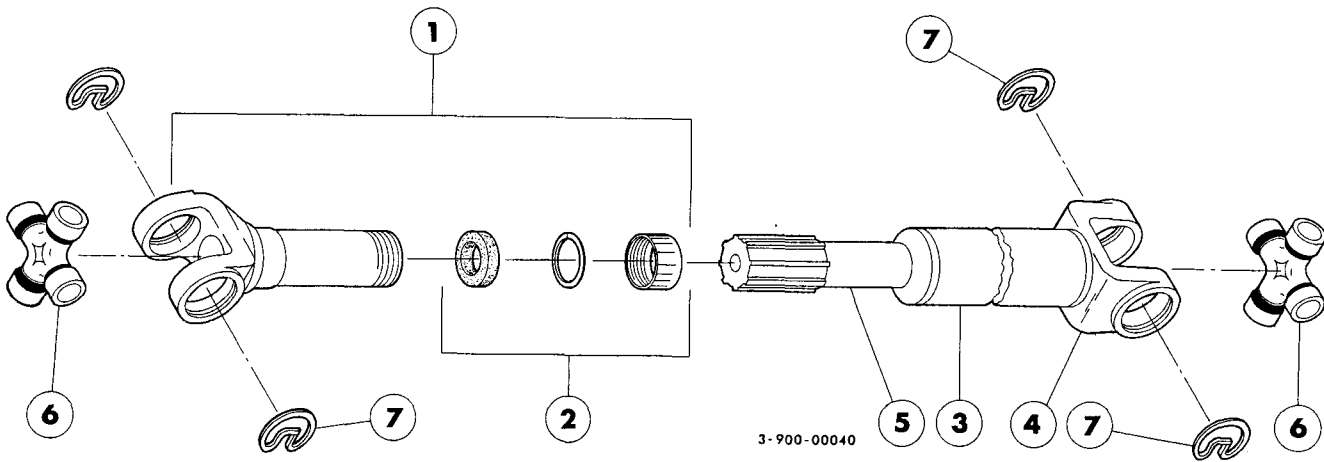
ITEM NO.	PART NO.	DESCRIPTION	QTY.
0	4-600-10134	Oil Cooler Installation	Ref.
1	1-502-40304	Hose Assembly 3/4 Dia. x 63" Lg.	2
2	1-510-60031	Tube Assembly 5/8 Dia. x 3" Lg.	1
3	1-510-60032	Tube Assembly 5/8 Dia. x 10" Lg.	1
4	5-600-19088	Radiator	Ref.
5	0-201-00101	Clamp - Aeroquip #900-729-27	6
6	0-209-00093	Ty-Rap Cable Tie #TY527M-11"	4
7	0-400-02203	Terminal Butt Connector (Not shown)	1
8	0-400-02213	Terminal Eye (Not shown)	1
9	0-501-01019	Filter Element - Gresen #K22001	1
10	0-501-01020	Oil Filter - Gresen #101-100E, w/element	1
11	0-501-07010	Oil Cooler - Hayden #10924S1	1
12	0-513-60003	Connector - Parker #10-8F50X-S	3
13	0-514-07001	Elbow 90° - Parker #12CTX-S	2
14	0-514-56003	Elbow 90° - Parker #10-12CTX-S	2
15	0-514-56004	Elbow 90° - Parker #10-8C50X-S	1
16	0-514-66001	Swivel Elbow 90° - Parker #10C6X-S	1
17	0-600-40050	Oil Temp. Sender - Datcon #02022	1
18	0-220-00003	Hex Hd. Bolt 1/4-20NC x 3/4" Lg.	6
19	0-221-00001	Hex Nut 1/4-20NC	6
20	0-222-10001	Lockwasher 1/4 Dia.	6
21	0-222-00003	Flatwasher 1/4 Dia.	6



STEERING INSTALLATION

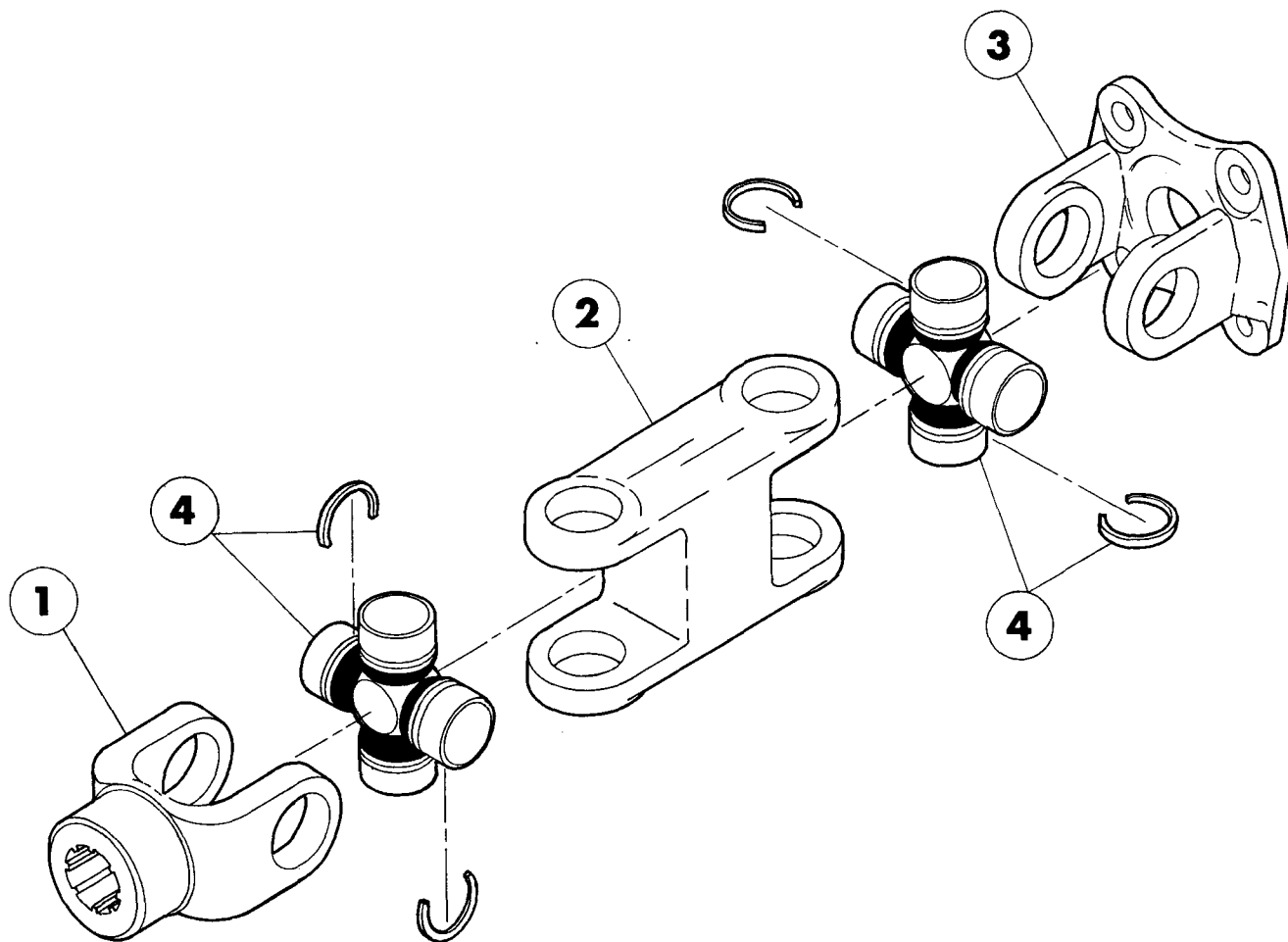
ITEM NO.	PART NO.	DESCRIPTION	QTY.
0	4-600-70038	Steering System Installation	Ref.
1	0-540-20025	Steering Cylinder - Gould #7906-017	2
2	1-502-10410	Hose Assembly 1/4 Dia. x 43" Lg.	1
3	0-502-10438	Hose Assembly 1/4 Dia. x 70" Lg.	1
4	1-502-20328	Hose Assembly 3/8 Dia. x 20" Lg.	2
5	1-502-20343	Hose Assembly 3/8 Dia. x 78" Lg.	1
6	1-502-20319	Hose Assembly 3/8 Dia. x 84" Lg.	1
7	1-502-20326	Hose Assembly 3/8 Dia. x 110" Lg.	2
8	1-510-50166	Tube Assembly 1/2 Dia. x 11" Lg.	1
9	3-549-00038	Steering Cylinder End	2
10	4-600-61080	Steering Axle Modification	Ref.
11	1-870-10081	Pin - Steering Cylinder	2
12	1-870-20102	Pin - Steering Cylinder	2
13	1-224-23003	Rod End	2
14	1-271-11012	Bushing Modification	4
15	0-275-30002	Bearing - Torr. #10SF16-TT	2
16	0-501-03002	Grease Fitting - Alemite #1610-BL	2
17	0-501-03003	Grease Fitting - Lincoln #5014	2
18	0-513-50002	Connector - Parker #8-8FTX-S	2
19	0-513-50003	Connector - Parker #8F50X-S	1
20	0-514-05001	Elbow 90° - Parker #8CTX-S	4
21	0-514-57010	Elbow 90° - Tompkins #6801-6-4	3
22	0-515-04008	Elbow 45° - Parker #8V50X-S	4
23	0-516-85001	Tee - Parker #8R6X-S	2
24	0-519-40005	Tube Reducer - Tompkins #2406-8-6	Ref.
25	0-551-10024	Priority Valve - Charlynn #606-1095	1
26	0-552-00025	Check Valve - Snap Tite #CPIFF-4P-05A	1
27	0-559-00032	Steering Column - Charlynn #204-1002-003	1
28	0-559-00033	Steering Valve - Charlynn #213-1007	1
29	0-600-40001	Steering Wheel - Sheller #1104	1
30	0-225-00005	Setscrew 1/4-20NC x 5/16" Lg.	4
31	0-220-01011	Hex Hd. Bolt 5/16-18NC x 3-1/2" Lg.	2
32	0-220-02003	Hex Hd. Bolt 3/8-16NC x 3/4" Lg.	2
33	0-220-02004	Hex Hd. Bolt 3/8-16NC x 1" Lg.	2
34	0-220-02006	Hex Hd. Bolt 3/8-16NC x 1-1/2" Lg.	4
35	0-221-01001	Hex Nut 5/16-18NC	2
36	0-221-80001	Hex Jam Nut 13/16-20NF	1
37	0-222-11001	Lockwasher 5/16 Dia.	2
38	0-222-12001	Lockwasher 3/8 Dia.	8

DRIVE LINE PARTS

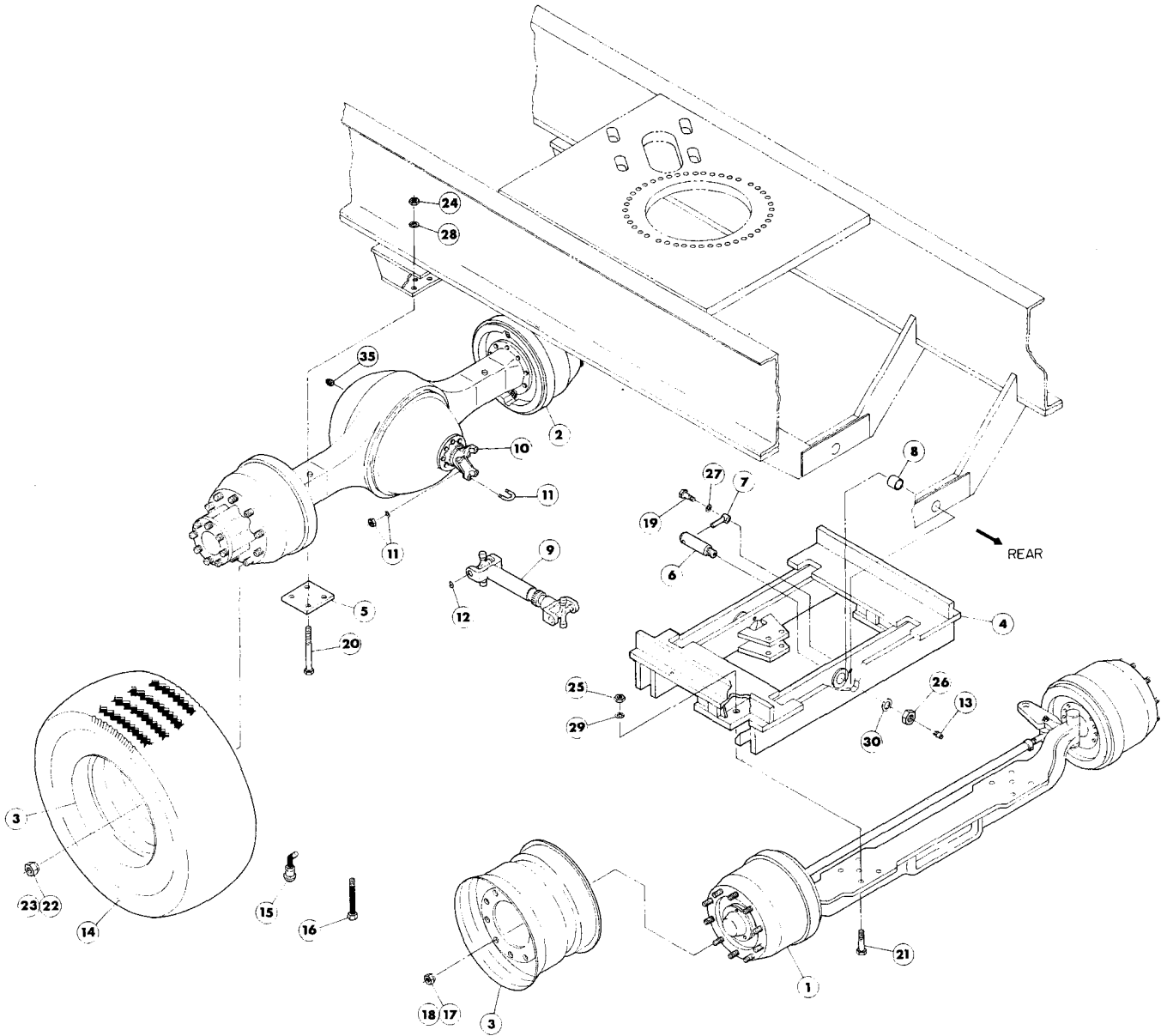


ITEM NO.	PART NO.	DESCRIPTION	QTY.
0	3-900-00040	Drive Line Parts	Ref.
1	0-333-50020	Sleeve Yoke - Spicer #4-3-1241KX	1
2	0-333-80011	Dust Cap Kit - Spicer #D4J	Ref.
3	0-333-20032	Tube - Spicer #28-30-22-0729	1
4	0-333-20028	Tube Yoke - Spicer #4-28-307	1
5	0-333-20029	Tube Shaft - Spicer #4-40-461	1
6	0-333-70004	U-Joint Kit - Spicer #5-155X	2
7	0-333-90015	Snap Ring - Spicer #3-7-109	4

PUMP DRIVE SHAFT



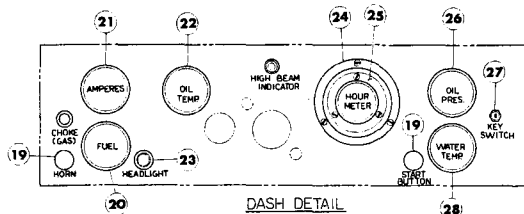
ITEM NO.	PART NO.	DESCRIPTION	QTY.
0	3-333-10040	Pump Drive Shaft	Ref.
1	0-333-20019	End Yoke - Spicer #2-4-3331	1
2	0-333-90013	Center Yoke - Spicer #2-26-177	1
3	0-333-30012	Flange Yoke - Spicer #2-2-329	1
4	0-333-90014	U-Joint-Spicer #5-200X	2



AXLE AND WHEEL INSTALLATION

ITEM NO.	PART NO.	DESCRIPTION	QTY.
0	5-600-61216	Axle & Wheel Installation	Ref.
1	4-600-61080	Steering Axle Modification	1
2	1-600-61090	Drive Axle - IHC #TAU-2396 (Mod)	1
3	4-600-63084	Wheel	4
4	4-600-51171	Oscillating Arm Weldment	1
5	1-783-01539	Axle Mount Pad	2
6	2-870-40048	Pin - Oscillating Arm	2
7	0-224-25002	Rod End	2
8	0-271-50009	Bushing Sleeve 1-3/4OD x 1-1/2ID x 1-1/2 Lg.	Ref.
9	1-333-10048	Drive Shaft - Spicer #207728-0729	1
10	0-333-20036	End Yoke - Spicer #4-4-4241	1
11	0-333-60002	U-Bolt Assy - Spicer #3-94-28X	2
12	0-333-90015	Snap Ring - Spicer #3-7-109	Ref.
13	0-501-03002	Grease Fitting - Alemite #1610-BL	2
14	0-600-62040	Tire - Goodyear Custom-Hi-Miler 16 ply 15 x 22.5 SS	4
15	0-600-69018	Bend Valve #TR572 w/29E	4
16	0-600-69019	Valve Extension - Dill #347	2
17	9-778-00298	Wheel Lug L.H. - Rockwell #1199-N-118	Ref.
18	9-778-00297	Wheel Lug R.H. - Rockwell #1199-M-117	Ref.
19	0-220-04002	Hex Hd. Bolt 1/2-13NC x 1-1/4" Lg.	2
20	0-220-07020	Hex Hd. Bolt 3/4-10NC x 8" Lg.	8
21	0-220-08003	Hex Hd. Bolt 7/8-9NC x 3-1/2" Lg.	8
22	0-221-17002	Wheel Lug Nut - L.H. #B37889	10
23	0-221-17001	Wheel Lug Nut - R.H. #B37888	10
24	0-221-97002	Hex Lock Nut 3/4-10NC Gr. C	8
25	0-221-08001	Hex Nut 7/8-9NC	8
26	0-221-99002	Hex Lock Nut 1"-8NC	2
27	0-222-14001	Lockwasher 1/2 Dia.	2
28	0-222-17001	Lockwasher 3/4 Dia.	8
29	0-222-18001	Lockwasher 7/8 Dia.	8
30	0-222-09003	Flatwasher 1" Dia.	2
*31	1-729-00586	Cover Plate	1
*32	9-822-00266	Oil Scoop	1
*33	0-223-14101	S.T. Pan Hd. Scr. #6 x 3/8" Lg.	3
*34	0-570-60001	Weld Pipe Flange 3/4 NPT	1
35	0-570-20015	Sq. Hd. Pipe Plug 3/4 NPT	1

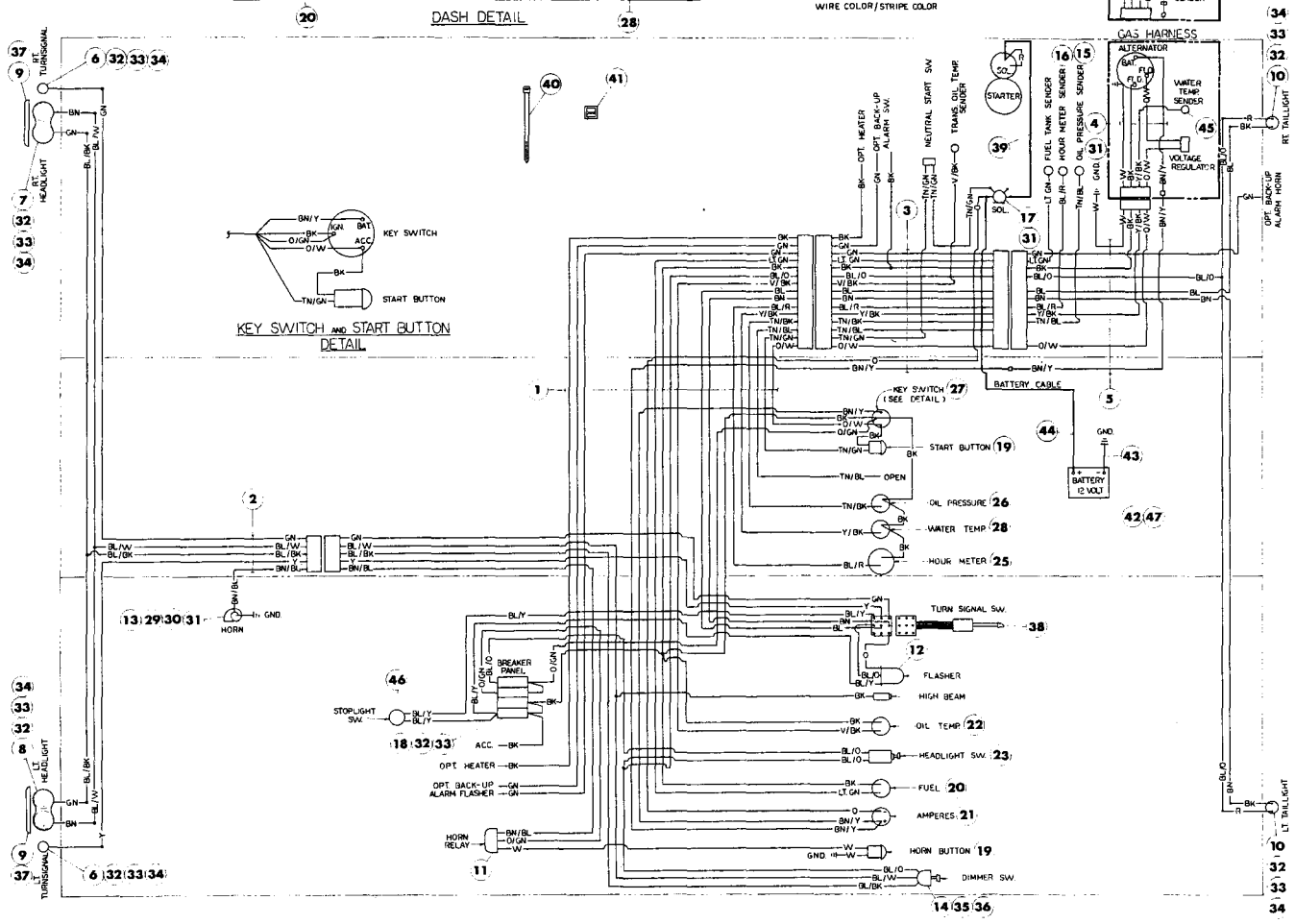
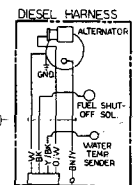
*Not Shown



LEGEND

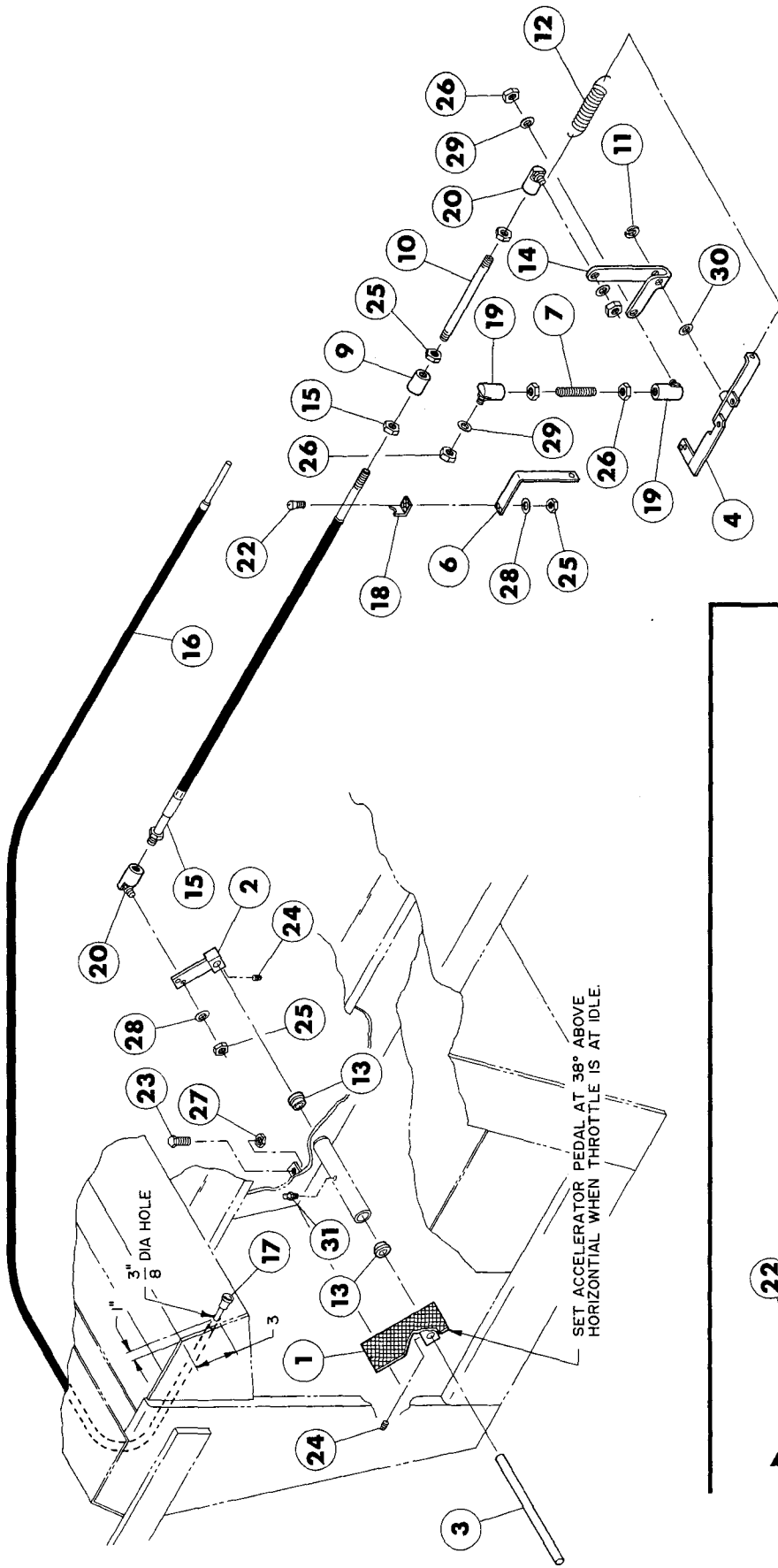
R	RED
W	WHITE
O	ORANGE
Y	YELLOW
V	VIOLET
BK	BLACK
BL	BLUE
BN	BROWN
GN	GREEN
TN	TAN
LT.GN	LT.GREEN

WIRE COLOR/STRIPE COLOR

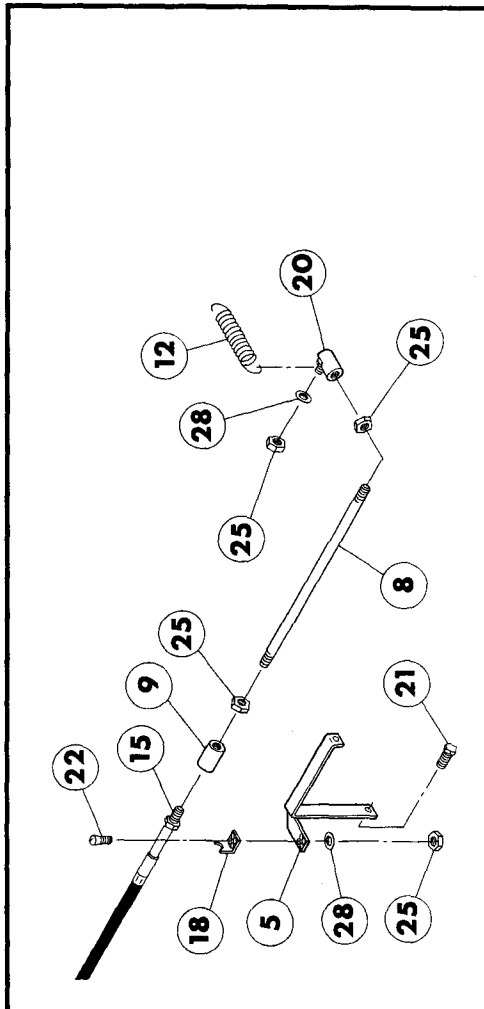


WIRING DIAGRAM

ITEM NO.	PART NO.	DESCRIPTION	QTY.
0	5-400-00133	Wiring Diagram	Ref.
1	5-400-01100	Dash Wiring Harness	1
2	3-400-01099	Front Wiring Harness	1
3	4-400-01098	Chassis Wiring Harness	1
4	2-400-01327	Eng. Harness - Diesel	1
	2-400-01326	Eng. Harness - Gas	1
5	4-400-01331	Rear Chassis Harness	1
6	0-400-08002	Turn Signal Light - KD #756F-12	2
7	0-400-07006	Dual Lamp Assy - R.H. - GMC #5950-198	1
8	0-400-07005	Dual Lamp Assy - L.H. - GMC #5950-197	1
9	0-400-07004	Headlight Door - GMC #5950-199	2
10	0-400-09001	Stop & Tail Light - Peterson #M424	2
11	0-600-40043	Horn Relay - Delco #V1738	1
12	0-400-04902	Heavy Duty Flasher - KD #2573	1
13	0-600-40040	Horn - Delco #9000513	1
14	0-400-04907	Dimmer Switch - Cole-Hersee #7771	1
15	0-600-40213	Oil Pressure Sender - Datcon #02505	1
16	0-400-04302	Switch - Hobbs #M4000-4	1
17	0-400-04944	Solenoid - Ford #B6AZ-11450A	1
18	0-222-00005	Flatwasher #10 Dia.	2
19	0-400-04202	Switch - Cole-Hersee #92045	2
20	0-600-40011	Fuel Gauge - Datcon #810	1
21	0-600-40012	Amp. Gauge - Datcon #866	1
22	0-600-40195	Oil Temp. Gauge - Datcon #828	1
23	0-400-04102	Switch (2) Term. Push-Pull - Pet. #155	1
24	0-600-40017	Vibration Damper - Hobbs #M-3888	1
25	0-600-40016	Hourmeter - Hobbs #M-3600-26V-12V	1
26	0-600-40212	Oil Pressure Gauge - Datcon #882	1
27	0-400-04947	Ign. Switch - Gen. Automotive #1207	1
28	0-600-40049	Water Temp. Gauge - Datcon #826	1
29	0-600-40041	Horn Nut - Delco Remy #1965698	1
30	0-600-40042	Bracket Horn - Delco Remy #1958666	1
31	0-223-15203	Hex Hd. Wash. Face Self.Tap Scr. 1/4-20NCx3/4	6
32	0-223-01101	Rd. Hd. Mach. Scr. #10-32 x 3/4 Lg.	28
33	0-222-10002	Lockwasher #10 Dia.	30
34	0-221-10002	Nut #10-32NF	26
35	0-220-00002	Hex Hd. Bolt 1/4-20NC x 1/2 Lg.	2
36	0-222-10001	Lockwasher 1/4 Dia.	2
37	0-223-03102	Pan Hd. Mach. Scr. #8-32 x 3/4 Lg.	8
38	0-400-04946	Turn Signal Switch - Dietz #D16-12401	1
39	1-400-06040	Battery Cable 44" Lg.	1
40	0-209-00063	Cable Tie = Ty-Rap #TY525M-7" Lg.	38
41	0-209-00062	Mtg. Base - Ty-Rap #TC5332A	30
42	0-400-06005	Battery - Delco #R-50-1980-209 - Gas	Ref.
43	0-400-06002	Ground Strap - Whitaker #4538	Ref.
44	0-400-06047	Positive Cable	Ref.
45	0-600-40050	Water Temperature Sender	1
46	0-400-04903	Switch - EIS #K-791	Ref.
47	0-400-06020	Battery - Allied Type A-27F57 - Diesel	Ref.



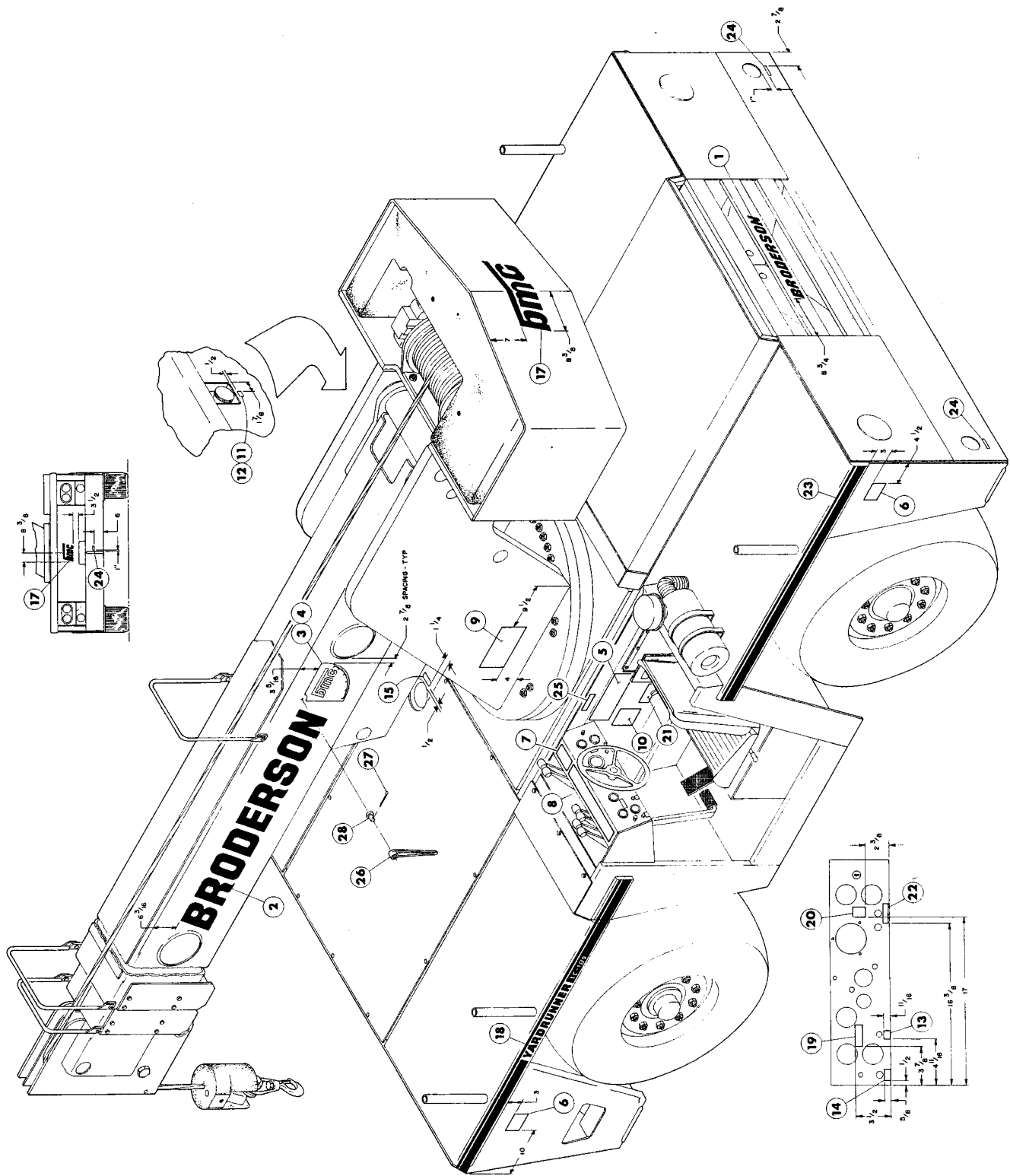
GAS ENGINE ONLY



DIESEL ENGINE ONLY

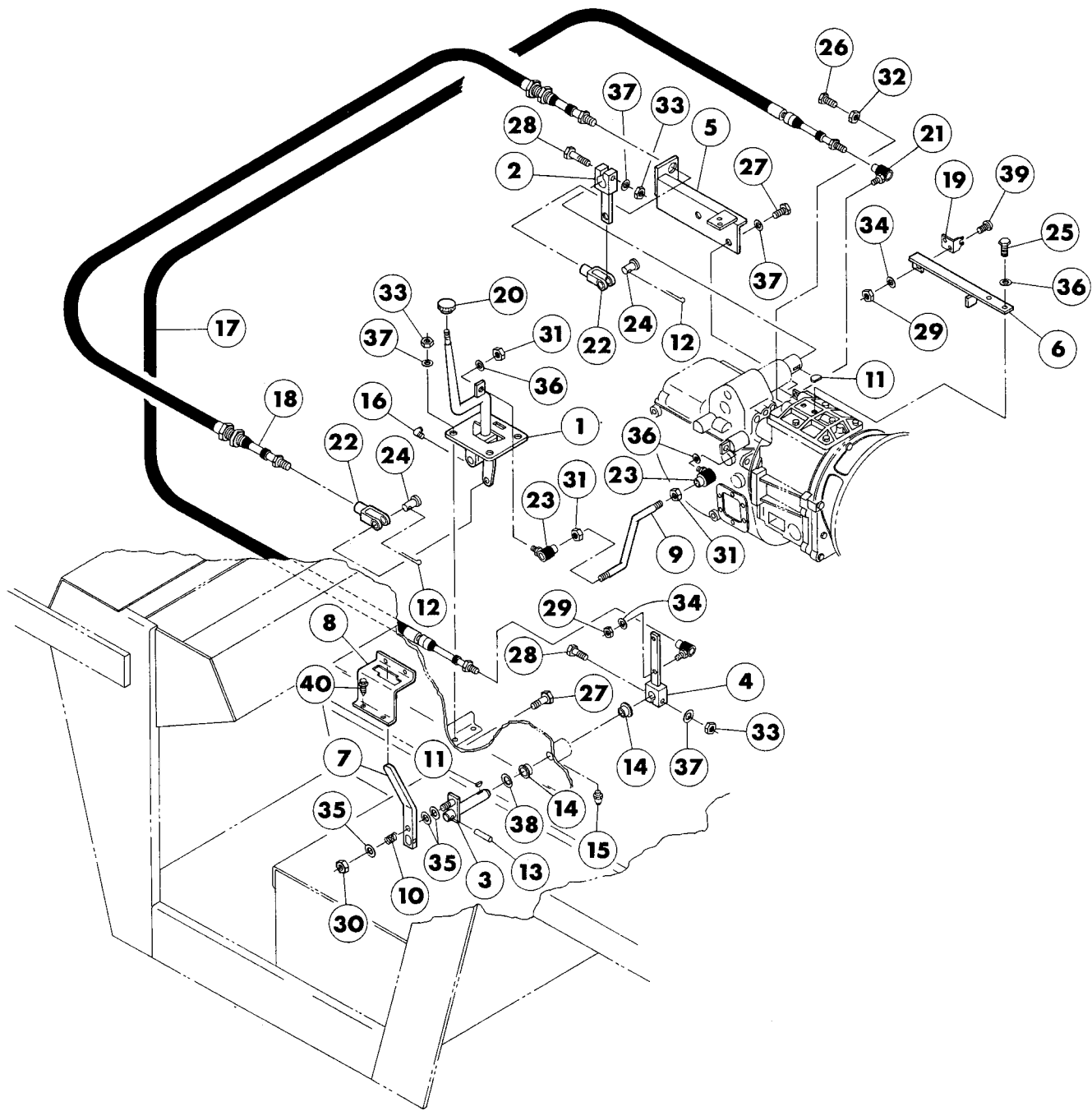
ACCELERATOR AND CHOKE GROUP

ITEM NO.	PART NO.	DESCRIPTION	QTY.
0	4-600-00492	Accelerator & Choke Group IC-180	Ref.
1	2-600-13018	Accelerator Pedal	1
2	1-600-13024	Throttle Arm	1
3	1-600-13047	Accelerator Rod	1
4	2-770-00102	Accelerator Bracket - Gas	1
5	2-770-00682	Accelerator Bracket - Diesel	1
6	1-783-01626	Support Bar - Gas	1
7	1-804-00031	Control Rod - Gas	1
8	1-804-00407	Accelerator Rod - Diesel	1
9	1-804-00408	Coupling	1
10	1-804-00431	Accelerator Rod - Gas	1
11	0-200-00001	Snap Ring - Truac #5555-37 - Gas	1
12	0-202-10002	Spring - Chrysler #1139393	1
13	0-271-21002	Bushing - Oilite #FF-843	2
14	0-600-40008	Bell Crank - Chrysler #1936052 - Gas	1
15	0-600-40031	Cable - Morse #33C x 5 ft. Lg.	1
16	0-600-40205	Cable - Cablecraft #76U073-110" w/knob - Gas	1
17	0-600-40220	Shut Off Knob - Cablecraft #309	Ref.
18	0-770-00090	Bracket - Morse #A-36174	1
19	0-809-00032	Ball Joint - Tourek #R-107 - Gas	2
20	0-809-00043	Ball Joint - Tourek #F-103F	2
21	0-220-50001	Hex Hd. Bolt 6 x 45MM - Diesel	1
22	0-223-01101	Rd. Hd. Bolt #10-32NF x 3/4" Lg.	2
23	0-220-00004	Hex Hd. Bolt 1/4-20NC x 1-1/4" Lg.	1
24	0-225-20001	Sq. Hd. Setscrew 3/8-16NC x 3/4" Lg.	2
25	0-221-10002	Hex Nut #10-32NF	6
26	0-221-10006	Jam Nut 1/4-28NF - Gas	4
27	0-221-90001	Hex Lock Nut 1/4-20NC	1
28	0-222-10002	Lockwasher #10 Dia.	4
29	0-222-10001	Lockwasher 1/4 Dia. - Gas	2
30	0-222-03001	Flatwasher 7/16 Dia. - Gas	1
31	0-501-03001	Grease Zerk 1/4-28NF Straight	1



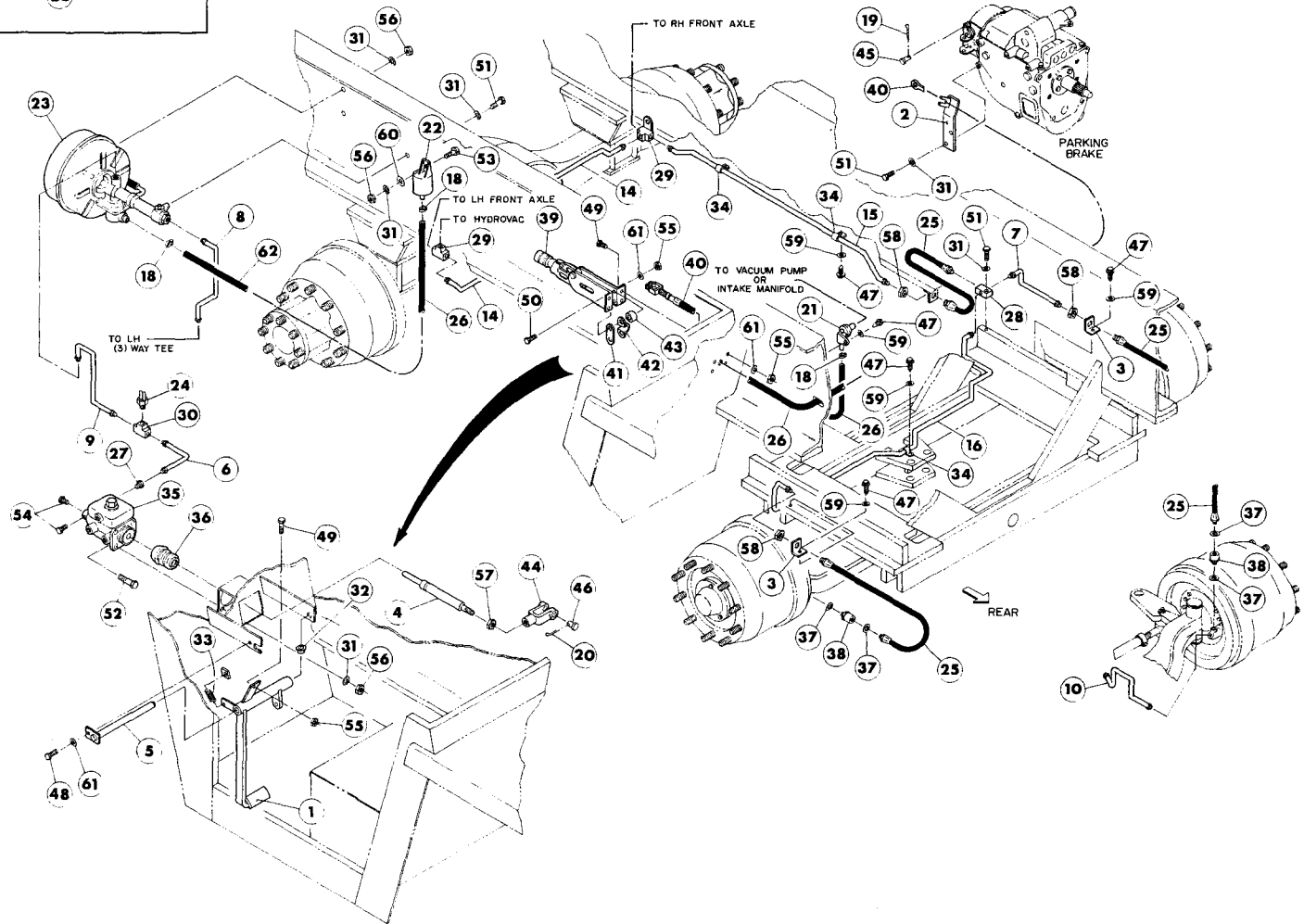
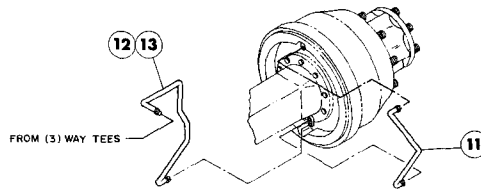
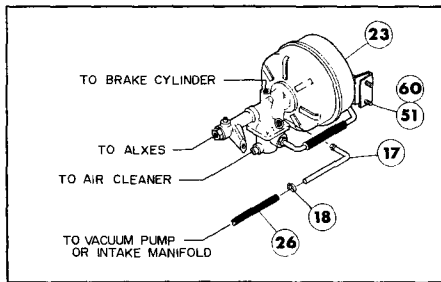
PLACARD INSTALLATION

ITEM NO.	PART NO.	DESCRIPTION	QTY.
0	5-652-00151	Placard Installation - IC-180	Ref.
1	3-653-00031	Placard - Broderson	1
2	5-653-00032	Placard - Broderson	2
3	3-653-00038	Placard - Boom Angle - L.H.	1
4	3-653-00039	Placard - Boom Angle - R.H.	1
5	4-654-00098	Placard - Capacity Chart	1
6	2-651-00036	Placard - Caution	4
7	2-650-00207	Placard - Extend & Winch	1
8	3-650-00235	Placard - Control Valve	1
9	2-651-00037	Placard - Danger Electrocution	2
10	2-651-00038	Placard - Danger	1
11	1-652-00012	Placard - Diesel	Ref.
12	1-652-00001	Placard - Gas	Ref.
13	1-650-00136	Placard - Headlights	1
14	1-650-00141	Placard - Horn	1
15	1-652-00002	Placard - Hydraulic Oil	1
16	1-655-00012	Placard - Kit (Not Shown)	Ref.
17	3-653-00030	Placard - Logo: BMC	2
18	6-653-00043	Placard - Logo: Yardrunner	2
19	1-652-00028	Placard - Oil Temperature	1
20	1-650-00194	Placard - Shift Pattern	1
21	2-652-00088	Placard - Shifter	1
22	1-650-00134	Placard - Start	1
23	2-653-00049	Placard - Stripe	24.4'
24	1-652-00036	Placard - Tie Down Here	3
25	1-651-00045	Placard - Warning	1
26	2-729-00459	Boom Angle Pointer	2
27	0-224-01003	Cotter Pin 3/32 x 5/8" Lg.	2
28	1-783-01438	Support Bar	2



TRANSMISSION SHIFT INSTALLATION

ITEM NO.	PART NO.	DESCRIPTION	QTY.
0	4-600-00496	Transmission Shift Installation	Ref.
1	3-110-00086	Transmission Shifter Modification	1
2	2-600-13026	Main Transmission Shift Arm	1
3	2-600-13044	Transmission Shift Rod Weldment	1
4	2-600-13045	Reverse Transmission Arm	1
5	3-770-00618	Support Bracket - Trans. Shift Cable	1
6	2-770-00779	Control Bracket	1
7	2-783-01435	Support Bar	1
8	2-789-01357	Support Plate	1
9	1-804-00430	Control Rod	1
10	0-202-00010	Compression Spring - Lee #LC-072H1	1
11	0-204-00016	Woodruff Key 3/16 x 7/8 #607	2
12	0-224-01001	Cotter Pin 3/32 x 1/2" Lg.	2
13	0-224-17000	Roll Pin 5/16 x 1-3/4" Lg.	1
14	0-271-21003	Flange Bearing - Oilite #FF1015-1	2
15	0-501-03001	Grease Fitting	1
16	0-501-03005	Grease Fitting	1
17	0-600-40031	Cable - Morse #32C-60" Lg.	1
18	0-600-40188	Cable - Morse #62-B-48	1
19	0-770-00090	Cable Bracket - Morse #A-36174	1
20	0-808-00018	Knob - Dimcogrey #283 w/3/8-24 Thrd.	1
21	0-809-00043	Ball Joint - Tourek #F-103-F	2
22	0-809-00158	Yoke - Morse #A42034	2
23	0-809-00160	Ball Joint - Tourek #SR-108G	2
24	0-870-00001	Clevis Pin	2
25	0-220-01001	Hex Hd. Bolt 5/16-18NC x 2" Lg.	2
26	0-220-12005	Hex Hd. Bolt 3/8-24NF x 1" Lg.	1
27	0-220-02004	Hex Hd. Bolt 3/8-16NC x 1" Lg.	6
28	0-220-02011	Hex Hd. Bolt 3/8-16NC x 2" Lg.	2
29	0-221-10002	Hex Nut #10-32NF	4
30	0-221-90001	Hex Lock Nut 1/4-20NC	1
31	0-221-11002	Hex Nut 5/16-24NF	3
32	0-221-12001	Hex Jam Nut 3/8-24NF	1
33	0-221-92001	Hex Lock Nut 3/8-16NC	6
34	0-222-10002	Lockwasher #10 Dia.	3
35	0-222-00003	Flatwasher 1/4 Dia.	3
36	0-222-11001	Lockwasher 5/16 Dia.	4
37	0-222-02001	Flatwasher 3/8 Dia.	8
38	0-222-07003	Flatwasher 3/4 Dia.	1
39	0-223-01101	Rd. Hd. Mach. Scr. #10-32NF x 3/4" Lg.	2
40	0-223-15203	Hex Hd. S.T. WF Scr. 1/4-20NC x 3/4" Lg.	4



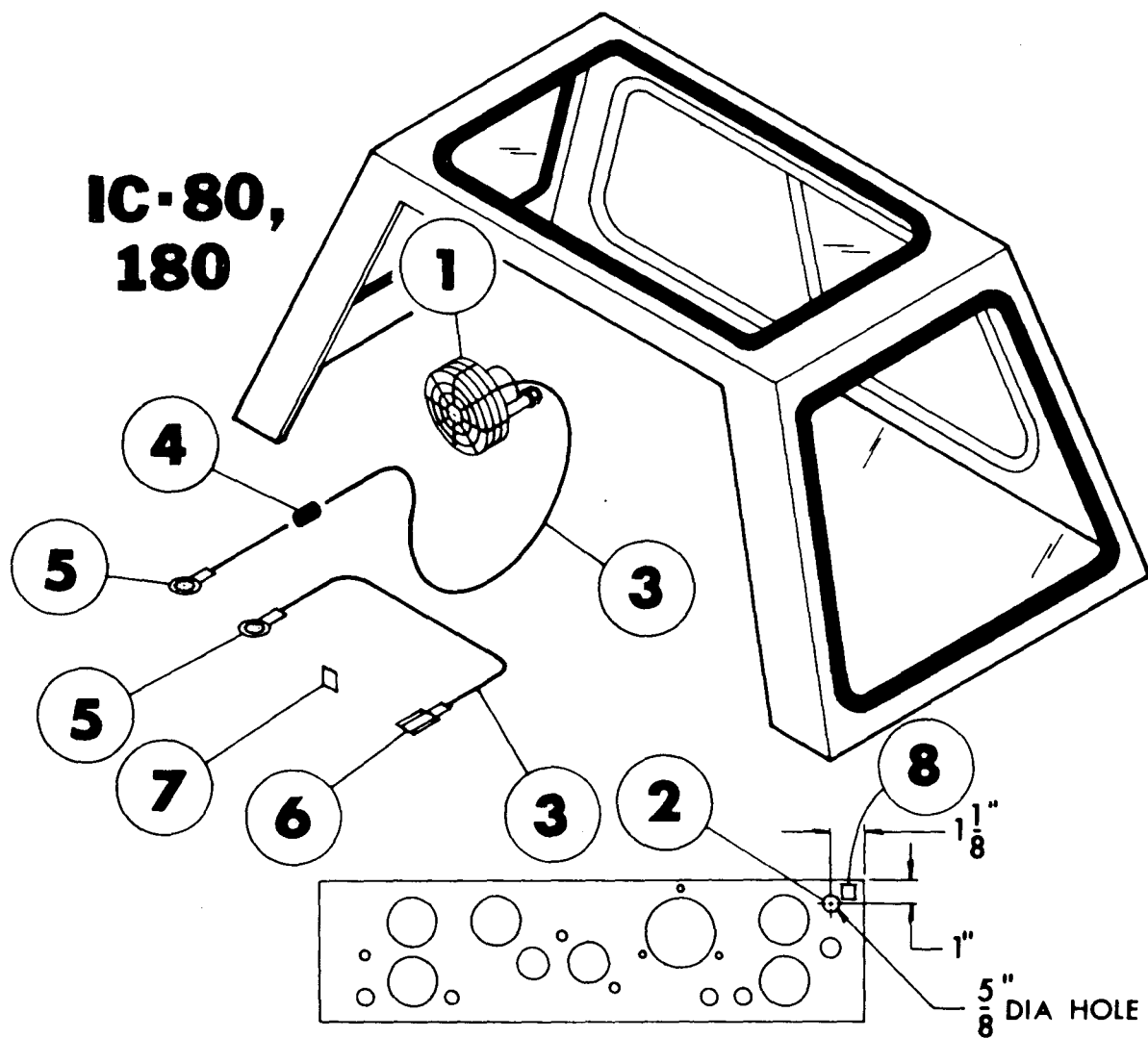
BRAKE SYSTEM INSTALLATION

ITEM NO.	PART NO.	DESCRIPTION	QTY.
0	5-600-00489	Brake System Installation - IC-180	Ref.
1	3-600-40259	Brake Pedal Weldment	1
2	2-770-00619	Parking Brake Bracket	1
3	1-789-00644	Support Plate	3
4	1-804-00426	Master Cylinder Push Rod	1
5	1-870-10087	Pin - Brake Pedal	1
6	1-510-20190	Tube Assembly 1/4 Dia. x 9-1/4" Lg.	1
7	1-510-20191	Tube Assembly 1/4 Dia. x 10-3/4" Lg.	1
8	1-510-20192	Tube Assembly 1/4 Dia. x 14-3/4" Lg.	1
9	1-510-20193	Tube Assembly 1/4 Dia. x 17-1/4" Lg.	1
10	1-510-20180	Tube Assembly 1/4 Dia. x 18" Lg.	2
11	1-510-20194	Tube Assembly 1/4 Dia. x 18-1/2" Lg.	2
12	1-510-20195	Tube Assembly 1/4 Dia. x 23" Lg.	1
13	1-510-20196	Tube Assembly 1/4 Dia. x 27-1/4" Lg.	1
14	1-510-20197	Tube Assembly 1/4 Dia. x 42-1/4" Lg.	1
15	1-510-20198	Tube Assembly 1/4 Dia. x 57" Lg.	1
16	1-510-20199	Tube Assembly 1/4 Dia. x 61-1/2" Lg.	1
17	1-510-50149	Tube Assembly 1/2 Dia. x 8" Lg.	1
18	0-201-00016	Hose Clamp Gates #10	4
19	0-224-01003	Cotter Pin 3/32 x 5/8	Ref.
20	0-224-02001	Cotter Pin 1/8 x 3/4	1
21	0-300-00016	Check Valve - BW #2502139	1
22	0-300-00114	Air Cleaner - BW #374717	1
23	0-300-00113	Hydrovac - Bendix #2512138	1
24	0-400-04903	Switch - EIS #K-791	1
25	0-502-00001	Hose Assy 3/6 Dia - EIS #SP-1373	3
26	0-503-43004	Hose - Gates #C3 1/2	8.2'
27	0-513-20005	Connector - Weatherhead #7727	1
28	0-516-62001	Tee (3) Way - Weatherhead #1220	1
29	0-516-90001	Tee (3) Way - Weatherhead #FC3933	2

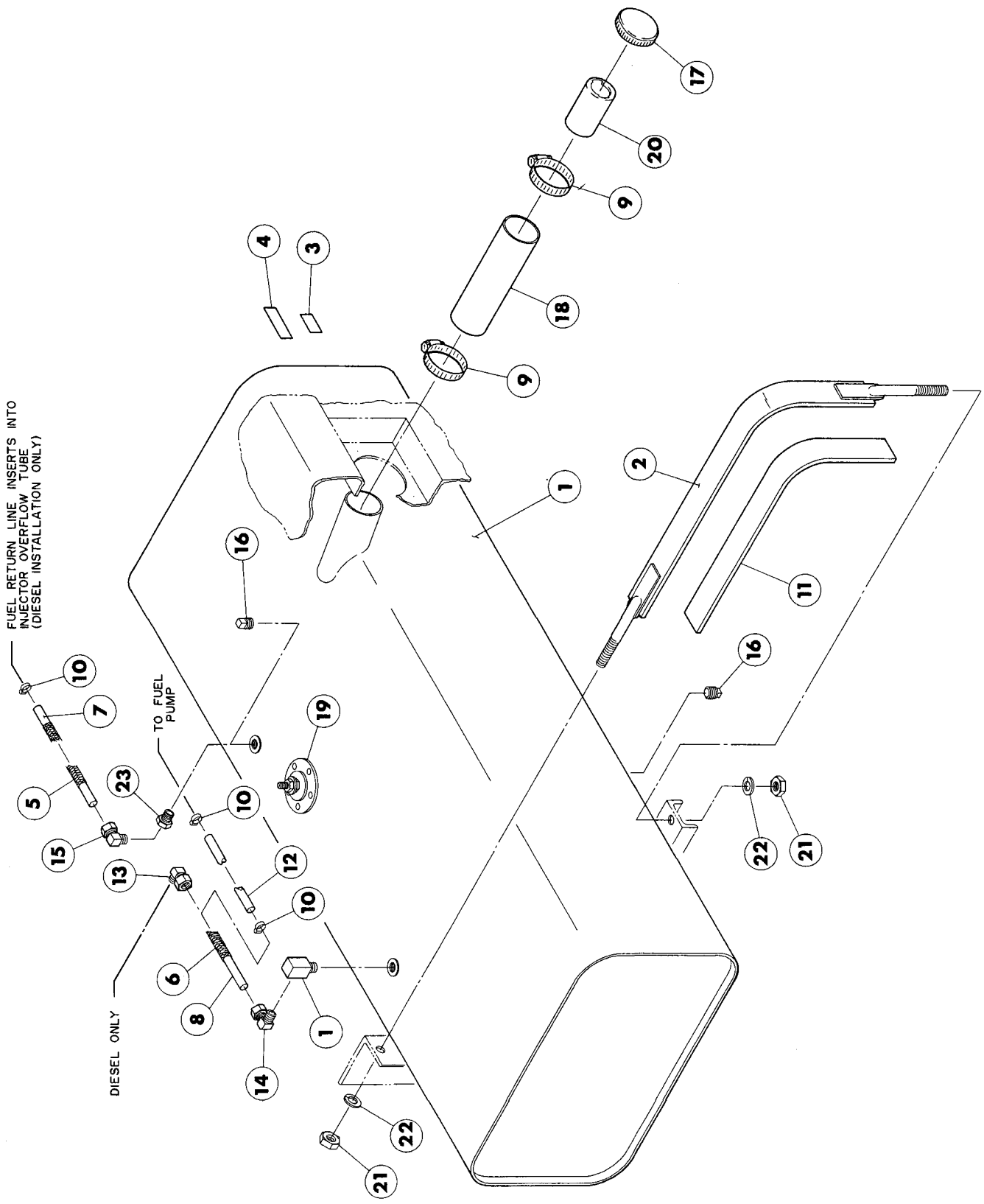
BRAKE SYSTEM INSTALLATION

ITEM NO.	PART NO.	DESCRIPTION	QTY.
30	0-517-40001	Tee (3) Way - Weatherhead #652-4	1
31	0-222-12001	Lockwasher 3/8 Dia.	11
32	0-600-10048	Bushing - Ford #B7C-2461A	2
33	0-600-10051	Spring - Ford #D3HZ-2455-A	1
34	0-600-40006	Control Clip - Aren #MT306-5	3
35	0-600-40210	Brake Cylinder w/Boot - Wagner #F5652	1
36	0-600-40211	Boot - Wagner #FC16971	Ref.
37	0-600-66106	Brake Seal - United #1243H-2152	4
38	0-600-66113	Adapter - Rockwell #1779-X-154	2
39	0-600-66301	Lever Assy - Orschelin #6100-C36-1841	1
40	0-600-66302	Cable Assy - Orschelin #YE19-1795	1
41	0-600-66303	Link Spacer - Orschelin #385	Ref.
42	0-600-66304	Cable Clamp - Orschelin #302E	Ref.
43	0-600-66305	Spacer - Orschelin #720	Ref.
44	0-809-00036	Yoke End	1
45	0-870-00001	Clevis Pin	Ref.
46	0-870-00008	Clevis Pin	1
47	0-223-15203	Hex Hd. S.T. WF Scr. 1/4-20NC x 3/4" Lg.	6
48	0-220-01014	Hex Hd. Bolt 5/16-18NC x 1/2" Lg.	1
49	0-220-01004	Hex Hd. Bolt 5/16-18NC x 3/4" Lg.	5
50	0-220-01006	Hex Hd. Bolt 5/16-18NC x 1-1/2" Lg.	2
51	0-220-02004	Hex Hd. Bolt 3/8-16NC x 1" Lg.	6
52	0-220-02002	Hex Hd. Bolt 3/8-16NC x 1-1/4" Lg.	4
53	0-220-02005	Hex Hd. Bolt 3/8-16NC x 2-1/2" Lg.	1
54	0-220-14010	Hex Hd. Bolt 1/2-20NF x 5/8" Lg.	2
55	0-221-01001	Hex Nut 5/16-18NC	7
56	0-221-02001	Hex Nut 3/8-16NC	7
57	0-221-14002	Hex Jam Nut 1/2-20NF	1
58	0-221-16003	Hex Jam Nut 5/8-24NF	3
59	0-222-00003	Flatwasher 1/4 Dia.	6
60	0-222-02001	Flatwasher 3/8 Dia.	3
61	0-222-11001	Lockwasher 5/16 Dia.	7
62	0-503-44003	Hose-Gates 3/4 ID #RLAL x 1 Braid	2'

DEFROSTER INSTALLATION (DF-2)



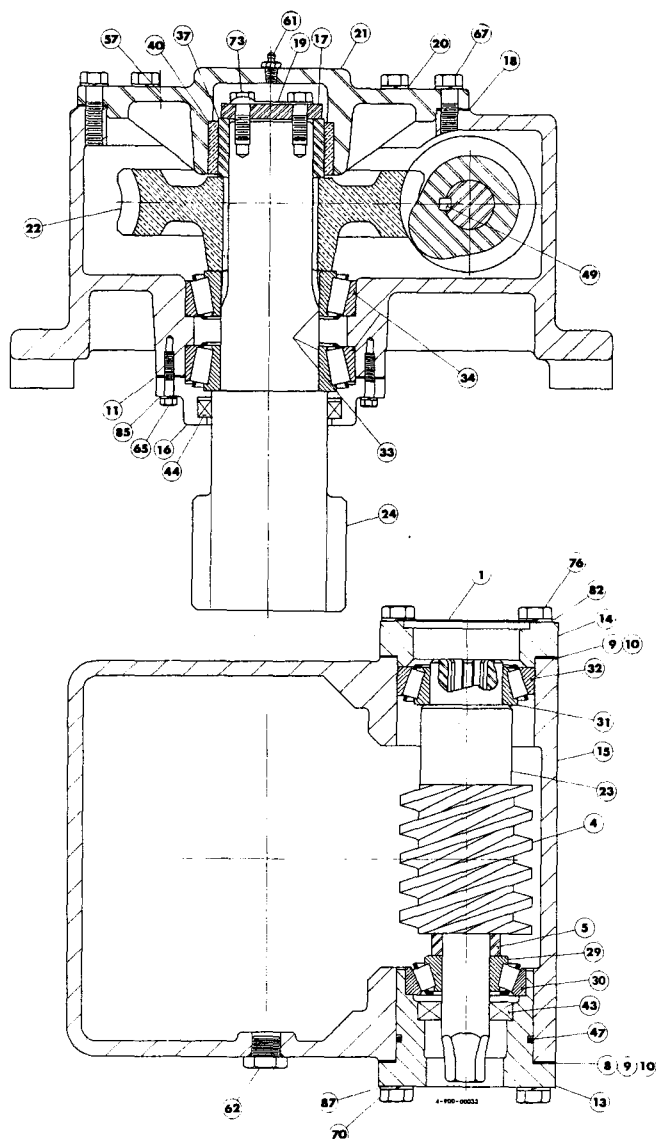
ITEM NO.	PART NO.	DESCRIPTION	QTY.
0	3-600-93040	Fan Defroster Installation	Ref.
1	0-600-93037	Defroster Fan Assembly #6032-0051F	1
2	0-600-93038	Rheostat Switch #6008-0044	1
3	0-400-01302	Wire - 16 Gauge	4.0'
4	0-400-02202	Wire Connector - API #34071	1
5	0-400-02213	Eye Terminal	2
6	0-400-02203	Female Slide Connector - Whitaker #2891	1
7	0-209-00062	Ty-Rap Mounting Base #TC5342A	2
8	1-650-00222	Defroster Fan Placard	1



FUEL TANK INSTALLATION

ITEM NO.	PART NO.	DESCRIPTION	QTY.
0	4-600-00494	Fuel Tank Installation - IC-180	Ref.
1	2-875-10006	Fuel Tank - 30 Gallons	1
2	2-875-90002	Fuel Tank Strap	2
3	1-652-00001	Gas Placard - Gas	1
4	1-652-00012	Diesel Placard - Diesel	1
5	0-036-00003	Loom 3/16 ID - Whitaker #683 - Diesel	6.5'
6	0-036-10001	Loom 5/16 ID - Whitaker #685	5.2'
7	0-037-10001	Copper Tubing 3/16 Dia - Diesel	6.7'
8	0-037-30001	Copper Tubing 5/16 Dia.	5.4'
9	0-201-00013	Hose Clamp - Gates #36	2
10	0-201-00088	Clamp - Gates #1	2
11	0-209-00027	Rubber Strip - Durkee Atwood #3850	3.0'
12	0-503-48005	Gas Line Hose 5/16 ID - Gas	0.5'
13	0-514-03001	Elbow 90° - Weatherhead #69 x 5A - Diesel	1
14	0-514-03003	Elbow 90° - Weatherhead #69 x 5 x 4	1
15	0-514-09008	Elbow 90° - Weatherhead #69 x 3 - Diesel	1
16	0-570-20008	Sq. Hd. Pipe Plug 1/4 NPT	2
17	0-875-90001	Non Locking Cap - Stant #AAJ1168	1
18	0-875-90004	Rubber Neck - Gates #4278CN-Q-0260	1
19	0-875-90005	Sending Unit - SW #D385C	Ref.
20	0-875-90010	Fuel Filler Tube - Eaton #NA-1089	1
21	0-221-02002	Hex Nut 3/8-16NC	4
22	0-222-12001	Lockwasher 3/8 Dia.	4
23	0-570-40001	Reducer 1/4 x 1/8 NPT - Diesel	1

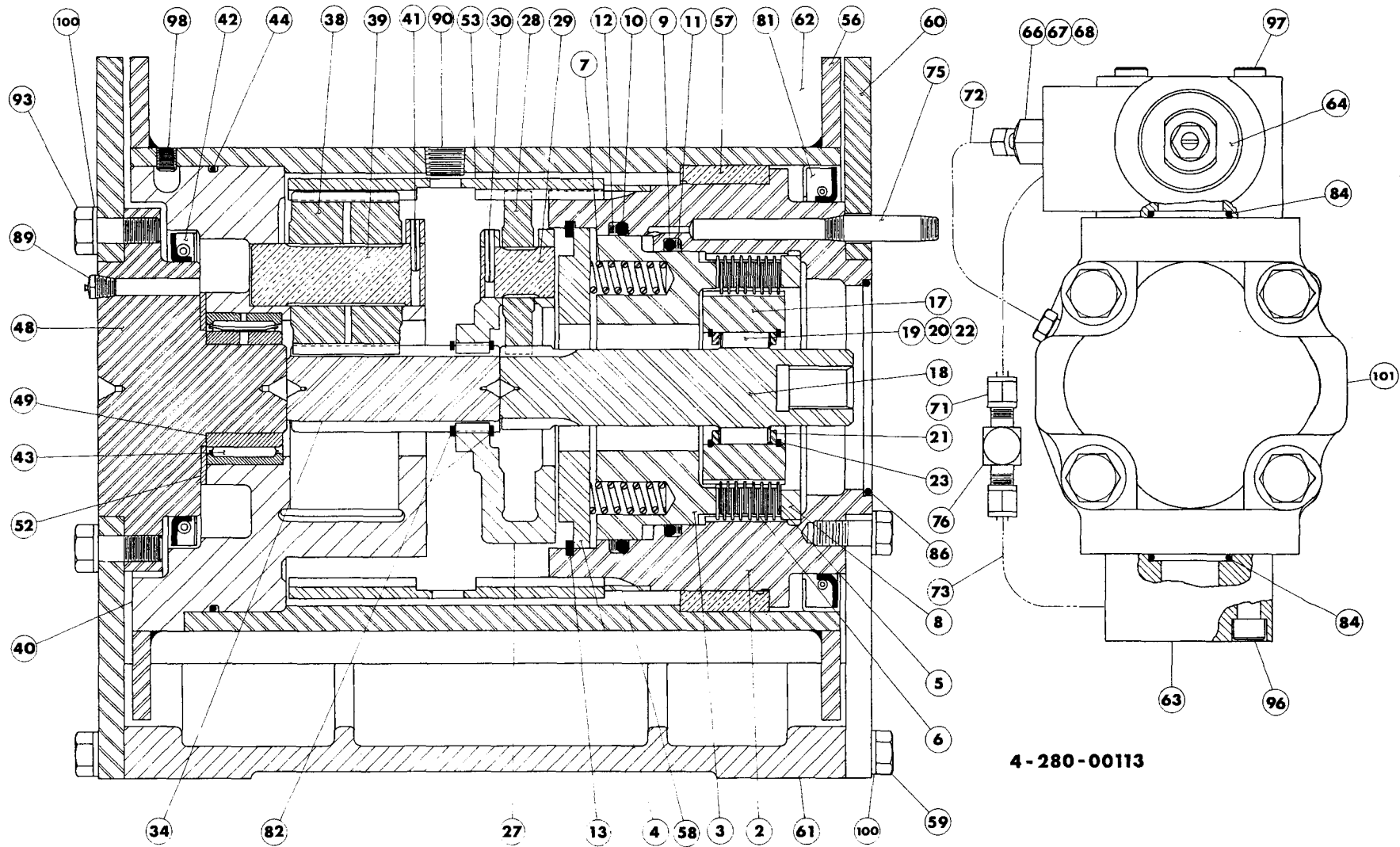
ROTATION GEAR BOX



ITEM NO.	PART NO.	DESCRIPTION	QTY.
0	4-900-00033	Rotation Gear Box Parts RTR-180	Ref.
1	9-347-00351	Gasket, Hyd. Motor #008-10056-1	1
4	9-347-00362	Worm #015-10006-1	1
5	9-347-00353	Spacer #015-10009-1	1
8	9-347-00354	Gasket, Brg. Cont. #135-10075-1 (.005)	1
9	9-347-00238	Gasket, Brg. Cont. #135-10021-1 (.015)	2
10	9-347-00239	Gasket, Brg. Cont. #135-10022-1 (.031)	2
11	9-347-00242	Gasket, Seal Carrier #135-10025-1	1
13	9-347-00355	Brg. Retainer #135-10035-1	1
14	9-347-00356	Container, Brg. #135-10069-1	1

ROTATION GEAR BOX

ITEM NO.	PART NO.	DESCRIPTION	QTY.
15	9-347-00357	Housing #135-10080-2	1
16	9-347-00358	Carrier, Seal #135-10084-1	1
17	9-347-00359	Washer #135-10093-1	1
18	9-347-00360	Gasket, Cover #135-10094-1	1
19	9-347-00361	Lockwasher #135-10097-1	1
20	9-347-00362	Seal, Bolt #135-10100-1	8
21	9-347-00363	Cover #135-10089-1	1
22	9-347-00364	Gear, Worm #135-10103-1	1
23	9-347-00365	Shaft, Worm #135-10105-1	1
24	9-347-00366	Shaft, Output #135-10108-1	1
29	9-347-00248	Cone, Brg. #500-10027-1	1
30	9-347-00249	Cup, Brg. #500-10028-1	1
31	9-347-00282	Cone, Brg. #500-10043-1	1
32	9-347-00367	Cup, Brg. #500-10044-1	1
33	9-347-00368	Cone, Brg. #500-10063-1	2
34	9-347-00253	Cup, Brg. #500-10066-1	2
37	9-347-00369	Inner, Race #502-10026-1	1
40	9-347-00370	Bushing #510-10068-1	1
43	9-347-00371	Seal #520-10034-1	1
44	9-347-00372	Seal, Output Shaft #520-10121-1	1
47	9-347-00237	O-Ring #530-10033-1	1
49	9-347-00261	Key #540-10123-1	1
57	0-570-20010	Plug, 1/8 NPT #535-10033-1	1
61	0-501-03002	Zerk 1/8 NPT St. #535-10117-1	1
62	0-517-30001	Plug #535-10145-1	2
65	0-220-00001	Capscrew 1/4-20NC x 1" Lg.	6
66	0-220-02002	Capscrew 3/8-16NC x 1-1/4 Lg.	6
67	9-347-00373	Capscrew 7/16-16NC x 1-1/4 Lg.	6
70	0-220-04005	Capscrew 1/2-13NC x 1-1/2 Lg.	4
73	0-220-02004	Capscrew 3/8-16NC x 1 Lg.	3
76	9-347-00374	Screw #812-10066-1	4
82	0-222-14004	Lockwasher 1/2 Hi-Collar	4
85	0-222-10001	Lockwasher 1/4 Dia.	6
86	0-222-12001	Lockwasher 3/8 Dia.	9
87	0-222-14001	Lockwasher 1/2 Dia.	4



* INDICATES ITEMS NOT SHOWN ABOVE.

4-280-00113

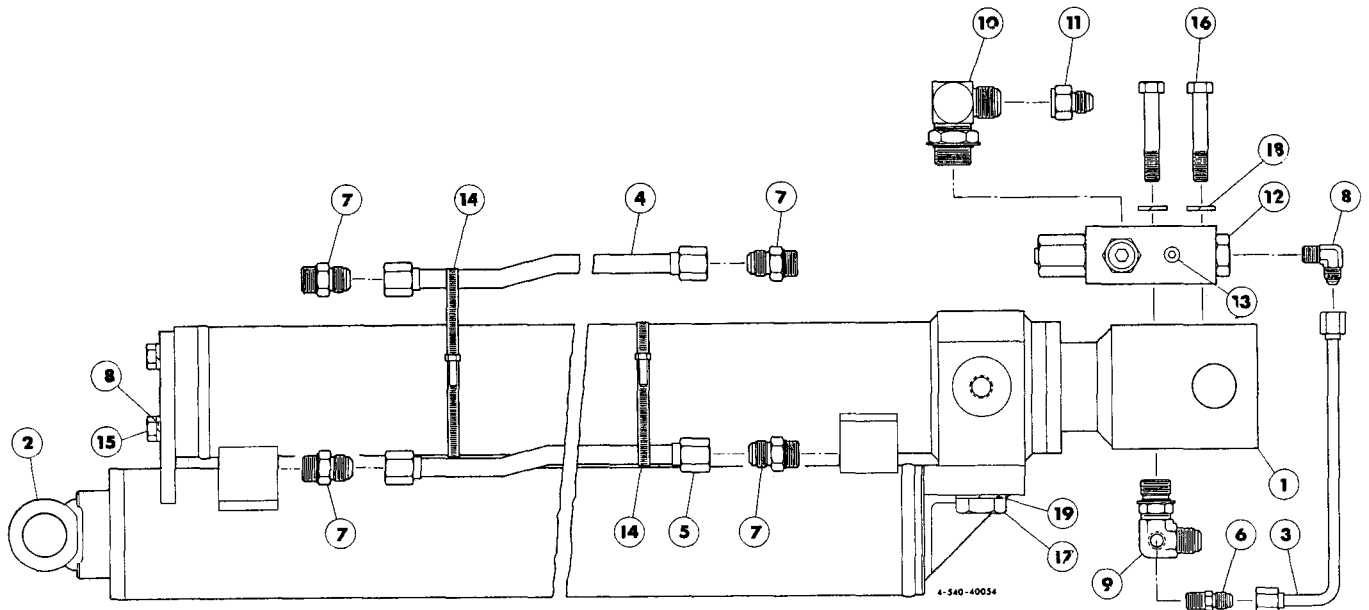
WINCH PARTS - 9-1/2" DIA. DRUM

ITEM NO.	PART NO.	DESCRIPTION	QTY.
0	4-280-00113	Winch Parts - 9-1/2" Dia. Drum	Ref.
*1	9-347-00165	Brake Cylinder Assembly #110-30001-1	1
2	9-347-00166	Brake Cylinder #110-10001-1	1
3	9-347-00167	Brake Piston #110-10002-2	1
4	9-347-00168	Spring Plate #110-10003-2	1
5	9-347-00169	Friction Disc #110-10004-2	8
6	9-347-00170	Brake Disc #110-10005-2	8
7	9-347-00171	Spring #110-10007-1	16
8	9-347-00172	Back-up Plate #110-10008-1	1
9	9-347-00173	O-Ring #530-10089-1	1
10	9-347-00174	O-Ring #530-10091-1	1
11	9-347-00175	Back-up Ring #531-10089-1	1
12	9-347-00176	Back-up Ring #531-10091-1	1
13	9-347-00177	Snap Ring #525-10115-1	1
*14	9-347-00268	Gear Assembly #110-30010-2	1
17	9-347-00179	Race #110-10009-2	1
18	9-347-00269	Input Gear #110-10010-2	1
19	9-347-00072	Plunger Spring #015-10047-1	4
20	9-347-00073	Plunger #015-10048-1	4
21	9-347-00074	Retainer Ring #015-10049-1	2
22	9-347-00181	Roller #110-10011-1	4
23	9-347-00182	Snap Ring #525-10108-1	2
*24	9-347-00183	Primary Planet Carrier #110-30012-1	1
27	9-347-00184	Carrier #110-10012-1	1
28	9-347-00185	Gear #110-10013-1	3
29	9-347-00186	Shaft #110-10014-1	3
30	9-347-00187	Roll Pin #545-10241-1	3
34	9-347-00188	Output Gear #110-10016-1	1
*35	9-347-00189	Secondary Planet Carrier #110-30019-1	1
38	9-347-00190	Gear #110-10017-1	3
39	9-347-00191	Shaft #110-10018-1	3
40	9-347-00192	Carrier #110-10019-1	1
41	9-347-00193	Roll Pin #545-10245-1	3
42	9-347-00194	Seal #520-10183-1	1
43	9-347-00195	Bearing #502-10025-1	1
44	9-347-00196	O-Ring #530-10049-1	1
*45	9-347-00197	Drum Support Assy #110-30020-1	1
48	9-347-00198	Drum Support #110-10020-1	1
49	9-347-00199	Inner Race #502-10020-1	1

WINCH PARTS - 9-1/2" DIA. DRUM

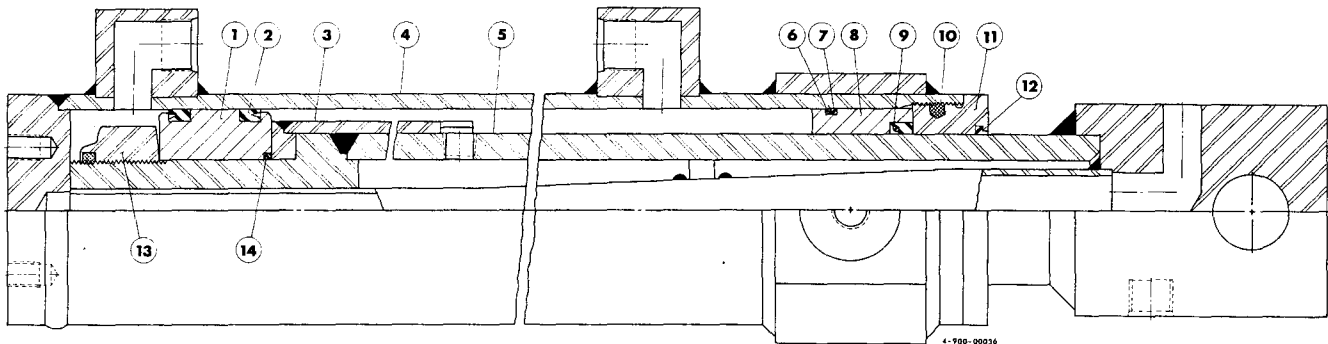
ITEM NO.	PART NO.	DESCRIPTION	QTY.
52	9-347-00200	Spacer #110-10021-1	1
53	9-347-00201	Ring Gear #110-10022-1	1
56	9-347-00270	Cable Drum #110-10023-1	1
57	9-347-00204	Bushing #110-10025-1	1
58	9-347-00205	Spacer #110-10027-1	1
59	9-347-00330	Bolt #110-10085-1	22
60	9-347-00271	Side Plate #110-10029-1	2
61	9-347-00272	Base #110-10032-1	1
62	9-347-00209	Tie Bar #110-10038-1	1
63	9-347-00210	Manifold #110-10041-1	1
64	9-347-00084	Counterbalance Valve #110-10060-1	1
*65	9-347-00211	Check Valve Assembly #110-30061-1	1
66	9-347-00212	Check Valve #110-10061-1	1
67	9-347-00213	Ball #110-10062-1	1
68	9-347-00214	Roll Pin #545-10164-1	1
71	9-347-00329	Tube Assembly #110-30063-2	1
72	9-347-00327	Tube Assembly #110-30064-2	1
73	9-347-00326	Tube Assembly #110-30065-2	1
*74	9-347-00325	Elbow #110-10108-1	1
75	9-347-00215	Nipple #110-10100-1	1
76	9-347-00216	Tee #110-10101-1	1
*77	9-347-00324	Connector #110-10109-1	2
*78	9-347-00217	Elbow #110-10103-1	1
*79	9-347-00218	Connector #110-10104-1	1
*80	9-347-00323	Bolt #110-10118-1	4
81	9-347-00219	Seal #520-10245-1	1
82	9-347-00220	Snap Ring #525-10020-1	2
84	9-347-00221	O-Ring #530-10026-1	2
86	9-347-00222	O-Ring #530-10036-1	1
89	9-347-00158	Vent #535-10033-1	1
90	9-347-00223	Pipe Plug #535-10040-1	1
93	9-347-00322	Capscrew #802-10083-1	6
94	9-347-00321	Capscrew #802-10087-1	2
96	9-347-00320	Capscrew #815-0072-1	4
97	9-347-00319	Capscrew #815-0076-1	4
98	9-347-00318	Setscrew #870-10054-3	1
100	0-222-14001	Lockwasher 1/2 Dia.	38
101	0-530-20019	Motor-CS&S #M25 x 797 Bert -22-25	1

EXTENSION CYLINDER ASSEMBLY



ITEM NO.	PART NO.	DESCRIPTION	QTY.
0	4-540-40054	Extension Cylinder Assembly	Ref.
1	4-540-40043	Extension Cylinder - Primary	1
2	4-540-40044	Extension Cylinder - Secondary	1
3	1-510-40213	Tube Assembly 3/8 Dia. x 14" Lg.	1
4	1-510-60029	Tube Assembly 5/8 Dia.	1
5	1-510-60030	Tube Assembly 5/8 Dia.	1
6	0-513-40003	Connector - Parker #6FTX-S	1
7	0-513-60002	Connector - Parker #10F50X-S	4
8	0-514-04002	Elbow 90° - Parker #6CTX-S	1
9	1-514-56005	Elbow 90° Modification	1
10	0-514-59005	Elbow 90° - Parker #12-16C50X-S	1
11	0-519-40004	Tube End Reducer - Parker #12-10TRTX-S	1
12	0-552-00034	Holding Valve - Sarasota #25625-SAE16G	1
13	0-570-20010	Sq. Hd. Pipe Plug 1/8 NPT	1
14	0-201-00007	Hose Clamp - Gates #72	2
15	0-220-04002	Hex Hd. Bolt 1/2-13NC x 1-1/4" Lg.	2
16	0-220-04023	Hex Hd. Bolt 1/2-13NC x 3" Lg.	4
17	0-220-09010	Hex Hd. Bolt 1-8NC x 2-1/2" Lg.	2
18	0-222-14001	Lockwasher 1/2 Dia.	6
19	0-222-19001	Lockwasher 1" Dia.	2

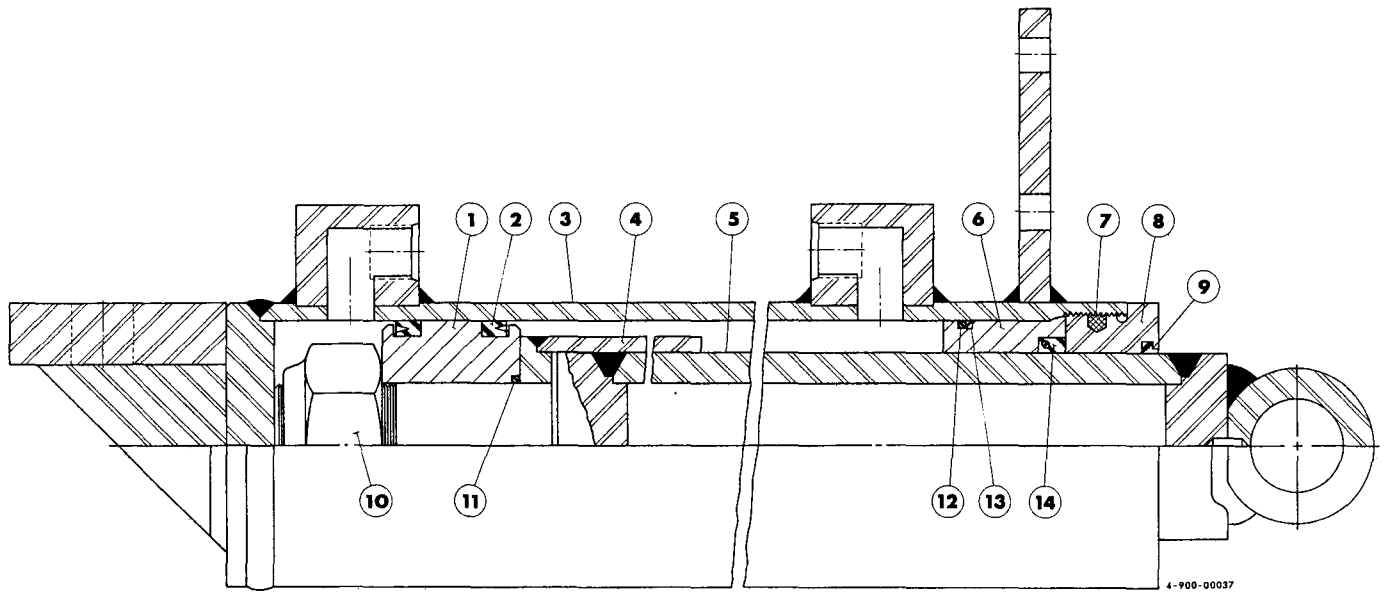
PRIMARY EXTENSION CYLINDER PARTS



ITEMS 2, 6, 7, 9, 10, 12 AND 14 ARE IN SEAL KIT NO. 8-268-90024

ITEM NO.	PART NO.	DESCRIPTION	QTY.
0	4-900-00036	Extension Cylinder Parts (Primary)	Ref.
1	9-346-90165	Piston - GB #22744	1
2	9-346-90163	U-Ring - GB #30181	2
3	9-346-90173	Spacer Assembly - GB #22754	1
4	9-346-90307	Tube Assembly - GB #26891	1
5	9-346-90308	Rod Assembly - GB #26890	1
6	9-346-00055	O-Ring - GB #30065	1
7	9-346-00056	Backup - GB #30066	1
8	9-346-90169	Bearing - GB #22747	1
9	9-346-00094	U-Ring - GB #30156	1
10	9-346-00058	Nylon Plug - GB #30010	1
11	9-346-90168	Retainer - GB #22748	1
12	9-346-90161	Wiper AN - GB #30146	1
13	9-346-90164	Nut - GB #30222	1
14	9-346-00052	O-Ring - GB #30063	1

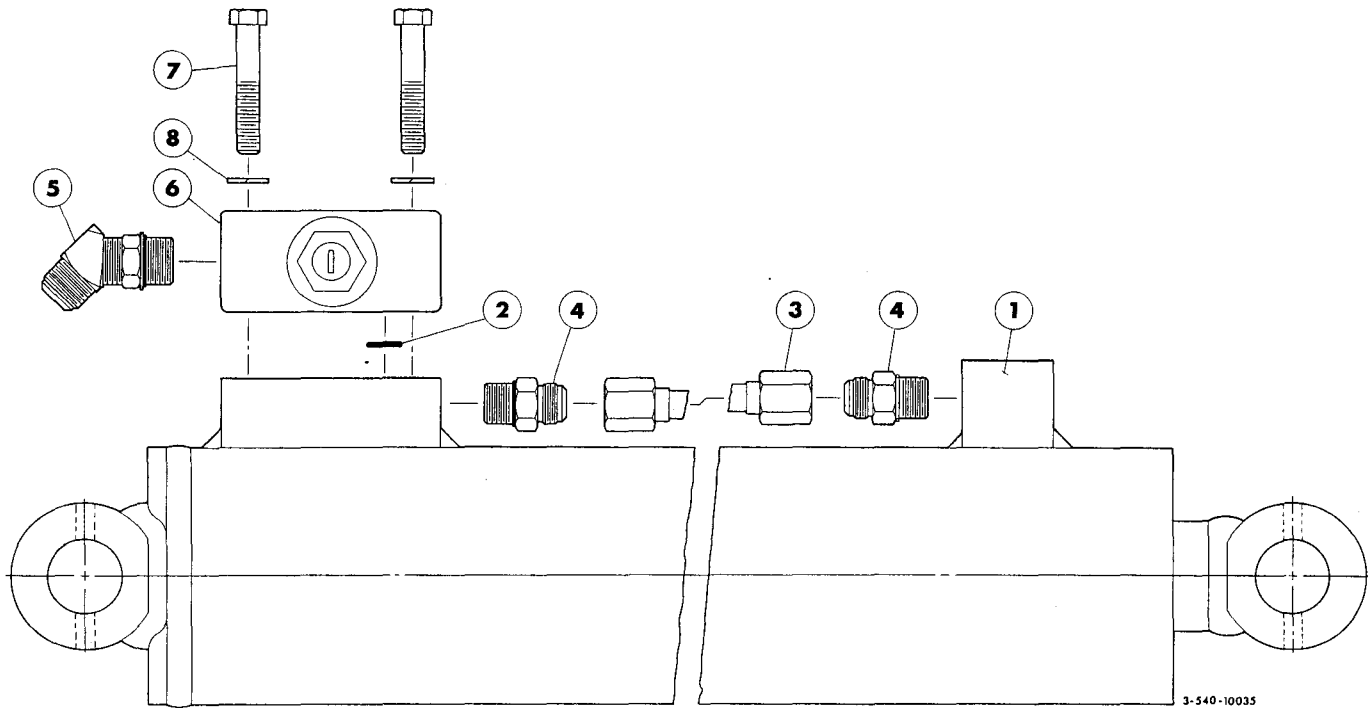
SECONDARY EXTENSION CYLINDER PARTS



ITEMS 2,7,9,11,12,13 AND 14 ARE IN SEAL KIT NO. 8-268-90024

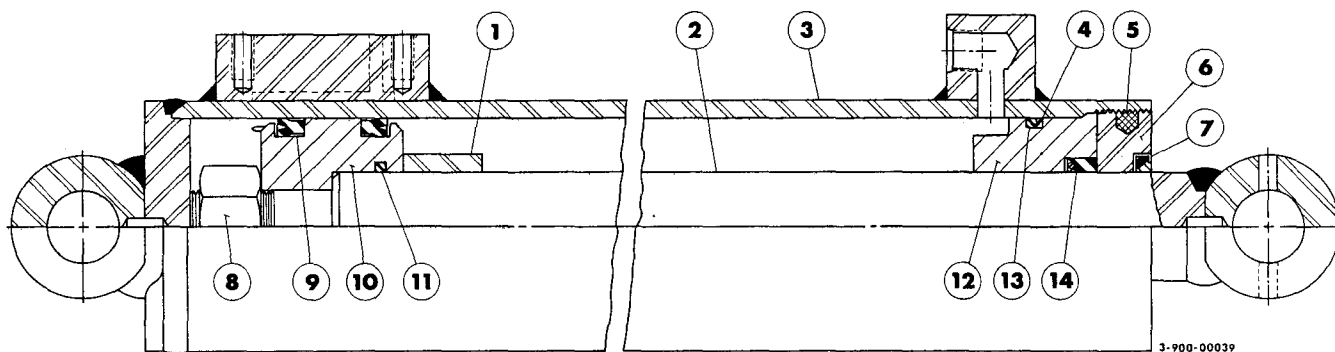
ITEM NO.	PART NO.	DESCRIPTION	QTY.
0	4-900-00037	Extension Cylinder Parts (Secondary)	Ref.
1	9-346-90165	Piston - GB #22744	1
2	9-346-90163	U-Ring - GB #30181	2
3	9-346-90309	Tube Assembly - GB #26883	1
4	9-346-90166	Spacer Assembly - GB #22745	1
5	9-346-90310	Rod Assembly - GB #26884	1
6	9-346-90169	Bearing - GB #22747	1
7	9-346-00058	Nylon Plug - GB #30010	1
8	9-346-90168	Retainer - GB #22748	1
9	9-346-90161	Wiper AN - GB #30146	1
10	9-346-90164	Nut - GB #30222	1
11	9-346-00052	O-Ring - GB #30063	1
12	9-346-00055	O-Ring - GB #30065	1
13	9-346-00056	Backup - GB #30066	1
14	9-346-00094	U-Ring - GB #30156	1

OUTRIGGER CYLINDER ASSEMBLY



ITEM NO.	PART NO.	DESCRIPTION	QTY.
0	3-540-10035	Outrigger Cylinder Assembly	Ref.
1	3-540-10034	Outrigger Cylinder - GBI #11674	1
2	0-260-00002	O-Ring	2
3	1-510-40214	Tube Assembly 3/8 Dia.	1
4	0-513-40007	Connector - Parker #6F50X-S	2
5	0-515-04004	Elbow 45° - Parker #6V50X-S	2
6	0-552-00013	Valve - Gresen #LO-25-DA	1
7	0-220-01010	Hex Hd. Bolt 5/16-18NC x 1-3/4" Lg.	2
8	0-222-11001	Lockwasher 5/16 Dia.	2

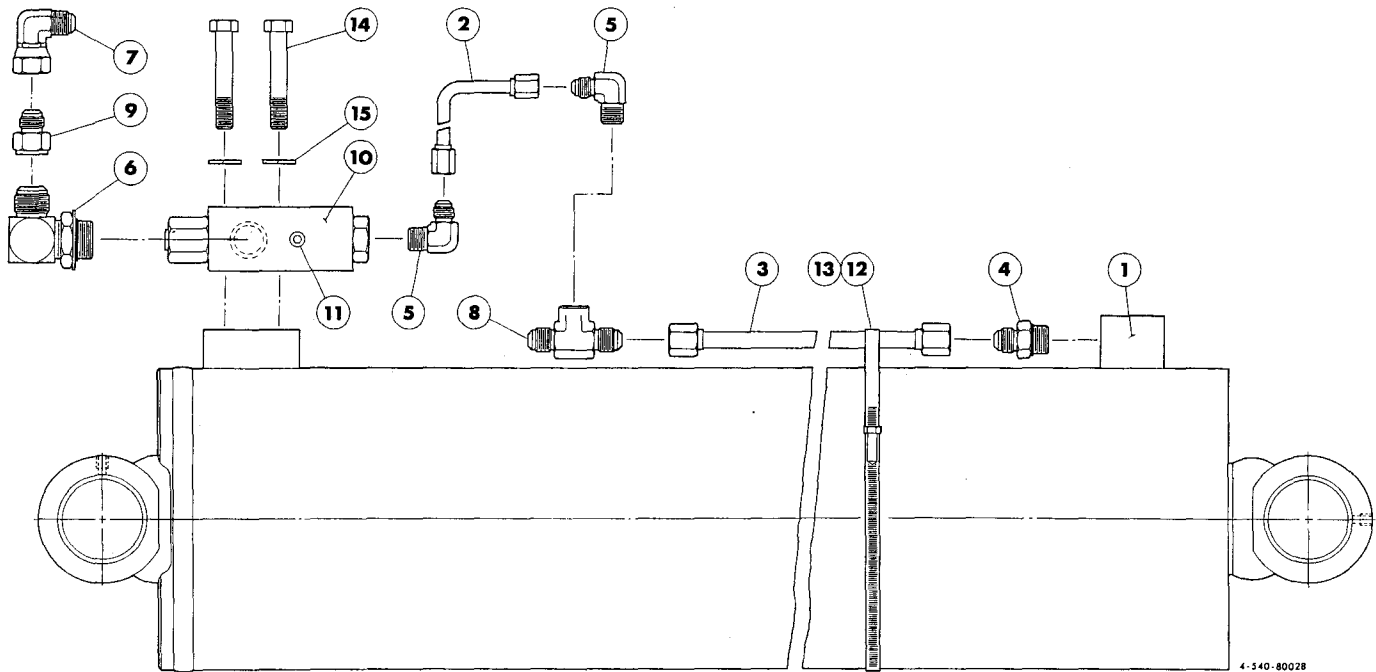
OUTRIGGER CYLINDER PARTS



ITEMS 4,5,7,9,11,13 AND 14 ARE IN SEAL KIT NO. 8-268-90021

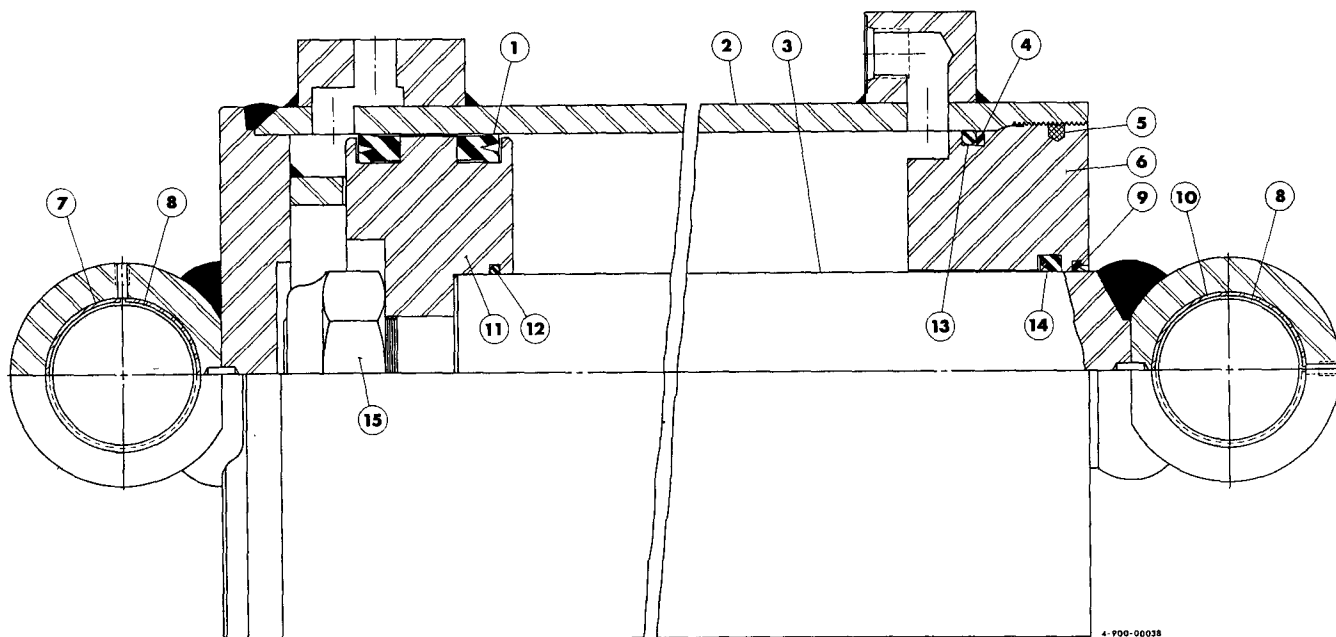
ITEM NO.	PART NO.	DESCRIPTION	QTY.
0	3-900-00039	Outrigger Cylinder Parts	Ref.
1	9-346-90311	Spacer	1
2	9-346-90313	Rod Assembly - GB #26886	1
3	9-346-90312	Tube Assembly - GB #26887	1
4	9-346-00127	O-Ring - GB #30051	1
5	9-346-00058	Nylon Plug - GB #30010	1
6	9-346-90204	Retainer - GB #20102	1
7	9-346-90146	Wiper, Lip Type - GB #30008	1
8	9-346-00015	Nut - GB #30001	1
9	9-346-90199	U-Ring-GB #30153	2
10	9-346-00164	Piston - GB #21109	1
11	9-346-00016	O-Ring - GB #30002	1
12	9-346-90203	Bearing - GB #21110	1
13	9-346-00128	O-Ring - GB #30050	1
14	9-346-00045	U-Ring - GB #30120	1

TOPPING CYLINDER ASSEMBLY



ITEM NO.	PART NO.	DESCRIPTION	QTY.
0	4-540-80028	Topping Cylinder Assembly	Ref.
1	4-540-80025	Topping Cylinder - GBI #11589	1
2	1-510-40212	Tube Assembly 3/8 Dia. x 8" Lg.	1
3	1-510-50170	Tube Assembly 1/2 Dia.	1
4	0-513-50005	Connector - Parker #8-10F50X-S	1
5	0-514-04001	Elbow 90° - Parker #6-6CTX-S	2
6	0-514-59005	Elbow 90° - Parker #12-16C50X-S	1
7	0-514-66001	Elbow 90° Swivel - Parker #10C6X-S	1
8	0-516-35001	Tee - Parker #80TX-S	1
9	0-519-40004	Tube End Reducer - Parker #12-10TRTX-S	1
10	0-552-00034	Holding Valve - Sarasota #25625-SAE-16G	1
11	0-570-20010	Sq. Hd. Pipe Plug 1/8 NPT	1
12	0-201-00052	Clamp - Gates #104	1
13	0-201-00087	Clamp - Gates #48	1
14	0-220-04023	Hex Hd. Bolt 1/2-13NC x 3" Lg.	4
15	0-222-14001	Lockwasher 1/2 Dia.	4

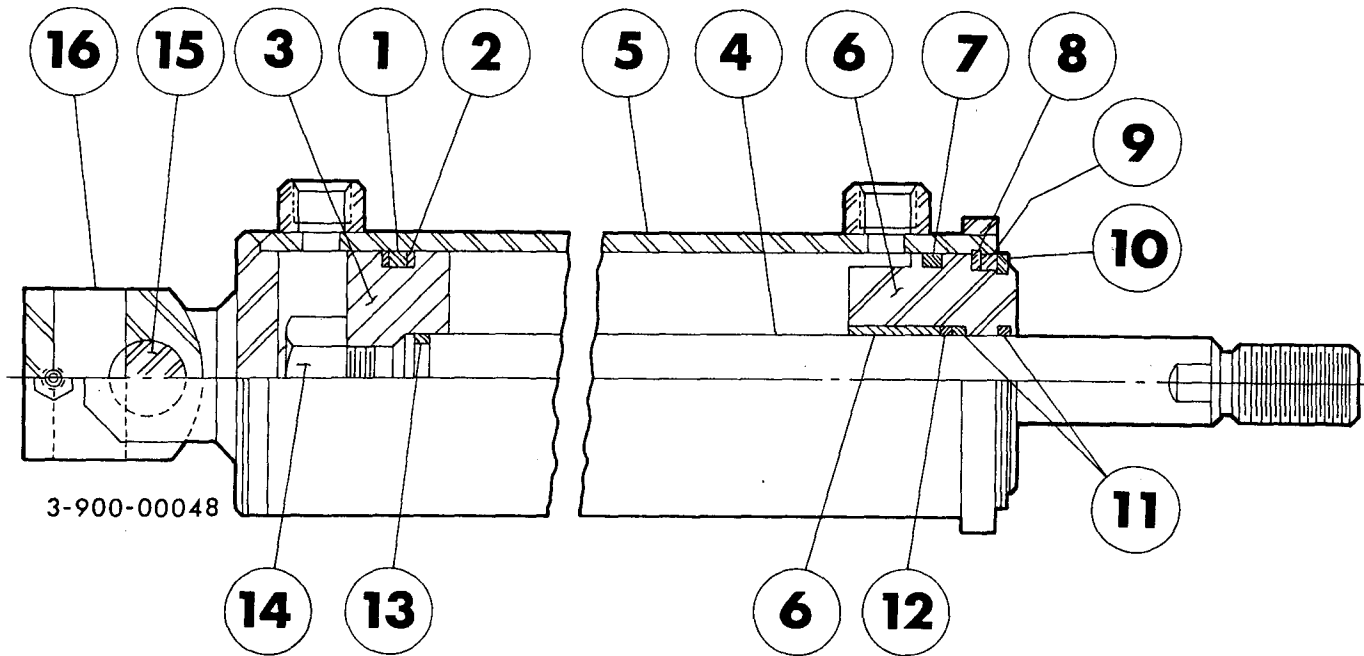
TOPPING CYLINDER PARTS



ITEMS 1,4,5,9,12,13 AND 14 ARE IN SEAL KIT NO. 8-268-90023

ITEM NO.	PART NO.	DESCRIPTION	QTY.
0	4-900-00038	Topping Cylinder Parts	Ref.
1	9-346-00170	U-Ring - GB #30682	2
2	9-346-00184	Tube Assembly - GB #26554	1
3	9-346-00185	Rod Assembly - GB #26555	1
4	9-346-00172	Backup - GB #30993	1
5	9-346-00058	Nylon Plug - GB #30010	1
6	9-346-00179	Retainer - GB #26556	1
7	9-346-00176	Spacer - GB #26558	1
8	9-346-00174	Bushing - GB #30670	2
9	9-346-00167	Wiper - GB #30163	1
10	9-346-00183	Spacer - GB #26559	1
11	9-346-00178	Piston - GB #26557	1
12	9-346-00182	O-Ring - GB #30130	1
13	9-346-00171	O-Ring - GB #30992	1
14	9-346-00168	U-Ring - GB #30440	1
15	9-346-00173	Nut - GB #30222	1

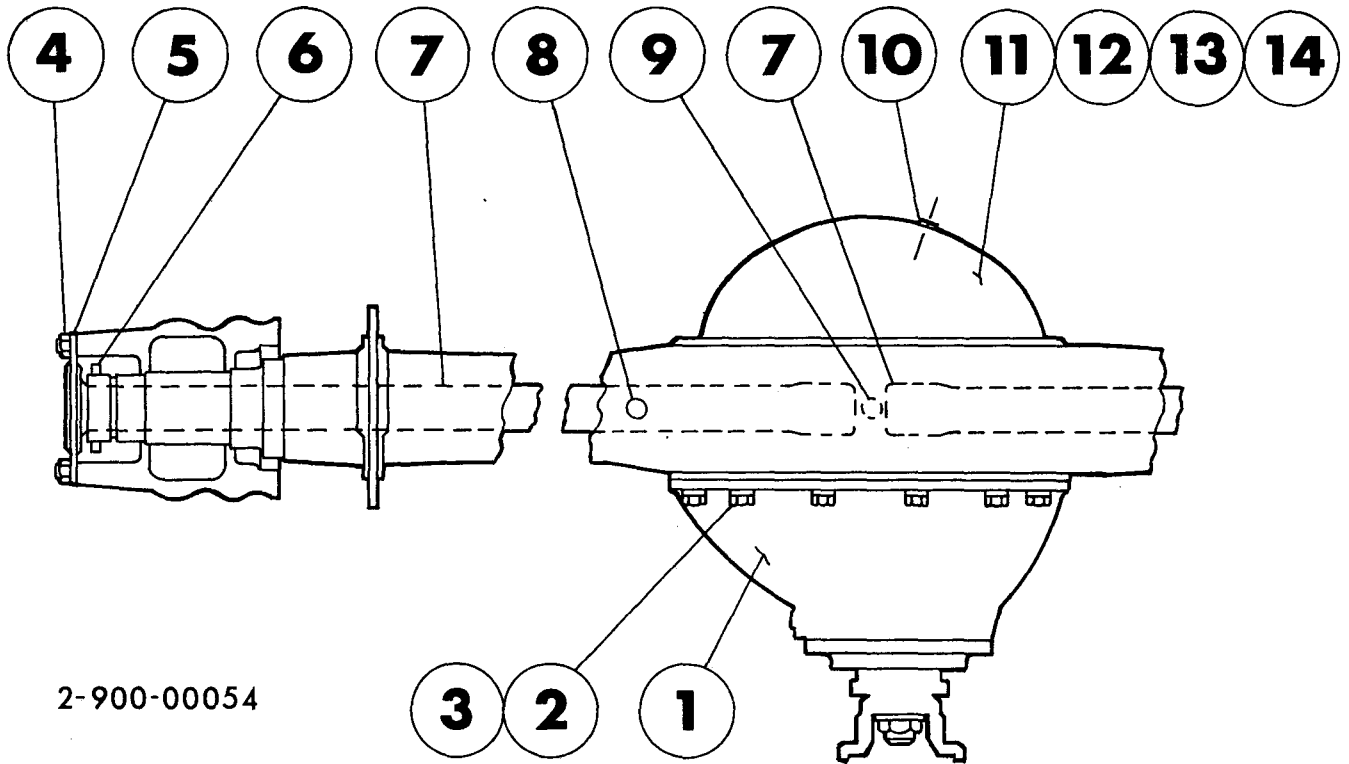
STEERING CYLINDER PARTS



NOTE: ITEMS 1, 2, 7, 8, 11, 12 & 13 ARE INCLUDED IN PACKING KIT NO. 8-268-60002.

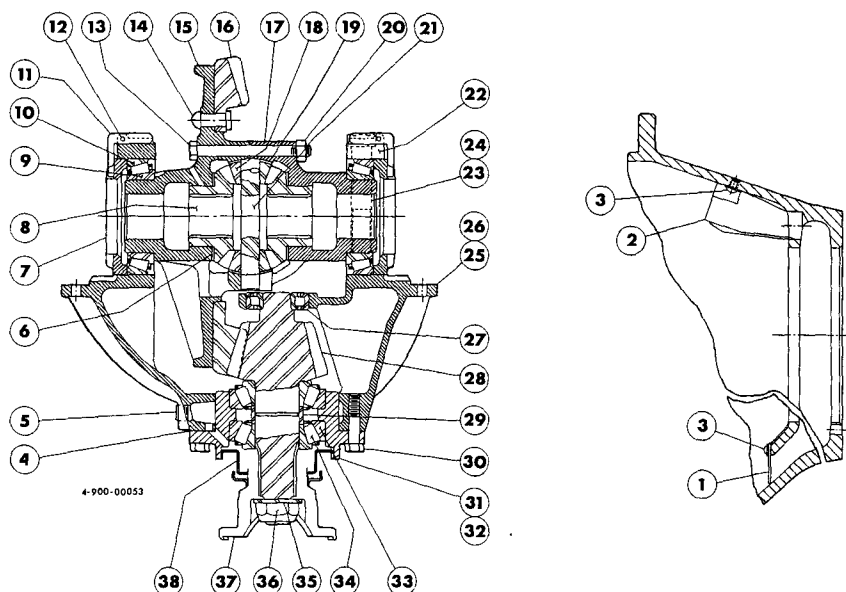
ITEM NO.	PART NO.	DESCRIPTION	QTY.
0	3-900-00048	Steering Cylinder Parts	Ref.
1	9-325-00001	Seal - Gould #50001-334-0010	1
2	9-325-00002	Backup - Gould #50011-334	2
3	9-325-00003	Piston - Gould #39004-401	1
4	9-325-00004	Rod - Gould #6703-021-1300	1
5	9-325-00015	Tube Assembly - Gould #7906-017TA	1
6	9-325-00006	Head Assembly - Gould #7702-003	1
7	9-325-00007	Seal - Gould #50001-232-0260	1
8	9-325-00008	Lockring - Gould #50024-300-1010	1
9	9-325-00009	Spacer - Gould #39003-104	1
10	9-325-00010	Lockring - Gould #50023-275-1010	1
11	9-325-00011	Wiper - Backup - Gould #50051-309	2
12	9-325-00012	Seal - Gould #50001-214-0010	1
13	9-325-00013	Seal - Gould #50001-210-0010	1
14	9-325-00014	Nut - Gould #50067-108-5010	1
15	9-325-00016	Pin Clevis - Gould #7301-117	1
16	9-325-00017	Mount Swivel - Gould #7301-116	1

DRIVE AXLE PARTS



ITEM NO.	PART NO.	DESCRIPTION	QTY.
0	2-900-00054	Drive Axle Parts - IC-180	Ref.
1	3-822-00271	Differential Carrier Assy.	1
2	9-822-00294	Bolt - IHC #583158C1	12
3	9-822-00323	Lockwasher - IHC #121574	12
4	9-822-00330	Axle Shaft Nut - IHC #19638R1	16
5	9-822-00331	Gasket - IHC #895493R2	2
6	9-822-00332	Outer Wheel Nut - IHC #157501R1	Ref.
7	9-822-00333	Axle Shaft - IHC #571350C2	2
8	9-822-00334	Breather - IHC #91916R91	1
9	9-822-00335	Plug - IHC #586049C1	1
10	0-570-20015	Sq. Hd. Pipe Plug 3/4 NPT	1
11	3-822-00265	Axle Housing Modification	1
12	9-822-00336	Bolt - IHC #26080R1	1
13	9-822-00337	Bolt - IHC #25790R1	1
14	9-822-00338	Plug - IHC #586048C1	1

DIFFERENTIAL CARRIER PARTS

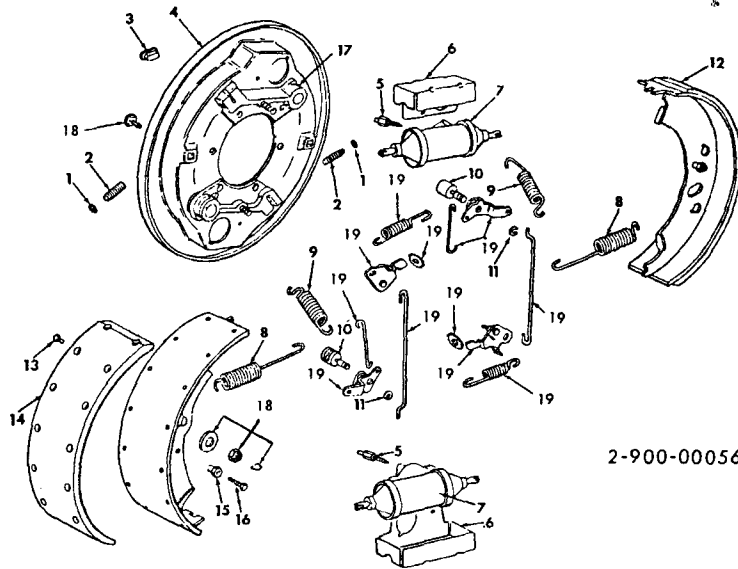


ITEM NO.	PART NO.	DESCRIPTION	QTY.
0	4-900-00053	Differential Carrier Parts - IC-180	Ref.
1	1-729-00586	Cover Plate	1
2	9-822-00266	Oil Scoop - IHC #868279R92	1
3	0-223-14101	S.T. Pan Hd. Screw #6 x 3/8" Lg.	3
4	9-822-00270	Shim .005 - IHC #592139C1	A/R
	9-822-00272	Shim .010 - IHC #592140C1	A/R
	9-822-00273	Shim .030 - IHC 3592141C1	A/R
5	9-822-00274	Plug - IHC #586045C1	1
6	9-822-00275	Thrust Washer - IHC #157494R1	2
7	9-822-00276	Adjuster Diff. Brg. - IHC #69208R1	2
8	9-822-00277	Side Gear - IHC #571354C1	2
9	9-822-00278	Bearing Cone - IHC #ST2162	2
10	9-822-00279	Bearing Cup - IHC #ST2161	2
11	9-822-00280	Lock - Diff. Brg. Adjuster #157491R2	2
12	9-822-00281	Cotter Pin - IHC #103407	2
13	9-822-00282	Bolt - IHC #157493R1	8
14	9-822-00283	Rivet - IHC #157490R1	12
15	9-822-00284	Differential Case Flange #505757C1	1
16	9-822-00285	Ring Gear - IHC #157561R1	1
17	9-822-00286	Differential Case - IHC #864358R2	1
18	9-822-00287	Spider Gear - IHC #864357R2	4
19	9-822-00288	Thrust Washer - IHC #864360R1	4
20	9-822-00289	Nut - IHC #274638	8
21	9-822-00290	Spider Shaft - IHC #864356R2	1
22	9-822-00291	Cap - IHC #161017R2	2

DIFFERENTIAL CARRIER PARTS

ITEM NO.	PART NO.	DESCRIPTION	QTY.
23	9-822-00292	Bolt - IHC #24895R1	4
24	9-822-00293	Washer - IHC #25712R1	4
25	3-822-00271	Differential Carrier Assembly	1
26	4-822-00268	Diff. Carrier Modification	1
27	9-822-00295	Bearing Assy - IHC #91082R91	1
28	9-822-00296	Pinion Gear - IHC #483440C1	1
29	9-822-00297	Spacer .718 - IHC #360453C1	A/R
	9-822-00298	Spacer .719 - IHC #360454C1	A/R
	9-822-00299	Spacer .720 - IHC #360455C1	A/R
	9-822-00300	Spacer .721 - IHC #360456C1	A/R
	9-822-00301	Spacer .722 - IHC #360457C1	A/R
	9-822-00302	Spacer .723 - IHC #360458C1	A/R
	9-822-00303	Spacer .724 - IHC #360459C1	A/R
	9-822-00304	Spacer .725 - IHC #360460C1	A/R
	9-822-00305	Spacer .726 - IHC #360461C1	A/R
	9-822-00306	Spacer .727 - IHC #360462C1	A/R
	9-822-00307	Spacer .728 - IHC #360463C1	A/R
	9-822-00308	Spacer .729 - IHC #360464C1	A/R
	9-822-00309	Spacer .730 - IHC #360465C1	A/R
	9-822-00310	Spacer .731 - IHC #360466C1	A/R
	9-822-00311	Spacer .732 - IHC #360467C1	A/R
	9-822-00312	Spacer .733 - IHC #360468C1	A/R
	9-822-00313	Spacer .734 - IHC #360469C1	A/R
	9-822-00314	Spacer .735 - IHC #360470C1	A/R
	9-822-00315	Spacer .736 - IHC #360471C1	A/R
	9-822-00316	Spacer .737 - IHC #393974C1	A/R
	9-822-00317	Spacer .738 - IHC #393975C1	A/R
	9-822-00318	Spacer .739 - IHC #393976C1	A/R
	9-822-00319	Spacer .740 - IHC #393977C1	A/R
	9-822-00320	Spacer .741 - IHC #393978C1	A/R
	9-822-00321	Spacer .742 - IHC #393979C1	A/R
30	9-822-00322	Bolt - IHC #584255C1	6
31	3-822-00267	Pinion Brg. Cage Modification	1
32	9-822-00324	Pinion Brg. Cage Assy. #591367C91	1
33	9-822-00325	Pinion Cup - IHC #356162C1	2
34	9-822-00326	Pinion Cone - IHC #356161C91	2
35	9-822-00327	Washer - IHC #390362R1	1
36	9-822-00328	Flange Nut - IHC #578881C1	1
37	0-333-20036	End Yoke - Spicer #4-4-4241	1
38	9-822-00329	Oil Seal Flange - IHC #464244C2	1

DRIVE AXLE BRAKE PARTS

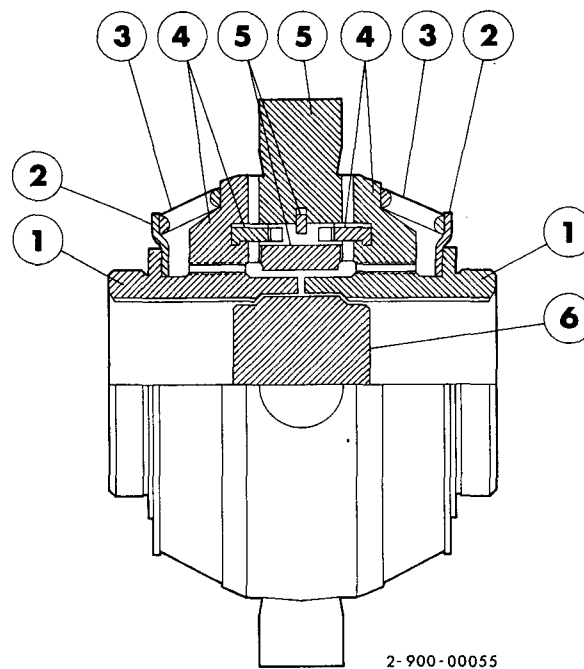


ITEM NO.	PART NO.	DESCRIPTION	QTY.
0	2-900-00056	Drive Axle Brake Parts - IC-180	Ref.
1	9-822-00339	Adj. Scr. Snap Ring #386-072-C1	4
2	9-822-00340	Scr. w/Snap Ring - L.H. #386-088-C11	2
	9-822-00341	Scr. w/Snap Ring - R.H. #386-089-C11	2
3	9-822-00342	Brake Adj. Hole Cover #131-033-R1	2
4	9-822-00343	Backing Plate - L.H. #571-253-C91	1
	9-822-00344	Backing Plate - R.H. #571-254-C91	1
	0-220-04007	Hex Hd. Bolt 1/2-13NC x 1-3/4" Lg.	8
	0-220-04008	Hex Hd. Bolt 1/2-13NC x 2-1/2" Lg.	8
	0-221-94002	Hex Lock Nut 1/2-13NC	16
	0-222-14001	Lockwasher 1/2 Dia.	16
5	9-822-00345	Bleeder Screw #254-468-C1	2
6	9-822-00346	Brake Cyl. Shield - L.H. #131-031-R91	2
	9-822-00347	Brake Cyl. Shield - R.H. #131-032-R91	2
7	9-822-00348	Brake Cylinder Assy #684-835-R91	4
	9-822-00349	Hex Hd. Bolt 5/16-18NC x 5/8" Lg.	4
	0-222-11001	Lockwasher 5/16 Dia.	4
	9-822-00350	Brake Cylinder Kit #135-284-R91	4
8	9-822-00351	Spring #131-028-R1	4
9	9-822-00352	Spring #131-027-R1	4
10	9-822-00353	Shoe Anchor Pin #386-092-C1	4
11	9-822-00354	Retainer #198-292-R1	4
12	9-822-00355	Brake Shoe w/Lining #386-103-C91	4
13	9-822-00356	Rivet #95-943-H	A/R
14	9-822-00357	Brake Lining w/Rivets #137-798-R93	4

DRIVE AXLE BRAKE PARTS (CONTINUED)

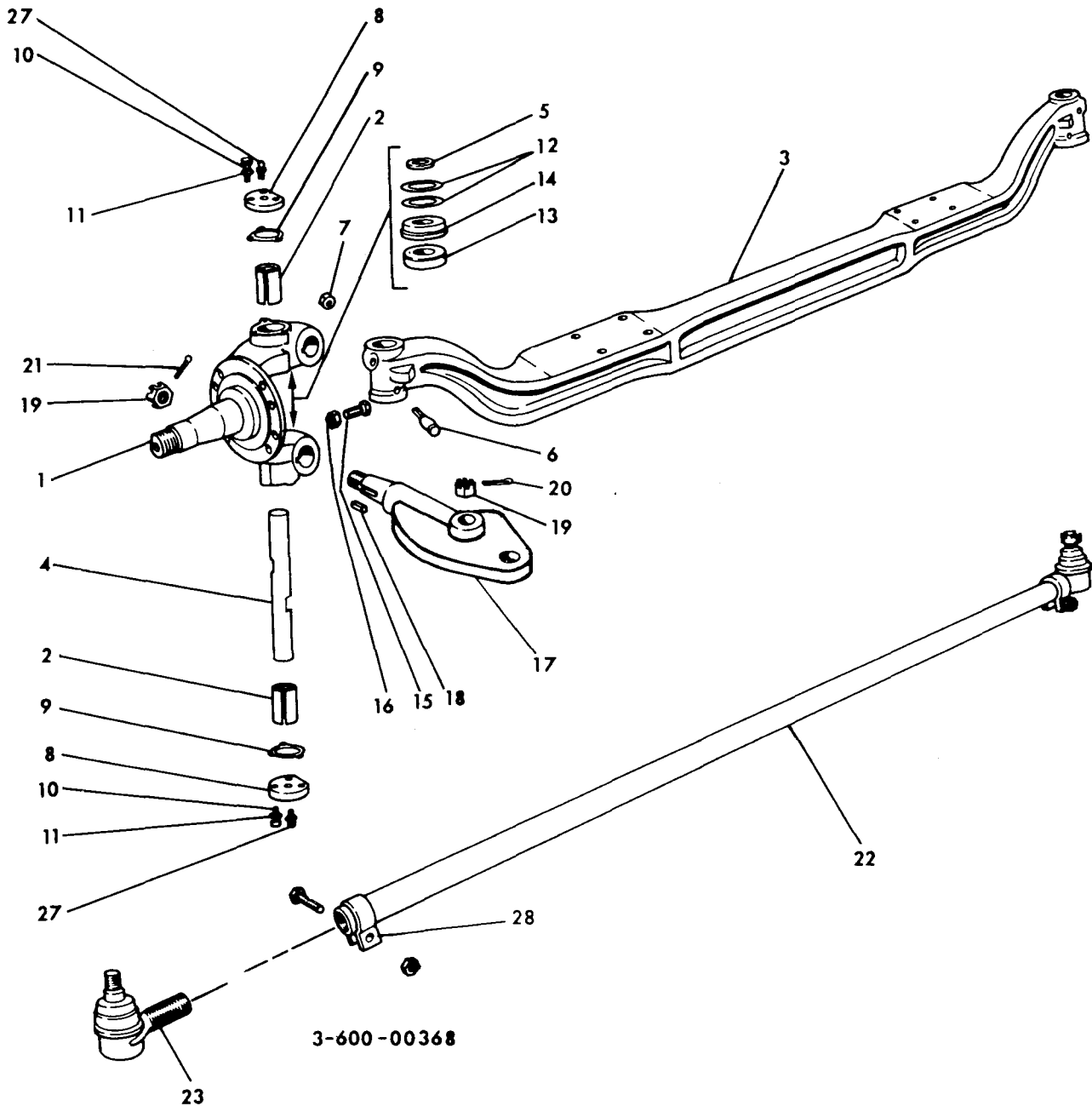
ITEM NO.	PART NO.	DESCRIPTION	QTY.
15	9-822-00358	Adj. Link Cam #386-075-C1	4
16	9-822-00359	Screw #128-226	4
17	9-822-00360	Shoe Anchor Support - L.H. #386-066-C91	1
	9-822-00361	Shoe Anchor Support - L.H. #386-068-C91	1
	9-822-00362	Shoe Anchor Support - R.H. #386-067-C91	1
	9-822-00363	Shoe Anchor Support - R.H. #386-069-C91	1
	9-822-00364	Support Rivet #138-216-R1	4
18	9-822-00365	Guide Bolt Kit #876-567-C91	2
19	9-822-00366	Self Adj. Brake Kit - L.H. #386-093-C91	1
	9-822-00367	Self Adj. Brake Kit - R.H. #386-094-C91	1

DIFFERENTIAL PARTS - NO SPIN



ITEM NO.	PART NO.	DESCRIPTION	QTY.
0	2-900-00055	No Spin Parts - IC-180	Ref.
1	9-779-00007	Side Gear #68541	2
2	9-779-00008	Retainer #66843	2
3	9-779-00009	Spring #66842	2
4	9-779-00010	Clutch Holddown Ring Assy #67468	2
5	9-779-00011	Spider Center Cam Assy #67054	1
6	9-779-00012	Spacer Block	1

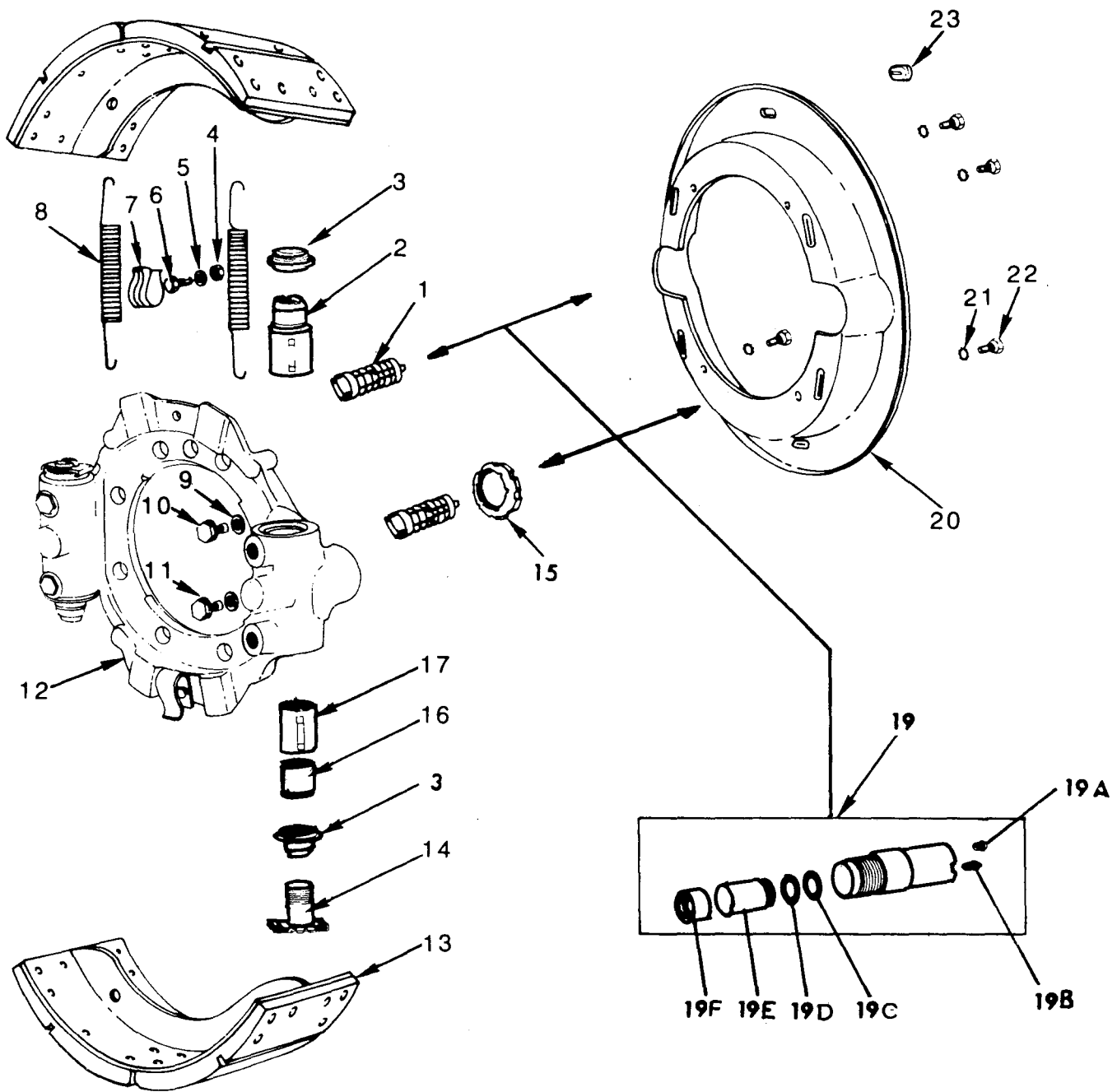
STEERING AXLE PARTS



ITEM NO.	PART NO.	DESCRIPTION	QTY.
0	3-600-00368	Steering Axle Parts RTR-160	Ref.
1	9-778-00512	Knuckle Assembly - Left - #A-3111-S-2307	1
	9-778-00513	Knuckle Assembly-Right - #A-3111-L-2300	1
2	9-778-00514	Bushing-Bronze #1225-L-818	4
3	9-778-00515	Center-Axle #3100-A-6215	1
4	9-778-00516	Pin - Knuckle #3101-V-178	2
5	9-778-00517	Seal Assembly - Oil #A-1205-Z-1429	4
6	9-778-00518	Key Upper #7-X-114	2
	9-778-00519	Key Lower #7-X-113	2
7	9-778-00520	Nut #1227-Z-780	4

STEERING AXLE PARTS

ITEM NO.	PART NO.	DESCRIPTION	QTY.
8	9-778-00521	Cap - King Pin #1199-M-3237	4
9	9-778-00522	Gasket #2208-R-824	4
10	9-778-00523	Capscrew #S-259-1	12
11	9-778-00524	Washer - Flat #1229-E-1669	12
12	9-778-00525	Shim .030 Thk. #2203-A-2835	2
	9-778-00526	Shim .015 thk. #2203-B-2836	2
	9-778-00527	Shim .010 thk. #2203-M-3003	2
	9-778-00528	Shim .005 thk. #2203-N-3004	2
13	9-778-00529	Bearing Thrust #T-208	2
14	9-778-00530	Oil Seal #A-1205-C-1433	2
15	9-778-00531	Screw #26-X-146	2
16	9-778-00532	Nut #N-110-1	2
17	1-778-00510	Arm - Cross Tube L.H. #3133-M-5136	1
	1-778-00511	Arm - Cross Tube R.H. #3133-N-5136	1
18	9-778-00533	Key #16-X-202	2
19	9-778-00534	Nut #13-X-159	4
20	9-778-00535	Cotter Pin #K-2618	2
21	9-778-00536	Cotter Pin #K-2412	2
22	9-778-00537	Tie Rod & Clamps #A-3102-A-3875	1
23	9-778-00538	End Assembly - Right #A-3144-Z-546	1
	9-778-00539	End Assembly - Left #A-3144-A-547	1
24	9-778-00540	Nut - Lock #NL-212-1	7
25	9-778-00541	Bolt/Capscrew #15-X-1573	7
26	9-778-00542	Washer - Hardened #1229-V-1556	14
27	9-778-00346	Grease Fitting #198-S-518	4

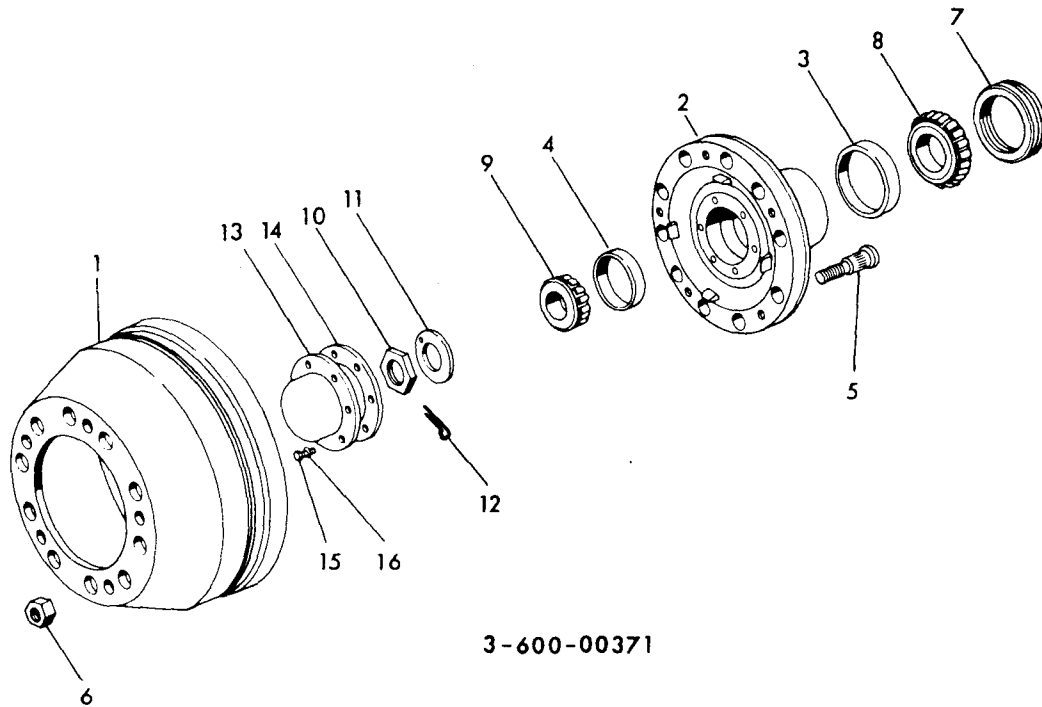


3-600-00370

BRAKE ASSEMBLY PARTS

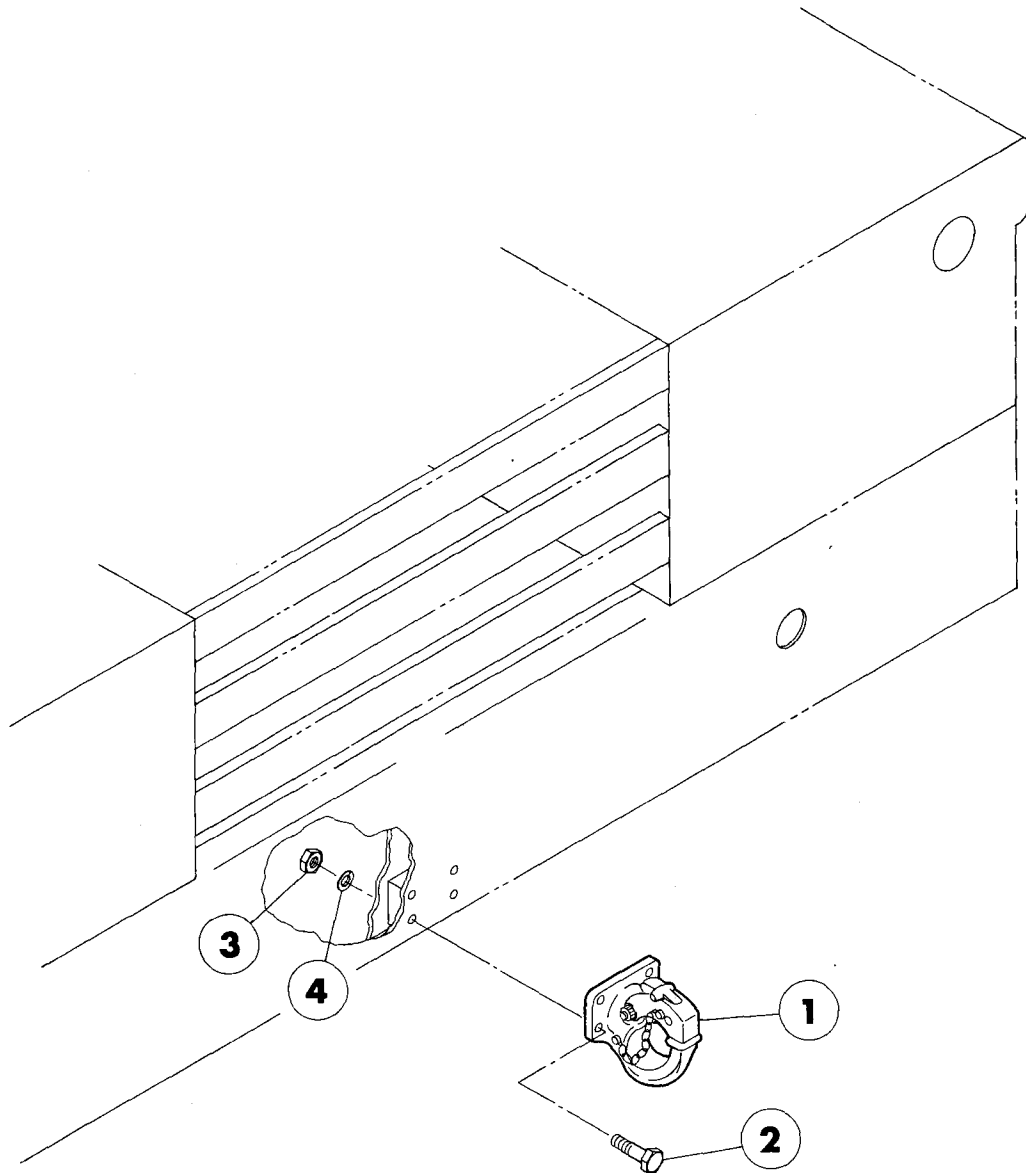
ITEM NO.	PART NO.	DESCRIPTION	QTY.
0	3-600-00370	Brake Assembly Parts	Ref.
1	9-778-00543	Wedge Assembly - Rockwell #A-2747-H-112	2
2	9-778-00544	Anchor Plunge L.H.-Rockwell #2797-C-419	1
	9-778-00545	Anchor Plunge R.H.-Rockwell #2797-B-418	1
3	9-778-00683	Diaphragm Seal - Rockwell #A-1705-K-219	2
4	9-778-00547	Nut-Hold Down Cup-Rockwell #N-14	2
5	9-778-00548	Washer-Hold Down Cup-Rockwell #WA-14C	2
6	9-778-00549	Bolt - Rockwell #S-146	2
7	9-778-00550	Hold Down Cup - Rockwell #1718-D-134	2
8	9-778-00551	Spring - Return - Rockwell #2758-W-127	2
9	9-778-00552	Gasket-Washer - Rockwell #1729-B-262	4
10	9-778-00553	Plunge Guide - Rockwell #1779-M-195	2
11	9-778-00554	Pawl Assy. - Rockwell #A-1199-Z-3432	2
12	9-778-00555	Spider L.H. - Rockwell #03211-Z-2314	1
	9-778-00556	Spider R.H. - Rockwell #03211-A-2315	1
13	9-778-00557	Shoe & Lining Assy-Rockwell #A6-3722-U-359	2
14	9-778-00558	Adj. Bolt Assy.-Rockwell #A-2297-L-3158	2
15	9-778-00562	Collet Nut - Rockwell #1727-N-40	2
16	9-778-00560	Auto.Adj.Actuator-Rockwell #A2297-N-3212	2
17	9-778-00561	Auto.Adj.Plunger - Rockwell #A2297-J-2376	2
18	9-778-00566	Plug - Rockwell #1707-B-2	1
19	9-778-00563	Hyd. Cyl. Assy.-Rockwell #A1-3761-Q-459	1
	9-778-00559	Hyd. Cyl. Assy.-Rockwell #A2-3761-Q-459	1
19A	9-778-00564	Tube Seat - Rockwell #1779-Z-156	1
19B	9-778-00565	Bleeder Screw - Rockwell #1779-Y-155	1
19C	9-778-00567	"O" Ring - Rockwell #1205-E-1487	1
19D	9-778-00568	Back-up Ring - Rockwell #2797-K-583	1
19E	9-778-00569	Piston - Rockwell #2730-U-203	1
19F	9-778-00570	Piston - Rockwell #2730-U-151	1
19G	9-778-00571	Repair Kit - Rockwell Kit #1701	1
20	9-778-00572	Dustshield - Rockwell #3236-E-1799	1
21	9-778-00573	Washer - Rockwell #1229-S-513	4
22	9-778-00574	Bolt - Rockwell #S-255	4
23	9-778-00575	Plug - Rockwell #1707-C-3	4

STEERING AXLE PARTS

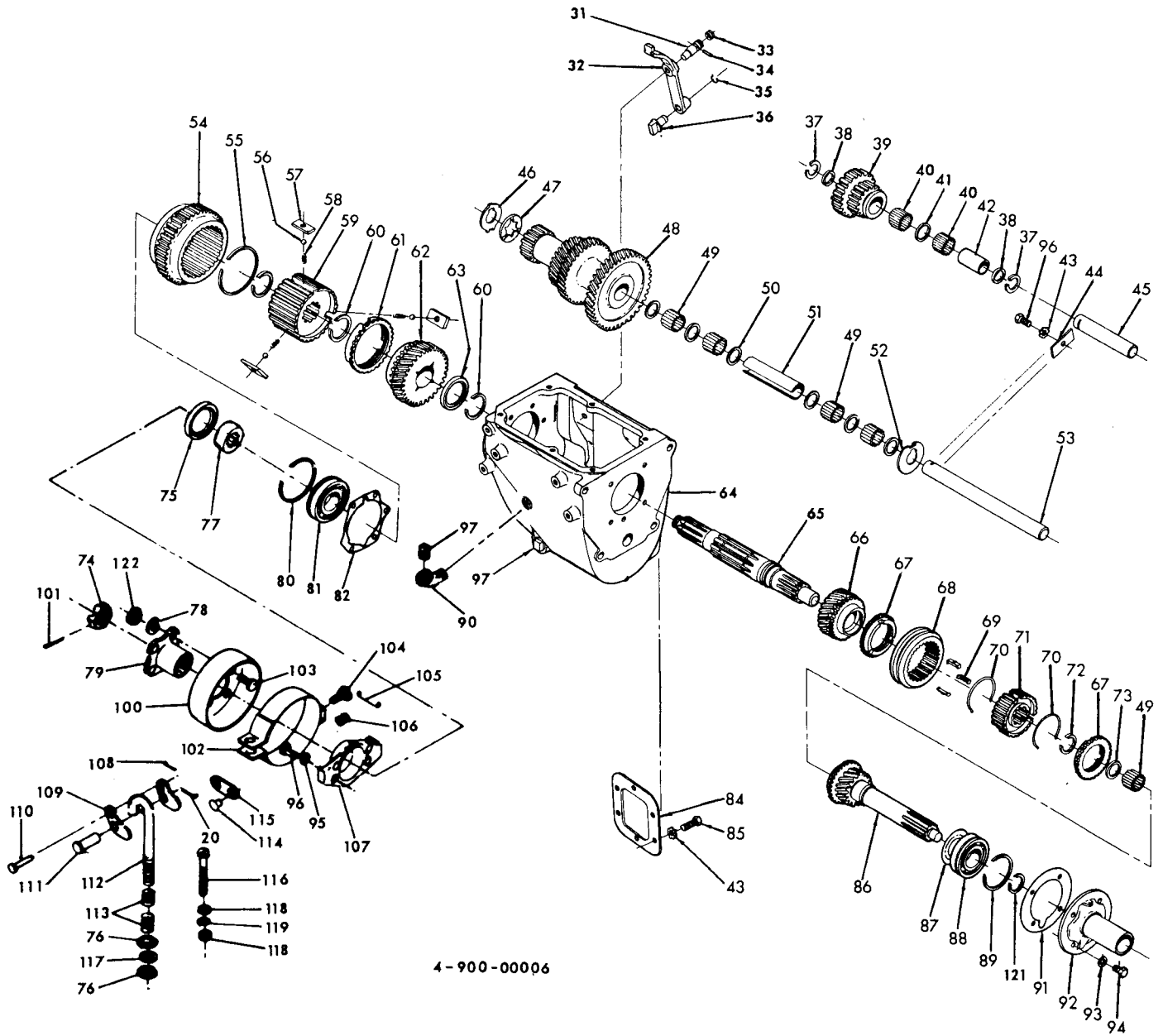
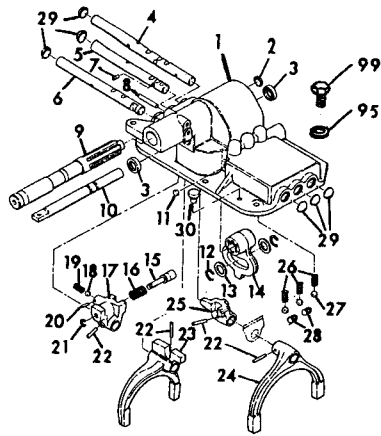


ITEM NO.	PART NO.	DESCRIPTION	QTY.
0	3-600-00371	Hub Assembly Parts	Ref.
1	9-778-00576	Drum - Brake - Rockwell #3219-A-3979	2
2	9-778-00577	Hub Left & Right - Rockwell #333-V-2648	2
3	9-778-00578	Bearing Cup-Inner-Rockwell #6420	2
4	9-778-00579	Bearing Cup-Outer-Rockwell #552A	2
5	9-778-00580	Stud-Wheel L.H.-Rockwell 20X1475	10
	9-778-00581	Stud-Wheel R.H.-Rockwell 20X1476	10
6	9-778-00298	Nut-Wheel L.H.-Rockwell #1199-M-117	10
	9-778-00297	Nut-Wheel R.H.-Rockwell #1199-N-118	10
7	9-778-00584	Seal Assy.-Oil - Rockwell #1205-M-1339	2
8	9-778-00585	Bearing Cone-Inner-Rockwell #6461A	2
9	9-778-00586	Bearing Cone-Outer-Rockwell #555S	2
10	9-778-00587	Nut-Wheel Brg. - Rockwell #1227-Y-571	2
11	9-778-00588	Washer-Flat - Rockwell #1229-C-1693	2
12	9-778-00589	Cotter Pin - Rockwell #K-2824	2
13	9-778-00590	Cap - Hub - Rockwell #3262-W-75	2
14	9-778-00591	Gasket - Rockwell #2208-N-820	2
15	9-778-00592	Capscrew - Rockwell S-254-1	12
16	9-778-00593	Washer - Flat - Rockwell #1229-E-1669	12

PINTLE HOOK INSTALLATION (PH-8)



ITEM NO.	PART NO.	DESCRIPTION	QTY.
0	3-600-00453	Pintle Hook Installation RTR-180	Ref.
1	0-209-00219	Hitch - Holland #T-60-A0L	1
2	0-220-04008	Hex Hd. Bolt 1/2-13NC x 2-1/2" Lg.	4
3	0-221-94002	Hex Lock Nut 1/2-13NC	4
4	0-222-14001	Lockwasher 1/2 Dia.	4



4-900-00006

MANUAL TRANSMISSION PARTS - WARNER GEAR

ITEM NO.	PART NO.	DESCRIPTION	BW#	QTY.
0	4-900-00035	Manual Trans. Parts Warner Gear		Ref.
1	9-107-00008	Housing Control	T98-148E	1
2	9-107-00010	Plug - Expansion 11/16	0000117612	1
3	9-107-00013	Oil Seal	T90A-108	2
4	9-107-00020	Shift Rail - Low & 2nd	T18-21	1
5	9-107-00022	Shift Rail - Third & Direct	T18-20	1
6	9-107-00218	Shift Rail - Rev.	T98A-99A	1
7	9-107-00230	Pin - Interlock	T97-86	1
8	9-107-00006	Groove Pin	R1-84N	1
9	9-107-00005	Shaft - Shifting	T9-57P	1
10	9-107-00268	Shaft - Cross Shift	T9-63P	1
11	9-107-00007	3/8 Taper Plug	4572D	1
12	9-107-00015	Snap - Ring	T9-58P	2
13	9-107-00016	Washer - Lever	T9-59P	2
14	9-107-00014	Shift Lever Inner	T9-56P	1
15	9-107-00231	Plunger - Rev.	T18-40	1
16	9-107-00232	Spring - Rev. Plunger	T9A-39	1
17	9-107-00219	Shift Rail End	T18-37	1
18	9-107-00233	1/4 Dia. Steel Ball	10-00-109-001	1
19	9-107-00234	Spring - Poppet	4750	1
20	9-107-00221	Cotter Pin 1/8 x 7/8	0000108630	2
21	9-107-00220	"C" Washer	4747B	1
22	9-107-00222	Pin - Spring 3/16 x 1-1/8	0000273503	4
23	9-107-00217	Shift Fork 3rd & Direct	T98A-23	1
24	9-107-00213	Shift Fork 1st & 2nd	T98A-24	1
25	9-107-00269	End-Shift Rail 1st & 2nd	13-01-096-011	1
26	9-107-00215	Spring - Poppet	T8B-42	3
27	9-107-00019	3/8 Dia. Steel Ball	0000453593	3
28	9-107-00024	Plunger - Interlock	T8-86	2
29	9-107-00011	Expansion Plug	0000103892	6
30	9-107-00009	Breather Assy.	T94-95	1
31	9-107-00223	Shifting Arm Pivot	T98-55N	1
32	9-107-00224	Arm - Shifting Rev.	T98-54N	1
33	9-107-00225	Oil Seal	T89B-108	1
34	9-107-00226	Pin - Taper	0000103565	1
35	9-107-00227	"C" Washer	4747A	1
36	9-107-00228	Rev. Shift Shoe	T19-51	1
37	9-107-00270	Snap Ring	4828F	2
38	9-107-00235	Thrustwasher (Idler)	T98-84A	2
39	9-107-00236	Gear - Rev. Idler	T18-10	1

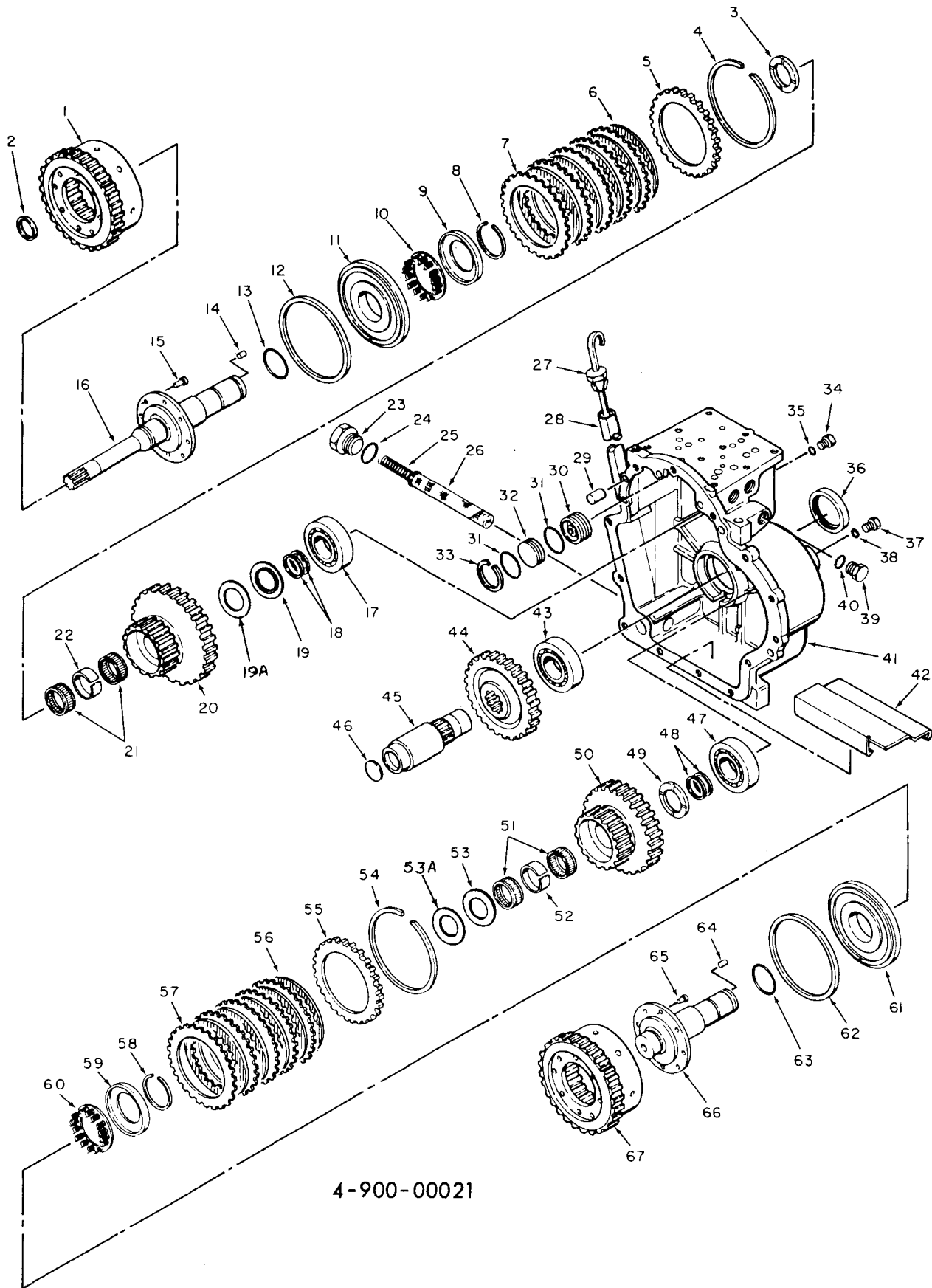
MANUAL TRANSMISSION PARTS - WARNER GEAR

ITEM NO.	PART NO.	DESCRIPTION	BW #	QTY.
40	9-107-00238	Bearing Roller	F1-42	74
41	9-107-00271	Spacer (Bearing)	T98-87A	1
42	9-107-00239	Sleeve Shaft	T98-85A	1
43	9-107-00034	Lockwasher 3/8	0000114606	7
44	9-107-00240	Lockplate	4501	1
45	9-107-00272	Revere Idler Shaft	T97-35	1
46	9-107-00025	Thrustwasher	T18-33	1
47	9-107-00026	Thrustwasher	T18-32	1
48	9-107-00027	Gear - Countershaft	T18-8	1
49	9-107-00028	Bearing Roller	T97-106	110
50	9-107-00029	Spacer Bearing	T97-29	1
51	9-107-00030	Spacer Bearing Tube	T98-28A	1
52	9-107-00032	Thrustwasher	T98-30	1
53	9-107-00033	Countershaft	T18-3	1
54	9-107-00036	Low & Second Speed Gear	T18-12	1
55	9-107-00037	Ring Retaining	4773	1
56	9-107-00019	3/8 Dia. Steel Ball	0000453593	3
57	9-107-00039	Shifting Plate	T98-82	3
58	9-107-00040	Spring	T87D-42A	3
59	9-107-00041	Clutch Hub	T98-80	1
60	9-107-00042	Snap Ring	4745D	3
61	9-107-00043	Sync. Blocking Ring	T98-83	1
62	9-107-00042	Second Speed Gear	T18-31	1
63	9-107-00045	Thrustwasher	T98-63	1
64	9-107-00243	Transmission Case	13-01-065-005	1
65	9-107-00047	Main Shaft	T18-2C	1
66	9-107-00048	Third Spd. Gear	T18-11	1
67	9-107-00049	Synchronizer Blocking Ring	T87D-14	2
68	9-107-00050	2nd & Direct Spd Clutch Slv.	T87D-15A	1
69	9-107-00051	Shifting Plate	T95-13	3
70	9-107-00259	Synchronizer Spring	4682AN	2
71	9-107-00053	3rd & High Clutch Hub	T87D-2 1/2C	1
72	9-107-00054	Snap Ring	4746	1
73	9-107-00029	Bearing Spacer	T97-29	1
74	9-107-00077	Main Shaft Nut	4775 W	1
75	9-107-00058	Oil Seal	T9-110	1
76	0-221-03001	Hex Nut 7/16-14		2
77	9-107-00060	Speedometer Gear Spacer	T18-75Y2	1
78	0-222-14001	Lockwasher 1/2 Dia.		4
79	0-333-20025	Flange - Spicer #4-1-2701		1

MANUAL TRANSMISSION PARTS - WARNER GEAR

ITEM NO.	PART NO.	DESCRIPTION	BW #	QTY.
80	9-107-00065	Snap Ring	4745E	1
81	9-107-00066	Annular Brg.	B308AG	1
82	9-107-00067	Main Shaft Brg.Ret. Gasket	T98-145Y2C	1
83	9-107-00273	Bearing Spacer Ring	4774	NI
84	9-107-00069	PTO Cover	T53-160B	1
85	9-107-00248	Hex Hd. Bolt 3/8-16 x 5/8 Lg.	0000179835	6
86	9-107-00249	Main Drive Gear	T18-16C	1
87	9-107-00071	Main Drive Gear Oil Baffle	T90A-136A	1
88	9-107-00250	Annular Bearing	B308AMG	1
89	9-107-00065	Snap Ring	4745E	1
90	0-570-34002	Street Elbow 45° x 3/4		1
91	9-107-00251	Gasket	T98-145C	1
92	9-107-00252	Main Drive Gear Brg. Ret.	T98-6N	1
93	9-107-00253	Lockwasher 5/16	0000114605	4
94	9-107-00255	Hex Hd. Bolt 5/16-18 x 3/4 Lg	0000179817	4
95	9-107-00034	Lockwasher 3/8	0000114606	8
96	9-107-00257	Hex Hd. Bolt 3/8-16 x 3/4 Lg.	0000179835	3
97	9-107-00258	3/4 Pipe Plug	0000444592	2
*98	9-107-00274	Plug-Speedometer Outlet	4646	NI
99	9-107-00267	Hex Hd. Bolt 3/8-16 x 7/8 Lg.	10-00-183-040	6
100	2-600-65009	Brake Drum Modification		1
101	9-107-00089	Cotter Pin 1/8 x 1-3/4 Lg.	0000103388	1
102	9-107-00061	Brake Band Lining	A24-10D	1
103	0-220-14013	Hex Hd. Bolt 1/2-20NF x 1-3/4" Lg. Gr. 8		4
104	9-107-00081	Anchor Clip Screw	X821K	1
105	9-107-00082	18 Ga. Safety Wire		5"
106	9-107-00083	Brake Anchor Clip Spring		1
107	9-107-00084	Main Shaft Brg. Ret.	T98-7H	1
108	0-224-01002	Cotter Pin 3/32 x 3/4 Lg.		1
109	9-107-00064	Brake Cam Lever	A22-2D	2
110	9-107-00059	Yoke End Pin 3/8 x 1-1/16	X1288	1
111	9-107-00057	Yoke End Pin 1/2 x 1-3/16	X1290F	1
112	9-107-00055	Brake Adjusting Bolt	A22-7A	1
113	9-107-00038	Brake Release Spring	A26-9	2
114	9-107-00086	Rivet 3/8	4429E	1
115	9-107-00085	Brake Spacer Link	A23-20H	1
116	9-107-00087	Fill Hd. Screw 1/4-20x2-3/4	4667	1
117	9-107-00018	Spring - Poppet	T87D-42	3
118	0-221-00001	Hex Nut 1/4-20		2
119	0-222-10001	Lockwasher 1/4		1
*120	9-107-00275	Bushing	T54A-172	NI
121	9-107-00074	Snap Ring	4816A	1
	9-107-00073	Snap Ring	4816	1
	9-107-00075	Snap Ring	4816B	1
	9-107-00076	Snap Ring	4816C	1
122	0-221-14005	Hex Nut 1/2-20NF Grade C		4

*Not Shown



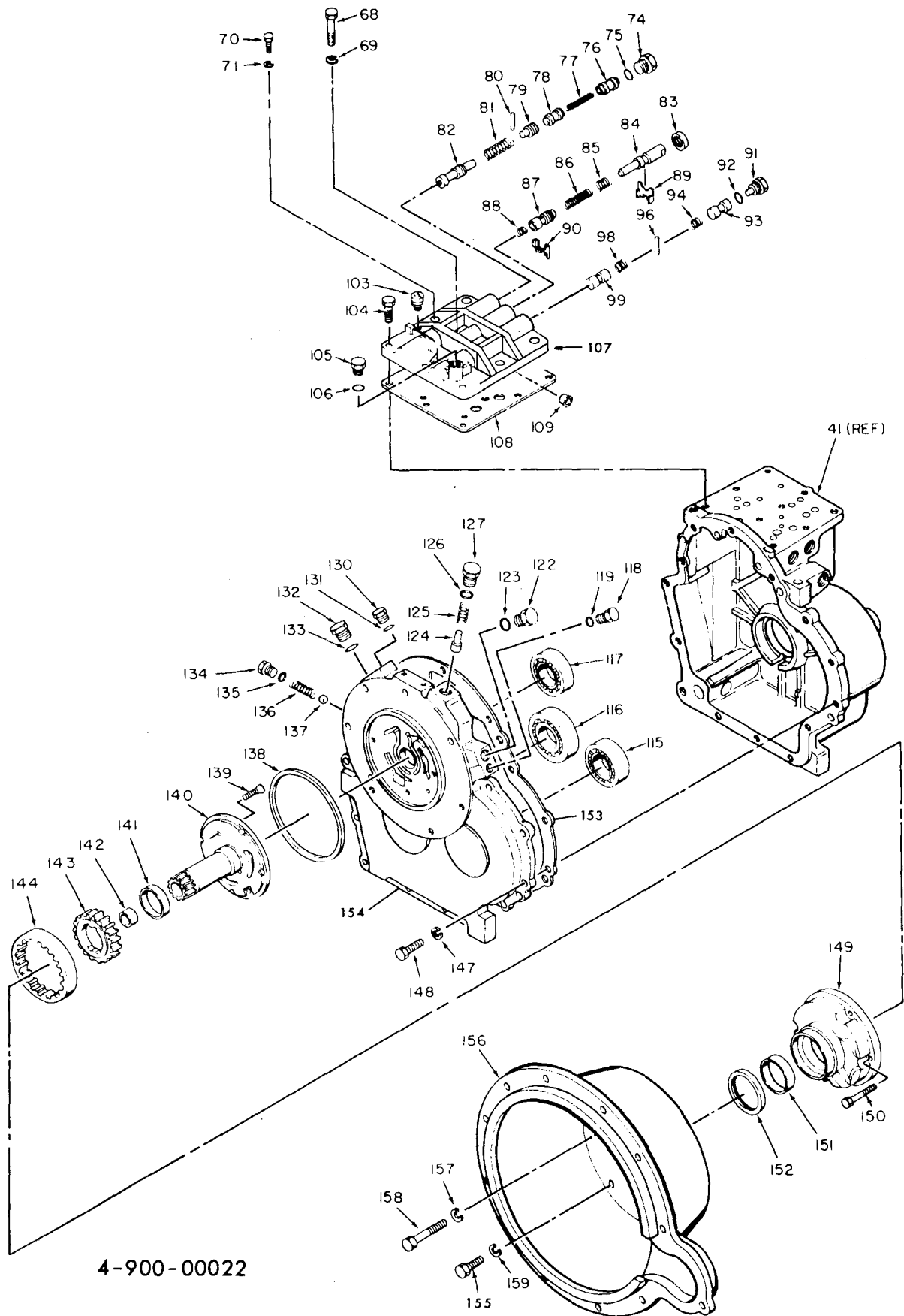
4-900-00021

PRI TRANSMISSION PARTS - R.H.

ITEM NO.	PART NO.	DESCRIPTION	BW #	QTY.
0	4-900-00021	PRI Transmission Parts - R.H.		Ref.
1	9-107-00288	Reverse Clutch Cylinder	10-21-125-001	1
2	9-107-00289	Sealing Ring	4806C	1
3	9-107-00290	Thrust Washer	10-21-193-002	1
4	9-107-00291	Snap Ring	10-00-139-020	1
5	9-107-00292	Clutch Pressure Plate	10-21-062-002	1
6	9-107-00293	Friction Plate	10-21-666-002	5
7	9-107-00294	Steel Plate	10-21-166-001	5
8	9-107-00295	Snap Ring	14-00-139-020	1
9	9-107-00296	Spring Retainer	10-21-040-002	1
10	9-107-00297	Spring & Retainer Assy	10-21-540-001	1
11	9-107-00298	Clutch Piston	10-21-124-001	1
12	9-107-00299	Sealing Ring	10-00-016-013	1
13	9-107-00300	Sealing Ring	4804FF	2
14	9-107-00301	Plug	0009421742	1
15	9-107-00302	Rivet	10-00-020-002	8
16	9-107-00303	Input Shaft	10-21-189-001	1
17	9-107-00304	Annular Bearing	B307A	1
18	9-107-00289	Sealing Ring	4806C	2
19	9-107-00305	Thrust Washer	10-21-193-004	1
19A	9-107-00306	Thrust Washer	10-21-193-003	1
20	9-107-00307	Clutch Gear	10-21-080-002	1
21	9-107-00308	Needle Bearing	10-00-132-033	2
22	9-107-00309	Needle Bearing Spacer	10-00-053-009	1
23	9-107-00310	Plug	10-00-052-025	1
24	9-107-00311	"O" Ring	0000274251	1
25	9-107-00312	Spring	10-21-156-003	1
26	9-107-00313	Oil Strainer	10-21-238-001	1
27	9-107-00314	Dipstick	10-21-559-002	1
28	9-107-00315	Dipstick Tube	10-21-034-005	1
29	9-107-00316	Dowel Pin	0000141281	2
30	9-107-00317	Accumulator Piston	10-21-124-002	1
31	9-107-00300	Sealing Ring	4804FF	2
32	9-107-00318	Piston Plate	10-21-062-003	1
33	9-107-00319	Snap Ring	10-00-139-026	1
34	9-107-00320	Plug	0009410355	1
35	9-107-00321	"O" Ring	0000274243	1
36	9-107-00322	Oil Sealing	T11-110	2
37	9-107-00320	Plug	0009410355	1
38	9-107-00321	"O" Ring	0000274243	1

PR1 TRANSMISSION PARTS - R.H.

ITEM NO.	PART NO.	DESCRIPTION	BW #	QTY.
39	9-107-00323	Plug	0009410359	3
40	9-107-00324	"O" Ring	0000274247	3
41	9-107-00325	Transmission Case	10-21-065-007	1
42	9-107-00326	Oil Baffle	10-21-036-0003	1
43	9-107-00327	Annular Bearing	B209A	1
44	9-107-00328	Output Shaft Gear	10-21-070-002	1
45	9-107-00329	Output Shaft	10-21-171-004	1
46	9-107-00330	Plug	0000117923	1
47	9-107-00304	Annular Bearing	B307A	1
48	9-107-00289	Sealing Ring	4806C	2
49	9-107-00331	Thrust Washer	10-21-193-001	1
50	9-107-00307	Clutch Gear	10-21-080-002	1
51	9-107-00308	Needle Bearing	10-00-132-033	2
52	9-107-00309	Needle Brg. Spacer	10-00-053-009	1
53	9-107-00306	Thrust Washer	10-21-193-003	1
53A	9-107-00333	Thrust Washer	10-21-193-005	1
54	9-107-00291	Snap Ring	10-00-139-020	1
55	9-107-00292	Clutch Pressure Plate	10-21-062-002	1
56	9-107-00293	Friction Plate	10-21-666-004	5
57	9-107-00294	Steel Plate	10-21-166-001	5
58	9-107-00295	Snap Ring	14-00-139-020	1
59	9-107-00296	Spring Retainer	10-21-040-002	1
60	9-107-00297	Spring & Retainer Assy	10-21-540-001	1
61	9-107-00298	Clutch Piston	10-21-124-001	1
62	9-107-00299	Sealing Ring	10-00-016-013	1
63	9-107-00300	Sealing Ring	4804FF	1
64	9-107-00301	Plug	0009421742	1
65	9-107-00302	Rivet	10-00-020-002	8
66	9-107-00333	Forward Shaft	10-21-067-001	1
67	9-107-00334	Forward Clutch Cylinder	10-21-125-002	1



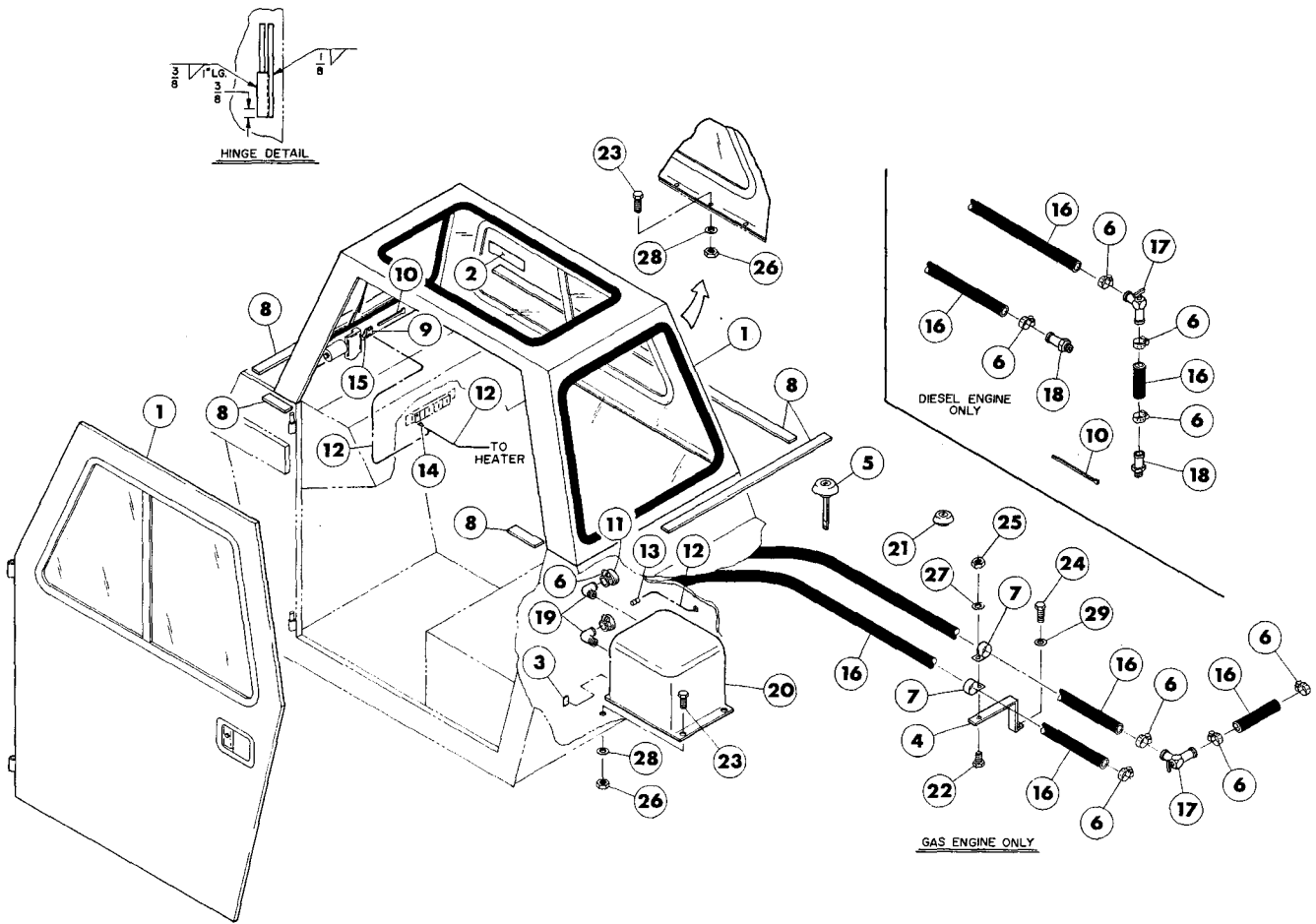
4-900-00022

PRI TRANSMISSION PARTS - L.H.

ITEM NO.	PART NO.	DESCRIPTION	BW#	QTY.
0	4-900-00022	PRI Transmission Parts - L.H.		Ref.
68	0-220-01009	Hex Hd. Bolt 5/16-18NC x 2-1/4 Lg.		3
69	0-222-11001	Lockwasher 5/16 Dia.		3
70	0-220-00016	Hex Hd. Bolt 1/4-20NC x 5/8" Lg.		12
71	0-222-10001	Lockwasher 1/4 Dia.		12
74	9-107-00323	Plug	0009410359	1
75	9-107-00324	"O" Ring	0000274247	1
76	9-107-00335	Relief Valve	10-21-237-004	1
77	9-107-00336	Accumulator Relief Spring	10-21-156-007	1
78	9-107-00335	Relief Valve	10-21-237-004	1
79	9-107-00337	Valve Stop	10-21-040-004	1
80	9-107-00338	Pin	F1-42	1
81	9-107-00339	Regulator Spring	10-21-156-005	1
82	9-107-00340	Regulator Valve	10-21-237-002	1
83	9-107-00341	Oil Seal	T11-108	2
84	9-107-00342	Inching Valve Plunger	10-21-239-002	1
85	9-107-00343	Outer Spring	T11-238A	1
86	9-107-00344	Inner Spring	T11-288	1
87	9-107-00345	Inching Valve	10-08-237-002	1
88	9-107-00346	Locator Spring	T11-215	1
89	9-107-00347	Inching Valve Plunger Stop	10-21-040-006	1
90	9-107-00348	Inching Valve Stop	10-21-040-005	1
91	9-107-00349	Plug	10-00-052-028	1
92	9-107-00324	"O" Ring	0000274247	1
93	9-107-00351	Valve Selector	10-21-239-001	1
94	9-107-00350	Spring	10-21-156-004	1
96	9-107-00338	Pin	F1-42	1
98	9-107-00350	Spring	10-21-156-004	1
99	9-107-00351	Valve Selector	10-21-239-001	1
103	9-107-00352	Breather	T94-95	1
104	9-107-00353	Bolt	0000179819	7
105	9-107-00354	Plug	0009410358	1
106	9-107-00355	"O" Ring	0000274246	1
107	9-107-00356	Valve Body	10-21-236-003	1
107	9-107-00357	Valve Body Assy.	10-21-736-007	1
108	9-107-00358	Gasket	10-21-045-007	1
109	9-107-00359	Cup Plug	0009421742	1
115	9-107-00360	Annular Bearing	B207A	1
116	9-107-00327	Annular Bearing	B209A	1
117	9-107-00360	Annular Bearing	B207A	1

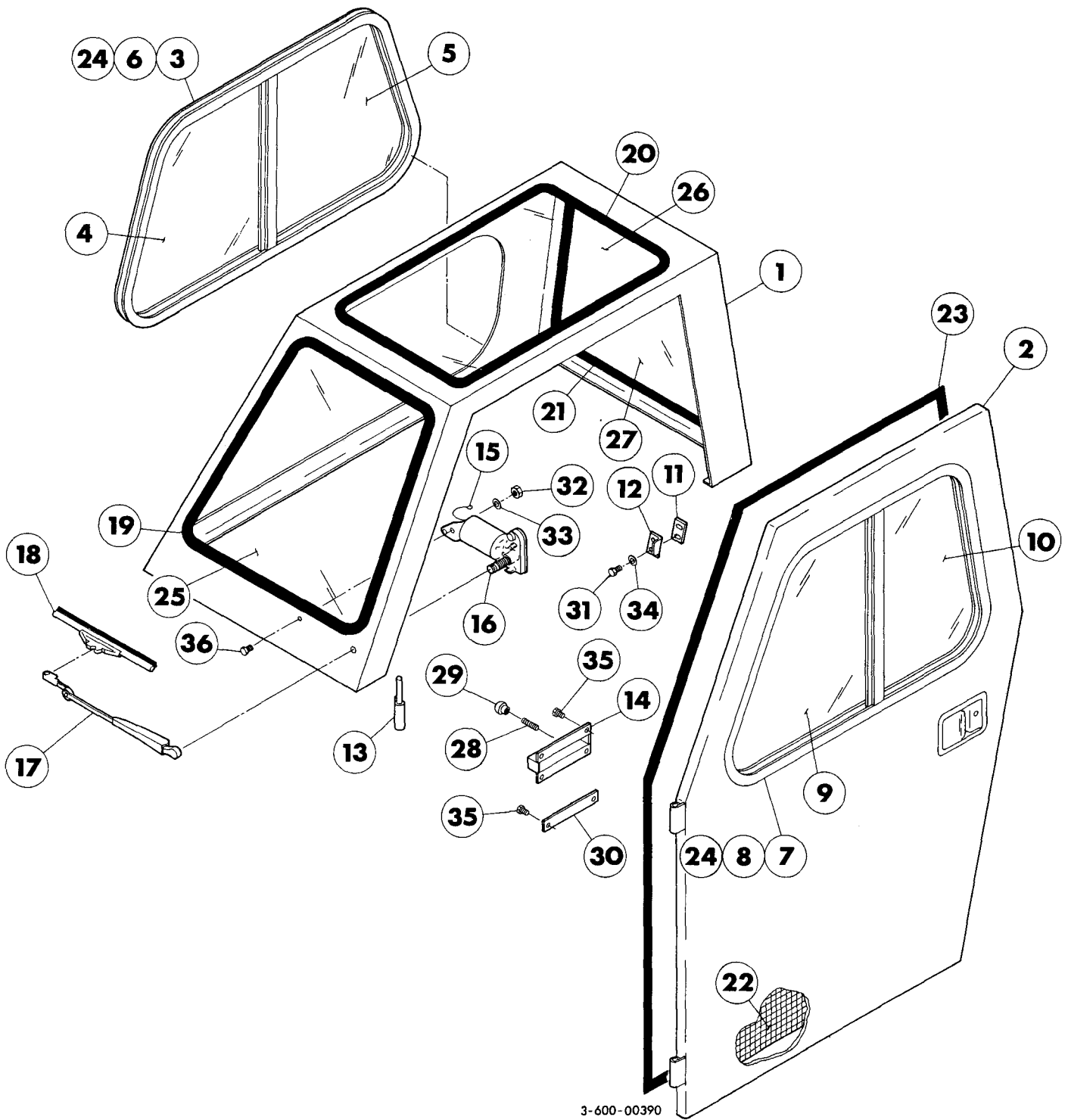
PR1 TRANSMISSION PARTS - L.H.

ITEM NO.	PART NO.	DESCRIPTION	BW #	QTY.
118	9-107-00354	Plug	0009410358	1
119	9-107-00321	"0" Ring	0000274243	1
122	9-107-00323	Plug	0009410359	1
123	9-107-00324	"0" Ring	0000274247	1
124	9-107-00361	Converter Regulator Valve	10-21-237-001	1
125	9-107-00362	CRV Spring	10-21-156-001	1
126	9-107-00324	"0" Ring	0000274247	1
127	9-107-00323	Plug	0009410359	1
130	9-107-00354	Plug	0009410358	1
131	9-107-00321	"0" Ring	0000274243	1
132	9-107-00323	Plug	0009410359	1
133	9-107-00324	"0" Ring	0000274247	1
134	9-107-00354	Plug	0009410358	1
135	9-107-00321	"0" Ring	0000274243	1
136	9-107-00363	CRV Spring	10-01-156-001	1
137	9-107-00364	Steel Ball	0000453593	1
138	9-107-00365	Pump Gasket	3-61	1
139	9-107-00366	Screw	0000110533	1
140	9-107-00367	Stator Support	10-21-007-001	1
141	9-107-00368	Pump Bushing	3-22C	1
142	9-107-00369	Stator Support Bushing	7B-23	1
143	9-107-00370	Drive Gear	3-64C	1
144	9-107-00371	Driven Gear	3-63A	1
147	0-222-12001	Lockwasher 3/8 Dia.		10
148	0-220-02002	Hex Hd. Bolt 3/8-16NC x 1-1/4" Lg.		10
149	9-107-00374	Pump Body	3-60C	1
150	9-107-00375	Bolt	0000179825	4
151	9-107-00376	Pump Body Bushing	5X-26	1
152	9-107-00377	Oil Seal	10-00-044-020	1
153	9-107-00372	Gasket	10-22-045-003	1
154	9-107-00373	Front Cover	10-21-107-001	1
155	9-107-00380	Bolt	0000179860	3
156	9-107-00379	Converter Housing	10-22-212-005	1
157	0-222-13002	Lockwasher 7/16 Dia.		4
158	0-220-03010	Hex Hd. Bolt 7/16-14NC x 2-1/2" Lg.		4
159	0-222-13002	Lockwasher 7/16 Dia.		3



CAB AND HEATER INSTALLATION (WC-18 & 19)

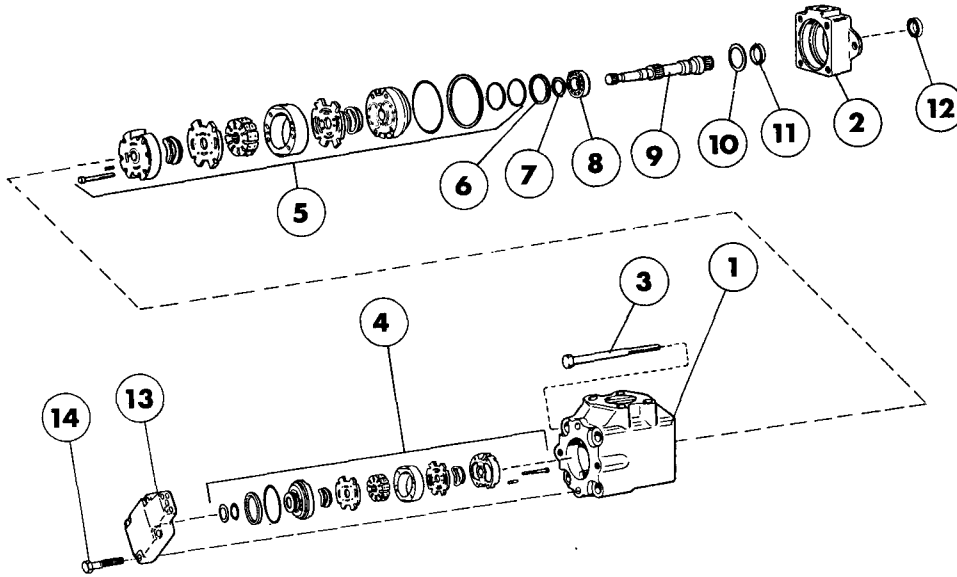
ITEM NO.	PART NO.	DESCRIPTION	QTY.
0	4-600-00497	Cab & Heater Installation (WC-18 & 19)	Ref.
1	5-600-93052	Cab	1
2	1-650-00208	Warning Placard	1
3	1-650-00223	Heater Placard	1
4	2-783-00173	Support Bar - Gas	1
5	1-875-90058	Cap Modification (Locking)	1
6	0-201-00016	Hose Clamp - Gates #10	6
7	0-201-00040	Hose Clamp - Aeroquip #900729-8 - Gas	2
8	0-209-00027	Rubber Strip - Durkee Atwood #3850	7.5'
9	0-209-00062	Ty-Rap Mtg. Base #TC5342A	1
10	0-209-00063	Ty-Rap Cable Tie #TY525M-7"	2
11	0-209-00218	Grommet #AN931-C16-22	2
12	0-400-01302	Wire - 16 Gauge	2.5'
13	0-400-02202	Wire Connector - API #34071	1
14	0-400-02203	Female Slide Connector - Whitaker #2891	1
15	0-400-02213	Eye Terminal - Whitaker #2825	1
16	0-503-43002	Hose 5/8 I.D. Gates #4419	14'
17	0-570-90008	Shut Off Valve 90°	1
18	0-570-90021	Nipple 1/4 NPT to 5/8 ID Hose - Diesel	2
19	0-570-90025	Nipple 90° 3/8 NPT to 5/8 ID Hose	2
20	0-600-93007	Heater - Evans #HV211348 Mod. ER-73	1
21	0-875-90012	Cap (Locking) - Stant #ACC-1381	1
22	0-220-00003	Hex Hd. Bolt 1/4-20NC x 3/4" Lg. - Gas	1
23	0-220-01004	Hex Hd. Bolt 5/16-18NC x 3/4" Lg.	15
24	0-220-02012	Hex Hd. Bolt 3/8NC x 5/8" Lg. - Gas	1
25	0-221-00001	Hex Nut 1/4-20NC - Gas	1
26	0-221-01001	Hex Nut 5/16-18NC	15
27	0-222-10001	Lockwasher 1/4 Dia. - Gas	1
28	0-222-11001	Lockwasher 5/16 Dia.	15
29	0-222-12001	Lockwasher 3/8 Dia. - Gas	1



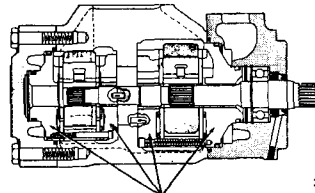
CAB PARTS

ITEM NO.	PART NO.	DESCRIPTION	QTY.
0	3-600-00390	Cab Parts Breakdown	Ref.
1	9-299-00163	Cab Welded Assembly F.V. #103-11-1	1
2	9-299-00164	Door Welded Assembly F.V. #52-4-1	1
3	9-299-00165	Cab Sliding Window F.V. #52-43-1	Ref.
4	9-299-00166	Sliding Glass F.V. #52-46-1	1
5	9-299-00167	Stationary Glass F.V. #52-47-1	1
6	9-299-00168	Cab Sliding Window Frame #52-50-1	1
7	9-299-00169	Door Sliding Window F.V. #52-10-1	Ref.
8	9-299-00170	Door Sliding Window Frame F.V. #52-51-1	1
9	9-299-00171	Slider Glass - Door F.V. #52-48-1	1
10	9-299-00172	Stationary Glass - Door F.V. #52-49-1	1
11	9-299-00173	Door Latch Spacer F.V. #52-52-1	1
12	9-299-00174	Door Latch F.V. #52-5-1	1
13	9-299-00175	Hinge Assembly F.V. #52-38-1	2
14	9-299-00176	Door Latch Cover Plate F.V. #103-12-2	1
15	9-299-00177	Wire Assembly F.V. #1-420-71	1
16	9-299-00178	Wiper Motor w/Switch F.V. #103-10-5	1
17	9-299-00179	Wiper Arm F.V. #1-182-28	1
18	9-299-00180	Wiper Blade F.V. #1-182-29	1
19	9-299-00181	Rubber Moulding - 69" Lg. F.V. #1-7102-88	1
20	9-299-00182	Rubber Moulding - 76" Lg. F.V. #1-7102-88	1
21	9-299-00183	Rubber Moulding - 71" Lg. F.V. #1-7102-88	1
22	9-299-00184	Door Upholstery F.V. #52-42-1	1
23	9-299-00185	Weather Seal F.V. #1-102-48	1
24	9-299-00186	Hex Screw	32
25	9-299-00187	Glass - Windshield F.V. #103-10-4	1
26	9-299-00188	Glass - Top F. V. #103-10-2	1
27	9-299-00189	Glass - Rear F.V. #103-10-3	1
28	9-299-00190	Thread Rod - F.V. #103-12-3	1
29	9-299-00191	Plastic Knob - F. V. #5300095	1
30	9-299-00192	Arm Latch Control - F. V. #103-3-6	1
31	0-220-00002	Hex Hd. Bolt 1/4-20NC x 1/2" Lg	2
32	0-221-10002	Hex Nut #10-32NF	1
33	0-222-00005	Flatwasher #10 Dia.	1
34	0-222-10001	Lockwasher 1/4 Dia.	2
35	0-223-00204	Hex Hd. Capscrew 1/4-20NC x 1/2" Lg.	6
36	0-223-01101	Round Hd. Mach. Scr. #10-32NF x 3/4" Lg.	1

VICKERS PUMP - TANDEM



SEAL KIT NO. 9-935-00090

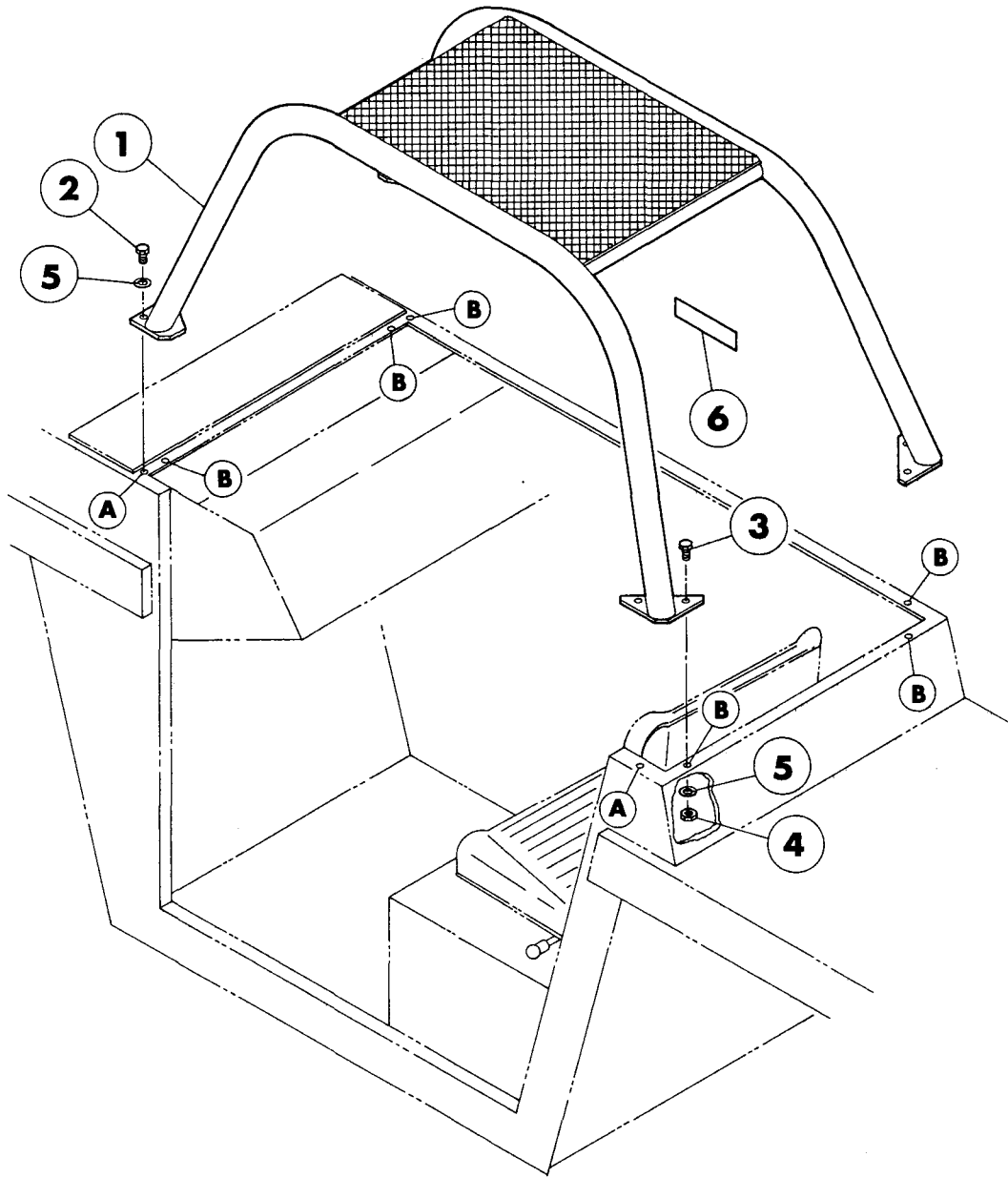


SECTIONED 45° FROM CENTERLINE

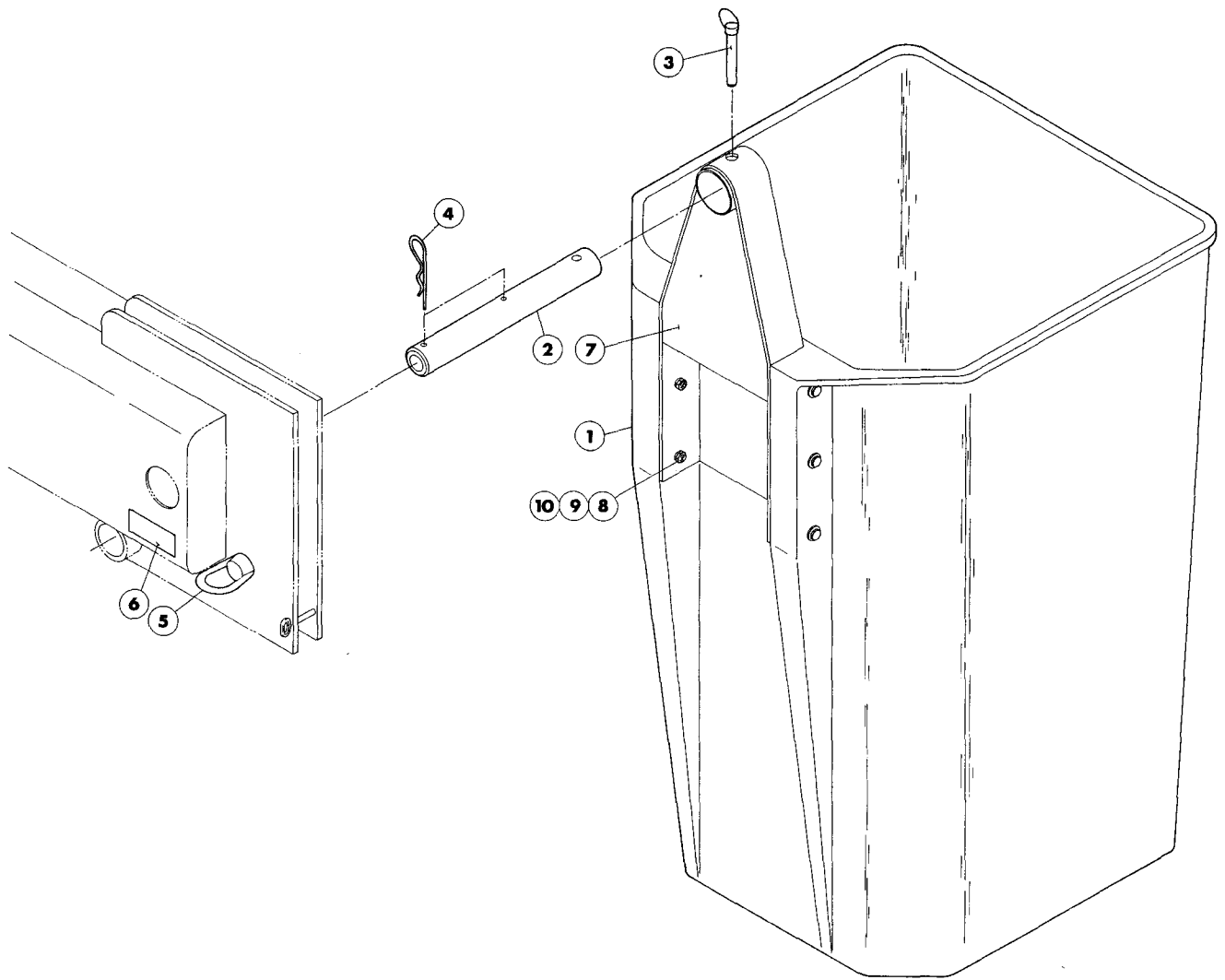
3-520-00015

ITEM NO.	PART NO.	DESCRIPTION	QTY.
0	3-520-00015	Pump - Vickers #2520VQ17A11-11BD20L	Ref.
1	9-935-00041	Housing #251263	1
2	9-935-00069	Body #942353	1
3	9-935-00024	Bolt #38523	4
4	9-935-00068	Cartridge Kit #416427	1
5	9-935-00067	Cartridge Kit #416441	1
6	9-935-00034	Lock Ring #191400	1
7	9-935-00025	Snap Ring #120128	1
8	9-935-00023	Bearing #1705	1
9	9-935-00015	Shaft #254848	1
10	9-935-00033	Washer #190362	1
11	9-935-00066	Shaft Seal #394976	1
12	9-935-00065	Shaft Seal #413029	1
13	9-935-00091	Cover Plate #250824	1
14	9-935-00092	Bolt #1296	4
15	9-935-00090	Seal Kit #920041	1

OPERATORS GUARD INSTALLATION (OG-4)



ITEM NO.	PART NO.	DESCRIPTION	QTY.
0	3-600-00379	Operators Guard Installation	Ref.
1	4-600-30866	Operators Guard	1
2	0-220-02003	Hex Hd. Bolt 3/8-16NC x 3/4" Lg.	2
3	0-220-02004	Hex Hd. Bolt 3/8-16NC x 1" Lg.	6
4	0-221-02001	Hex Nut 3/8-16NC	6
5	0-222-12001	Lockwasher 3/8 Dia.	8
6	1-650-00208	Placard - Warning	1



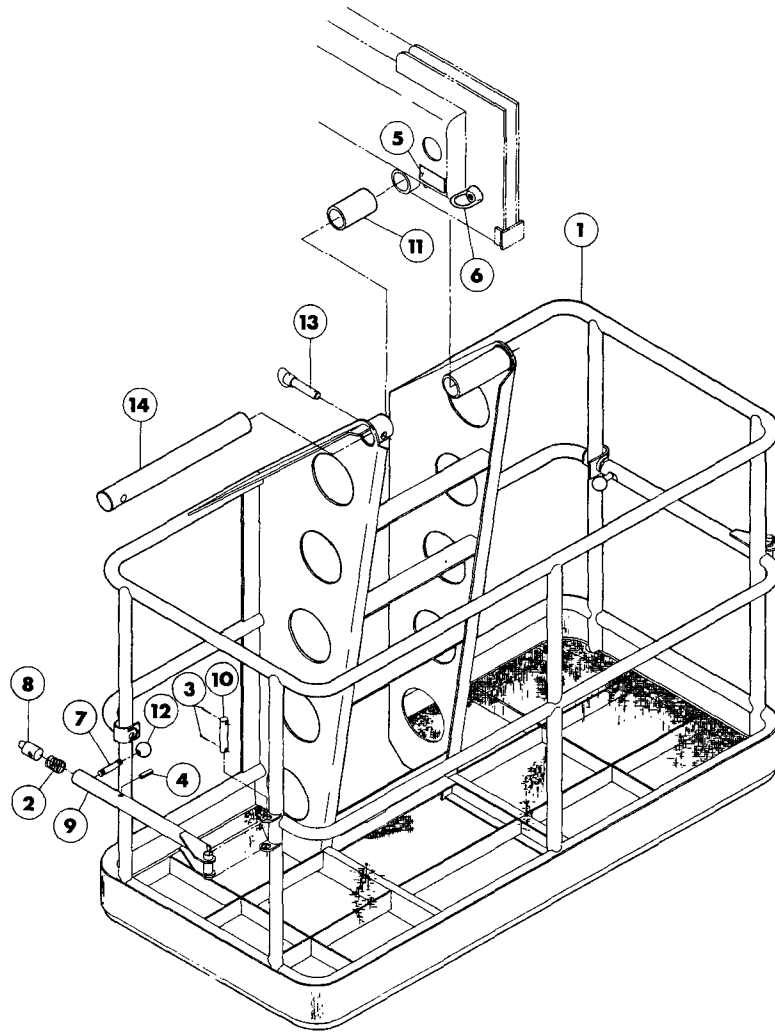
FIBERGLASS BUCKET/S INSTALLATION
 FB-2 (ONE BUCKET)
 4-730-20058

ITEM NO.	PART NO.	DESCRIPTION	QTY.
1	5-730-20001	Bucket - Fiberglass	1
2	1-870-60022	Pin	1
3	0-870-00048	Detent Pin - Carr-Lane #CL-8-DEP-1/2	1
4	0-224-06002	Hair Pin Cotter - Lietzke #LH-COT5	2
5	0-729-00423	Lift Eye - Buckeye #4075	2
6	1-651-00032	Caution Placard	2
7	3-770-00025	Bucket Bracket	1
8	0-220-06007	Hex Hd. Bolt 5/8-11NC x 3" Lg. Grade 5	6
9	0-221-96002	Hex Lock Nut 5/8-11NC	6
10	0-222-06006	Flatwasher 5/8	6

FB-3 (TWO BUCKETS)
 4-730-20059

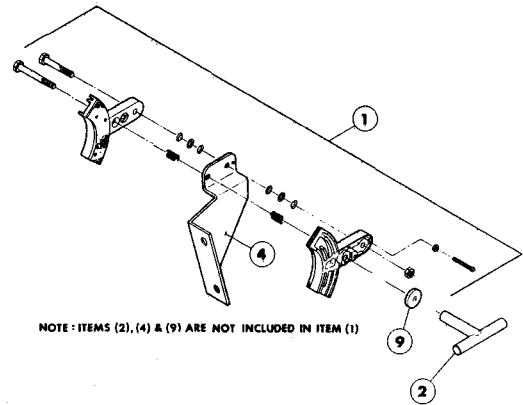
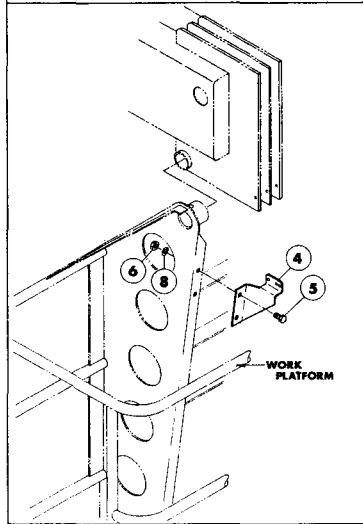
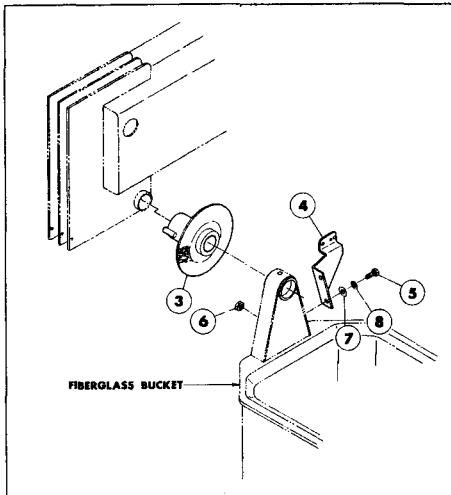
ITEM NO.	PART NO.	DESCRIPTION	QTY.
1	5-730-20001	Bucket - Fiberglass	2
2	2-870-60023	Pin	1
3	0-870-00048	Detent Pin - Carr Lane #CL-8-DEP-1/2	2
4	0-224-06002	Hair Pin Cotter - Lietzke #LH-COT5	2
5	0-729-00423	Lift Eye - Buckeye #4075	2
6	1-651-00032	Caution Placard	2
7	3-770-00025	Bucket Bracket	2
8	0-220-06007	Hex Hd. Bolt 5/8-11NC x 3" Lg. Grade 5	12
9	0-221-96002	Hex Lock Nut 5/8-11NC	12
10	0-222-06006	Flatwasher 5/8	12

WORK PLATFORM INSTALLATION (WP-2)

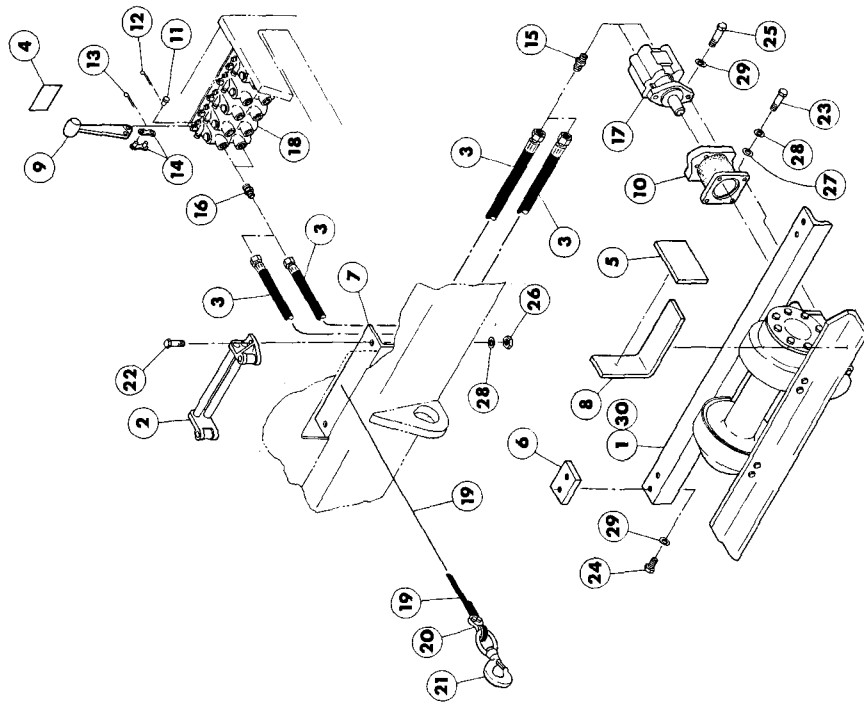
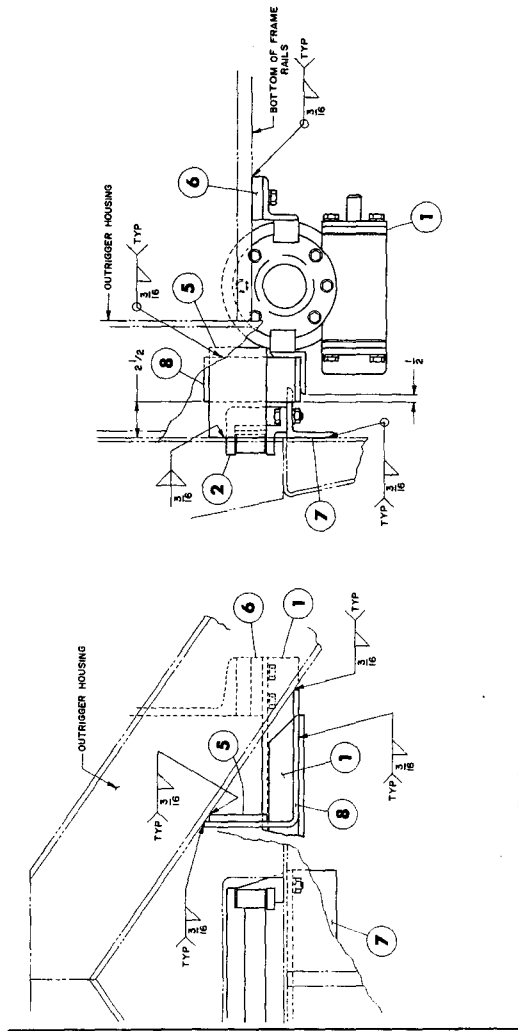


ITEM NO.	PART NO.	DESCRIPTION	QTY.
0	4-730-20110	Work Platform Installation	Ref.
1	5-730-20109	Work Platform Weldment	1
2	1-202-00003	Spring 1-3/16 OD x 12 Ga. Wire - 14 coils	2
3	0-224-02001	Cotter Pin 1/8 x 3/4	4
4	0-224-18002	Roll Pin 3/8 Dia. x 1-1/2" Lg.	2
5	1-651-00032	Caution - Placard	2
6	0-729-00423	Lift Eye - Buckeye #4075	2
7	1-730-20060	Stop Rod	2
8	1-730-20061	Slide Bolt	2
9	2-730-20063	Gate Weldment	2
10	1-730-20064	Gate Pin	2
11	1-730-20100	Spacer Tube	1
12	0-808-00012	Knob	2
13	0-870-00048	Detent Pin - Carr Lane #CL-8-DEP-1/2	1
14	2-870-60060	Pin - Mtg. Bucket	1

BUCKET AND WORK PLATFORM BRAKE PART GROUP (BB-4,5)

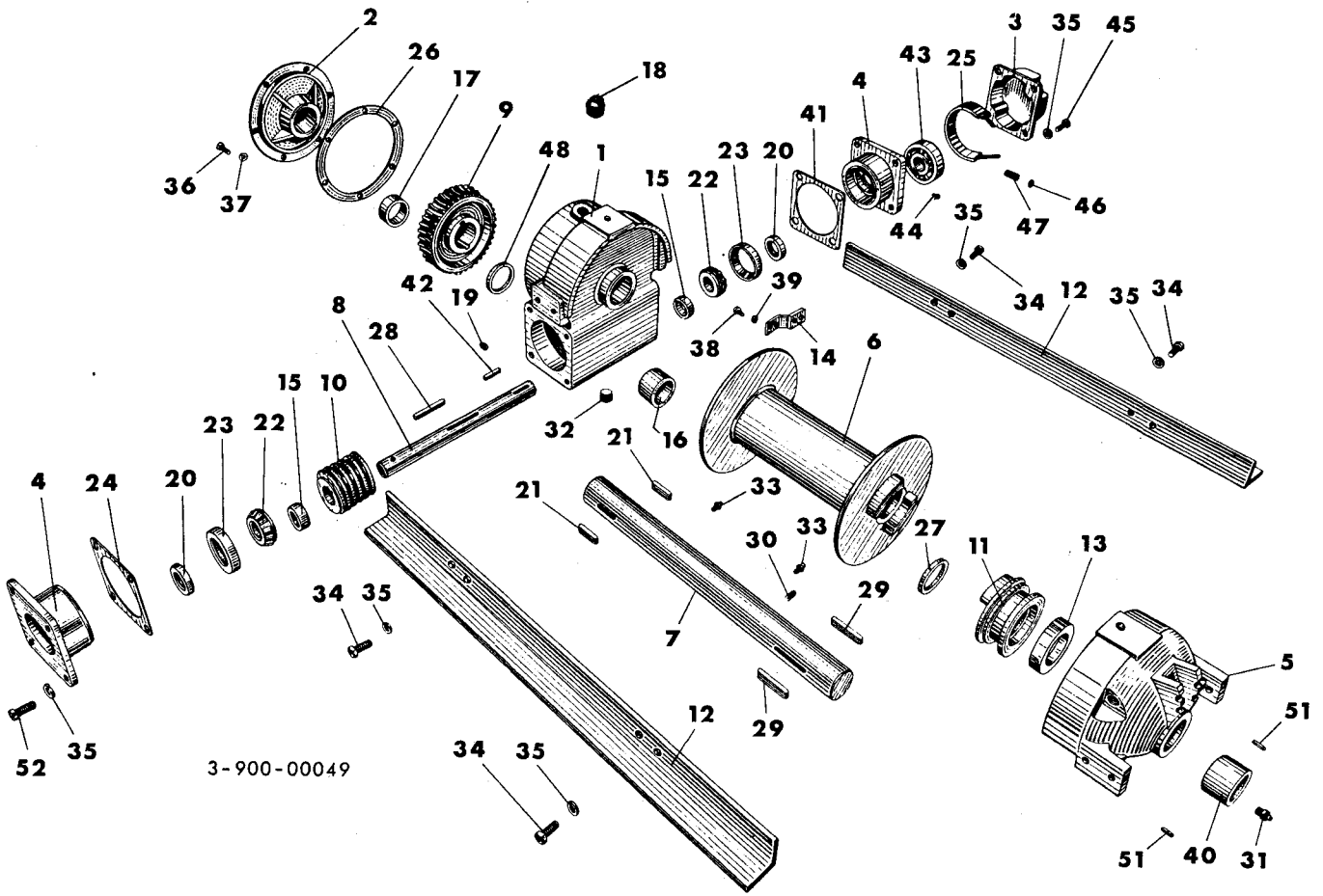


ITEM NO.	PART NO.	DESCRIPTION	QTY.
0	4-730-20113	Bucket Brake Installation	Ref.
00	4-730-20114	Work Platform Brake Installation	Ref.
1	0-730-20013	Brake Disc Assembly - H&H #375M2	1
2	2-730-20009	Gravity Brake Handle	1
3	3-770-00769	Gravity Bucket Brake Weldment	1
4	3-770-00157	Bucket Brake Mtg. Bracket	1
	3-770-00745	Work Platform Mtg. Bracket	1
5	0-220-02004	Hex Hd. Bolt 3/8-16NC x 1" Lg.	2
6	0-221-02001	Hex Nut 3/8-16NC	2
7	0-222-02001	Flatwasher 3/8 Dia. (Bucket Only)	2
8	0-222-12001	Lockwasher 3/8 Dia.	2
9	1-222-01003	Bar	1



FRONT WINCH INSTALLATION (AW-5)

ITEM NO.	PART NO.	DESCRIPTION	QTY.
0	4-600-90079	Auxiliary Front Winch Inst. - IC-180	Ref.
1	4-280-00126	Winch Modification	1
2	1-280-00104	Roller Bracket Modification	1
3	1-502-30129	Hose Assembly 1/2 Dia. x 82" Lg.	2
4	1-650-00236	Winch Placard	1
5	1-783-01584	Support Bar	2
6	1-783-01623	Support Bar	2
7	1-785-00424	Support Angle	1
8	1-785-00425	Support Angle	2
9	2-803-00072	Control Handle	1
10	0-280-00103	Motor Adapter Kit #Braden #61333	1
11	9-340-00001	Handle Pin - Gresen #553	Ref.
12	9-340-00002	Cotter Pin - Gresen #086	Ref.
13	9-340-00003	Cotter Pin - Gresen #929	Ref.
14	9-340-00004	Handle Link - Gresen #928	Ref.
15	0-513-60002	Connector - Parker #10-10F50X-S	2
16	0-513-60003	Connector - Parker #10-8F50X-S	2
17	0-530-30011	Motor - Charlynn #101-1034-007 4.5 IN3	1
18	0-550-00081	Valve - Gresen #V20-1827-A	1
19	0-861-15006	Cable, 7/16-7Flex Prem. Whyte Strand-115 Ft.	1
20	0-861-90043	Combination Clamp & Thimble - Newco 7/16	1
21	0-861-90009	Hook - CL #322-C-5 Ton - w/Safety Latch	1
22	0-220-02002	Hex Hd. Bolt 3/8-16NC x 1-1/4" Lg.	2
23	0-220-02010	Hex Hd. Bolt 3/8-16NC x 2-1/4" Lg.	Ref.
24	0-220-04004	Hex Hd. Bolt 1/2-13NC x 1" Lg.	4
25	0-220-04001	Hex Hd. Bolt 1/2-13NC x 2" Lg.	2
26	0-221-02001	Hex Nut 3/8-16NC	2
27	0-222-02001	Flatwasher 3/8 Dia.	Ref.
28	0-222-12001	Lockwasher 3/8 Dia.	2
29	0-222-14001	Lockwasher 1/2 Dia.	6
30	9-058-00463	Collar-Braden #23739 (Lock Winch in Gear)	1



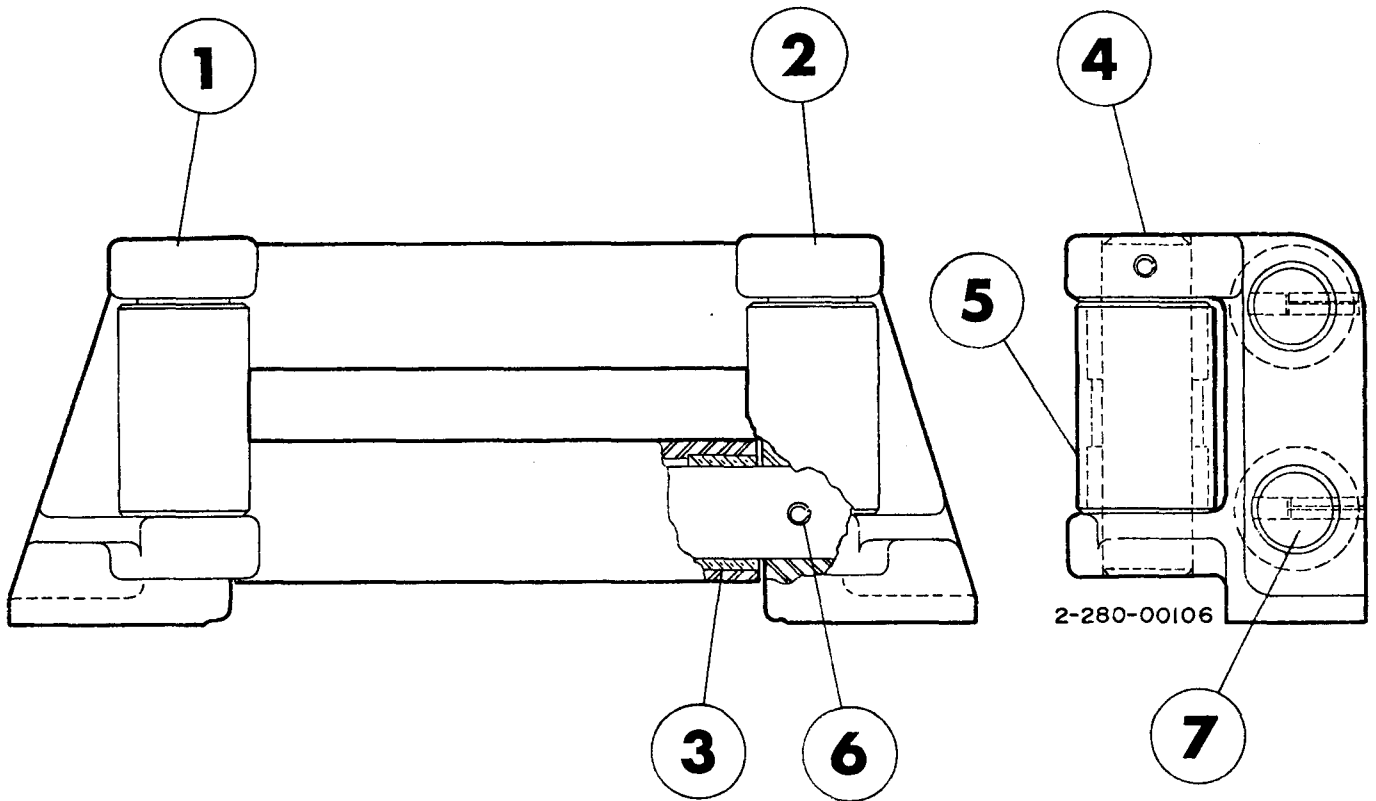
AUXILIARY FRONT WINCH PARTS

ITEM NO.	PART NO.	DESCRIPTION	QTY.
0	3-900-00049	Auxiliary Front Winch Parts - IC-180	Ref.
1	9-058-00428	Worm Housing Assembly #81006	1
2	9-058-00429	Worm Housing Cover #81009	1
3	9-058-00405	Safety Brake Housing #18032	1
4	9-058-00519	Bearing Container #23303	2
5	9-058-00396	Bearing Leg #81530	1
6	9-058-00390	Cable Drum #11128	1
7	9-058-00430	Cable Drum Shaft #11129	1
8	9-058-00432	Worm Shaft #23470	1
9	9-058-00433	Worm Gear - Right #11119	1
10	9-058-00434	Worm - Right #11116	1
11	9-058-00394	Sliding Clutch #18039	1
12	9-058-00435	Base Angle #22752	2
13	9-058-00463	Collar #23739	1
14	9-058-00388	Drag Brake #81025	1
15	9-058-00518	Worm Spacer #11308	2
16	9-058-00460	Bushing #18078	1
17	9-058-00461	Bushing #11368	1
18	9-058-00439	Pipe Plug #22775	1
19	9-058-00440	Pipe Plug #18009	1
20	9-058-00408	Grease Seal #18026	2
21	9-058-00442	Worm Gear Key #11117	2
22	9-058-00411	Bearing Cone #18015	2
23	9-058-00410	Bearing Cup #18016	2
24	9-058-00414	Bearing Container Gasket #18027	3
25	9-058-00407	Brake Band Assembly #21925	1
26	9-058-00445	Worm Housing Cover Gasket #11133	3
27	9-058-00393	Retaining Ring #18019	1
28	9-058-00380	Worm Key #18030	1
29	9-058-00395	Clutch Key #18020	2
30	9-058-00517	Screw #23630	1
31	9-058-00397	Grease Fitting #18047	1
32	9-058-00447	Pipe Plug #19045	1
33	9-058-00385	Grease Fitting #11799	2
34	9-058-00500	Capscrew #21961	8
35	9-058-00382	Lockwasher #18003	17
36	9-058-00448	Capscrew #11767	6
37	9-058-00449	Lockwasher #11011	6
38	9-058-00450	Capscrew #13005	2
39	9-058-00516	Lockwasher #12780	2

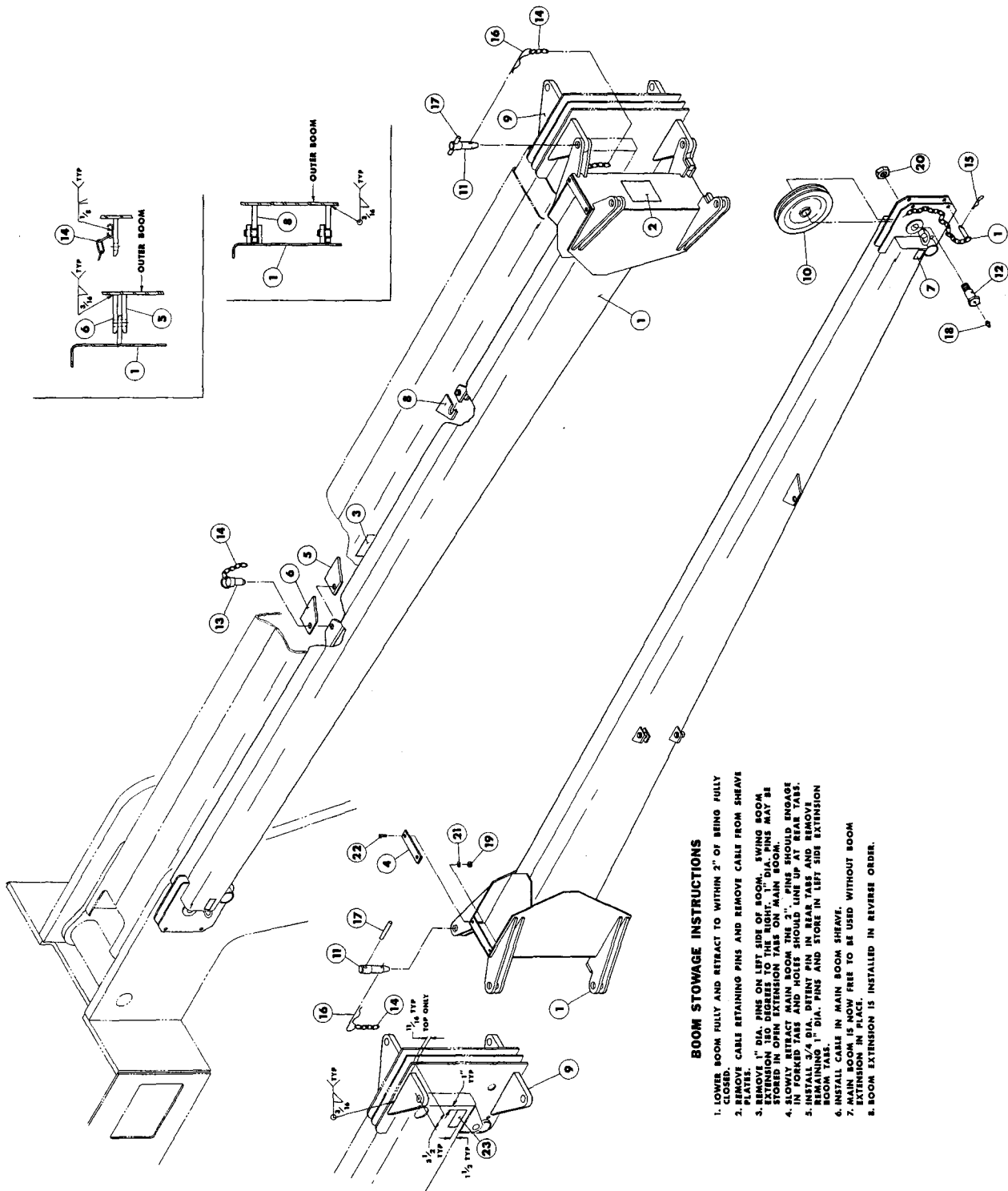
AUXILIARY FRONT WINCH PARTS

ITEM NO.	PART NO.	DESCRIPTION	QTY.
40	9-058-00462	Bushing #18077	1
41	9-058-00415	Bearing Container Gasket #18024	3
42	9-058-00404	Key #18044	2
43	9-058-00403	Brake Drum #18028	1
44	9-058-00406	Setscrew #12075	1
45	9-058-00452	Capscrew #22703	4
46	9-058-00427	Jam Nut #13468	4
47	9-058-00412	Brake Band Spring #18029	1
48	9-058-00453	Thrust Ring #11240	1
49	9-058-00457	Capscrew (Not Shown) #22693	1
50	9-058-00515	Cable Clamp (Not Shown) #23462	1
51	9-058-00441	Roll Pin #11837	2
52	9-058-00456	Capscrew #22694	4

ROLLER BRACKET - FRONT WINCH



ITEM NO.	PART NO.	DESCRIPTION	QTY.
0	2-280-00106	Roller Bracket Assembly	Ref.
1	9-058-00358	CB RLR Bracket - Braden #12840	1
2	9-058-00359	CB RLR Bracket - Braden #12839	1
3	9-058-00360	Cable Roller - Braden #81240	2
4	9-058-00361	Roller Shaft - Braden #12837	2
5	9-058-00362	Cable Roller - Braden #81241	2
6	9-058-00363	Rollpin - Braden #18056	5
7	9-058-00364	Roller Shaft - Braden #12823	2

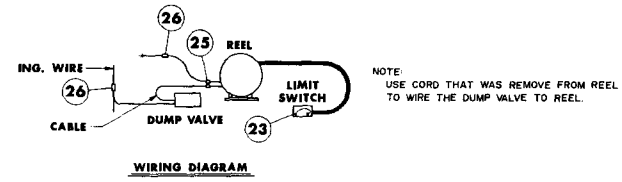
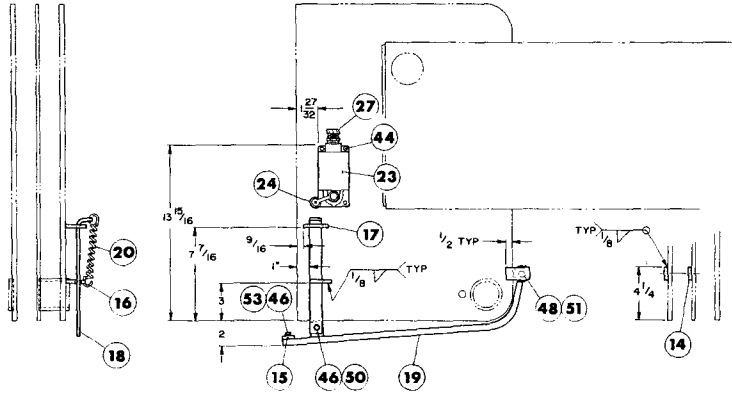
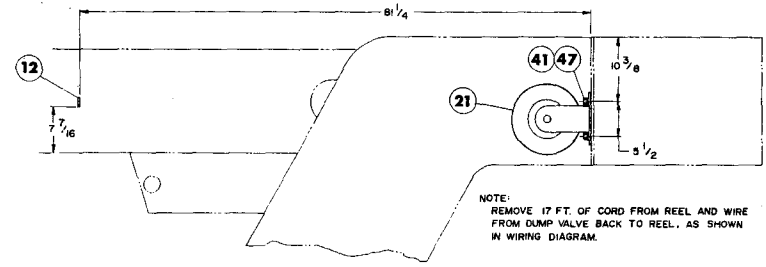
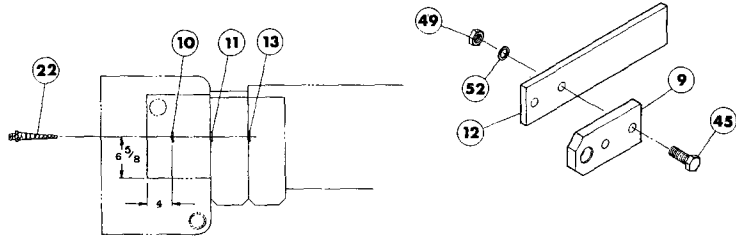


BOOM STORAGE INSTRUCTIONS

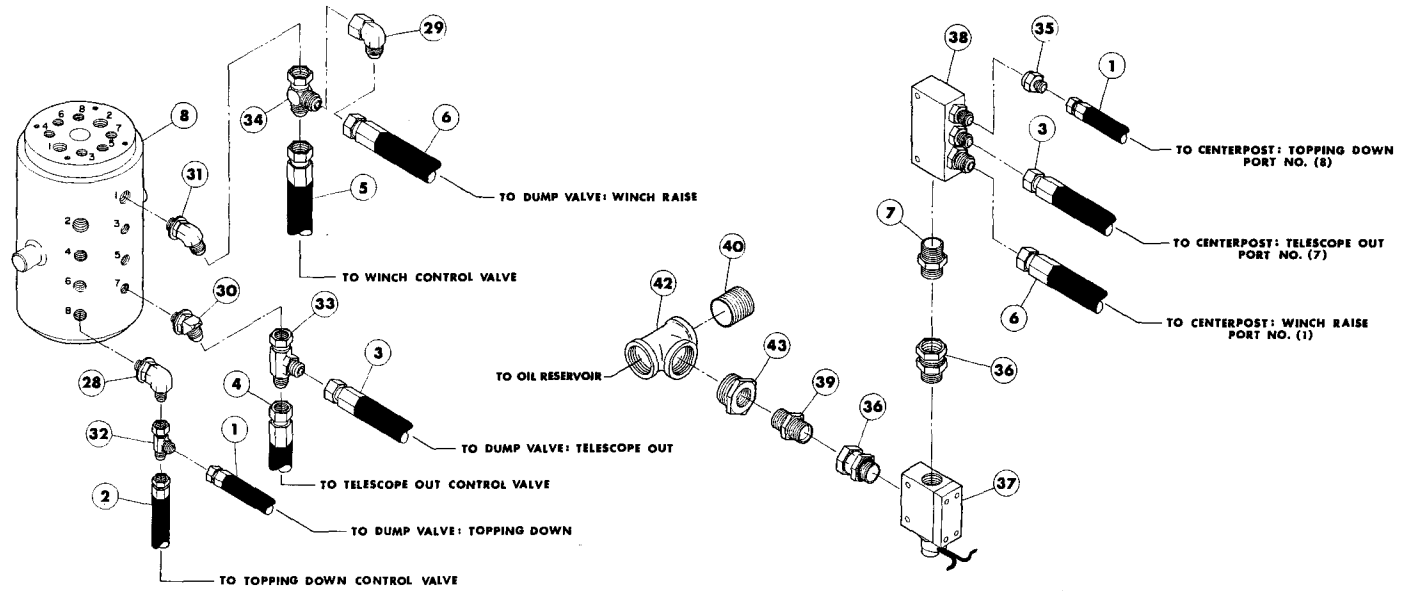
1. LOWER BOOM FULLY AND RETRACT TO WITHIN 2" OF BEING FULLY
2. REMOVE CABLE RETAINING PINS AND REMOVE CABLE FROM SHEAVE PLATES.
3. REMOVE 1" DIA. PINS ON LEFT SIDE OF BOOM. SWING BOOM DOWN AND REMOVE 1" DIA. PINS ON RIGHT SIDE. PINS MAY BE STORED ON OPEN EXTENSION TABS ON MAIN BOOM.
4. SLOWLY RETRACT MAIN BOOM THE 2". PINS SHOULD ENGAGE IN FORKED TABS AND HOLES SHOULD LINE UP AT REAR TABS.
5. INSTALL 3/4" DIA. DETENT PIN IN REAR TABS AND REMOVE BOOM TABS.
6. INSTALL CABLE IN MAIN BOOM SHEAVE.
7. MAIN BOOM IS NOW FREE TO BE USED WITHOUT BOOM EXTENSION IN PLACE.
8. BOOM EXTENSION IS INSTALLED IN REVERSE ORDER.

BOOM EXTENSION - 15 FT (BE-7)

ITEM NO.	PART NO.	DESCRIPTION	QTY.
0	5-730-51146	Boom Extension - 15 ft - RTR-180	Ref.
1	5-730-51142	Boom Extension Weldment	1
2	2-651-00041	Caution Placard	1
3	2-651-00042	Caution Placard	1
4	1-729-00551	Boom Rub Pad	1
5	1-783-01501	Bottom Support Bar	1
6	1-783-01502	Top Support Bar	1
7	1-651-00032	Caution Placard	2
8	1-783-01504	Support Bar	2
9	2-789-01437	Support Plate	4
10	2-860-40004	Sheave	1
11	1-870-20106	Boom Stow Pin	4
12	1-870-30063	Sheave Pin	1
13	0-870-10085	Detent Pin	1
14	0-205-00015	Straight Link Chain - Liberty #110	4'
15	0-224-02006	Hairpin Cotter	2
16	0-224-04002	Hairpin Cotter	4
17	0-224-19013	Roll Pin 3/8 Dia. x 4" Lg.	4
18	0-501-03001	Grease Fitting - Str. 1/4-28NF	1
19	0-221-00001	Hex Nut 1/4-20NC	2
20	0-221-99002	Hex Lock Nut 1-8NC	1
21	0-222-10001	Lockwasher 1/4 Dia.	2
22	0-223-00205	Flat Hd. Scr. 1/4-20NC x 3/4" Lg.	2
23	2-651-00044	Warning Placard	2



107

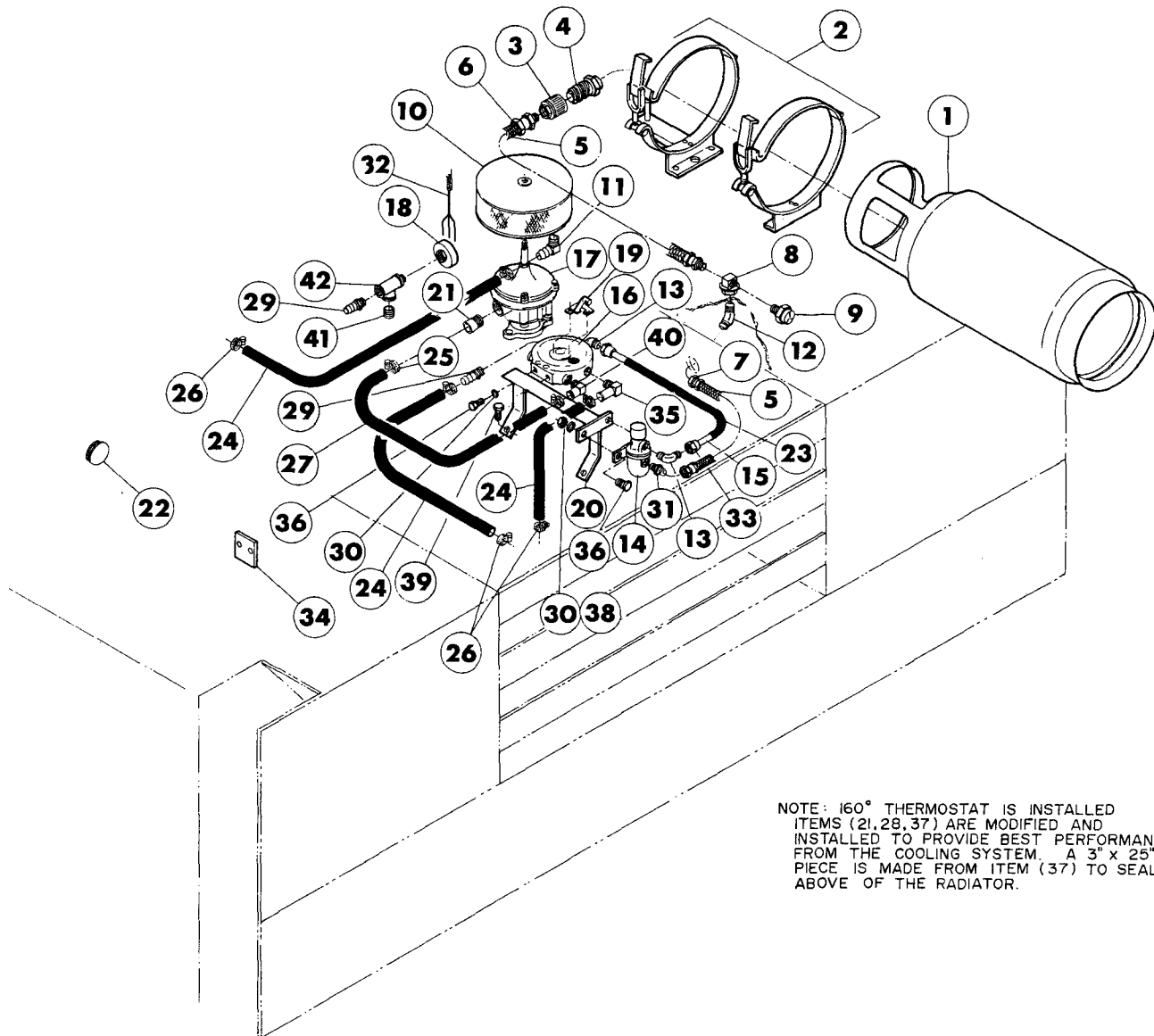


ANTI TWO BLOCK INSTALLATION (AB-12)

ITEM NO.	PART NO.	DESCRIPTION	QTY.
0	5-809-00215	Anti-Two Block Installation IC-180	Ref.
1	1-502-20329	Hose Assembly 3/8 Dia. x 35-1/2" Lg.	1
2	1-502-20014	Hose Assembly 3/8 Dia. x 62" Lg.	Ref.
3	1-502-30004	Hose Assembly 1/2 Dia. x 44-1/2" Lg.	1
4	1-502-30133	Hose Assembly 1/2 Dia. x 48" Lg.	Ref.
5	1-502-40272	Hose Assembly 3/4 Dia. x 46" Lg.	Ref.
6	1-502-40011	Hose Assembly 3/4 Dia. x 49" Lg.	1
7	1-519-90018	Connector Modification	1
8	3-560-00036	Centerpost Assembly	Ref.
9	1-783-01102	Support Bar Cable Guide	3
10	1-783-01445	Support Bar	1
11	1-783-01446	Support Bar	1
12	1-783-01447	Support Bar	1
13	1-783-01448	Support Bar	1
14	1-783-01569	Support Bar	2
15	1-783-01570	Support Bar	1
16	1-809-00188	Support Bar	1
17	1-809-00189	Support Bar	1
18	1-809-00199	Trip Bar	1
19	3-809-00200	Trip Arm	1
20	0-202-10016	Spring 1/2 OD x 3" Lg. (.063 Ø)	1
21	0-400-06028	Power reel	1
22	0-400-06029	Grip - Kellems #SR-6	1
23	0-400-06030	Limit Switch - Namco #EA080-11100	1
24	0-400-06031	Limit Arm - Namco #EL010-53420	1
25	0-400-02202	Wire Connector - API #34071	2
26	0-400-22003	Wire Connector - Whitaker #2847	2
27	0-400-22004	Strain Relief Connector - P.N. #D8-9	1
28	0-514-55003	Elbow 90° Parker #8-10C50X-S	Ref.
29	0-514-67001	Elbow 90° Parker #12C6X-S	1

ANTI TWO BLOCK INSTALLATION (AB-12)

ITEM NO.	PART NO.	DESCRIPTION	QTY.
30	0-515-04006	Elbow 45° Parker #10V50X-S	Ref.
31	0-515-34000	Elbow 45° Parker #12V50X-S	Ref.
32	0-516-85001	Tee - Parker #8R6X-S	1
33	0-516-86001	Tee - Parker #10R6X-S	1
34	0-516-87001	Tee - Parker #12R6X-S	1
35	0-519-40003	Tube Reducer - Parker #10-8TRX-S	1
36	0-519-90016	Union Adapter - Airway #6900-16-16	2
37	0-551-10022	Solenoid Valve - F.P. #5-C31-16T	1
38	0-552-00033	Check Valve - Vonberg #B70041	1
39	0-570-05007	Nipple - Parker #1-FF-S	1
40	0-570-07002	Close Nipple 1-1/2 NPT	1
41	0-222-12001	Lockwasher 3/8 Dia.	2
42	0-570-50013	Tee - 1-1/2 NPT STD. Black	1
43	0-570-46002	Reducer Bushing 1-1/2 to 1" NPT	1
44	0-220-00002	Hex Hd. Bolt 1/4-20NC x 1/2" Lg.	4
45	0-220-00001	Hex Hd. Bolt 1/4-20NC x 1" Lg.	6
46	0-220-01005	Hex Hd. Bolt 5/16-18NC x 1" Lg.	3
47	0-220-02002	Hex Hd. Bolt 3/8-16NC x 1-1/4" Lg.	2
48	0-220-02005	Hex Hd. Bolt 3/8-16NC x 2-1/2" Lg.	1
49	0-221-00001	Hex Nut 1/4-20NC	6
50	0-221-91001	Hex Lock Nut 5/16-18NC	1
51	0-221-92001	Hex Lock Nut 3/8-16NC	1
52	0-222-10001	Lockwasher 1/4 Dia.	6
53	0-222-11001	Lockwasher 5/16 Dia.	2



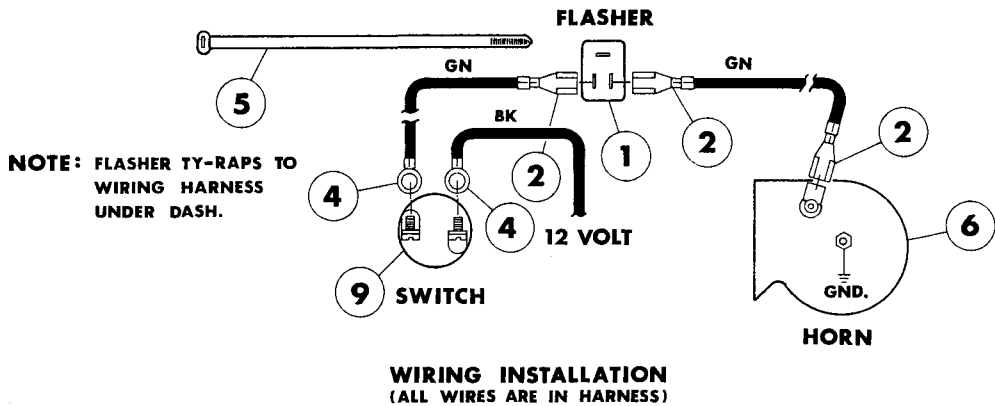
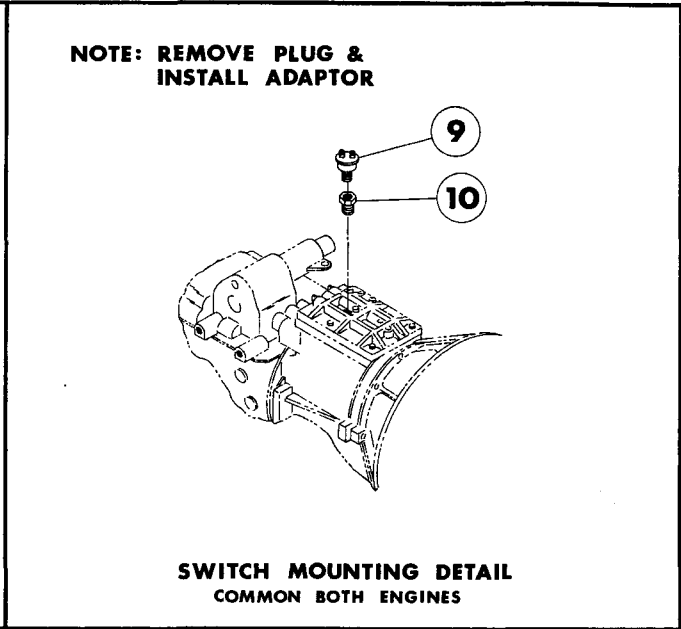
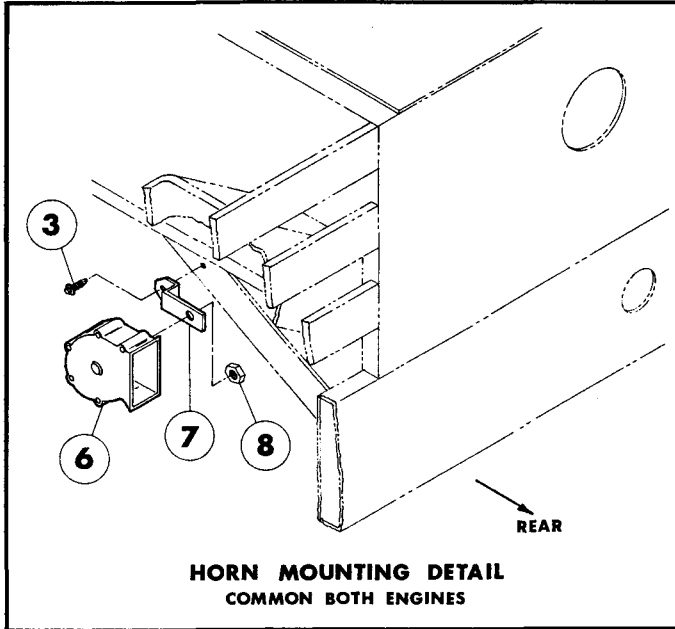
NOTE: 160° THERMOSTAT IS INSTALLED
 ITEMS (21, 28, 37) ARE MODIFIED AND
 INSTALLED TO PROVIDE BEST PERFORMANCE
 FROM THE COOLING SYSTEM. A 3" x 25"
 PIECE IS MADE FROM ITEM (37) TO SEAL
 ABOVE OF THE RADIATOR.

LP-GAS CONVERSION KIT (LP-4)

ITEM NO.	PART NO.	DESCRIPTION	QTY.
0	4-600-00341	LP-Gas Conversion	Ref.
1	0-875-10072	Tank - Lee #LTS-43-Code 13	1
2	0-875-90056	Tank Bracket w/Hardware #TB2 Propane Eq.	1
*3	0-600-12033	Quick Disconnect-Female #7141F Rego	1
*4	0-600-12032	Quick Disconnect-Male #714 IM Rego	1
5	0-503-50000	Hose - Parker #SS25UL-6	4.0'
6	0-519-90009	Coupling - Parker #20120-4-6	2
7	0-519-90008	Coupling - Parker #20820-6-6	2
*8	0-600-12034	Bulkhead - Tom Gorman #T444	1
*9	0-600-12035	Relief Valve - Rego #3127J	1
*10	0-600-12041	Air Cleaner w/5/8" ELL #XAF1-8-2EV	1
11	0-570-90027	Hose Elbow 90° 3/8 Hose	2
12	0-519-90007	Elbow - Parker #3104-4-6B	1
13	0-519-90006	Elbow - Parker #2104-4-6B	2
*14	0-600-12036	Sol. Shut Off & Filter - Century #2384A	1
15	0-037-50001	Tube - Copper 3/8 OD	1.6'
*16	0-600-12031	Convertor - Impco #JB-M	1
*17	0-600-12039	Carburetor - Impco #CA125-20	1
*18	0-600-12040	Vacuum Lock - Garretson #350-03	1
*19	0-600-12038	Primer - Impco #AB1-28	1
*20	2-783-01313	Support Bracket Weldment	1
**21	2-600-19079	Radiator Shroud	1
22	0-600-40216	Gauge Cover Plug-KC Speedo #BM454-254-KS	1
23	0-036-10005	Loom - 3/8 ID	1.6'
24	0-503-43002	Hose 5/8 ID Gates #4419	7.5'
25	0-201-00051	Hose Clamp - Gates #24	2
26	0-201-00016	Hose Clamp - Gates #10	6
*27	0-503-50002	Vapor Line	1.6'
**28	2-600-19081	Radiator Shroud	1
29	0-570-90030	Straight Connector 3/8 NPT to 5/8 Hose	2
30	0-222-10001	Lockwasher 1/4 Dia.	4
*31	0-517-00024	Straight Adapter-Weatherhead #48 x 6	1
32	2-400-06046	Wiring Harness	1
33	0-570-90028	Tube Fitting - Weatherhead #1110 x 6	2
34	1-600-40237	Fuel Pump Cover	1
35	0-570-90025	Elbow 90° 3/8 Pipe to 5/8 Hose	2
36	0-220-00001	Hex Hd. Bolt 1/4-20 x 1 Lg.	4
**37	2-600-19087	Radiator Shroud	1
38	0-221-00001	Hex Nut 1/4-20NC	2
39	0-220-02002	Hex Hd. Bolt 3/8-16NC x 1-1/4 Lg.	2
*40	0-570-90029	Hose Elbow - Gann #64EZ	1
41	0-570-02001	Close Nipple 3/8 NPT	1
42	0-570-50019	Tee 3/8 NPT	1

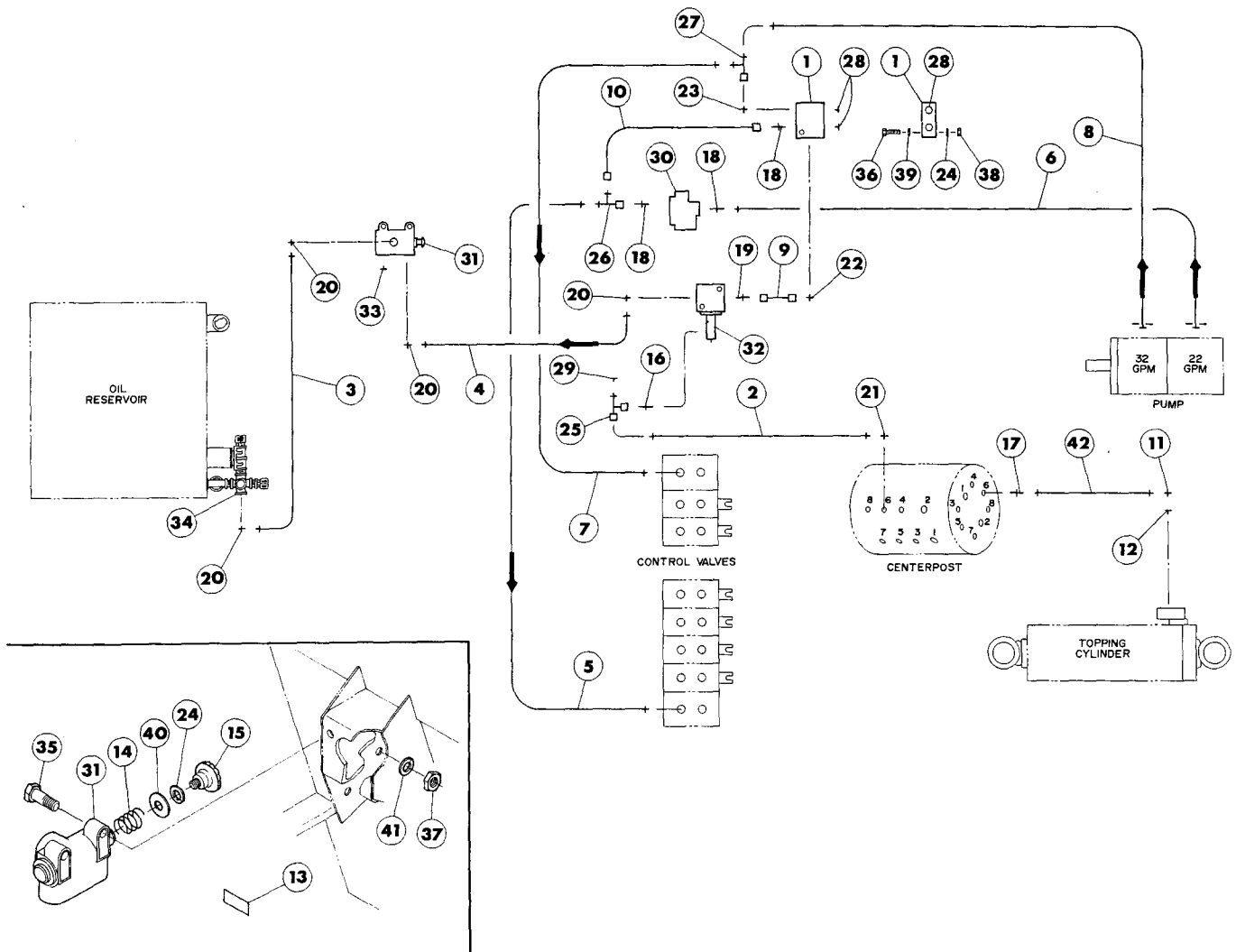
*Included in Kit

**Not Shown



BACK-UP ALARM (BA-8)





ITEM NO.	PART NO.	DESCRIPTION	QTY.
0	3-600-90081	Back-up Alarm IC-180	Ref.
1	0-400-04902	Flasher - KD #2573	1
2	0-400-02203	Female Slide Conn.-Whitaker #2891	3
3	0-223-15203	Self-Tapping Screw 1/4-20NC x 3/4 Lg.	1
4	0-400-02213	Eye Terminal #10 Stud - Whitaker #2825	2
5	0-209-00063	Ty-Rap - TY525M 7" Lg.	1
6	0-600-40040	Horn	1
7	0-600-40042	Horn Bracket	1
8	0-600-40041	Horn Nut	1
9	0-400-04950	Sending Unit - Hobbs #17-4006-4	1
10	1-517-30011	O-Ring Plug Modification	1



OVERLOAD ALERT SYSTEM (OA-34)

ITEM NO.	PART NO.	DESCRIPTION	QTY.
0	4-600-00507	Overload Alert System	Ref.
1	3-552-00015	Double Check Valve	1
2	1-502-10424	Hose Assembly 1/4 Dia. x 29" Lg.	1
3	1-502-40290	Hose Assembly 3/4 Dia. x 24" Lg.	1
4	1-502-40297	Hose Assembly 3/4 Dia. x 58" Lg.	1
5	1-502-40282	Hose Assembly 3/4 Dia. x 80" Lg.	Ref.
6	1-502-40265	Hose Assembly 3/4 Dia. x 85" Lg.	Ref.
7	1-502-50030	Hose Assembly 1" Dia. x 68" Lg.	1
8	1-502-50039	Hose Assembly 1" Dia. x 80" Lg.	1
9	1-510-70321	Tube Assembly 3/4 Dia. x 8" Lg.	1
10	1-510-70322	Tube Assembly 3/4 Dia. x 20" Lg.	1
11	1-514-55010	Elbow Modification	1
12	1-570-20047	Pipe Plug Modification	1
13	1-651-00018	Warning Placard	1
14	9-340-00046	Spring - Gresen #1625	1
15	9-340-00047	Knob - Gresen #081	Ref.
16	0-513-40010	Connector - Parker #6-2FTX-S	1
17	0-513-40014	Connector - Parker #6-10F50X-S	1
18	0-513-70002	Connector - Parker #12F50X-S	1
19	0-513-70003	Connector - Parker #12FTX-S	1
20	0-514-07001	Elbow 90° - Parker #12CTX-S	4
21	0-514-55011	Elbow 90° - Parker #6-10C50X-S	1
22	0-514-57001	Elbow 90° - Parker #12C50X-S	1
23	0-514-59001	Elbow 90° - Parker #16C50X-S	1
24	0-222-12001	Lockwasher 3/8 Dia.	2
25	0-516-84001	Tee - Parker #6S6X-S	1
26	0-516-87001	Tee - Parker #12R6X-S	1
27	0-516-89002	Tee - Parker #16R6X-S	1
28	0-517-30004	O-Ring Plug - Parker #12P50N-S	2
29	0-519-40001	Cap - Parker #6FNTX-S	1
30	0-551-10024	Priority Valve - Charlynn #606-1095	Ref.
31	0-553-00003	Selector Valve - Gresen #S-75	1
32	0-559-00013	Unloader Valve - Waterman #1500-16	1
33	0-570-20015	Pipe Plug 3/4 NPT	1
34	0-570-50007	Cross 3/4 NPT	1
35	0-220-01006	Hex Hd. Bolt 5/16-18NC x 1-1/2" Lg.	2
36	0-220-02001	Hex Hd. Bolt 3/8-16NC x 3" Lg.	1
37	0-221-01001	Hex Nut 5/16-18NC	2
38	0-221-02001	Hex Nut 3/8-16NC	1
39	0-222-02001	Flatwasher 3/8 Dia.	1
40	0-222-04001	Flatwasher 1/2 Dia.	1
41	0-222-11001	Lockwasher 5/16 Dia.	2
42	1-502-10408	Hose Assembly 1/4 Dia. x 32" Lg.	1

TORQUE DATA

GRADE BOLT	SAE GRADE 1 OR 2	SAE GRADE 5	SAE GRADE 6	SAE GRADE 8
MARKING				
DEFINITION	INDETERMINATE QUALITY	MINIMUM COMMERCIAL QUALITY	MEDIUM COMMERCIAL QUALITY	BEST COMMERCIAL QUALITY
MATERIAL	LOW CARBON STEEL	MEDIUM CARBON STEEL TEMPERED	MEDIUM CARBON STEEL Q & T	MED. CARBON ALLOY STEEL Q & T
MIN. TENSILE STRENGTH	64,000 P.S.I.	105,000 P.S.I.	133,000 P.S.I.	150,000 P.S.I.
BOLT SIZE	RECOMMENDED TORQUE VALUES (FT - LBS)			
1/4	5	7	10	10.5
5/16	9	14	19	22
3/8	15	25	34	37
7/16	24	40	55	60
1/2	37	60	85	92
9/16	53	88	120	132
5/8	74	120	167	180
3/4	120	200 ✓	280	296
7/8	190	302	440	473
1	282	466	660	714

1-652-00034



THE FOLLOWING RULES APPLY TO THE CHART

1. Consult manufacturers' specific recommendations when available.
2. The chart may be used with both coarse and fine thread fasteners lightly lubricated.
3. Increase torque by 20% when multiple tapered tooth (shakeproof) lockwashers are used.
4. The torque values are given in foot-pounds.
5. Inch-pound equivalent may be obtained by multiplying by 12.