

Series **1300H**

product guide

features

- All new design
- 110 ft (33.52 m) Four-section boom
- 30 USt (27.2 t) rating
- Multi-position “Easy Reach” control panel

contents

Features	2
Mounting Configurations	3
Specifications	4
Capacities	5
Dimensions Specifications	8
Accessories	9



features

Why Buy a National Crane Series 1300H

2



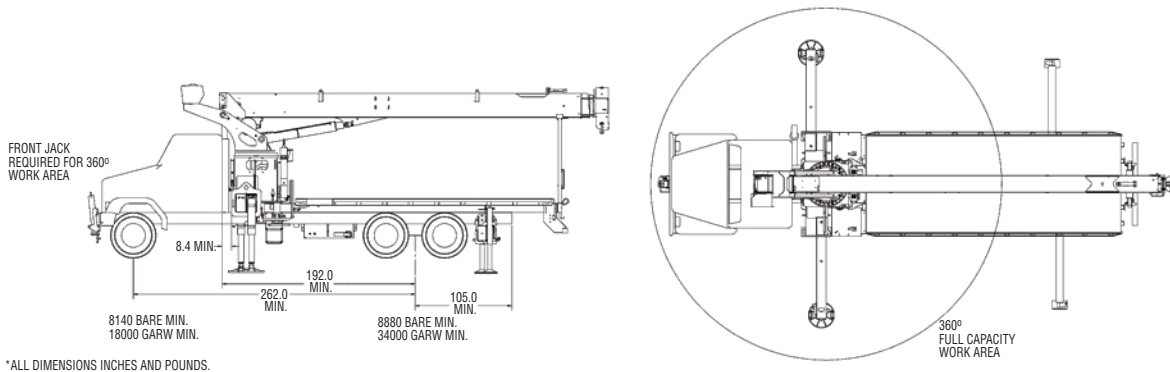
*Product may be shown with optional equipment.

- **30 USt (27.2 t) Rating** – The new 1300H provides a 30 USt (27.2 t) capacity.
- **110 ft Four-section Boom** – The longest in its size range. The longer boom allows the operator to perform more lifts without the use of a jib, reducing setup time and improving efficiency. A 69 ft four-section boom or a 100 ft four-section boom is also available.
- **Overload Protection** – All National Crane boom trucks are equipped with overload protection:
 - Load Moment Indicator (LMI) is standard on all series 1300H machines with (WADS) “work area definition system.”
 - LMI display console is weatherproof.
 - LCD display is visible in full or low light.
 - All crane load lifting values are displayed simultaneously.
- **Easy Glide Boom Wear Pads** – Reduce the conditions that cause boom chatter and vibration. The net result is smoother crane operation.
- **“HO”-style Outriggers** – Two sets of “HO”-style outriggers with 20 ft (6.09 m) span, with 14 ft (4.27 m) mid span setting with manual locks and reduced capacity chart and fully retracted outrigger spread with reduced capacity chart. Main outriggers are equipped with removable ball and socket aluminum foot pads. Independent outrigger controls (umbilical design) are located at the Easy Reach control console and includes level indicator (sight bubble).
- **Rotation** – The series 1300H is standard with 410° non-continuous rotation.
- **Adjustable Swing Speed** – Standard on the 1300H. A control knob located on the swing motor brake release valve can be easily adjusted to the crane operator’s swing speed preference.
- **Oil Cooler** – Located inside crane frame radiator mounted with electric fan is standard.
- **Heavier Duty Torsion Box** – The stronger standard torsion box improves rigidity, reduces truck frame flex and reduces the need for counterweight.
- **Speedy-reeve Boom Tip and Sheave Blocks** – These standard features simplify rigging changes by decreasing the time needed to change line reeving.
- **Burst-of-Speed Winch** – Provides faster winch payout and pickup of unloaded cable.
- **Pre-painted Components** – Painting crane components before assembly reduces the possibility of rust, improves serviceability and enhances the appearance of the machine.
- **Improved Serviceability** –
 - Bearings on the boom extend and retract cables can be greased through access holes in the boom side plates.
 - Number of internal boom parts has been reduced, decreasing service time when rebuilding the machine.
 - Internal anti-two-block wire routing eliminates damage potential.
- **Electronic versions of manuals available through Manitowoc Crane CARE.**
- **New State-of-the-art Control Valve** – Provides smoother operation. The new design eliminates parts, reducing repair costs and improving the machine’s serviceability.
- **National Crane is the Market Leader** – National Crane is number one in the production of commercial truck-mounted boom trucks and has many programs and people directly and indirectly involved to provide our customers reliable products.
 - National Crane has the boom truck industry’s leading test program. Every structural part of the crane is cycle tested up to 60,000 cycles at full capacity. In addition to cycle testing, each model is subjected to state-of-the-art strain gauge testing that measures metal deformation as small as one one-millionth of an inch. The net result is that any weak areas are caught in test, not on job sites where costly downtime occurs.
 - Lift and telescoping cylinders are manufactured by National Crane, so that the seals, packing glands, and end plates are traced for accurate shipment of replacement parts.
 - Parts are available for all National Crane machines, even if they are 35 years old.
 - National Crane has a formalized quality program and is ISO 9001 approved.
- **National Crane’s Quality Management System is ISO 9001:2000 Approved.**

- 30 USt (27.2 t) maximum capacity
- 163 ft (49.68 m) w/optional jib maximum vertical reach*
- 119 ft (36.27 m) maximum vertical hydraulic reach*
- Load Moment Indicator system (LMI)
- Proportional boom extension
- High performance planetary winch
- Heavy-duty triple pump hydraulics
- * Maximum vertical reach is ground-level to boom tip height at maximum extension and angle with outriggers/stabilizers fully extended.

1300H

mounting configuration



*ALL DIMENSIONS INCHES AND POUNDS.

The mounting configuration is based on an 85% stability factor. If the bare truck weight requirements are not met, counterweight will be required. The complete unit must be installed on the truck in accordance with factory requirements. Since individual truck chassis vary, a test must be performed on the unit to verify actual stability after mounting and installing counterweight (if required). A summary of mounting and truck requirements are:

For 180 degree working area –

Gross Axle Weight Rating Front (GAWR) – 18,000 lb (8,165 kg)
 Gross Axle Weight Rating Rear (GAWR) – 34,000 lb (15,455 kg)
 Gross Vehicle Weight Rating (GVW) – 52,000 lb (23,587 kg)
 Wheelbase (WB) – 262 in (6.65m)
 Cab to Axle Trunnion (CT) – 192 in (4.88m)
 After Frame (AF) – 105 in (2.67m)
 Frame Section Modulus (SM) from outrigger to RSOD – 20 in³ (327cm³) and 110,000 psi (759 MPa) material
 Bare Chassis Weight required for stability prior to installation
 Front – 8,140 lb (3692 kg)
 Rear – 8,880 lb (4028 kg)

For 360 degree working area –

Optional Single Front Stabilizer (SFO)
 Gross Axle Weight Rating Front (GAWR) – 18,000 lb (8,165 kg)
 Gross Axle Weight Rating Rear (GAWR) – 34,000 lb (15,455 kg)
 Gross Vehicle Weight Rating (GVW) – 52,000 lb (23,587 kg)
 Wheelbase (WB) – 262 in (6.65m)
 Cab to Axle Trunnion (CT) – 192 in (4.88m)
 After Frame (AF) – 105 in (2.67m)
 Frame Section Modulus (SM) from front spring hanger to end of after frame – 30 in³ (327cm³) and 110,000 psi (759 MPa) material
 Bare Chassis Weight required for stability prior to installation
 Front – 8,200 lb (3720 kg)
 Rear – 8,900 lb (4037 kg)

Note: Chassis will require extended front frame rails for SFO addition.

For 360° stability the truck frame must have a 30.0 in³ (492 cm³) section modulus [3,300,000 in-lb (372,850 N-m) RBM] minimum under the crane frame, 18 in³ (295 cm³) section modulus [1,980,000 in-lb (223,710 N-m) RBM] at the front spring rear hanger, 12 in³ (197 cm³) section modulus [1,320,000 in-lb (149,140 N-m) RBM] through the front spring and 3 in³ (49 cm³) section modulus [330,000 in-lb (37,284 N-m) RBM] at the stabilizer attachment point on each truck frame rail.

NOTE 1: Gross Vehicle Weight Rating (GVWR) is dependent on all components of the vehicle (axles, tires, springs, fame, etc.) meeting manufacturers' recommendations; always specify GVWR when purchasing trucks.

NOTE 2: Diesel engines require a variable speed governor and energize-to-run fuel solenoid for smooth crane operation; electronic fuel injection is required.

NOTE 3: All mounting data is based on a National Series 1300H with subbase and an 85% stability factor.

NOTE 4: The complete unit must be installed in accordance with factory requirements, and a test performed to determine actual stability and counterweight requirements; contact the factory for details.

NOTE 5: Transmission neutral safety interlock switch is required.

NOTE 6: 13100H with front center stabilizer will be approximate 40 ft overall length. 13110H will exceed 40 ft overall length.

3

1300H

specifications

Boom and Jib Combinations Data

AVAILABLE IN THREE BASIC MODELS.

4

Model 1369H — Equipped with a 22 to 69 ft (6.7-21.03 m) four-section boom. Maximum tip height is 78 ft (23.77 m).

22-69 ft (6.7-21.05 m) four-section boom.



Model 13100H — Equipped with a 29 to 100 ft (8.83-30.48 m) four-section boom. This model can be equipped with a 25-44 ft (7.62-13.41 m) two section jib. Maximum tip height w/44 ft (13.41 m) jib is 153 ft (44.63 m).

29-100 ft (8.83-30.48 m) four-section boom.

13FJ44M 25-44 ft (7.62-13.41 m) two-section jib



Model 13110H — Equipped with a 33 to 110 ft (10.05-33.52 m) four-section boom. This model can be equipped with a 25-44 ft (7.62-13.41 m) two-section jib. Maximum tip height w/44 ft (13.41 m) jib is 163 ft (49.68 m).

33-110 ft (10.05-33.52 m) four-section boom.








13FJ44M 25-44 ft (7.62-13.41 m) two-section jib



Note: Maximum tip height is measured with outriggers/stabilizers fully extended.

1300H Winch Data

- Do not deadhead line block against boom tip when extending boom.
- Keep at least 3 wraps of loadline on drum at all times.
- Use only 9/16" diameter rotation-resistant cable with 38,500 pounds breaking strength on this machine.

			1 Part Line	2 Part Line	3 Part Line	4 Part Line	5 Part Line	6 Part Line	7 Part Line
									
MAXIMUM BOOM LENGTH AT MAXIMUM ELEVATION WITH RIGGING SHOWN WITH LOAD BLOCK AT GROUND LEVEL			69 ft boom jib	69 ft	69 ft	61 ft	51 ft	31 ft	21 ft
			144 ft boom jib	100 ft	75 ft	60 ft	50 ft	43 ft	36 ft
			154 ft boom jib	110 ft	94 ft	78 ft	62 ft	46 ft	32 ft
Winch	Average Cable Supplied	Breaking Strength	Lift and Speed	Lift and Speed	Lift and Speed	Lift and Speed	Lift and Speed	Lift and Speed	Lift and Speed
Standard Planetary Winch	9/16 in Diameter Rotation Resistant	38,500 lb (17 464 kg)	7,700 lb (3493 kg) 164 fpm (50 m/min)	15,400 lb (6986 kg) 82 fpm (25 m/min)	23,100 lb (10 478 kg) 55 fpm (16 m/min)	30,800 lb (13 971 kg) 41 fpm (12 m/min)	38,500 lb (17 464 kg) 33 fpm (10 m/min)	46,200 lb (20 956 kg) 27 fpm (8 m/min)	53,900 lb (24 449 kg) 23 fpm (7 m/min)
"Burst of Speed"	9/16 in Diameter Rotation Resistant	38,500 lb (17 464 kg)	3,000 lb (1361 kg) 265 fpm (111 m/min)	6,000 lb (2722 kg) 132 fpm (40 m/min)	9,000 lb (4083 kg) 88 fpm (27 m/min)	12,000 lb (5443 kg) 66 fpm (20 m/min)	15,000 lb (6804 kg) 53 fpm (16 m/min)	18,000 lb (8 165 kg) 44 fpm (13 m/min)	21,000 lb (9 526 kg) 38 fpm (11 m/min)

All winch pulls and speeds in this chart are shown on the fourth layer. Winch line pulls would increase on the first, second and third layers. Winch line speed would decrease on the first, second and third layers. Winch line pulls may be limited by the winch capacity or the ANSI 5 to 1 cable safety factor. These are shown below:

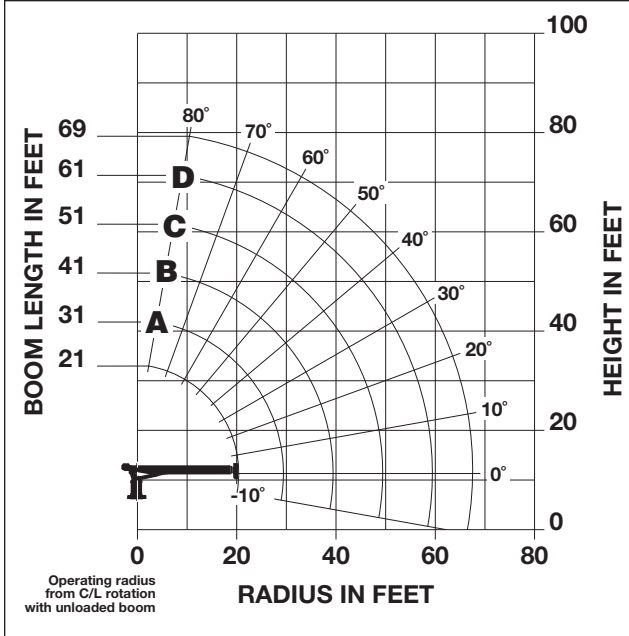
Winch	4th Layer Drum Pull	Allowable Cable Pull
Standard planetary	7,700 lb (3493 kg) (low speed) 3,000 lb (1361 kg) ("burst of speed")	7,700 lb (3492 kg)

Block Type	Rating	Weight
Downhaul Weight	5 USt (4.53t)	150 lb (68 kg)
1 Sheave Block	12 USt (10.89t)	305 lb (139 kg)
2 Sheave Block	19 USt (17.24t)	350 lb (159 kg)
3 Sheave Block	30 USt (27.22t)	575 lb (261 kg)

1300H

Load Rating Chart: Series 1369H with 69 ft Boom / Fullspan Outrigger & Stabilizer

Other Series 1300H Load Rating Charts are available. National Crane will send you a chart on request – or you may secure needed load rating information through your nearest National Crane dealer.



CAUTION:

- Do not operate crane booms, jib extensions, any accessories or loads within 10 ft (3m) of live power lines or other conductors of electricity.
- Jib and boom capacities shown are maximum for each section.
- Do not exceed capacities at reduced radii.
- Load ratings shown on the appropriate charts are maximum allowable loads with the crane mounted on a factory-approved truck and all outriggers at either full span or at mid span range and set on a firm level surface so that the crane is level and all tires are suspended.
- Always level the crane with the level indicator located on the crane.
- The operator must reduce load to allow for factors such as wind, ground conditions, operating speeds and their effects on freely suspended loads.
- Overloading this crane may cause structural collapse or instability.
- Weights on any accessories attached to the boom or loadline must be deducted from the load chart capacities.
- Do not deadhead lineblock against boom tip when extending boom or winching up.
- Keep at least three wraps of loadline on drum at all times.
- Use only specified cable with this machine.

SERIES 1369H WITH 69 ft BOOM/NO JIB FULL SPAN OUTRIGGER & STABILIZER

- NOTE:**
1. Operate with jib by radius when main boom is fully extended. If necessary increase boom angle to maintain loaded radius.
 2. Operate with jib by boom angle when main boom is not fully extended. Do not exceed rated jib capacities at any reduced boom lengths.

LOADLINE EQUIPMENT DEDUCT

Downhaul weight	150 lb (68 kg)
One sheave block.....	305 lb (139 kg)
Two sheave block.....	350 lb (159 kg)
Three sheave block	575 lb (261 kg)

Load Rating: Series 1369H with 69 ft Boom / Fullspan Outrigger & Stabilizer

LOADED RADIUS (ft)	LOADED BOOM ANGLE (deg)	21 ft BOOM (lb)	LOADED BOOM ANGLE (deg)	A 31 ft BOOM (lb)	LOADED BOOM ANGLE (deg)	B 41 ft BOOM (lb)	LOADED BOOM ANGLE (deg)	C 51 ft BOOM (lb)	LOADED BOOM ANGLE (deg)	D 61 ft BOOM (lb)	LOADED BOOM ANGLE (deg)	69 ft BOOM (lb)
5	71.6	* 60,000										
8	62.5	47,500	71.7	33,500	76.9	33,400						
10	56	40,300	67.7	33,100	74	32,300	78.1	35,000				
12	49	34,900	63.6	32,700	71.2	31,100	75.7	30,100	78.9	29,000		
15	36.5	28,600	56.9	27,300	66.5	25,900	72	24,900	75.8	24,200	78.1	19,350
20			44.4	21,200	58.3	20,300	65.8	19,500	70.8	18,850	73.6	18,450
25			27.5	16,550	49.2	16,600	59.2	16,000	65.5	15,450	69	15,050
30					38.6	13,800	52.1	13,500	60	13,050	64.3	12,700
35					24	10,600	44.1	10,750	54	10,850	59.4	10,950
40							34.6	8,650	47.6	8,750	54.2	8,950
45							23	7,200	41	7,300	48.6	7,350
50									32.5	6,050	43	6,100
55									21.2	5,100	36	5,150
60											27.3	4,350
65											13.7	3,700
	0	15,000	0	10,000	0	7,000	0	5,000	0	3,800	0	3,625

- Note:**
1. All capacities are in pounds, angles in degrees, and radii in feet.
 2. Loaded boom angles are given as reference only.
 3. Shaded areas are structurally limited capacities.
 4. Handling of personnel is only permitted with full span extension of all outrigger and stabilizer beams.
 - *5. See owners manuals. The 60,000 lb load requires optional 9/16 in diameter 6x25 IWRC cable.

*SHADED AREAS ARE STRUCTURALLY LIMITED CAPACITIES

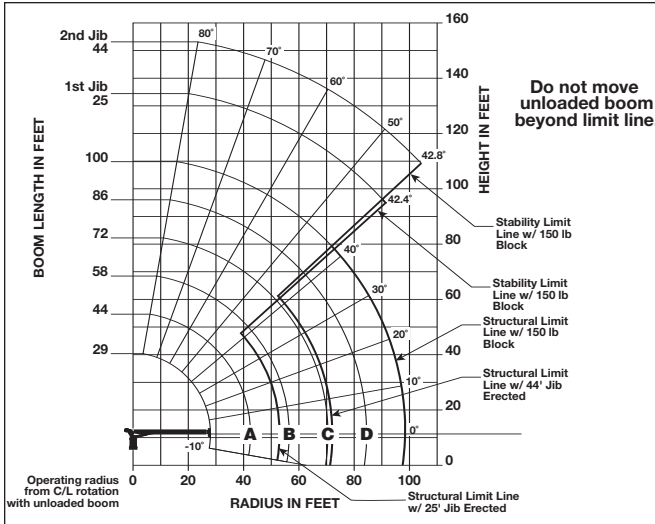
THIS CHART IS ONLY A GUIDE AND SHOULD NOT BE USED TO OPERATE THE CRANE. The individual crane's load chart, operating instructions and other instructional plates must be read and understood prior to operating the crane.

capacities

Load Rating Chart: Series 13100H with 25-44 ft Jib / Fullspan Outrigger & Stabilizer

Other Series 1300H Load Rating Charts are available. National Crane will send you a chart on request – or you may secure needed load rating information through your nearest National Crane dealer.

6



CAUTION:

- Do not operate crane booms, jib extensions, any accessories or loads within 10 ft (3m) of live power lines or other conductors of electricity.
- Jib and boom capacities shown are maximum for each section.
- Do not exceed capacities at reduced radii.
- Load ratings shown on the load rating charts are maximum allowable loads with the outriggers properly extended and the outrigger lock pins engaged on a firm, level surface and the crane leveled and mounted on a factory recommended truck.
- Always level the crane with the level indicator located on the crane.
- The operator must reduce load to allow for factors such as wind, ground conditions, operating speeds and their effects on freely suspended loads.
- Overloading this crane may cause structural collapse or instability.
- Weights on any accessories attached to the boom or loadline must be deducted from the load chart capacities.
- Do not deadhead lineblock against boom tip when extending boom or winching up.
- Keep at least three wraps of loadline on drum at all times.
- Use only specified cable with this machine.

NOTE:

- Operate with jib by radius when main boom is fully extended. If necessary increase boom angle to maintain loaded radius.
- Operate with jib by boom angle when main boom is not fully extended. Do not exceed rated jib capacities at any reduced boom lengths.

**SERIES 13100H
WITH 25-44 ft
JIB FULL SPAN
OUTRIGGER
& STABILIZER**

LOADLINE EQUIPMENT DEDUCT

Downhaul weight.....150 lb (68 kg)
One sheave block.....305 lb (139 kg)
Two sheave block.....350 lb (159 kg)
Three sheave block...575 lb (261 kg)

Load Rating Chart: Series 13100H with 25-44 ft Jib / Fullspan Outrigger & Stabilizer

29 ft – 100 ft BOOM RATED LOADS WITHOUT JIB

LOADED RADIUS (ft)	LOADED BOOM ANGLE (deg)	29 ft BOOM (lb)	LOADED BOOM ANGLE (deg)	A 44 ft BOOM (lb)	LOADED BOOM ANGLE (deg)	B 58 ft BOOM (lb)	LOADED BOOM ANGLE (deg)	C 72 ft BOOM (lb)	LOADED BOOM ANGLE (deg)	D 86 ft BOOM (lb)	LOADED BOOM ANGLE (deg)	100 ft BOOM (lb)
5	77.3	*60,000										
8	70.8	44,000	77.9	29,100								
10	66.4	36,900	75.3	29,000								
12	61.8	33,450	72.7	28,600	78	28,600						
15	54.5	28,300	68.4	24,600	74.8	23,500	79	22,900				
20	40.6	21,950	60.9	21,000	69.4	19,000	74.6	17,450	78.3	16,300	79.9	10,650
25	19.9	15,700	52.7	17,500	63.8	16,500	70.3	15,700	74.8	13,700	77.3	10,450
30			43.5	12,800	57.9	13,200	65.8	13,500	71	11,350	74.4	10,000
35			32.2	10,150	51.6	10,100	61.1	10,400	67.3	10,600	71.8	9,400
40			16.3	7,850	45	8,000	56.6	8,250	63.8	8,450	68.9	8,050
45					37	6,500	51.3	6,700	59.6	6,900	65.6	7,100
50					26.9	5,250	45.5	5,500	55.3	5,650	62	5,850
55							39.1	4,500	50.8	4,700	58.2	4,850
60							31.7	3,700	45.9	3,800	54.4	4,000
65							22.1	3,050	40.6	3,150	50.5	3,300
70									34.7	2,600	46.3	2,750
75									27.7	2,100	41.8	2,250
80									18.2	1,700	36.8	1,800
85											31.2	1,450
90											24.4	1,150
95											14.6	900
	0	10,000	0	7,600	0	4,350	0	2,600	0	1,550	0	800

25 – 44 ft JIB RATED LOADS

LOADED RADIUS (ft)	LOADED BOOM ANGLE (deg)	25 ft JIB (lb)	LOADED BOOM ANGLE (deg)	44 ft JIB (lb)
35	77.9	4,900		
40	76.5	4,500		
45	73.7	4,050	75.9	2,500
50	71.2	3,700	74.3	2,500
55	68.7	3,400	72.4	2,500
60	66.2	3,150	70.2	2,300
65	63.7	3,000	68.1	2,200
70	60.7	2,700	66	2,100
75	57.5	2,250	63.8	2,000
80	53.9	1,800	61.3	1,850
85	50.2	1,350	59	1,800
90	46.2	1,000	56	1,500
95	42.4	700	52.8	1,200
100			49.5	900
105			46	600
110			42.8	500

RATED LOAD REDUCTIONS WITH STOWED JIB

BOOM LENGTH (ft)	25 – 44 ft JIB STOWED
29	Reduce load 800 lb
44	Reduce load 600 lb
58	Reduce load 450 lb
72	Reduce load 350 lb
86	Reduce load 300 lb
100	Reduce load 250 lb

*SHADED AREAS ARE STRUCTURALLY LIMITED CAPACITIES

Note:

- All capacities are in pounds, angles in degrees, and radii in feet.
- Loaded boom angles are given as reference only.
- Shaded areas are structurally limited capacities.
- Handling of personnel is only permitted with full span extension of all outrigger and stabilizer beams.
- See owners manuals. The 60,000 lb load requires optional 9/16 in diameter 6x25 IWRC cable.

THIS CHART IS ONLY A GUIDE AND SHOULD NOT BE USED TO OPERATE THE CRANE. The individual crane's load chart, operating instructions and other instructional plates must be read and understood prior to operating the crane.

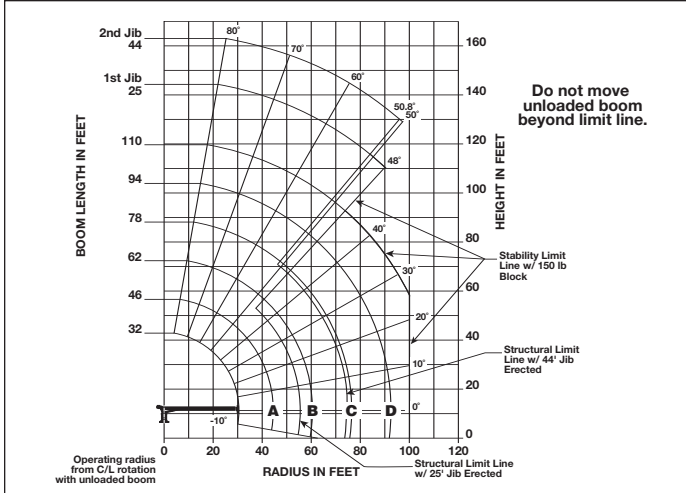
1300H

capacities

7

Load Rating Chart: Series 13110H with 25-44 ft Jib / Fullspan Outrigger & Stabilizer

Other Series 1300H Load Rating Charts are available. National Crane will send you a chart on request – or you may secure needed load rating information through your nearest National Crane dealer.



CAUTION:

- Do not operate crane booms, jib extensions, any accessories or loads within 10 ft (3m) of live power lines or other conductors of electricity.
- Jib and boom capacities shown are maximum for each section.
- Do not exceed capacities at reduced radii.
- Load ratings shown on the appropriate charts are maximum allowable loads with the crane mounted on a factory-approved truck and all outriggers at either full span or at mid span range and set on a firm level surface so that the crane is level and all tires are suspended.
- Always level the crane with the level indicator located on the crane.
- The operator must reduce load to allow for factors such as wind, ground conditions, operating speeds and their effects on freely suspended loads.
- Overloading this crane may cause structural collapse or instability.
- Weights on any accessories attached to the boom or loadline must be deducted from the load chart capacities.
- Do not deadhead lineblock against boom tip when extending boom or winching up.
- Keep at least three wraps of loadline on drum at all times.
- Use only specified cable with this machine.

SERIES 13110H WITH 25-44 ft JIB FULL SPAN OUTRIGGER & STABILIZER

LOADLINE EQUIPMENT DEDUCT

- Downhaul weight.....150 lb (68 kg)
- One sheave block305 lb (139 kg)
- Two sheave block.....350 lb (159 kg)
- Three sheave block.....575 lb (261 kg)

NOTE:

1. Operate with jib by radius when main boom is fully extended. If necessary increase boom angle to maintain loaded radius.
2. Operate with jib by boom angle when main boom is not fully extended. Do not exceed rated jib capacities at any reduced boom lengths.

Load Rating: Series 13110H with 25-44 ft Jib / Fullspan Outrigger & Stabilizer

32 ft – 110 ft BOOM RATED LOADS WITHOUT JIB

LOADED RADIUS (ft)	LOADED BOOM ANGLE (deg)	32 ft BOOM (lb)	LOADED BOOM ANGLE (deg)	A 46 ft BOOM (lb)	LOADED BOOM ANGLE (deg)	B 62 ft BOOM (lb)	LOADED BOOM ANGLE (deg)	C 78 ft BOOM (lb)	LOADED BOOM ANGLE (deg)	D 94 ft BOOM (lb)	LOADED BOOM ANGLE (deg)	110 ft BOOM (lb)
6	76.7	*60,000										
8	72.5	43,000	78.6	29,100								
10	68.5	35,900	76.1	29,000								
12	64.4	32,000	73.6	28,000	78	28,000						
15	57.9	27,000	69.5	24,000	76.1	23,000	80	19,500				
20	45.9	19,500	62.5	18,300	71.1	17,500	78.4	17,500	80	16,300		
25	30.6	14,900	55	14,500	65.9	14,050	72.4	14,000	76.8	13,700	79.3	10,450
30			46.3	12,000	60.8	11,600	68.2	11,500	73.4	11,350	76.5	9,150
35			36.2	9,450	54.8	9,800	64	9,700	70.1	10,600	74.1	8,950
40			23.9	7,250	48.5	8,100	59.6	8,300	66.7	8,450	71.2	7,700
45					42	6,550	55.4	7,000	63.3	6,900	68.7	6,950
50					34	5,300	50.4	5,550	59.4	5,650	65.6	5,900
55					23.8	4,300	45	4,550	55.4	4,700	62.3	4,900
60							39	3,700	51.3	3,800	58.9	4,000
65							32.1	3,000	46.8	3,100	55.4	3,300
70							23.5	2,350	42.1	2,550	51.8	2,700
75									36.9	2,050	48.1	2,200
80									30.9	1,650	44.2	1,750
85									23.4	1,250	39.9	1,400
90									11.9	900	35.2	1,050
95											29.9	750
100											23.4	500
0		8,000	0	4,800	0	2,600	0	1,200	0	850		

25 – 44 ft JIB RATED LOADS

LOADED RADIUS (ft)	LOADED BOOM ANGLE (deg)	25 ft JIB (lb)	LOADED BOOM ANGLE (deg)	44 ft JIB (lb)
40	77.4	4,400		
45	75.8	4,400		
50	73.6	4,100	76.7	2,700
55	69.5	1,900	75.1	2,650
60	66.6	1,450	73.2	2,500
65	63.8	1,000	71.1	2,300
70	60.8	600	69.2	1,250
75			64.5	750
80			61.7	500

RATED LOAD REDUCTIONS WITH STOWED JIB

BOOM LENGTH (ft)	25 – 44 ft JIB STOWED
32	Reduce load 800 lb
46	Reduce load 600 lb
62	Reduce load 450 lb
78	Reduce load 350 lb
94	Reduce load 300 lb
110	Reduce load 250 lb

*SHADED AREAS ARE STRUCTURALLY LIMITED CAPACITIES

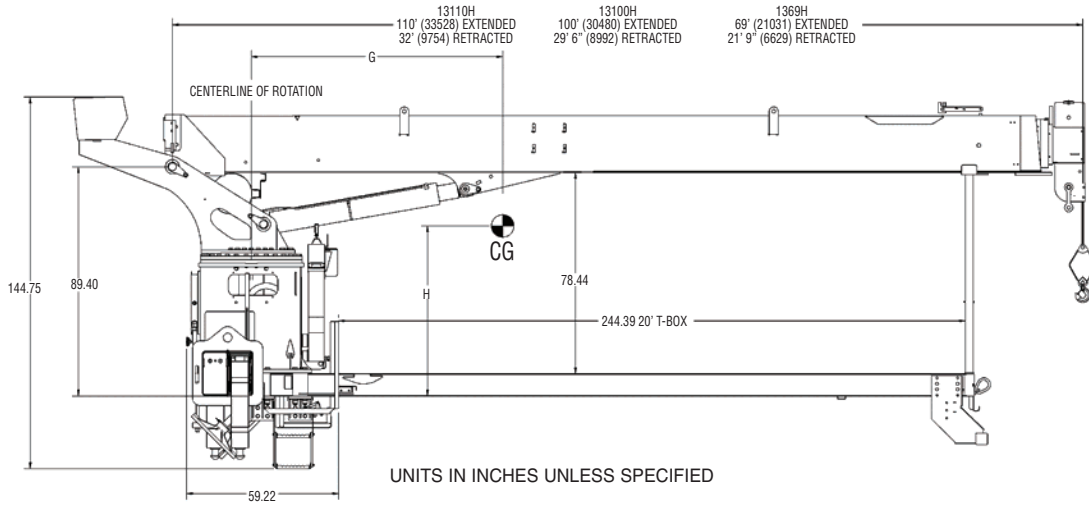
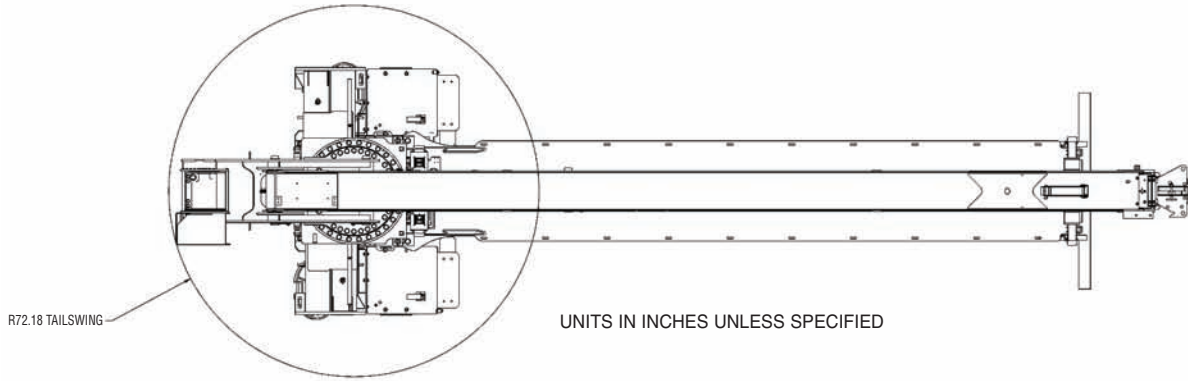
Note:

1. All capacities are in pounds, angles in degrees, and radii in feet.
2. Loaded boom angles are given as reference only.
3. Shaded areas are structurally limited capacities.
4. Handling of personnel is only permitted with full span extension of all outrigger and stabilizer beams.
- *5. See owners manuals. The 60,000 lb load requires optional 9/16 in diameter 6x25 IWRC cable.

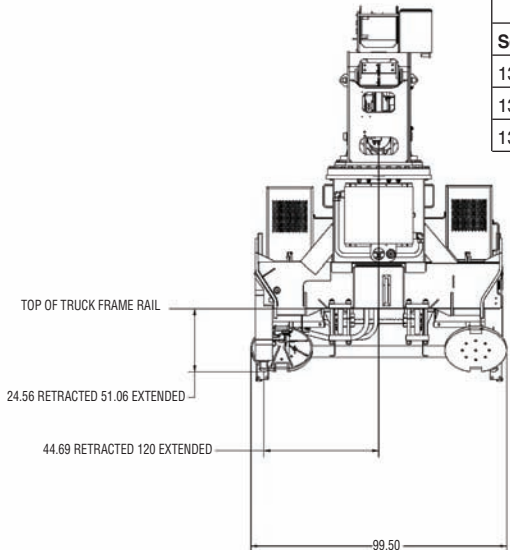
THIS CHART IS ONLY A GUIDE AND SHOULD NOT BE USED TO OPERATE THE CRANE. The individual crane's load chart, operating instructions and other instructional plates must be read and understood prior to operating the crane.

dimensions

8



G CENTER OF GRAVITY FROM CENTERLINE				
Series	G	H	DRY WEIGHT*	W/OIL WEIGHT*
1369H	61.2 in [155 cm]	59.8 in [152 cm]	18,462 lb [8,374 kg]	19,196 lb [8,707 kg]
13100H	89.1 in [226 cm]	64.1 in [163 cm]	20,608 lb [9,348 kg]	21,342 lb [9,681 kg]
13110H	98.7 in [251 cm]	65.4 in [166 cm]	21,346 lb [9,682 kg]	22,080 lb [10,015 kg]



* ABOVE WEIGHTS DO NOT INCLUDE RESERVOIR, RSOD, JIB, PTO, PUMP, BED

** WEIGHT INCLUDES BOOM, WINCH, ROPE, TURRET, LIFT CYLINDER, FRAME, CONTROLS, OUTRIGGERS, PLATFORMS, TORQUE BOX, BOOM REST, BUMPER, DOWNHAUL WEIGHT

1300H

Radio Remote Controls –

Eliminate the handling and maintenance concerns that accompany cabled remotes. Operate to a range of about 250 ft (76 m), varying with conditions.

• **NB4R**

One-Person Basket –

Strong but lightweight steel basket with 300 lb (139 kg) capacity, gravity hung with swing lock and full body harness.

• **B1-S**

• **2B1-S** (for dual locking baskets)

Heavy-duty Personnel Basket –

1,200 lb (544 kg) capacity steel basket with safety loops for four passengers. Gravity leveling 72 x 42 inch (183 x 107 cm) platform. Fast attachment and secure locking systems. Load chart must show 2,300 lb (1043 kg) minimum to operate this accessory.

• **BSA-1**

• **BSA-R1** (provides rotation)

Winch Drum Rotation Indicator

• **WDRI**

Last Wrap Indicator Option on winch with indicator on Easy Reach console.

• **LLI**

Single Front Outrigger

Center front stabilizer with a 25 in vertical stroke

• **SFO**

Steel Tool Box Options

Bulkhead-steel for super-duty beds

• **BHSD**

notes

10

1300H

Regional Headquarters

Americas

Manitowoc, Wisconsin, USA

Tel: +1 920 684 6621

Fax: +1 920 683 6278

Shady Grove, Pennsylvania, USA

Tel: +1 717 597 8121

Fax: +1 717 597 4062

Regional Offices

Americas

Brazil

Alphaville

Tel: +55 11 4688 2716

Fax: +55 11 4191 1471

Mexico

Monterrey

Tel: +52 81 8124 0128

Fax: +52 81 8124 0129

Europe, Middle East, Africa

Algeria

Hydra

Tel: +21 3 21 48 1173

Fax: +21 3 21 48 1454

Czech Republic

Netvorice

Tel: +420 317 78 9313

Fax: +420 317 78 9314

France

Baudemont

Tel: +33 385 28 2589

Fax: +33 385 28 0430

Cergy

Tel: +33 130 31 3150

Fax: +33 130 38 6085

Decines

Tel: +33 472 81 5000

Fax: +33 472 81 5010

Germany

Langenfeld

Tel: +49 21 73 8909-0

Fax: +49 21 73 8909 30

Hungary

Budapest

Tel: +36 13 39 8622

Fax: +36 13 39 8622

Italy

Parabiago

Tel: +390 331 49 3311

Fax: +390 331 49 3330

Europe, Middle East, Africa

Ecully, France

Tel: +33 472 18 2020

Fax: +33 472 18 2000

Netherlands

Breda

Tel: +31 76 578 3999

Fax: +31 76 578 3978

Poland

Warsaw

Tel: +48 22 843 3824

Fax: +48 22 843 3471

Portugal

Alfena

Tel: +351 229 69 8840

Fax: +351 229 69 8848

Lisbon

Tel: +351 212 109 340

Fax: +351 212 109 349

Russia

Moscow

Tel: +7 495 641 2359

Fax: +7 495 641 2358

U.A.E.

Dubai

Tel: +971 4 3381 861

Fax: +971 4 3382 343

U. K.

Middlesex

Tel: +44 1 895 43 0053

Fax: +44 1 895 45 9500

Sunderland

Tel: +44 191 522 2000

Fax: +44 191 522 2052

Asia – Pacific

Australia

Melbourne

Tel: +61 3 9 336 1300

Fax: +61 3 9 336 1322

Sydney

Tel: +61 2 9 896 4433

Fax: +61 2 9 896 3122

Asia – Pacific

Shanghai, China

Tel: +86 21 51113579

Fax: +86 21 51113578

Singapore

Tel: +65 6264 1188

Fax: +65 6862 4142

China

Beijing

Tel: +86 10 58674761

Fax: +86 10 58674760

Xi'an

Tel: +86 29 87891465

Fax: +86 29 87884504

Korea

Seoul

Tel: +82 2 3439 0400

Fax: +82 2 3439 0405

Philippines

Makati City

Tel: +63 2 844 9437

Fax: +63 2 844 4712

Factories

U.S.A.

Manitowoc

Port Washington

Shady Grove

Brazil

Alphaville

France

Charlieu

La Clayette

Moulins

India

Calcutta

Pune

Italy

Niella Tanaro

Germany

Wilhelmshaven

Portugal

Fânzeres

China

Zhangjiagang



Constant improvement and engineering progress make it necessary that we reserve the right to make specification, equipment and price changes without notice. Illustrations shown may include optional equipment and accessories, and may not include all standard equipment.