

LIBERATOR 6000

36,000 ft-lbs Crane Rating



Better by design

ETI is committed to designing and manufacturing the best electric hydraulic crane value in the industry. Our cranes are innovatively designed to perform to a higher standard of durability and reliability, and to provide the maximum duty cycle possible in an electric crane. We've backed that commitment with our limited lifetime structural warranty and factory direct technical support. You can be assured that your new Liberator crane will provide many years of dependable service.

ETI
A PALFINGER Company

LIBERATOR 6000

Liberator 6000 cranes come complete with 25' power cable, all wiring harnesses required to hook up, and a 225 amp fuse.

A 25' remote control pendant, mounting bolts and owner's manual are also included. All Liberator 6000 cranes are shipped assembled, factory tested and ready to go to work.

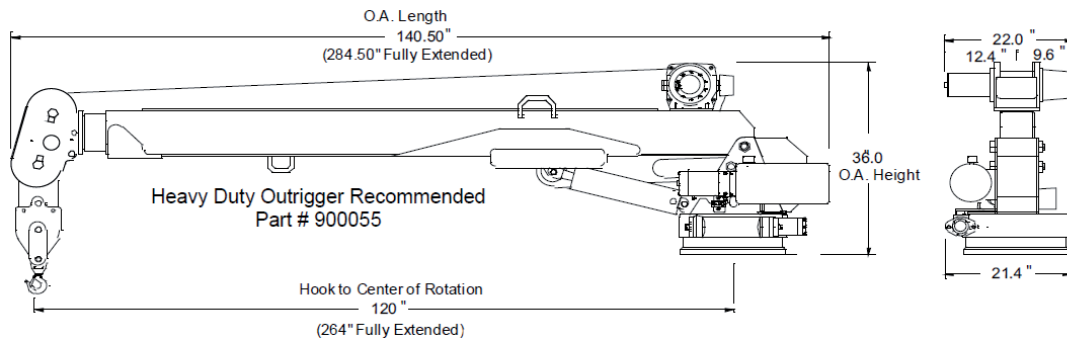
2 ea. 1000 amp CCA batteries are required. A 150 amp alternator is recommended. 14,500 GVW chassis recommended minimum.

Maximum lifting capabilities

6000 lbs	6'
5143 lbs	7'
4500 lbs	8'
3600 lbs	10'
3000 lbs	12'
2571 lbs	14'
2250 lbs	16'
2000 lbs	18'
1800 lbs	20'
1636 lbs	22'

Features

- Self-contained 12 Volt DC hydraulic system supplies 2.2 gallons per min, powered by high-output extended on time series wound motor.
- Automatic overload protection prevents hoist up, boom extension and boom down.
- Anti two-block system is standard on all cranes with power extension.
- Large diameter, self-locking, all steel worm gear rotation drive is mounted on steel slewing ring crane bearing and provides unlimited continuous power rotation.
- Load cushioning counterbalance/check valves on all cylinders for precise load holding and handling.
- Safety valves on all cylinders prevents load drop if hose fails.
- 100% Solid-state control system has arc-suppression circuitry for extended life of switches, contactors and motors. No mechanical control relays used.
- Powder coat finish for high gloss and durability.
- Hydraulic boom elevates using exclusive Power Arm technology from -5° to +75°.
- 25' non-metallic, remote control with "Quik-Turn" quick disconnect.
- Planetary gear hoist is designed for maximum power, efficiency and hook speed.
- Industrial grade electrical contactors, no automotive type solenoids.
- 100ft of 5/16" wire rope. Hoist drum and wire rope are on the outside of the boom where they are visible to the operator.
- Polymer wire rope pulleys reduce wire rope wear and are permanently lubricated.
- Boom extensions slide on low friction self-lubricating polymer slide pads.
- Meets OSHA 1910.180 requirements, and ANSI B30.5 safety standards.
- Mounting bolts provided (4 ea. 1" grade 8).



Model	Power Boom	Power Extend	Manual Extend	Weight	O.A. Length Retracted	O.A. Width
LIB 6000 PXTW16	Yes	10' to 16'	No	1450 lbs.	11' - 6"	22"
LIB 6000 LS	Yes	10' to 22'	No	1600 lbs.	11' - 8 1/2"	22"