

# maxilift

## TECHNICAL SHEET



# maxilift 180

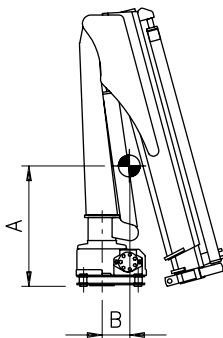
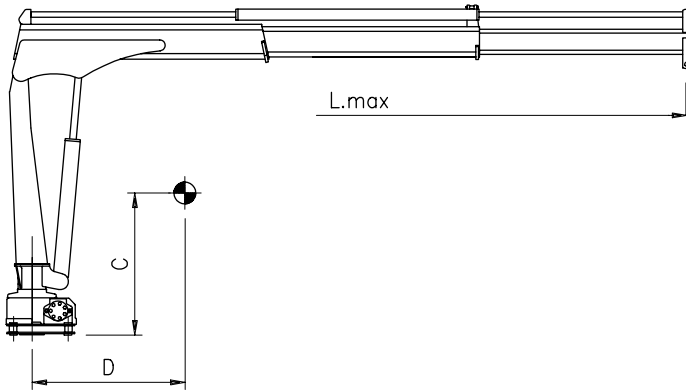
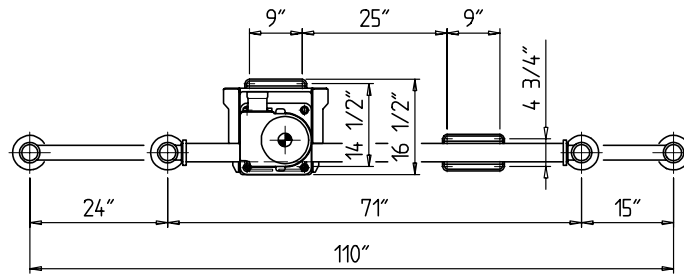
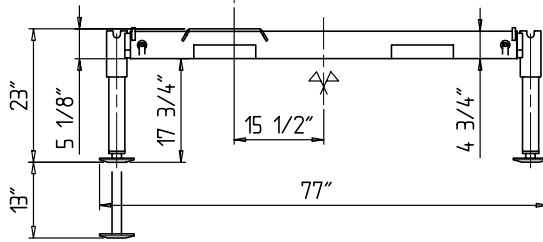
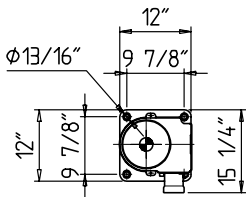
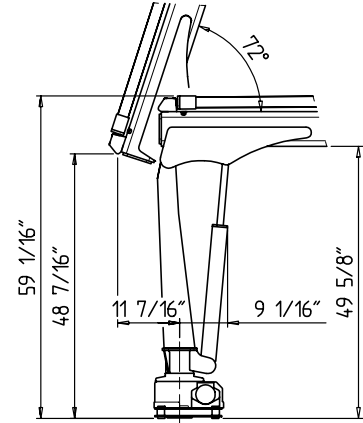
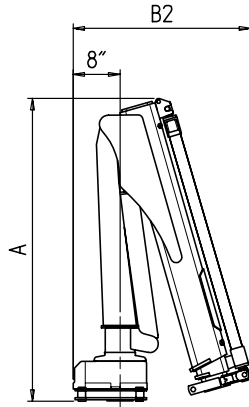
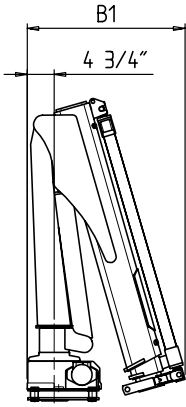
Cod.: MP.0.166 US  
Rev.: 0



**Next Hydraulics**®



DIMENSIONS			
CRANE	A	B1	B2
180.2	52"	27"	30 3/4"
180.3	52 3/4"	31"	34 5/8"



CRANE	A	B	C	D	L max
180.2	20 1/2"	5 1/2"	32 3/4"	24"	118"
180.3	20 7/8"	6 3/4"	34 5/8"	33"	157"

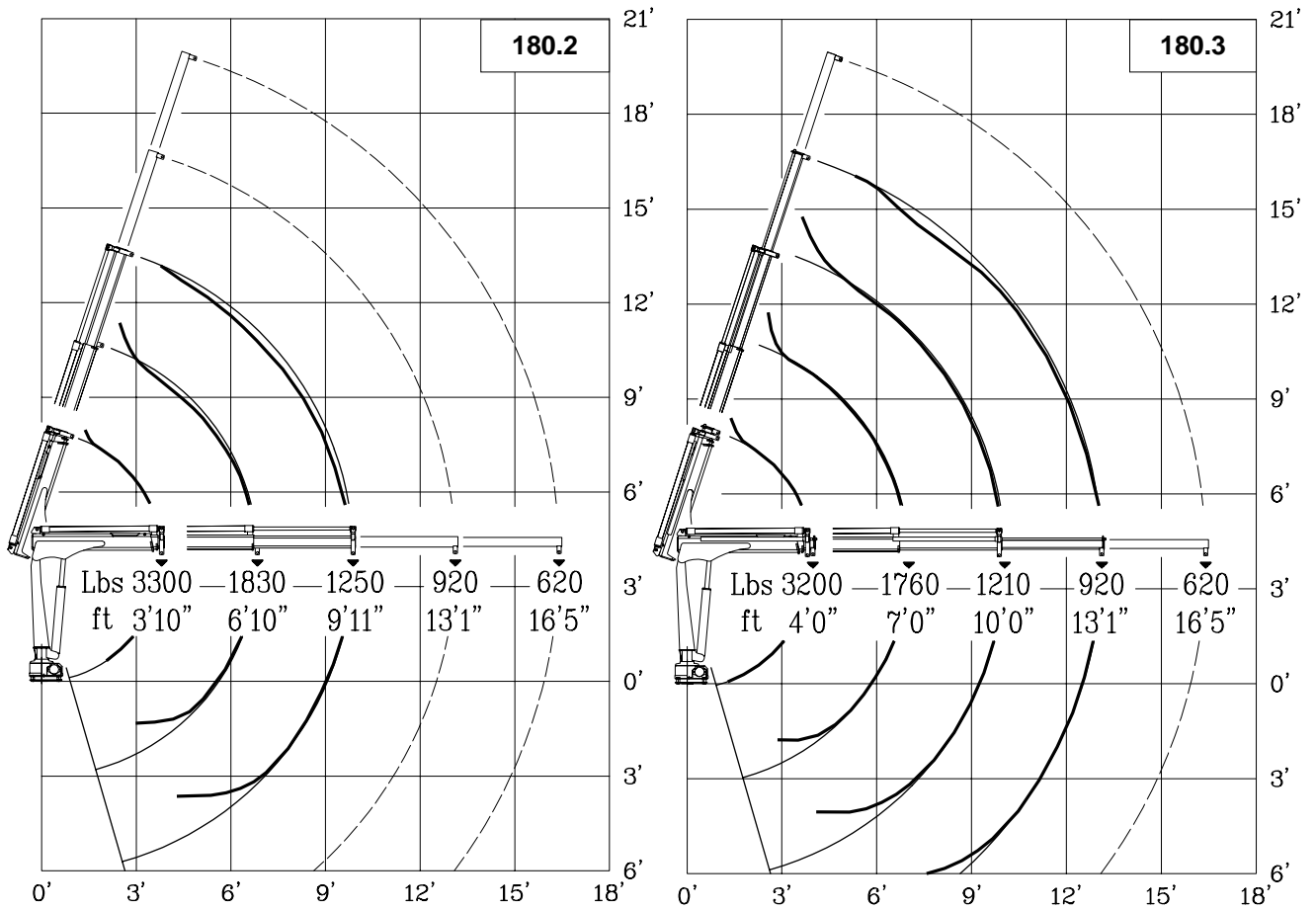
TECHNICAL DATA	U.M.	VERSION	
		180.2	180.3
CRANE RATING	ft lbs	12550	
STANDARD EXTENSIONS Nr (HYDRAULICS)	N°	2H	3H
STANDARD OUTREACH	ft	9' 11"	13' 1"
SLEWING ANGLE	°	330°	
MAXIMUM ANGLE SLOPE	°	5°	
SLEWING TORQUE	ft lbs	1475	
MAX. LIFTING HEIGHT FROM CRANE BASE	ft	13' 1"	16' 5"
SUGGESTED OIL FLOW	gpm	1.6÷2.1	
MAX. WORKING PRESSURE	p.s.i.	3045	
BASIC CRANE WEIGHT VERS. "H" VERS. "E"	lbs	395	420
		440	460
BASE WEIGHT WITH EXTENDABLE STABILIZERS	lbs	225÷240	
BEAM WEIGHT WITH 2 EXTENDABLE STABILIZERS	lbs	150÷180	
MOTOR ABSORPTION FOR ELECTROHYDR. CRANE 12V	A min/max	70/170	70/170
MOTOR ABSORPTION FOR ELECTROHYDR. CRANE 24V	A min/max	35/85	35/85

WINCH SPECIFICATIONS	U.M.	
MAX. WINCH SINGLE LINE CAPACITY (3 <sup>rd</sup> LAYER)	lbs	1100
ROPE DIAMETER	inches	1/4"
ROPE LENGTH	ft	82
WINCH KIT WEIGHT	lbs	110

VERSION	DESCRIPTION
"E" 12V	ELECTROHYDRAULIC
"E" 24V	ELECTROHYDRAULIC
"H"	HYDRAULIC

OPERATING TIMES								
VERS.	SLEWING (rpm)	LIFTING (sec)		LOWERING (sec)	EXTENSION OUT (sec)		EXTENSION IN (sec)	
		p min	p max		180.2	180.3	180.2	180.3
"E" 12/24V	1.8	17	32	12	25	33	12	17
"H" (PTO)	2.0	17		12	25	33	12	17

p min: min. working pressure  
p max: max. working pressure



Lifting class **HC1 – HD4/B2**