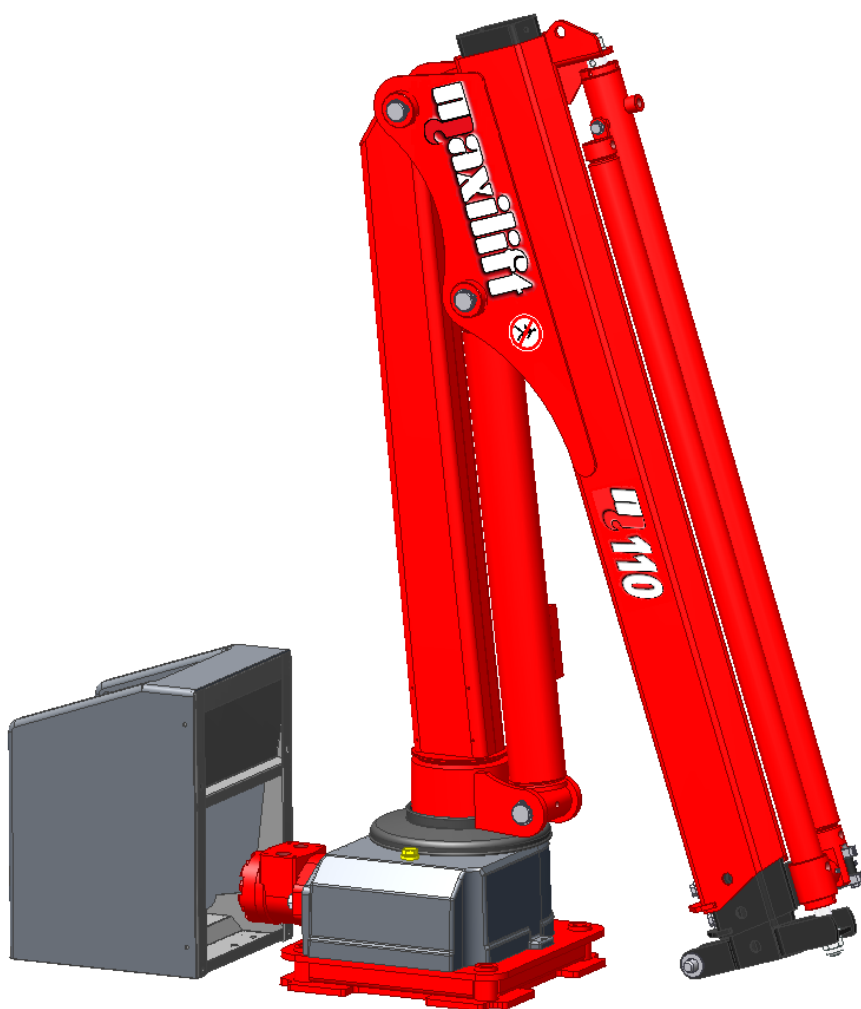


maxilift

TECHNICAL SHEET



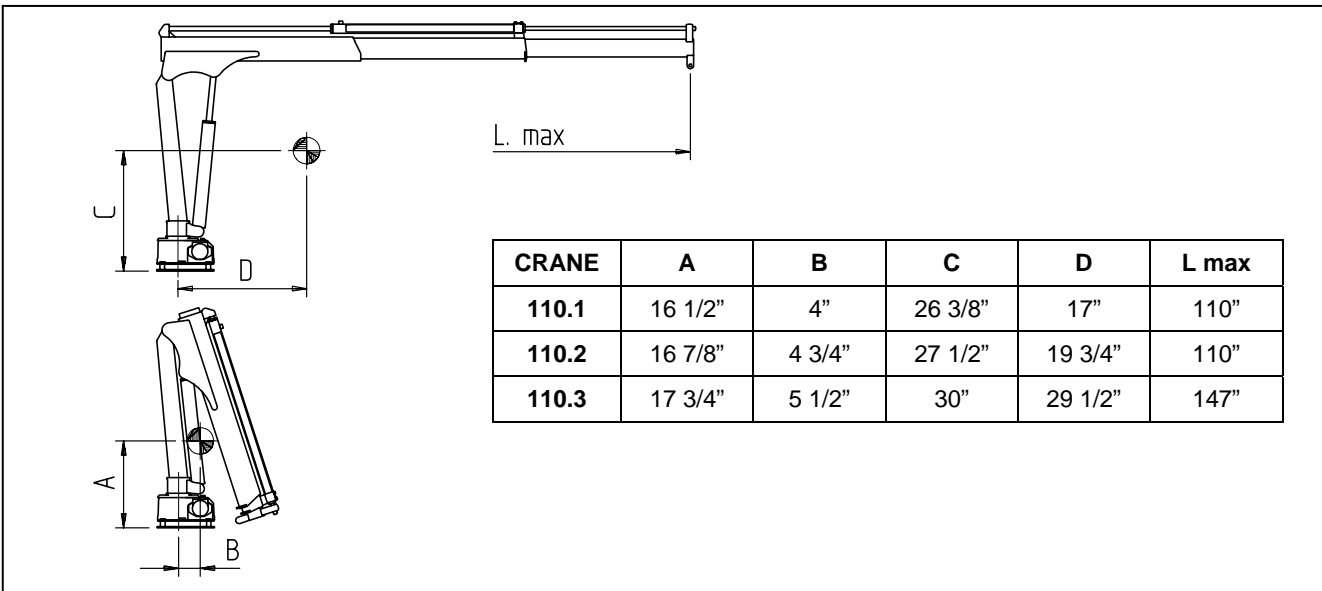
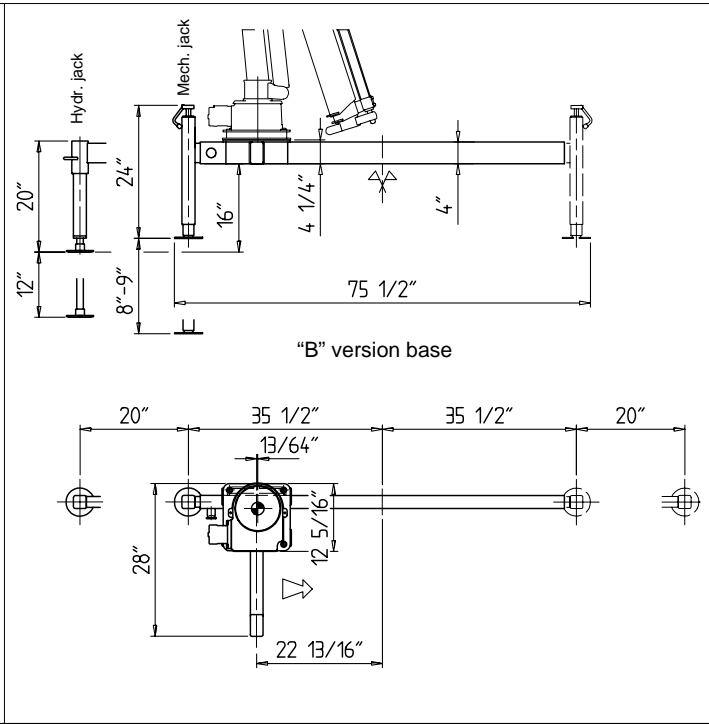
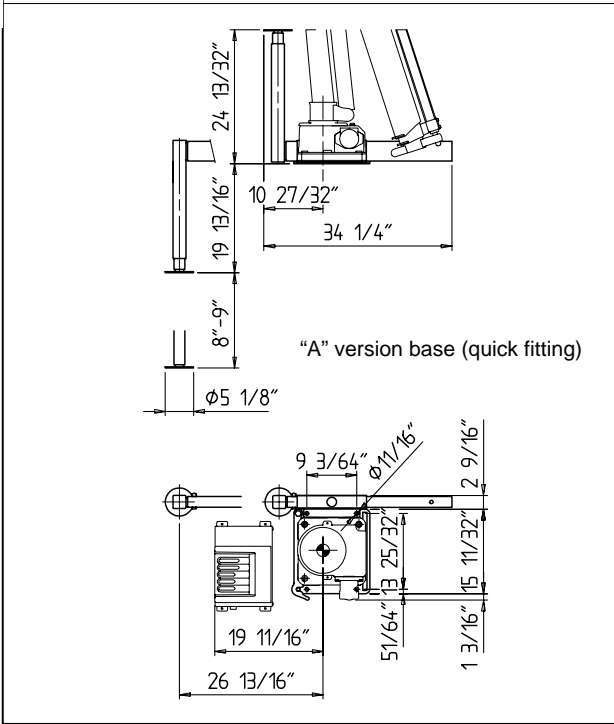
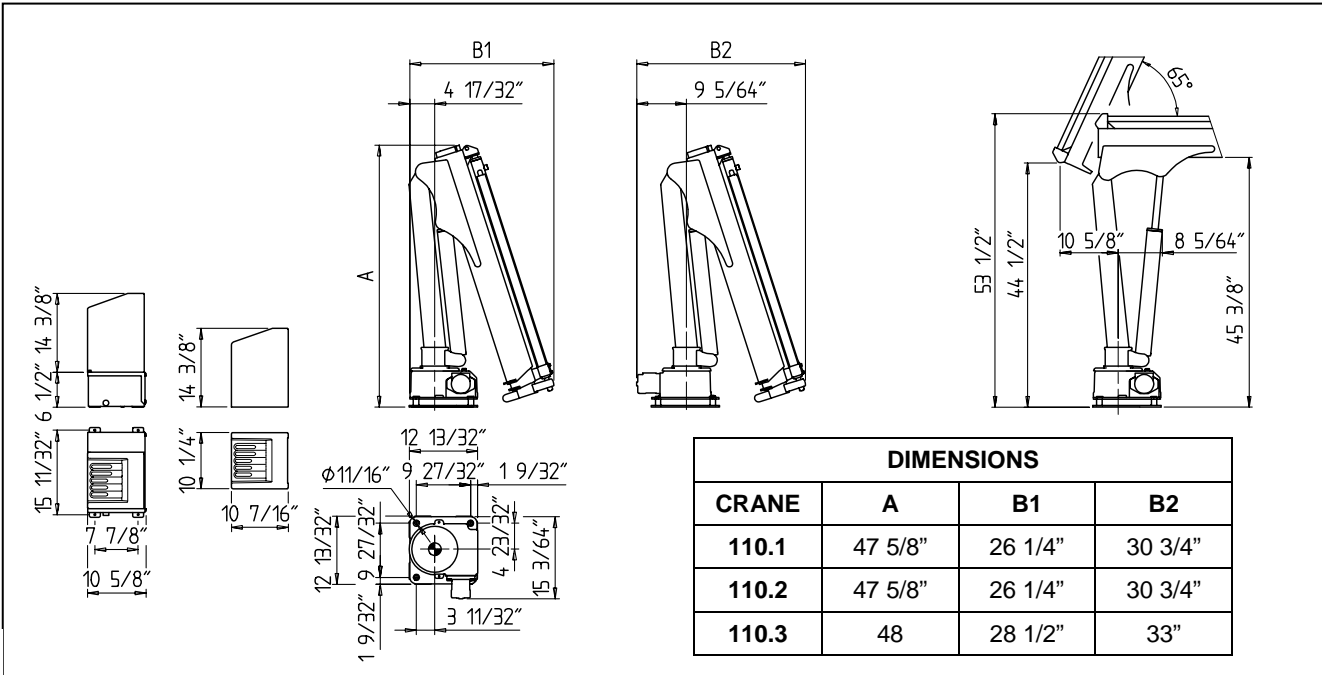
110

Cod.: MP.0.164 US
Rev.: 0



Next Hydraulics®





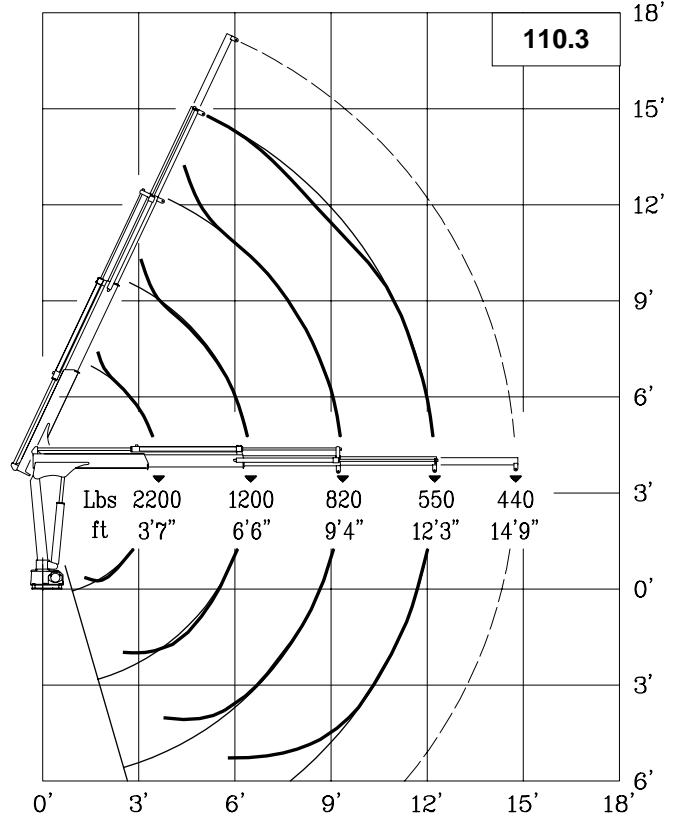
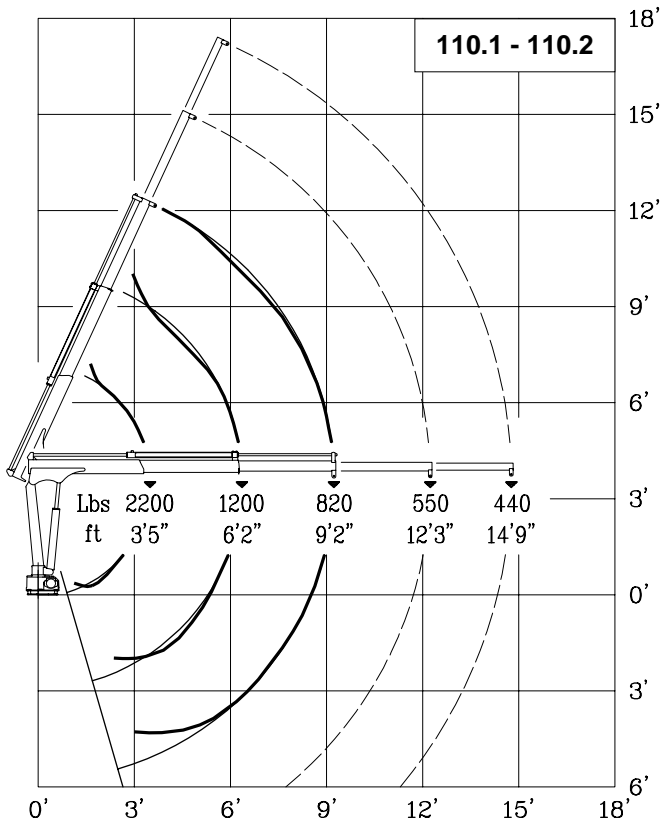
TECHNICAL DATA	U.M.	VERSION					
		110 M	110 E	110.1 ERS-H	110.2 ERS-H	110.3 ERS-H	
CRANE RATING	ft lbs	7400					
STANDARD EXTENSIONS Nr (HYDRAULICS)	N°	2M	2M	1H+1M	2H	3H	
STANDARD OUTREACH	ft	9' 2"	9' 2"	9' 2"	9' 2"	12'3"	
SLEWING ANGLE	°	330°					
MAXIMUM ANGLE SLOPE	°	5°					
SLEWING TORQUE	ft lbs	885					
MAX. LIFTING HEIGHT FROM CRANE BASE	ft	11' 2"	11' 2"	11' 2"	11' 2"	14'5"	
SUGGESTED OIL FLOW	gpm	1÷1.6					
MAX. WORKING PRESSURE	p.s.i.	2900					
BASIC CRANE WEIGHT	VERS. "H" VERS. "E"	lbs	230	220	230 275	275 320	340 385
"A" VERS. BASE WEIGHT (QUICK FITTING , 1 MECH. JACK)	lbs	90					
"B" VERS. BASE WEIGHT WITH EXTENDABLE STABILIZERS	lbs	140÷195					
BEAM WEIGHT WITH 2 EXTENDABLE STABILIZERS	lbs	130÷135					
MOTOR ABSORPTION FOR ELECTROHYDR. CRANE 12V	A min/max	-	30/125	70/160	70/160	70/160	
MOTOR ABSORPTION FOR ELECTROHYDR. CRANE 24V	A min/max	-	15/60	35/75	35/75	35/75	

WINCH SPECIFICATIONS	U.M.	
MAX. WINCH SINGLE LINE CAPACITY (3 rd LAYER)	lbs	660
ROPE DIAMETER	inches	7/32"
ROPE LENGTH	ft	39' 4"
WINCH KIT WEIGHT	lbs	33

VERSION	DESCRIPTION
"M"	MANUAL
"E"	ELECTROHYDRAULIC (LIFTING-ONLY)
"ERS" 12/24V	ELECTROHYDRAULIC
"H"	HYDRAULIC

OPERATING TIMES										
VERS.	SLEWING (rpm)	LIFTING (sec)		LOWERING (sec)	EXTENSION OUT (sec)			EXTENSION IN (sec)		
		p min	p max		110.1	110.2	110.3	110.1	110.2	110.3
"ERS" 12/24	2.5	13	30	14	7	18	25	5	13	18
"H" (PTO)	2.5	13		14	7	18	25	5	13	18

p min: min. working pressure
p max: max. working pressure



Lifting class HC1 – HD4/B2



by Next Hydraulics Via Mediterraneo n°6, 42022 Boretto (R.E.) Italy

Tel.: +39.0522.963008, Fax.: +39.0522.963039 <http://www.maxiliftcrane.com> E-mail: info@maxiliftcrane.com