

# PK 15002

Performance

**PALFINGER**



FLEXIBILITY AND EFFICIENCY  
ARE ITS STRENGTHS





# IT PROVES ITS RELIABILITY IN CONTINUOUS SERVICE ON THE CONSTRUCTION SITE

Whether in the municipal sector, handling building materials or on the construction site, the PK 15002 *Performance* is your reliable partner. Easy maintenance, quality and reliability are the result of decades of research and development. PALFINGER proves this with the thoughtfully designed technical details such as the proven Power Link System, the new Functional Design Package and other technical highlights.





# THE PK 15002 *PERFORMANCE* UNDERLINES THE INNOVATIVE PROWESS OF PALFINGER

## Return oil use

By using of the return oil flow in the extension system, the operating speed is increased by 30 per cent.



## Hose equipment for accessories

With this option you can provide the oil supply to accessories. The hoses are routed in compact troughs and plastic link chains. They are thus optimally protected.



## Internally routed oil ducts

On the multiple extensions there are no hydraulic hoses between the cylinders. The internally routed oil passages make it possible to have a compact boom design.

## Extension system

The extension cylinders are guided in Jordal rails over rollers.



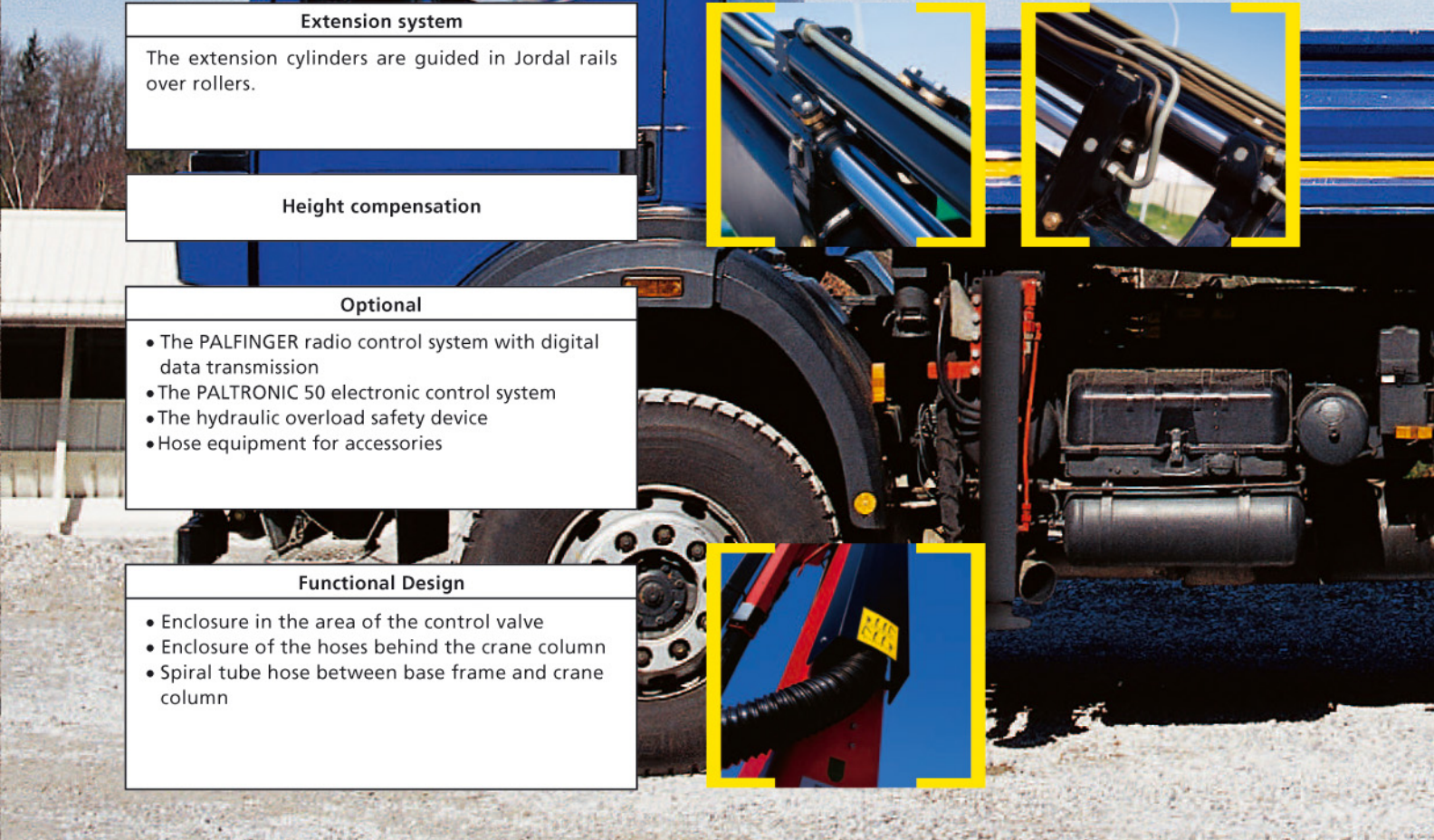
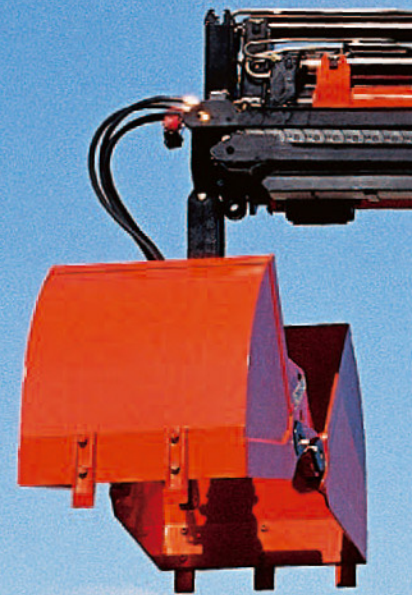
## Height compensation

## Optional

- The PALFINGER radio control system with digital data transmission
- The PALTRONIC 50 electronic control system
- The hydraulic overload safety device
- Hose equipment for accessories

## Functional Design

- Enclosure in the area of the control valve
- Enclosure of the hoses behind the crane column
- Spiral tube hose between base frame and crane column





# WELL SUPPORTED BY MORE THAN 1400 PALFINGER CONTRACT PARTNERS WORLDWIDE

## Ergonomic crane control

The operating levers for all crane functions are ergonomically arranged on the control console. This provides comfortable, efficient working. The control console is positioned so that it is easy to service.



## Load-holding valves

They prevent the crane boom from dropping and are fitted as standard on both lifting and extension cylinders. The valves are positioned in such a way that they are protected from accidental damaged.

## Control valve

It functions proportionally, is ergonomically arranged and the low leverage force permits very sensitive crane control.

## Central lubrication

For all bearings on the base frame.

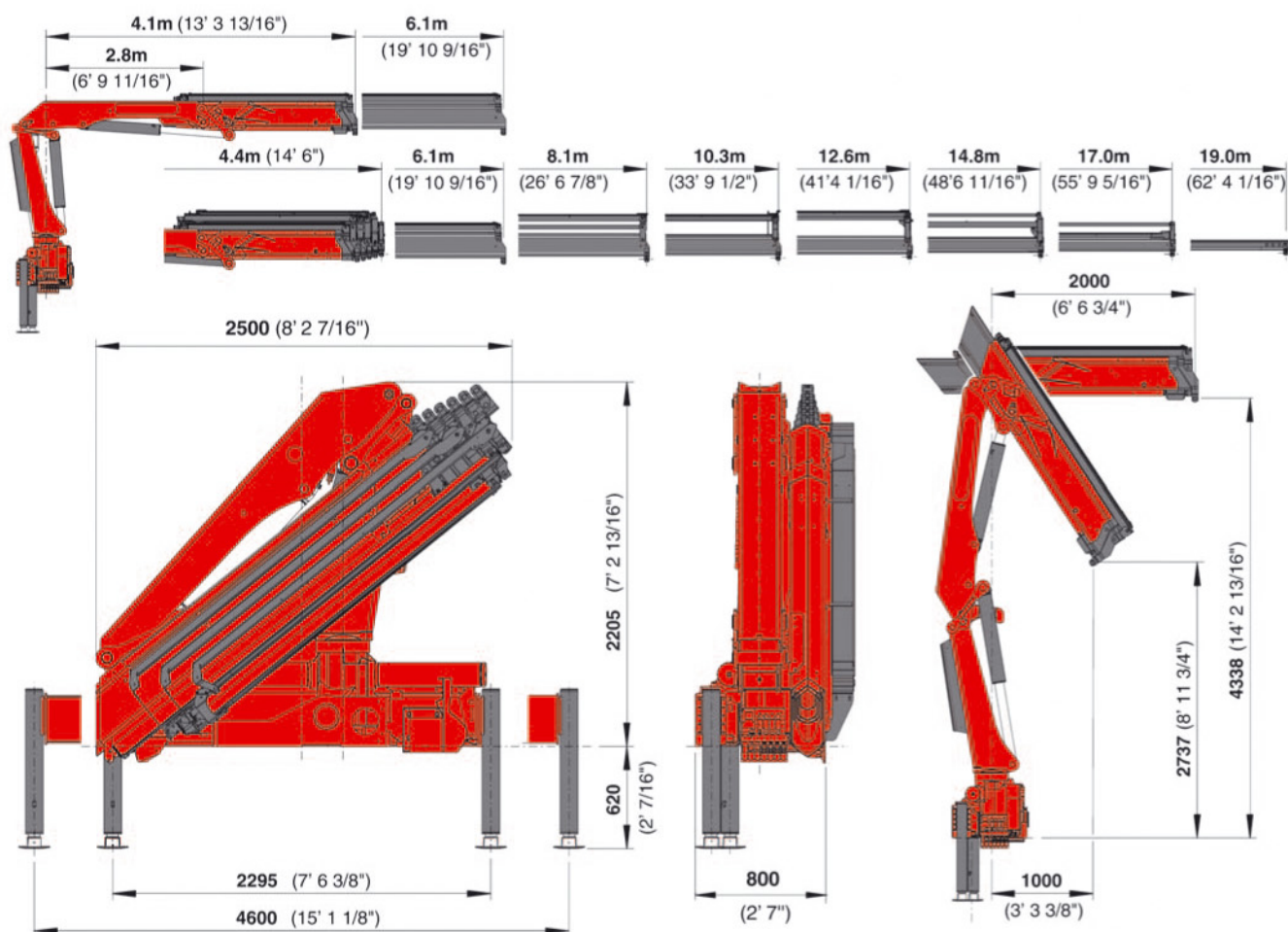
## Outrigger widths

The PK 15002 *Performance* fits to all normal truck chassis designs. Three outrigger widths are possible: 4.6 m (15'1") mechanical, 5.6 m (18'4") respectively 6.6 m (21'8") hydraulic.





# A REAL PALFINGER, INCORPORATING DECADES OF PRACTICAL EXPERIENCE!



## PK 15002 Performance

### Technical specifications (DIN 15018 H1-B3)

Max. lifting moment	13.9 mt/136.4 kNm	100570 ft.lbs
Max. lifting capacity	6200 kg/60.8 kN	13670 lbs
Max. hydraulic outreach	17.0 m	55' 9"
Maximum outreach	0.0 m	0' 0"
Slewing angle	420°	

## PK 15002 Performance

### Standard crane

Slewing torque	1.8 mt/17.7 kNm	13050 ft.lbs
Stabilizer spread standard	4.6 m	15' 1"
Stabilizer spread maximum	6.6 m	21' 8"
Fitting space required	0.80 m	2' 7"
Width folded	2.5 m	8' 2"
Operating pressure	300 bar	4350 psi
Recommended pump capacity	from 40 l/min.	8.8 imp.gal./min. 10.6 US gal./min
by radio remote control and LS-System	to 60 l/min.	13.2 imp.gal./min. 15.9 US gal./min
Dead weight (without mounting parts, pump and oil)	1647 kg	3630 lbs

Executions shown in the leaflet are not always corresponding to standard execution. Country-specific regulations are to be observed upon attachment.



# THE PK 15002 PERFORMANCE ALREADY MEETS THE REQUIREMENTS OF THE FUTURE EN 12999 CRANE STANDARD

## Max. lifting capacities

PK 15002 Performance			
hydraulic			
Outreach	Capacity		
1.6 m	6200 kg	5' 3"	13670 lbs
4.3 m	3210 kg	14' 1"	7080 lbs
5.9 m	2350 kg	19' 4"	5180 lbs

PK 15002 Performance A			
hydraulic			
Outreach	Capacity		
2.0 m	6100 kg	6' 7"	13450 lbs
4.3 m	3130 kg	14' 1"	6900 lbs
5.9 m	2210 kg	19' 4"	4870 lbs
7.9 m	1640 kg	25' 11"	3620 lbs

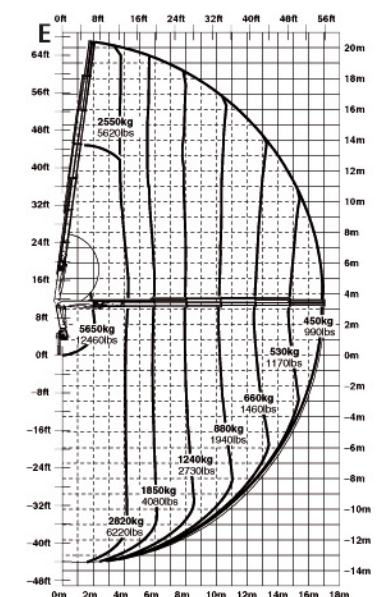
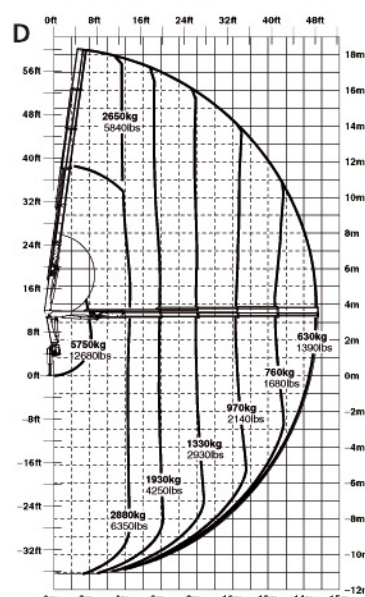
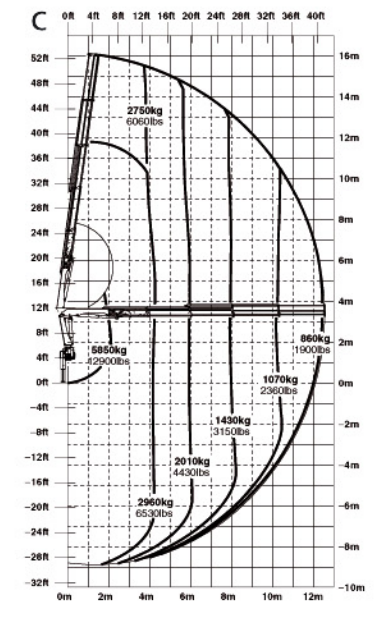
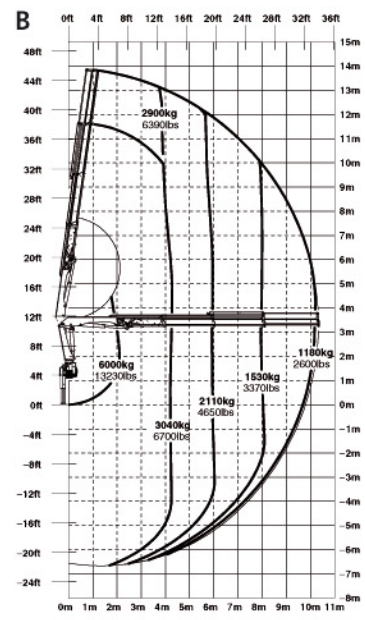
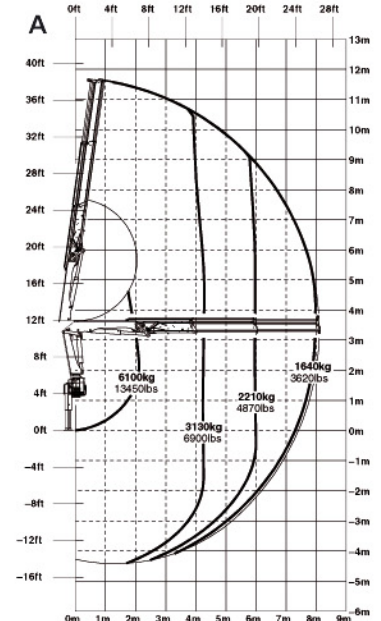
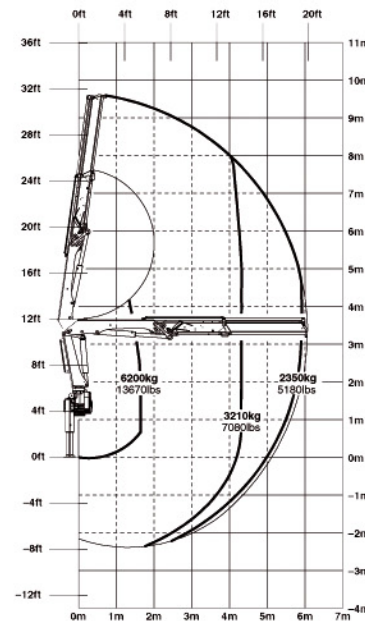
PK 15002 Performance B			
hydraulic			
Outreach	Capacity		
2.0 m	6000 kg	6' 7"	13230 lbs
4.3 m	3040 kg	14' 1"	6700 lbs
5.9 m	2110 kg	19' 4"	4650 lbs
7.9 m	1530 kg	25' 11"	3370 lbs
10.2 m	1180 kg	33' 6"	2600 lbs
manual			
12.4 m	900 kg	40' 8"	1980 lbs
14.6 m	700 kg	47' 11"	1540 lbs
16.8 m	570 kg	55' 1"	1260 lbs

PK 15002 Performance C			
hydraulic			
Outreach	Capacity		
2.0 m	5850 kg	6' 7"	12900 lbs
4.3 m	2960 kg	14' 1"	6530 lbs
5.9 m	2010 kg	19' 4"	4430 lbs
7.9 m	1430 kg	25' 11"	3150 lbs
10.2 m	1070 kg	33' 6"	2360 lbs
12.4 m	860 kg	40' 8"	1900 lbs
manual			
14.6 m	680 kg	47' 11"	1500 lbs
16.8 m	550 kg	55' 1"	1210 lbs
18.8 m	460 kg	61' 8"	1010 lbs

PK 15002 Performance D			
hydraulic			
Outreach	Capacity		
2.0 m	5750 kg	6' 7"	12680 lbs
4.3 m	2880 kg	14' 1"	6350 lbs
5.9 m	1930 kg	19' 4"	4250 lbs
7.9 m	1330 kg	25' 11"	2930 lbs
10.2 m	970 kg	33' 6"	2140 lbs
12.4 m	760 kg	40' 8"	1680 lbs
14.6 m	630 kg	47' 11"	1390 lbs
manual			
16.8 m	510 kg	55' 1"	1120 lbs
18.8 m	420 kg	61' 8"	930 lbs

PK 15002 Performance E			
hydraulic			
Outreach	Capacity		
2.0 m	5650 kg	6' 7"	12460 lbs
4.3 m	2820 kg	14' 1"	6220 lbs
5.9 m	1850 kg	19' 4"	4080 lbs
7.9 m	1240 kg	25' 11"	2730 lbs
10.2 m	880 kg	33' 6"	1940 lbs
12.4 m	660 kg	40' 8"	1460 lbs
14.6 m	530 kg	47' 11"	1170 lbs
16.9 m	450 kg	55' 1"	990 lbs
manual			
18.8 m	370 kg	61' 8"	820 lbs

## PK 15002 Performance



The reaches are indicated for a 20 main boom position and are therefore not the maximum ones.