



SCC8100 Operator Comfort

SANY

Quality equipment, superior customer support, global technologies... that's what makes SANY stand out. We are dedicated to designing and building the best equipment in the business.



Cab Features

Ergonomic cab with all steel construction, optimum visibility, tinted safety glass throughout, and rubber floor mat. The cab has a sliding door on the left side. The deluxe six-way adjustable seat is equipped with a mechanical suspension and includes head and arm rests. Arm rests can be adjusted with the seat.



Sany Designed LMI

The SANY designed LMI has an extra large display screen featuring both lifting and travel modes as well as many operator aids, including Anti-two block and function lockout.



SANY America, unveiled it's North American manufacturing and support facility in 2011. The plant will incorporate global technologies throughout engineering, manufacturing, finishing, testing in these support facilities. The latest SANY quality assurance procedures will be applied to every product manufactured here.



The Shapes of Things to Come. SANY...Investing in America.



SANY

100 World Dr. Suite 218, Peachtree City, GA 30269
Tel: 678-251-2869 Fax: 770-631-7731 • Email: sales@sanyamerica.com • www.sanyamerica.com

SCC8100-3a-11 © SANY 2011



SANY
AMERICA INC.



Crawler
Crane
SCC8100

Superior Design. Performance. Support.

SCC8100 Features

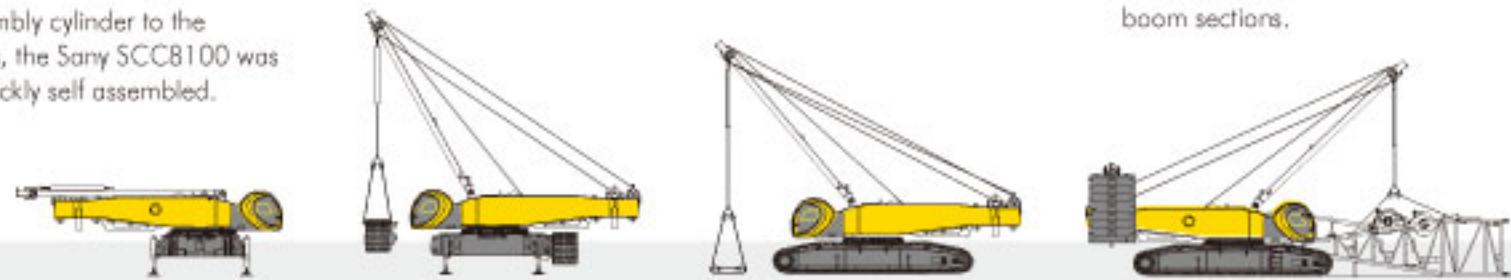


Operator Aids

Sany Crawler Cranes feature comprehensive operator aids including: Anti-Two Block (ATB), 3-Wrap Protection, Assembly/Working Mode Switch, Boom Limit, Winch Brake, Aircraft Warning Light, Anemometer, Level Indicator, Function Cut-out, Emergency Operating System, Optional Remote Monitoring System and Boom Walkways.

Self Assembly

From the self assembly cylinder to the carbody outriggers, the Sany SCC8100 was designed to be quickly self assembled.



Advanced Electronics

Sany designs and manufactures the electrical and intelligence systems to control quality, efficiency and performance.



Advanced Manufacturing

Robotic welds ensure repeatable, high quality welds throughout chassis, superstructure and all boom sections.

Specifications



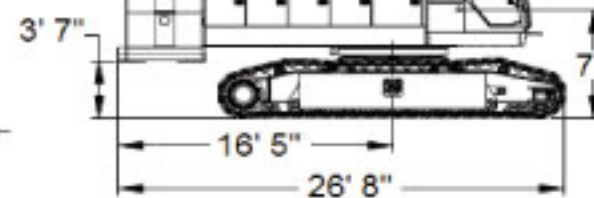
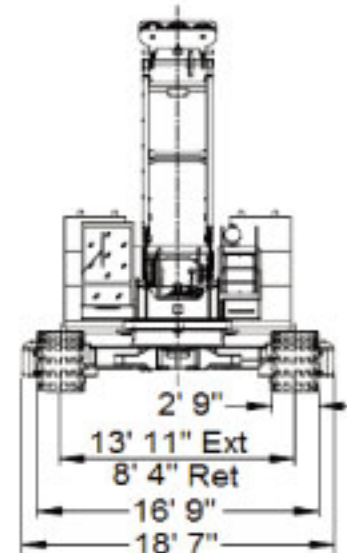
Comprehensive Testing

Third Party Verification to meet: Chinese National Standards European Union EN13000 United States ANSI B30.5



High Quality, Name Brand Components

Cummins engine coupled to **Rexroth** hydraulic components deliver high reliability and consistent performance. Wire Rope is from Diepa.



Engine	Cummins G8C8.3 Tier 3 diesel engine (Tier4 - optional) Rated power: 245 hp @ 2000 rpm Rated output torque: 935 lb-ft @ 1400 rpm 106 gallon diesel fuel tank
Hydraulic System	Electric-over-hydraulic control components for efficiency, energy savings and precise controls. Independent hydraulic oil cooler is standard. Rexroth load sense main valve and large drive motors.
System Voltage	24 Volt (2 x 12V batteries)
Swing System	Swing is driven by a single motor with large displacement and planetary gear reducer, automatic load centering and 360° rotation. The maximum swing speed is 2 rev/min.
Counterweights	Carbody counterweight: 22,050 lb total (2 counterweight blocks, 2 trays) Superstructure counterweight: 64,815 lb. total (6 counterweight blocks, 1 tray)



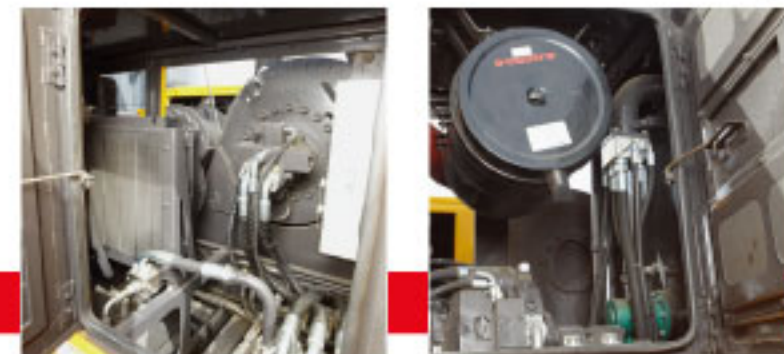
Main Boom and Jib

43-220 ft main boom length, Available in 19 boom lengths.

Maximum tip height 226 ft.

30-51 ft fixed jib, offsettable at 0, 20 or 40 degrees.

Maximum tip height is 235 ft.



SCC8100 MAIN BOOM (H) LOAD CHART										
Boom Length (ft)										
Load Rod (ft)	43	62	82	102	121	141	161	180	200	220
Capacity (lb)										
12	220,500									
14	185,000									
16	167,900	167,900								
18	152,200	148,300	144,400							
20	135,100	130,100	129,200							
22	118,500	115,800	111,300	108,000						
24	104,100	102,900	97,300	95,200	84,000					
26	92,900	91,600	89,300	85,200	80,400					
28	83,700	82,600	81,500	78,500	75,000					
30	76,100	75,200	74,100	71,200	69,400					
32	69,200	68,800	67,900	66,600	64,400	61,700				
34	64,300	63,400	62,500	61,900	59,900	59,500				
36	59,700	58,800	57,900	57,200	55,700	55,000	54,200			
38	55,600	54,700	53,900	53,100	52,000	50,600	49,500			
40	52,000	51,100	50,500	49,600	48,800	47,000	46,200	45,600		
42	47,800	48,100	47,400	46,500	45,600	44,600	43,700	43,100	40,800	
44		45,200	44,600	43,800	42,900	42,200	41,300	40,500	39,100	
46		42,600	42,000	41,300	40,400	39,800	38,900	38,000	36,900	33,900
48		40,400	39,800	39,100	38,200	37,400	36,700	35,800	34,800	32,800
50		38,400	37,700	37,000	36,200	35,300	34,700	33,800	33,000	31,200
55		33,600	33,100	32,500	31,800	31,200	30,300	29,600	28,800	27,200
60			29,500	29,100	28,200	27,500	26,900	26,000	25,300	24,100
65				26,500	26,100	25,200	24,500	23,900	23,200	21,400
70					24,000	23,400	22,700	22,100	21,400	19,900
75						21,900	21,300	20,700	19,900	18,600
80							19,600	18,900	18,100	17,700
85								17,900	17,200	16,600
90									16,500	15,700
95										14,400
100										
105										
110										
115										
120										
125										
130										
140										
150										
160										
170										

