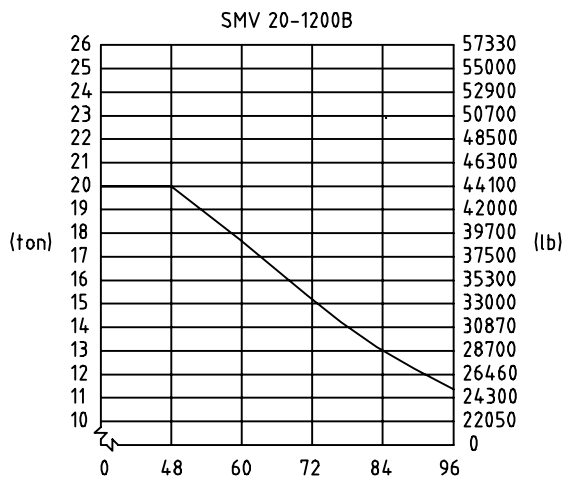
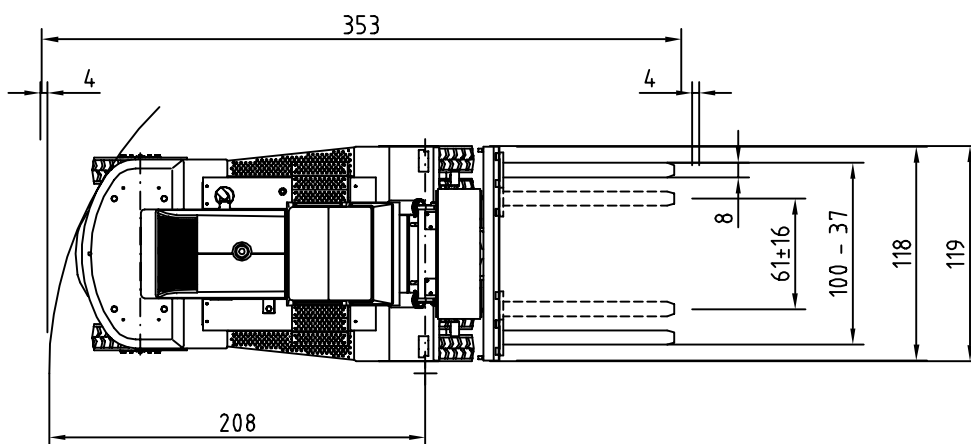
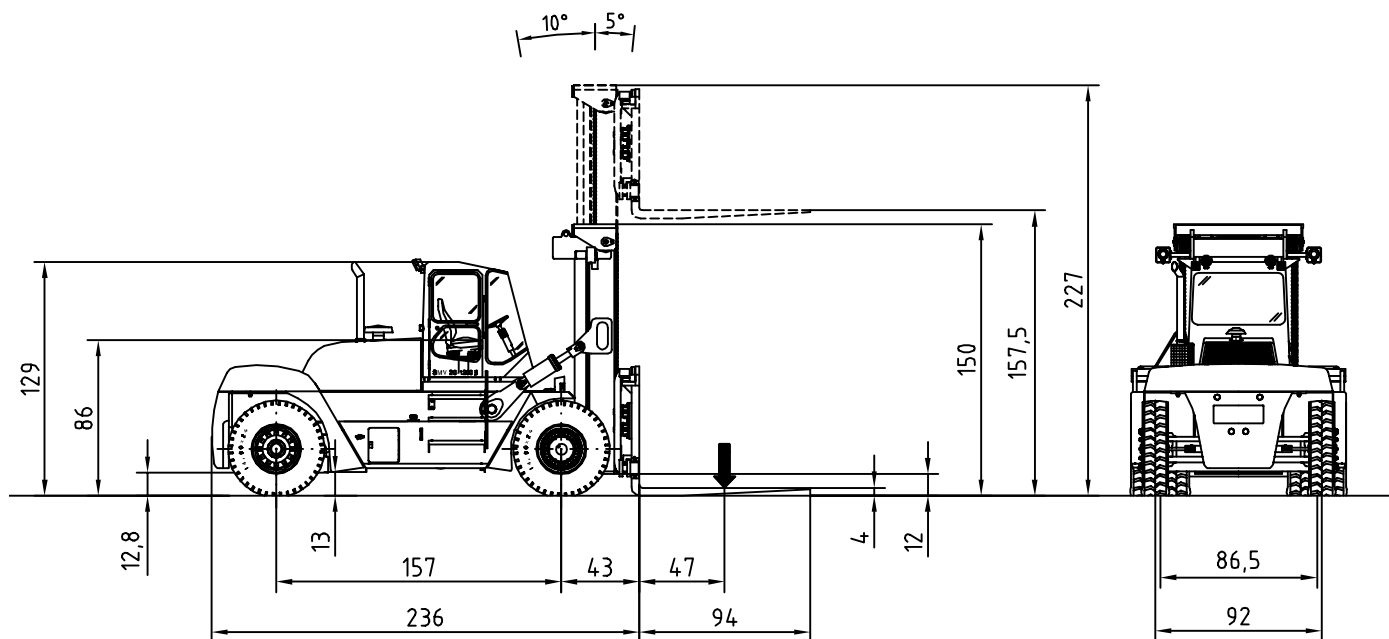


## TECHNICAL DATA

<b>Lifting data</b> Lift capacity / loadcenter (up to 354 ins standard mast) Lift speed, unloaded / at rated load Lowering speed, unloaded / at rated load	lbs / ins fpm fpm	44000 / 48 59 / 49 79 / 79
<b>Speeds</b> Speed forward, unloaded / at rated load Speed reverse, unloaded / at rated load Incline, driving ability / at rated load at 0 mph / 1.3 mph Towing ability at rated load at 0 mph / 1.3 mph	mph mph % lbf	18.3 / 17.5 18.3 / 17.5 39 / 30 44100 / 33100
<b>Service weight / Axle load</b> Service weight Axle load front, unloaded / at rated load Axle load rear, unloaded / at rated load	lbs lbs lbs	69460 36820 / 106060 32640 / 7400
<b>Engine (electronically controlled)</b> Make / type designation Fuel / type of engine Power ISO 3046 / at speed Torque ISO 3046 / at speed Displacement / no. of cylinders Alternator, type / power Battery, voltage / capacity Fuel consumption, normal driving	hp / rpm lb ft / rpm L W / Amp V / Ah gph	Cummins QSB 6.7 Tier III Diesel / 4 - stroke 260 / 2300 730 / 1500 6.7 / 6 AC / 2240 / 80 2 x 12 / 140 2.6-3.2
<b>Transmission with electronic controlled gear shift</b> Make / type designation Clutch, type Transmission, type No. of gears, forward / reverse Drive axle, type		DANA / TE-17000 Torque converter Powershift 3 / 3 Kessler D91
<b>Wheels</b> No. of tires, front / rear Tire dimensions, front / ply Tire dimensions, rear / ply Pressure front and rear	In / No. In / No. psi	4 / 2 14.00 x 24" / PR 24 14.00 x 24" / PR 24 130
<b>Steering and brake system</b> Steering system Driving brake system, type / affected wheels Parking brake system, type / affected wheels		Servo assisted Wet disc brakes / Drive wheels Spring brake / Drive wheels
<b>Volumes</b> Fuel, net Hydraulic system	gal gal	74 83
<b>Hydraulic oil pressure</b> Noise level DIN 45635 (LM inside cab)	psi dB (A)	2900 70

# SMV 20-1200 B

# KONECRANES®



SMV 20-1200 B / US / 080125

SMV reserves the right to alter design and material specification without prior notice

050901 / 2

## KONECRANES LIFTTRUCKS AB

Box 103  
SE-285 23 Markaryd  
SWEDEN

Visitors address  
Anders Anderssons väg 13

Phone +46 433 73 300  
Fax +46 433 73 310

[www.konecraneslifttrucks.se](http://www.konecraneslifttrucks.se)

E-mail  
info.lifttrucks@konecranes.se